



US00D740088S

(12) **United States Design Patent**
Ishikawa et al.

(10) **Patent No.:** **US D740,088 S**

(45) **Date of Patent:** **** Oct. 6, 2015**

(54) **AGRICULTURAL MACHINE DRIVING APPARATUS**

D668,516 S * 10/2012 Landberg D8/8
D668,517 S * 10/2012 Landberg D8/8
D720,194 S * 12/2014 Jensen et al. D8/8

(71) Applicant: **HITACHI KOKI CO., LTD.**, Tokyo (JP)

* cited by examiner

(72) Inventors: **Megumi Ishikawa**, Ibaraki (JP);
Masanori Okada, Ibaraki (JP);
Hirohisa Tomita, Ibaraki (JP)

Primary Examiner — Cynthia Ramirez

(74) *Attorney, Agent, or Firm* — Sughrue Mion, PLLC

(73) Assignee: **HITACHI KOKI CO., LTD.**, Tokyo (JP)

(57) **CLAIM**

The ornamental design for agricultural machine driving apparatus, as shown and described.

(**) Term: **14 Years**

DESCRIPTION

(21) Appl. No.: **29/445,238**

FIG. 1 is a front, left, top perspective view of a first embodiment of an agricultural machine driving apparatus showing our new design;

(22) Filed: **Feb. 8, 2013**

FIG. 2 is a front view thereof;

(30) **Foreign Application Priority Data**

Aug. 10, 2012 (JP) 2012-019416

Aug. 10, 2012 (JP) 2012-019417

FIG. 3 is a rear view thereof;

(51) **LOC (10) Cl.** **08-01**

FIG. 4 is a left side view thereof;

(52) **U.S. Cl.**
USPC **D8/8**

FIG. 5 is a right side view thereof;

(58) **Field of Classification Search**
USPC D8/7-9; D15/17, 1; 30/276, 208-210,
30/228, 282-383; 56/12.7, 233-234
CPC A01D 34/4196; A01D 34/4166; A01D
34/4167; A01D 34/84; A01D 34/90
See application file for complete search history.

FIG. 6 is a top plan view thereof;

FIG. 7 is a bottom view thereof;

FIG. 8 is a reference perspective view thereof;

FIG. 9 is a reference perspective view thereof;

FIG. 10 is a front, left, top perspective view of a second embodiment of an agricultural machine driving apparatus showing our new design;

FIG. 11 is a front view thereof;

FIG. 12 is a rear view thereof;

FIG. 13 is a left side view thereof;

FIG. 14 is a right side view thereof;

FIG. 15 is a top plan view thereof;

FIG. 16 is a bottom view thereof;

FIG. 17 is a reference perspective view thereof; and,

FIG. 18 is a reference perspective view thereof.

The broken lines represent the portions of the design that form no part of the claim.

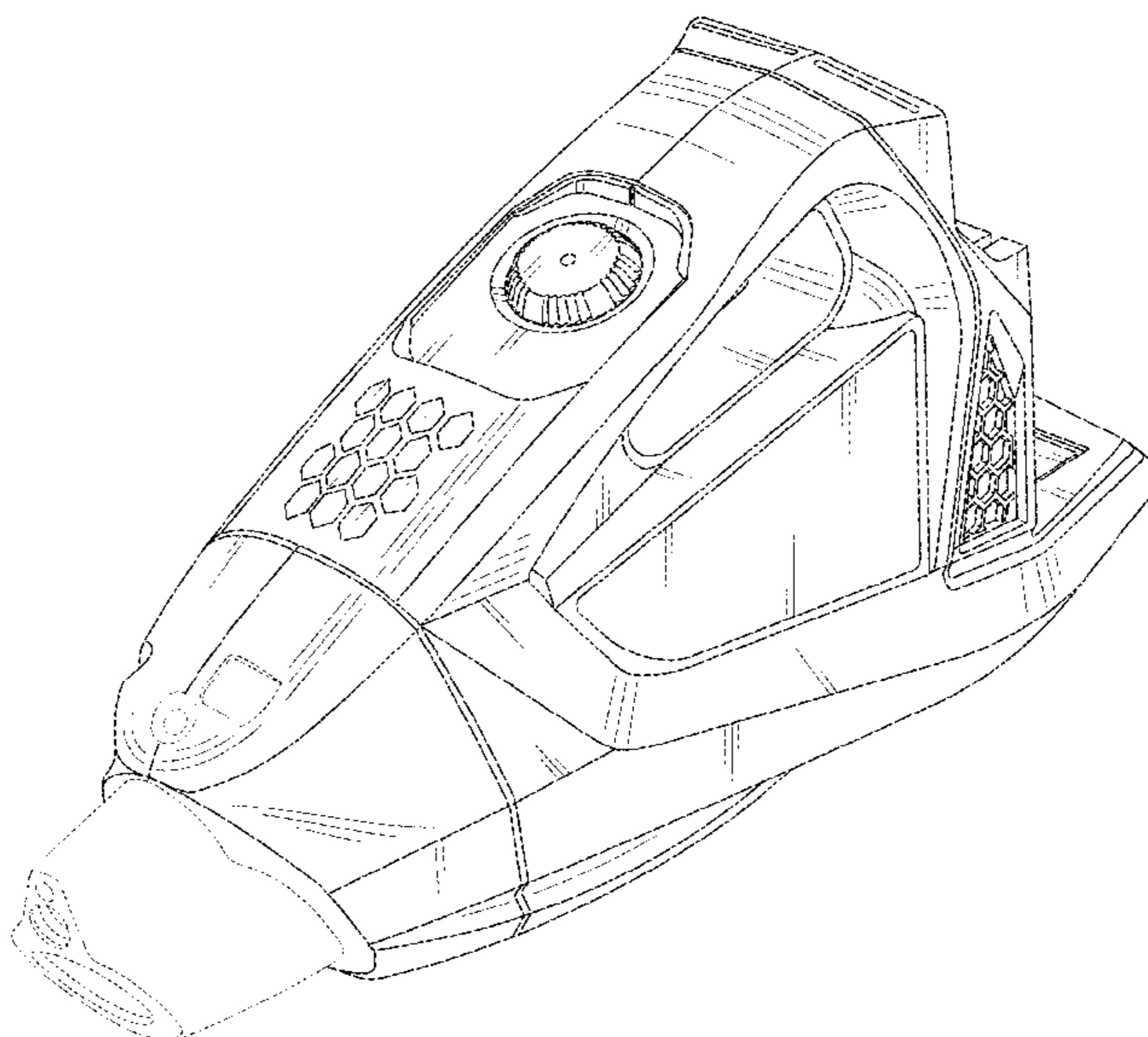
(56) **References Cited**

U.S. PATENT DOCUMENTS

D364,787 S * 12/1995 Kidwell et al. D8/8

D624,372 S * 9/2010 Misaki et al. D8/8

1 Claim, 18 Drawing Sheets



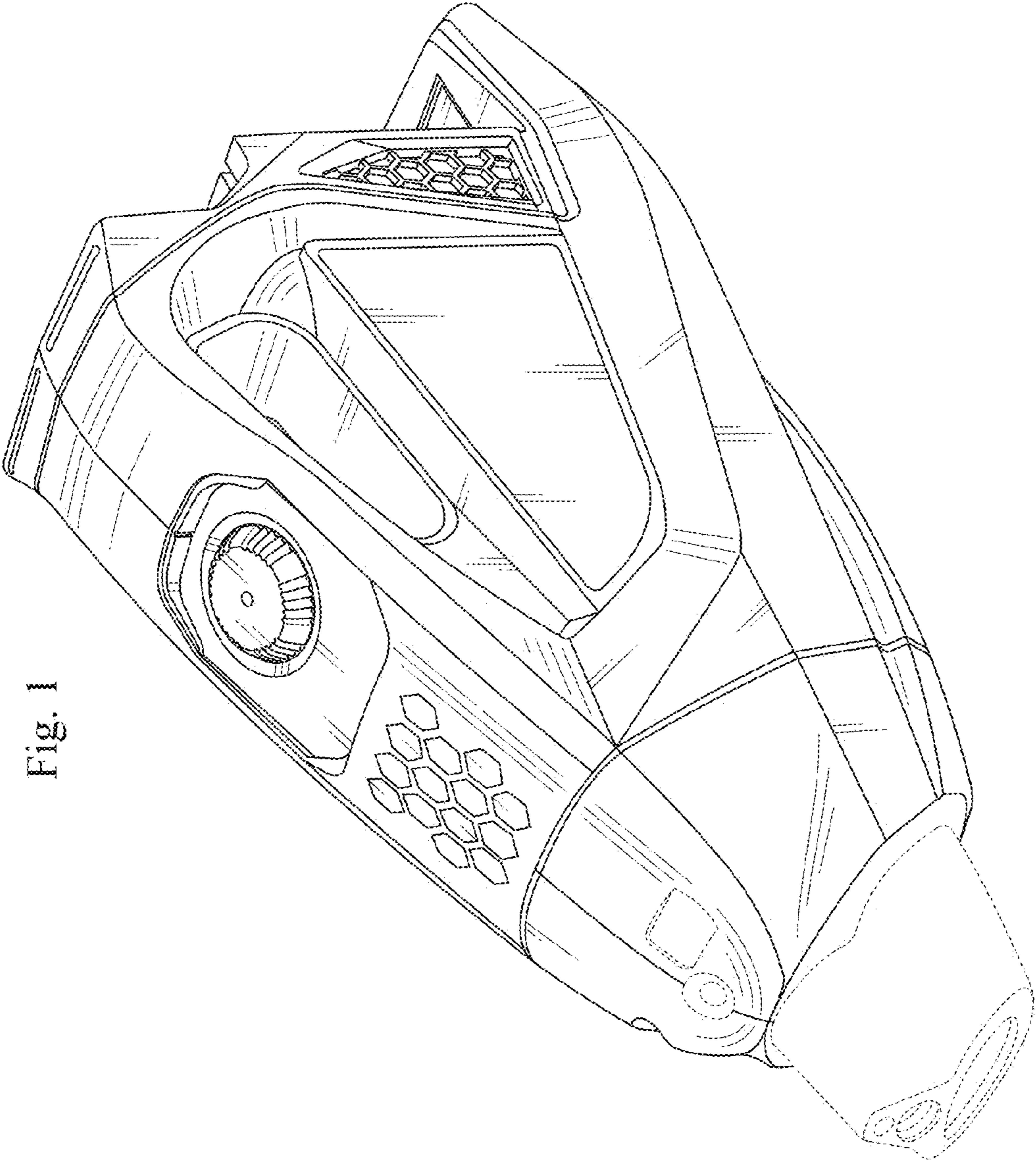


Fig. 1

Fig. 2

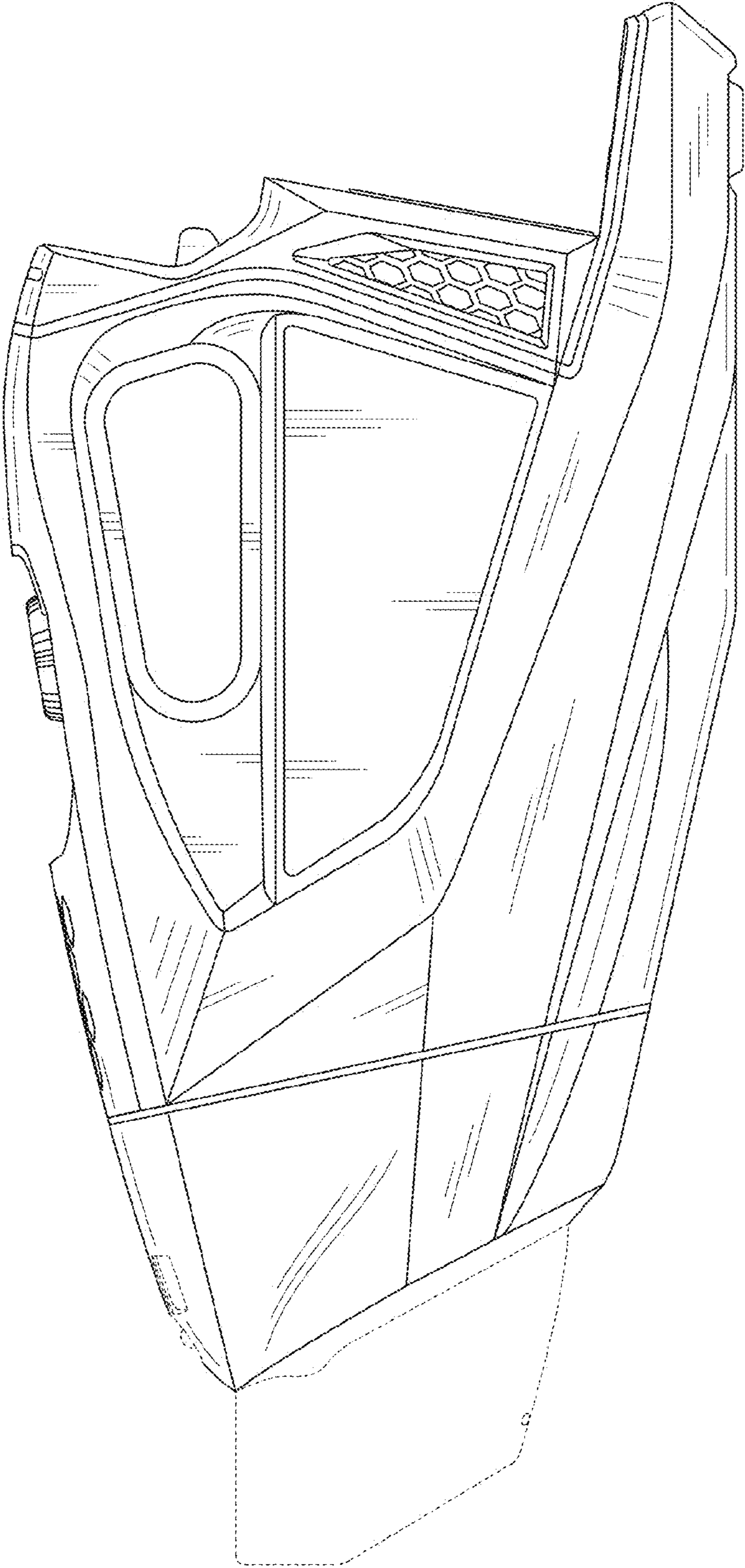


Fig. 3

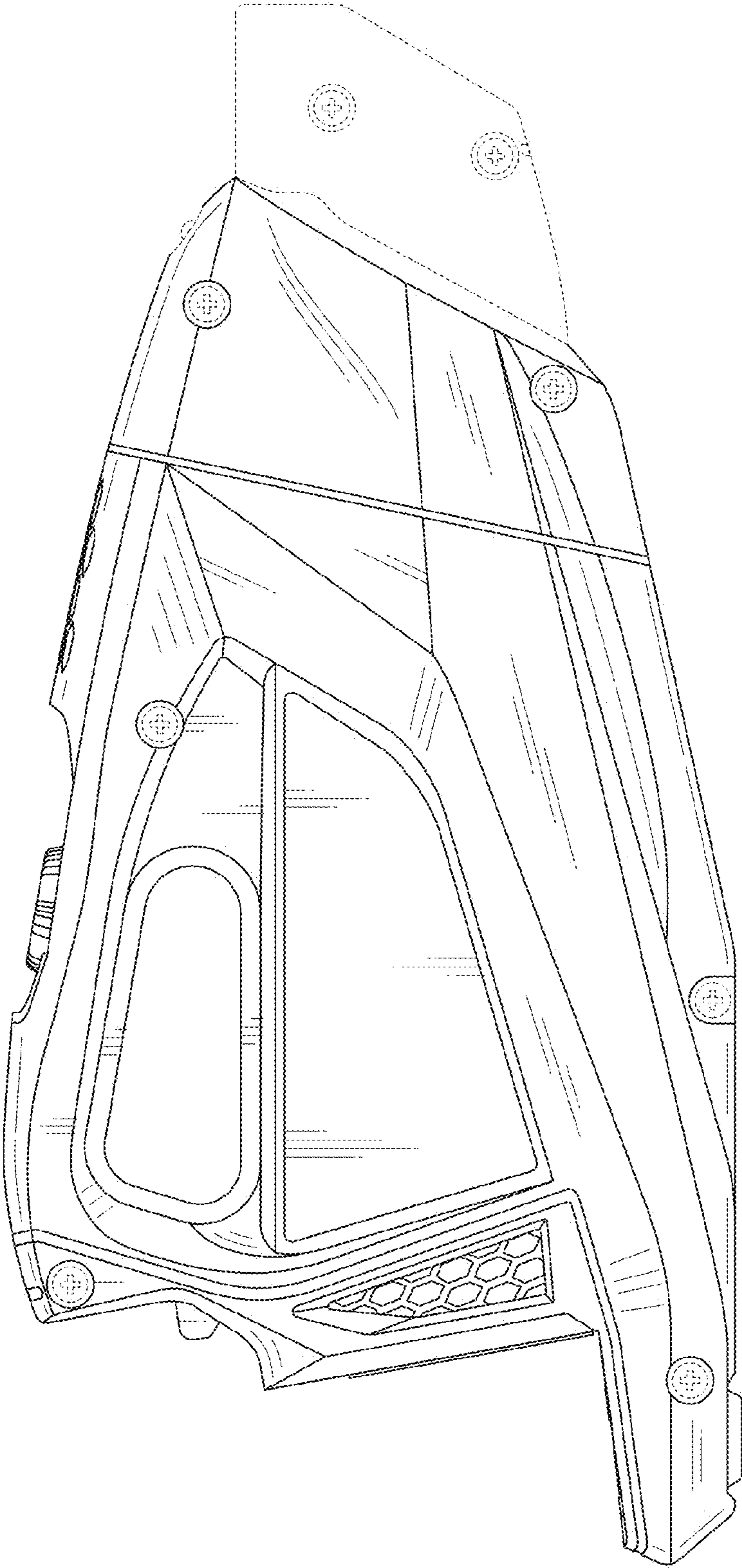


Fig. 4

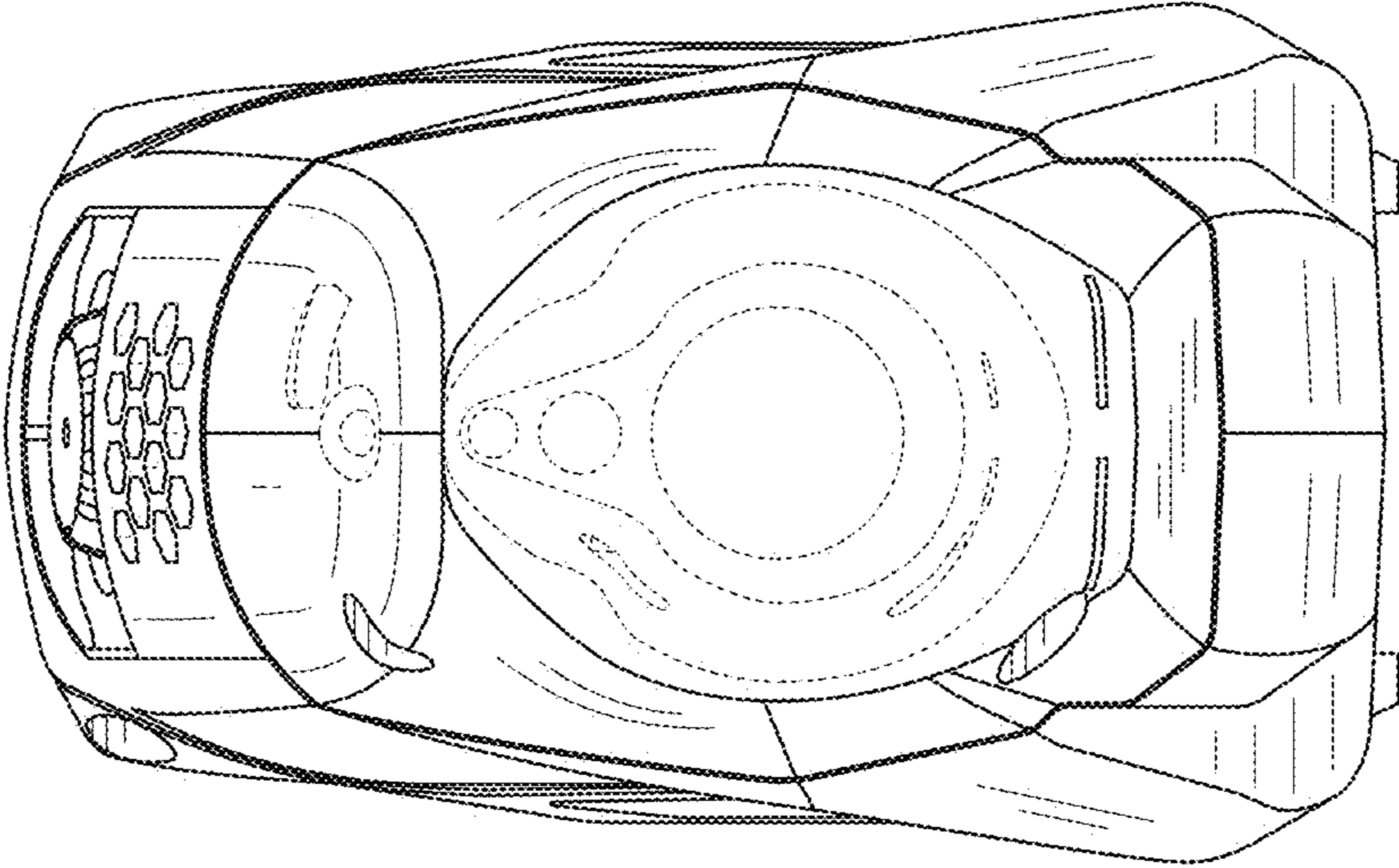


Fig. 5

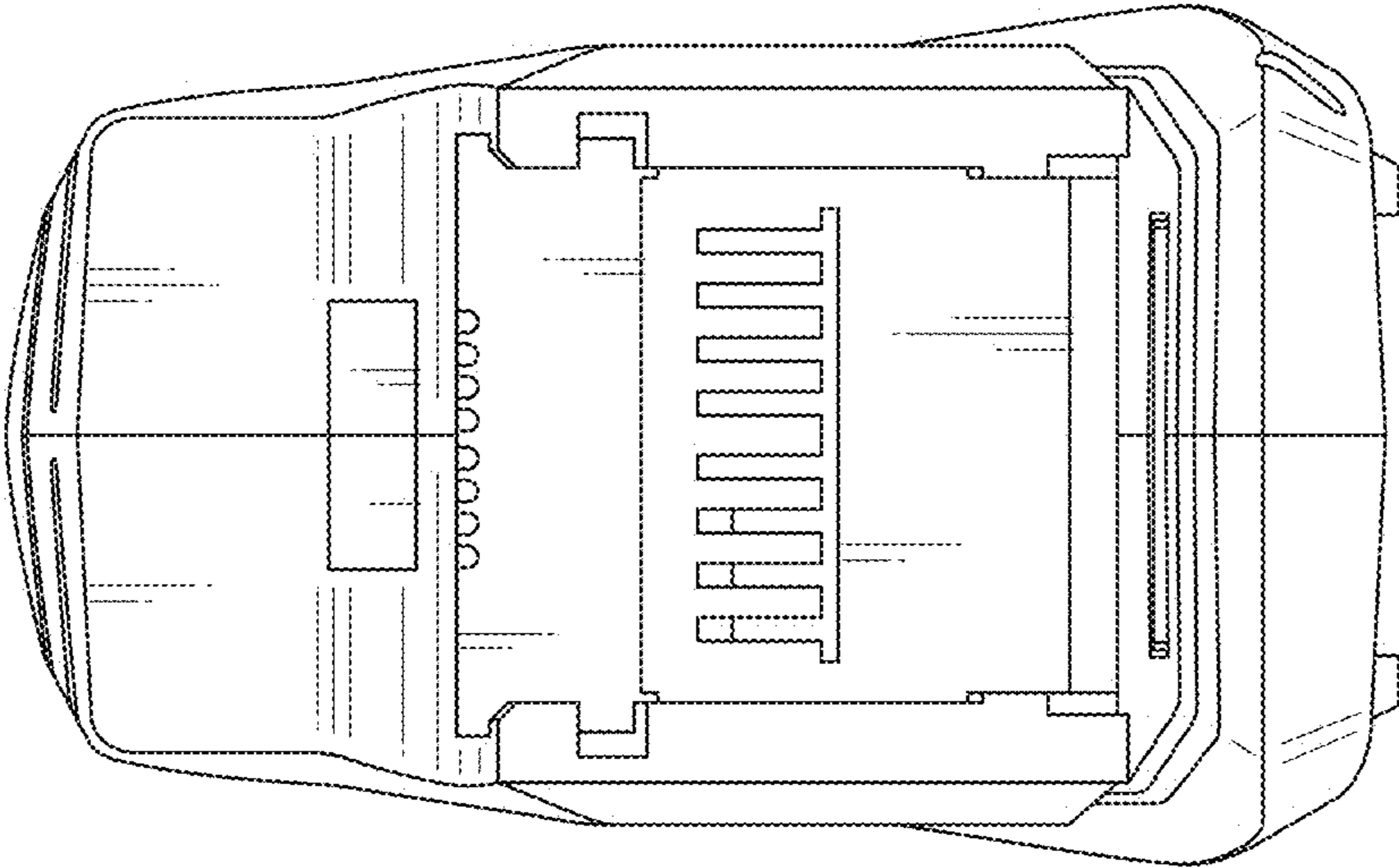


Fig. 6

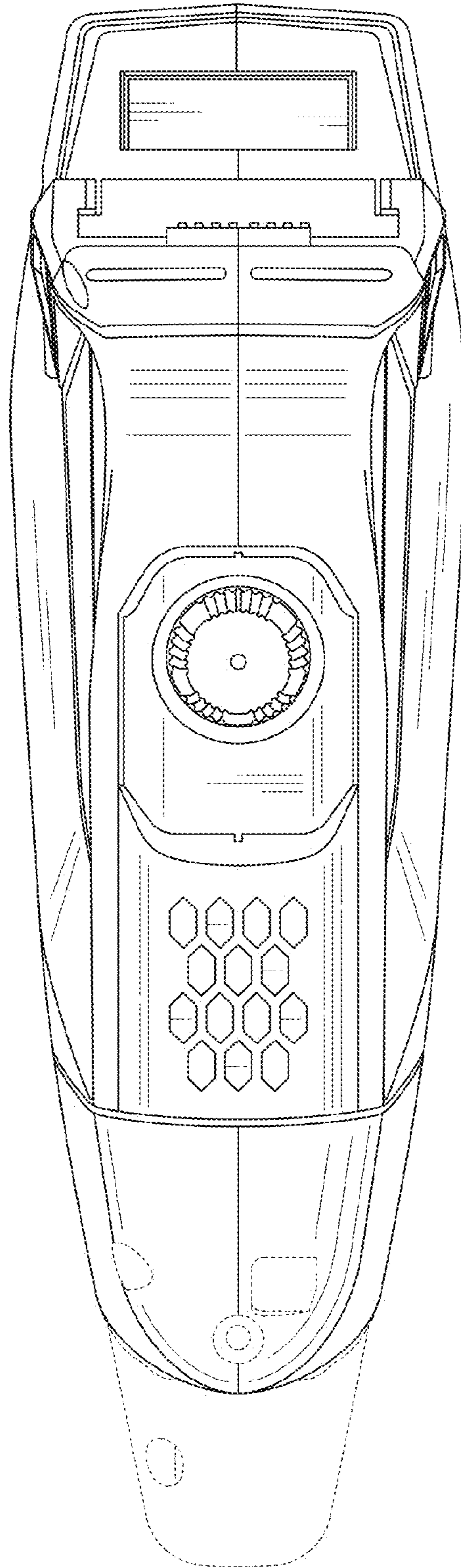


Fig. 7

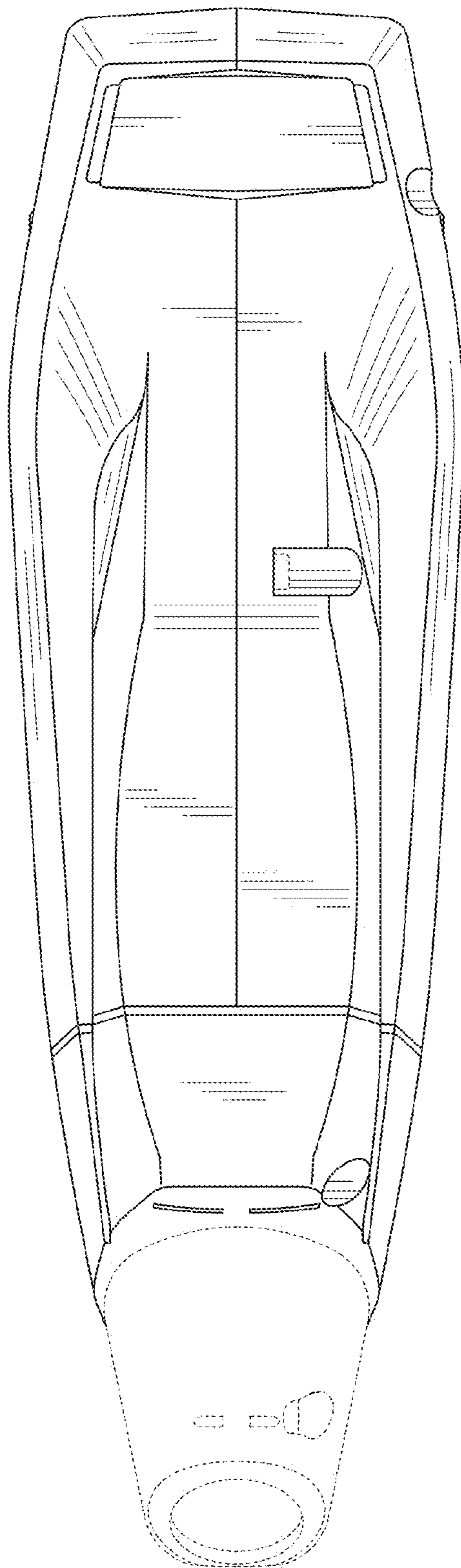


Fig. 8

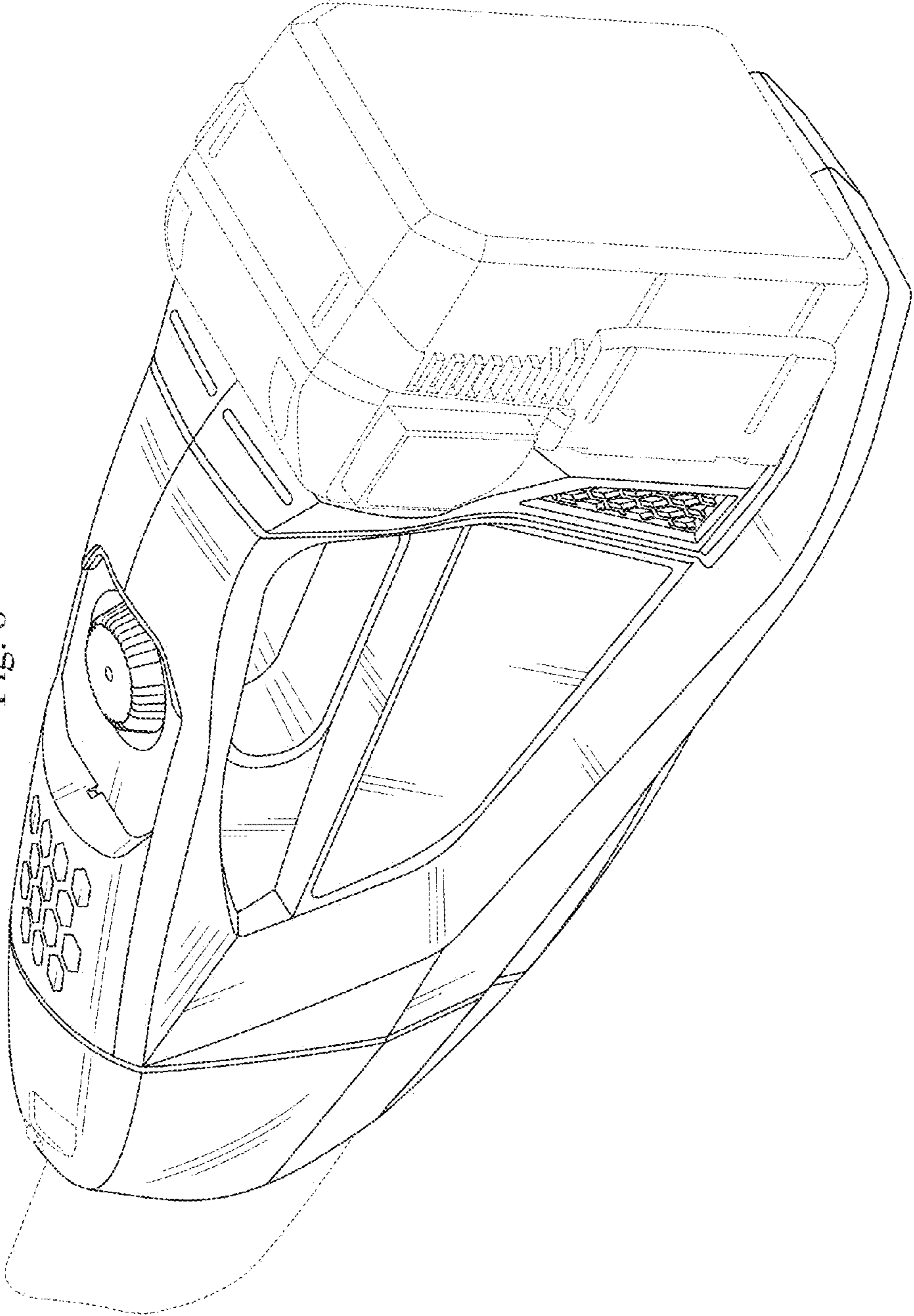
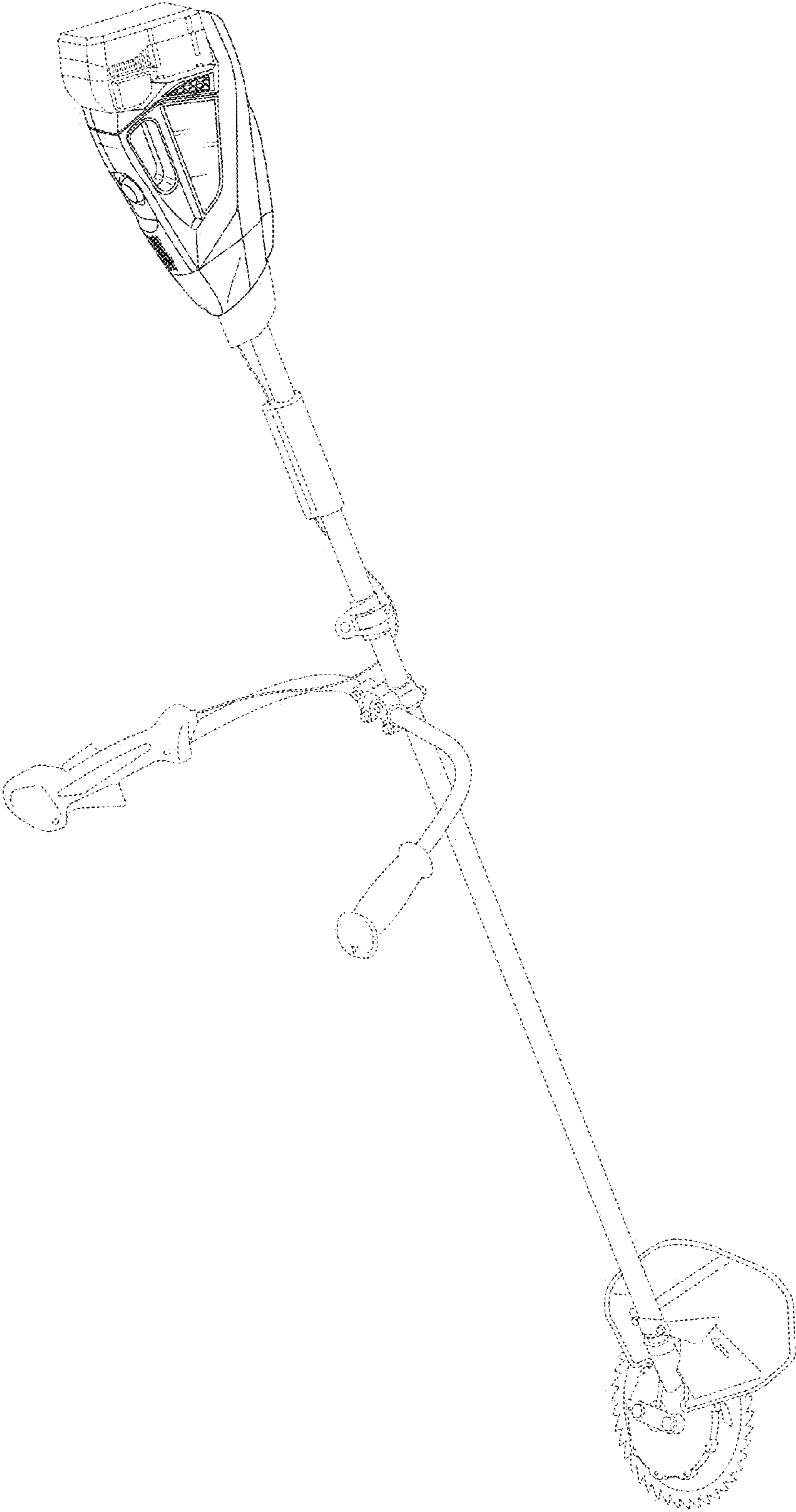


Fig. 9



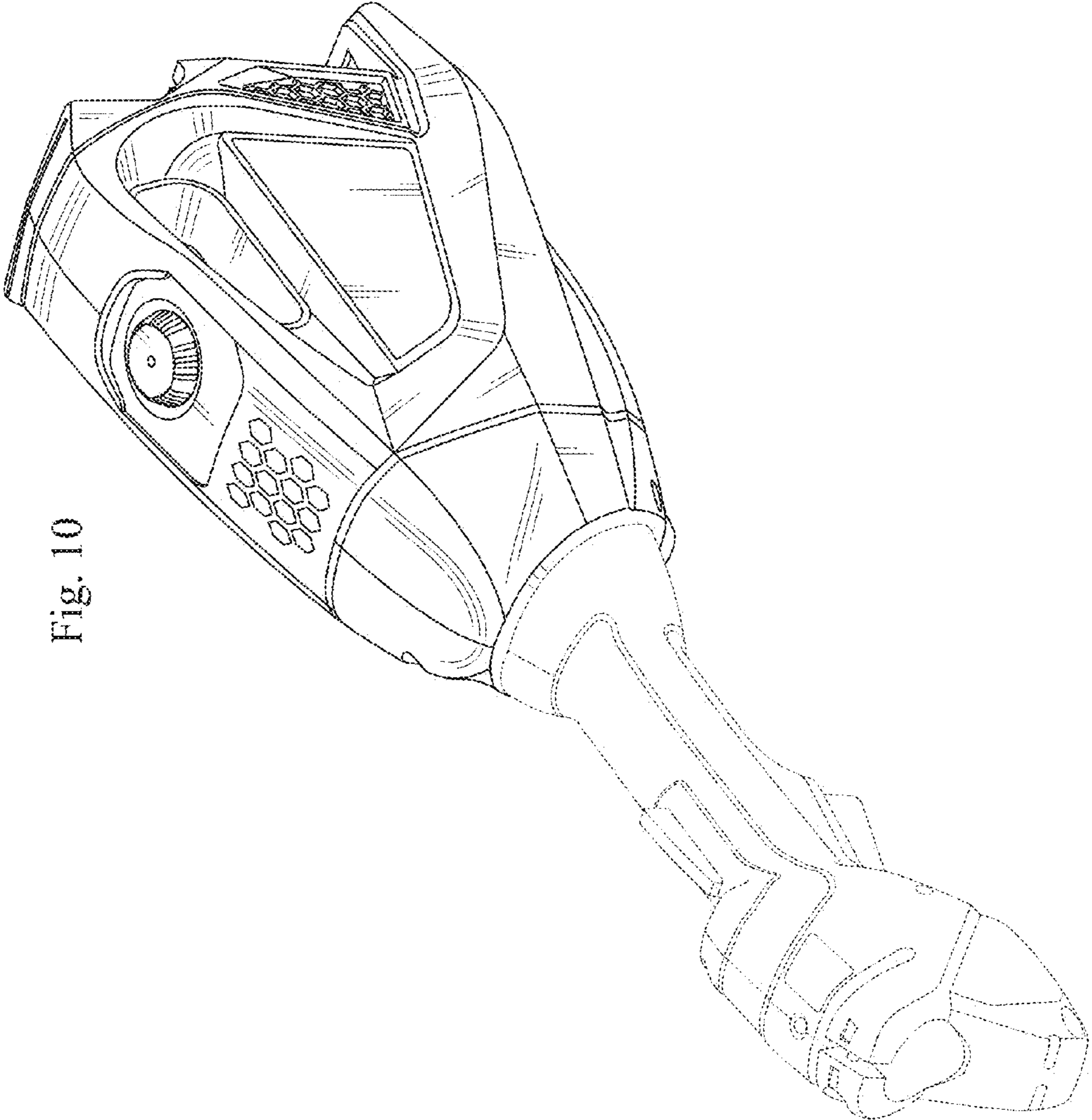
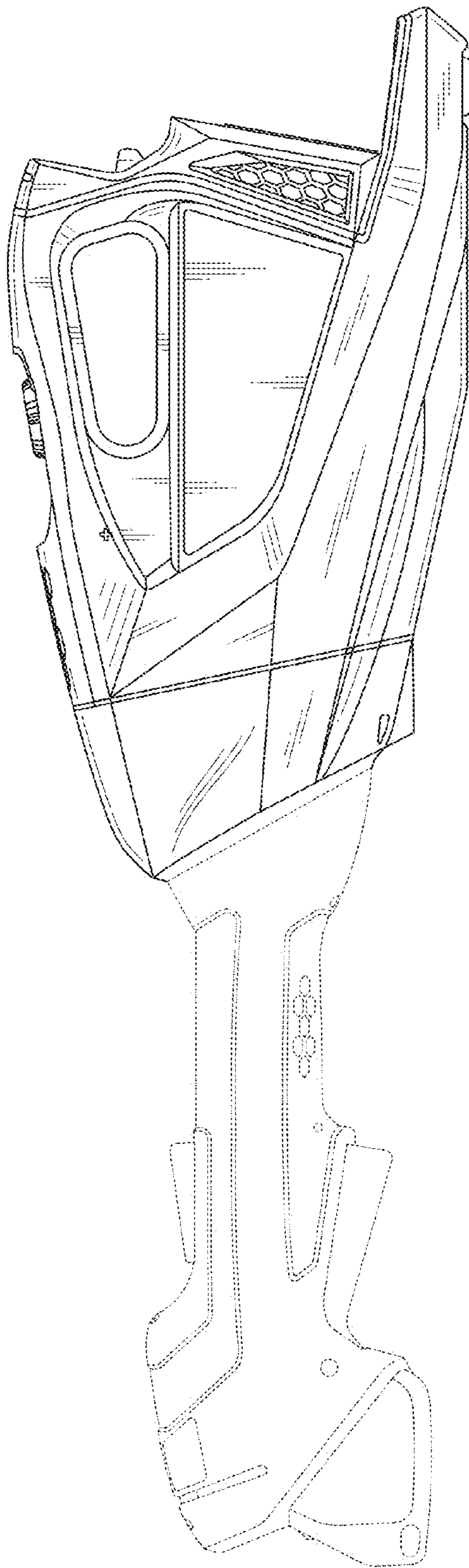


Fig. 10

Fig. 11



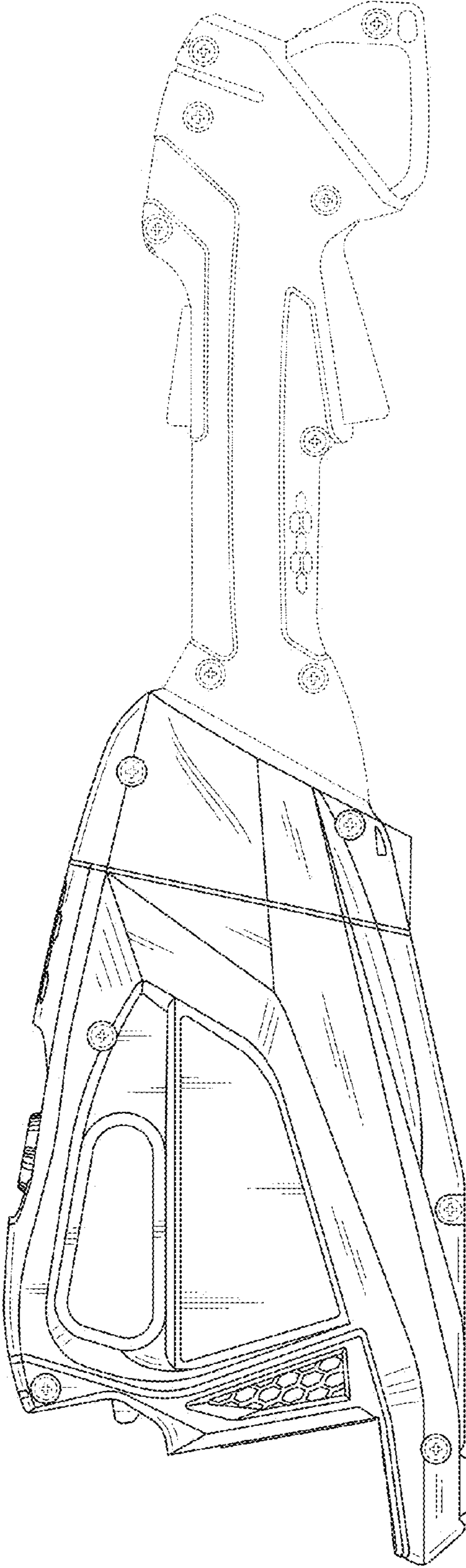


Fig. 12

Fig. 13

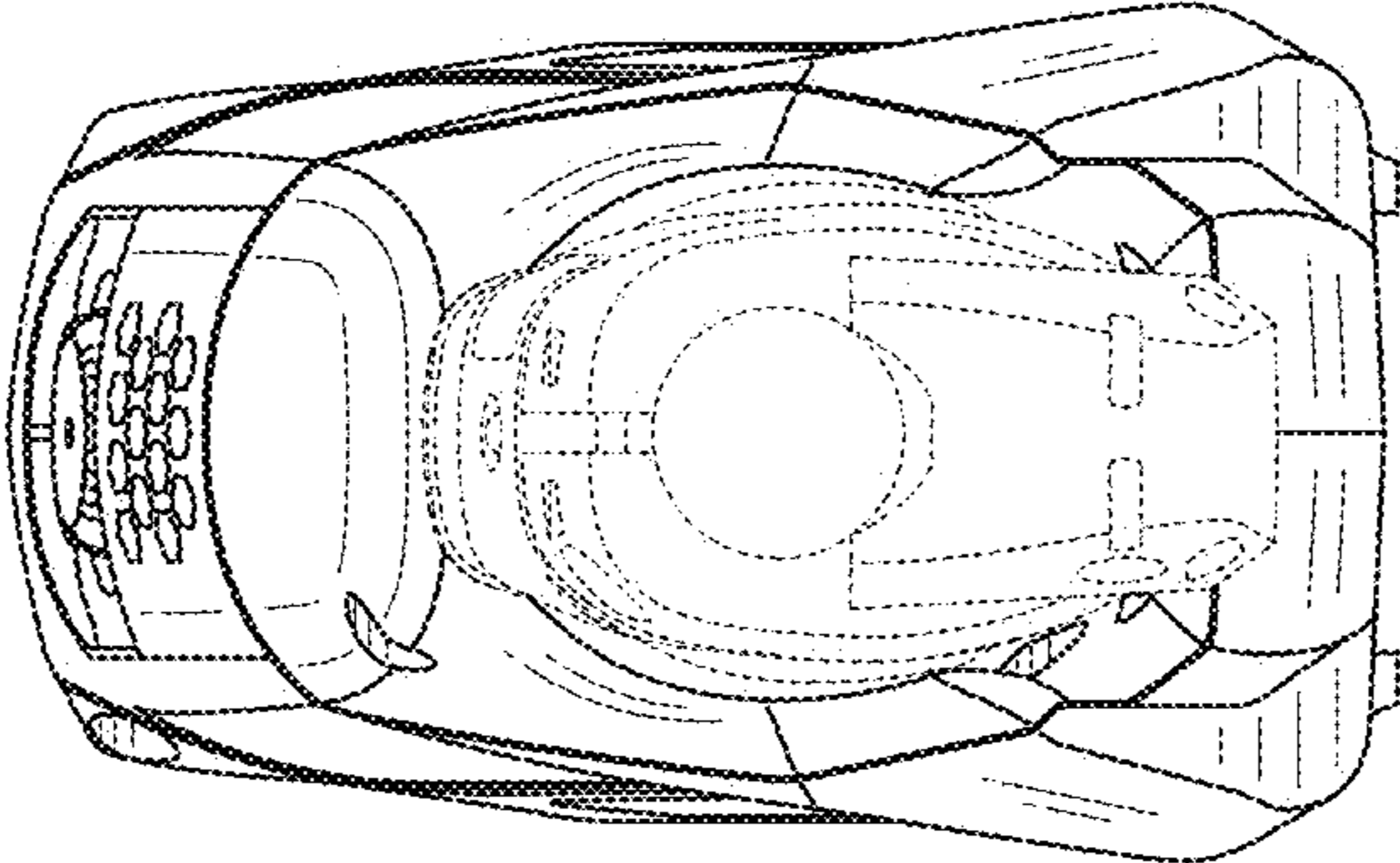
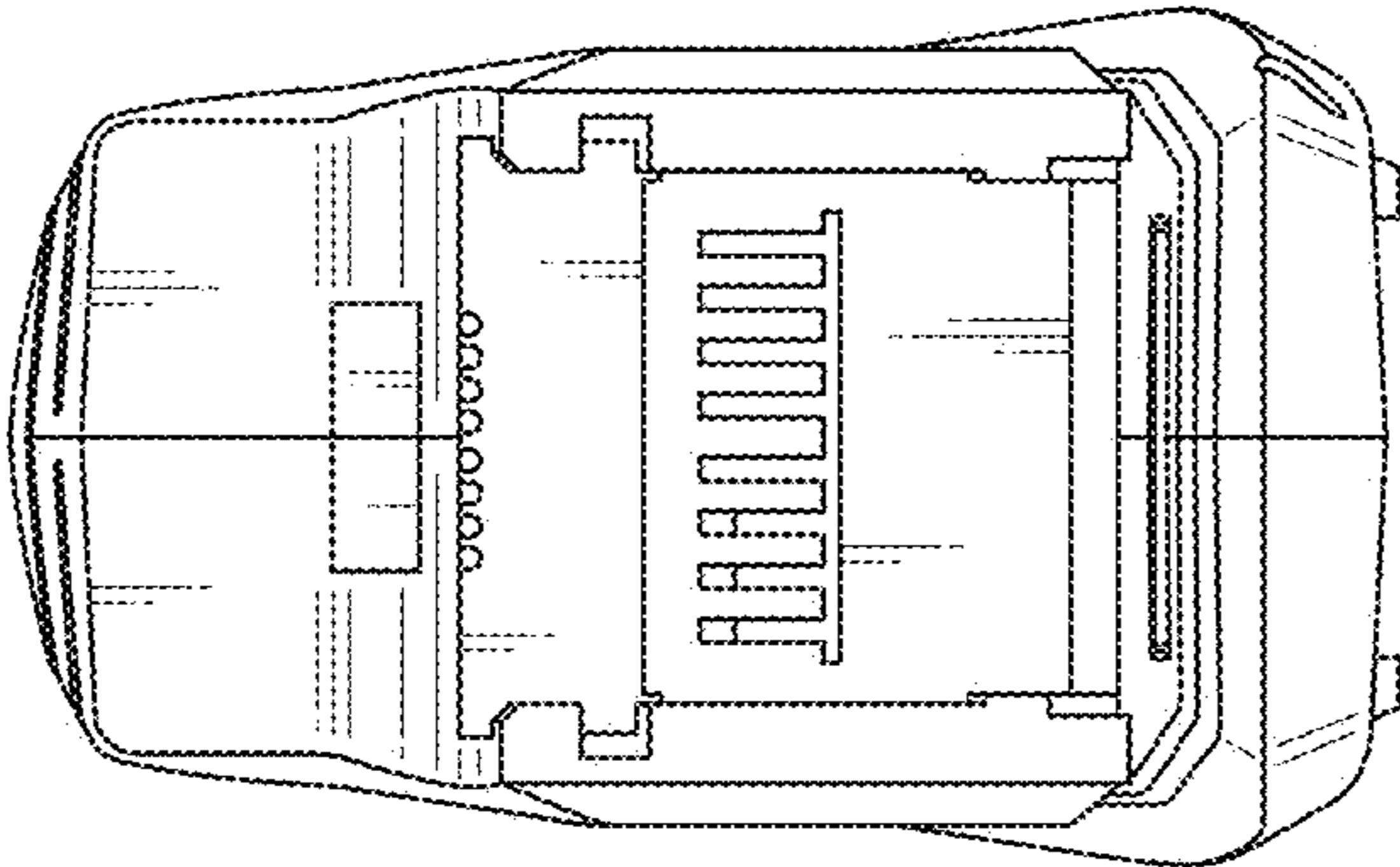


Fig. 14



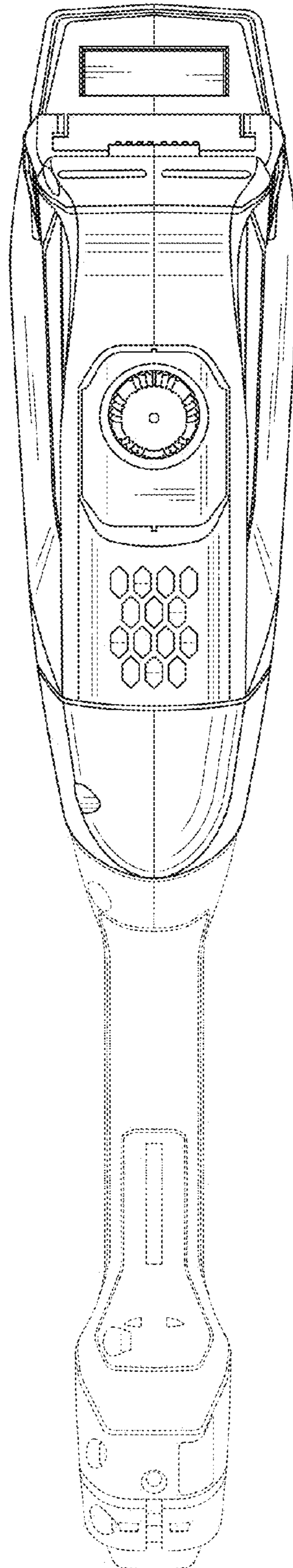


Fig. 15

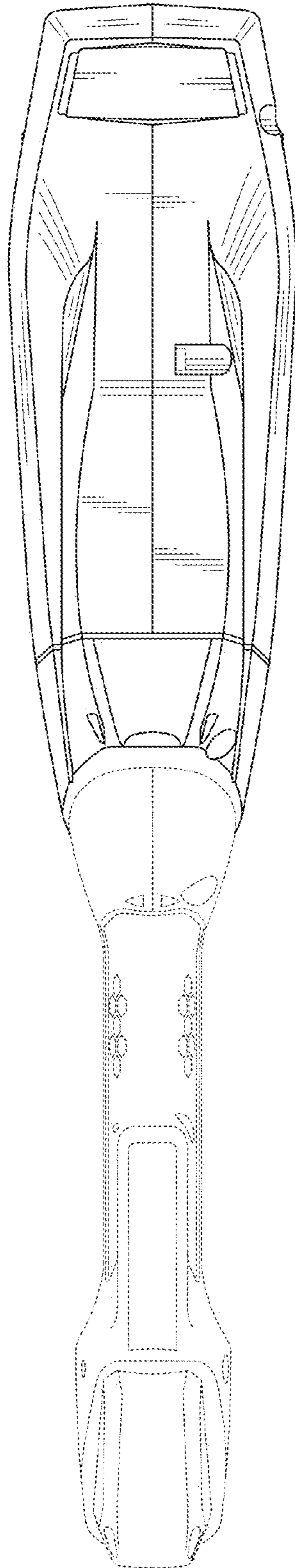
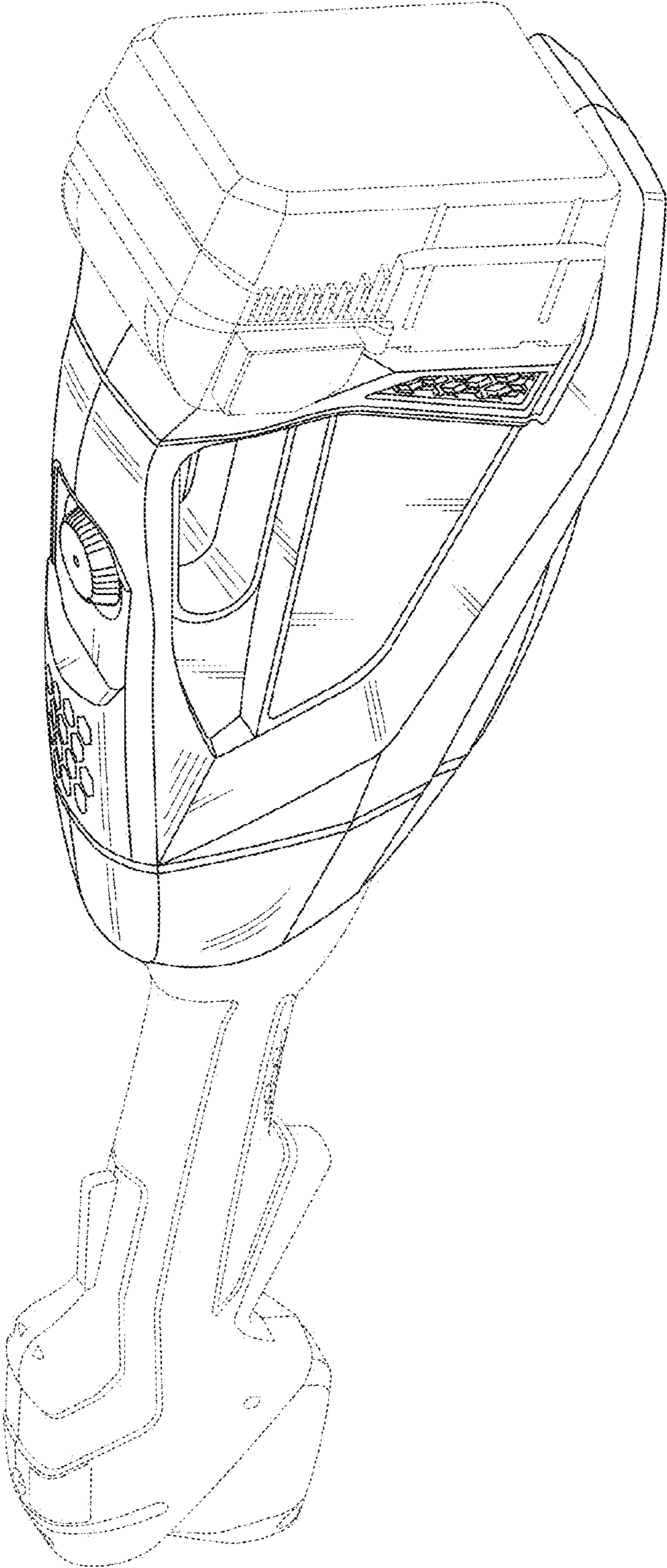


Fig. 16

Fig. 17



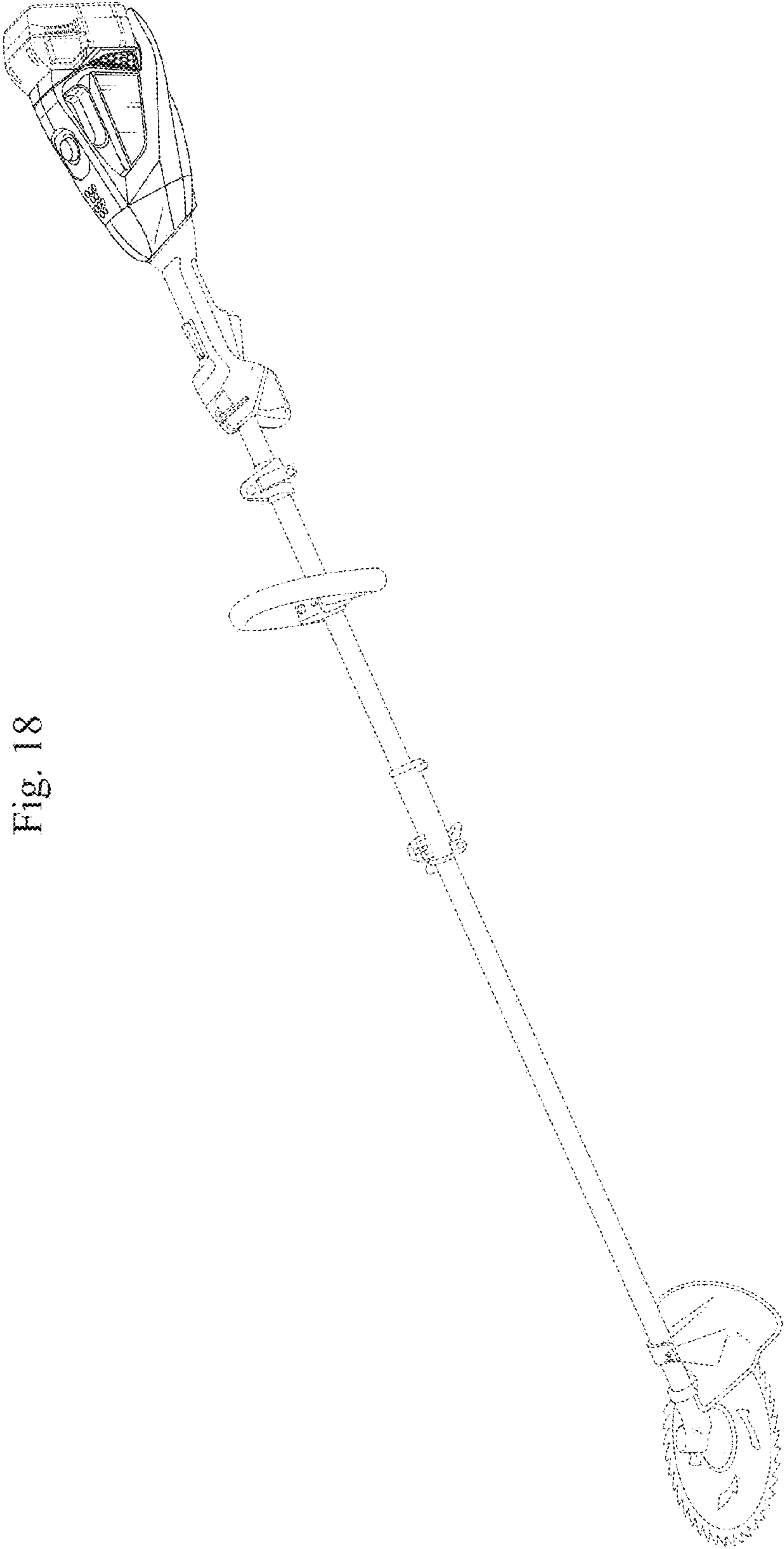


Fig. 18