



US00D740085S

(12) **United States Design Patent**  
**Baughman**

(10) **Patent No.:** **US D740,085 S**  
(45) **Date of Patent:** **\*\* Oct. 6, 2015**

(54) **FUNNEL**  
(71) Applicant: **Rieke Corporation**, Auburn, IN (US)  
(72) Inventor: **Gary M. Baughman**, Fremont, IN (US)  
(73) Assignee: **Reike Corporation**, Auburn, IN (US)  
(\*\*) Term: **14 Years**

(21) Appl. No.: **29/480,624**  
(22) Filed: **Jan. 28, 2014**  
(51) **LOC (10) Cl.** ..... **07-99**  
(52) **U.S. Cl.**  
USPC ..... **D7/700**  
(58) **Field of Classification Search**  
USPC ..... D7/700, 400; D23/200; 141/331-345,  
141/199-205, 384, 386, 95, 98, 297-300  
CPC ..... B65B 1/06; B65B 39/00; B67C 11/00;  
B67C 11/02; B67C 11/063; B67C 3/34;  
B67C 2011/20  
See application file for complete search history.

(56) **References Cited**  
U.S. PATENT DOCUMENTS  
3,939,884 A \* 2/1976 Mader ..... 141/333  
4,706,720 A \* 11/1987 Pattison et al. .... 141/327  
6,155,315 A \* 12/2000 Peterson ..... 141/331  
6,752,183 B2 6/2004 Leoncavallo  
7,264,027 B2 9/2007 Rosenbaum

D560,105 S \* 1/2008 McKenzie ..... D7/700  
7,464,735 B2 12/2008 Shultz  
7,665,492 B2 2/2010 Burstein et al.  
7,975,734 B2 7/2011 Makowiec et al.  
8,469,066 B2 6/2013 Castillo  
2009/0107582 A1 4/2009 Sayage  
2009/0188583 A1 7/2009 Noel et al.  
2009/0242432 A1 10/2009 Grebe  
2013/0175237 A1 7/2013 Parks, Jr. et al.

\* cited by examiner

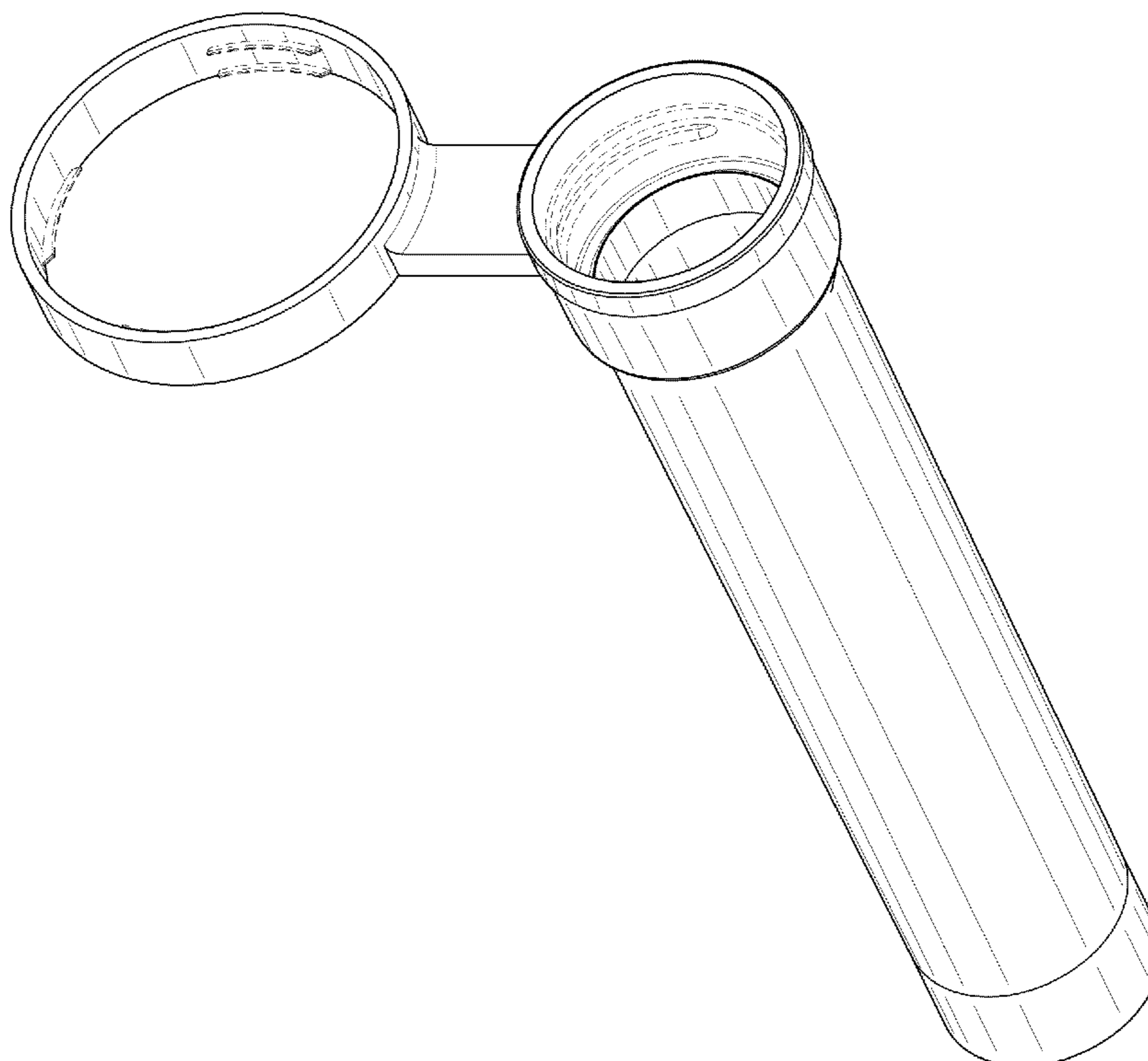
*Primary Examiner* — Terry Wallace  
(74) *Attorney, Agent, or Firm* — Woodard Emhardt Moriarty  
McNett & Henry LLP

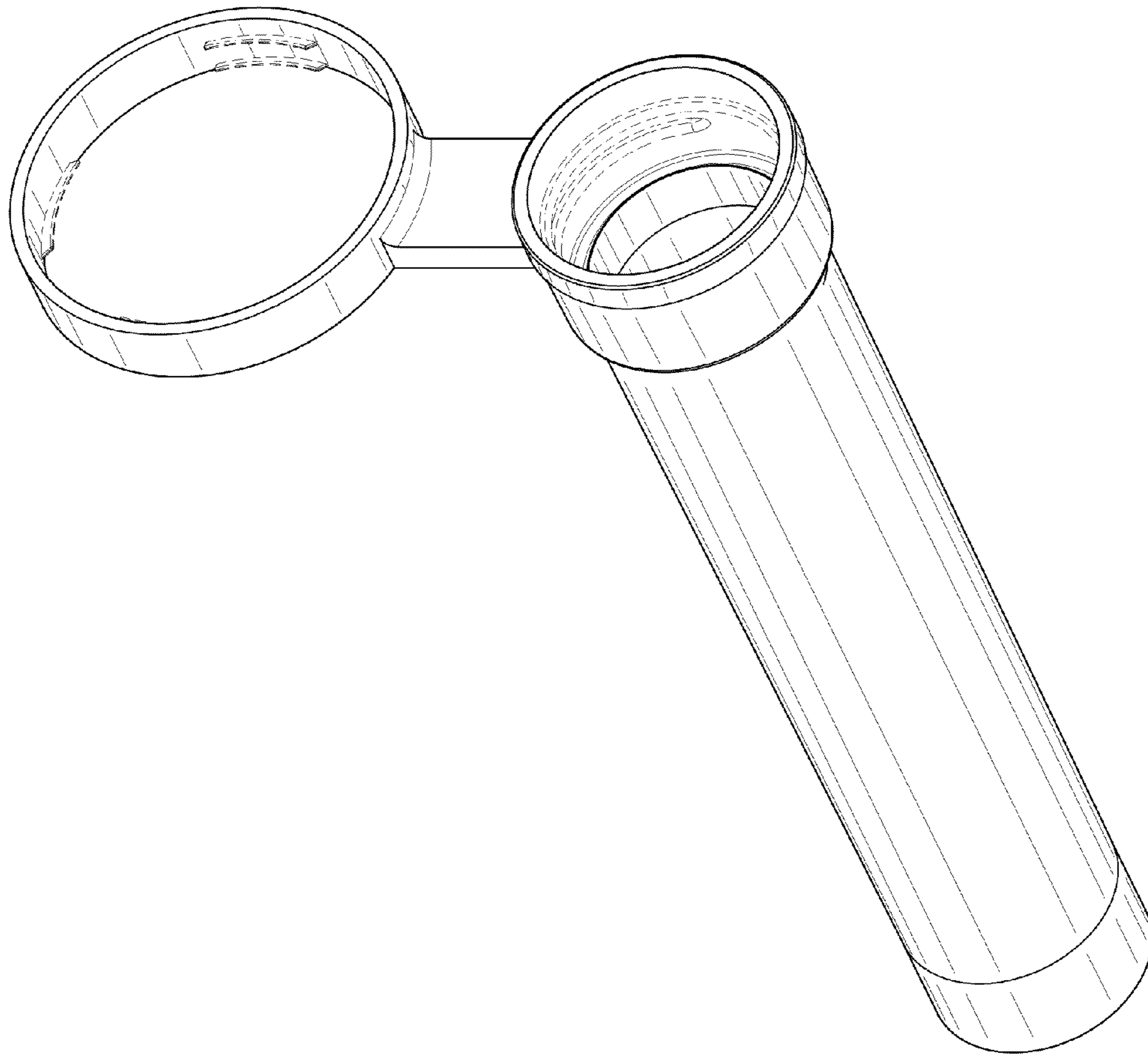
(57) **CLAIM**  
The ornamental design for a funnel, as shown and described.

**DESCRIPTION**

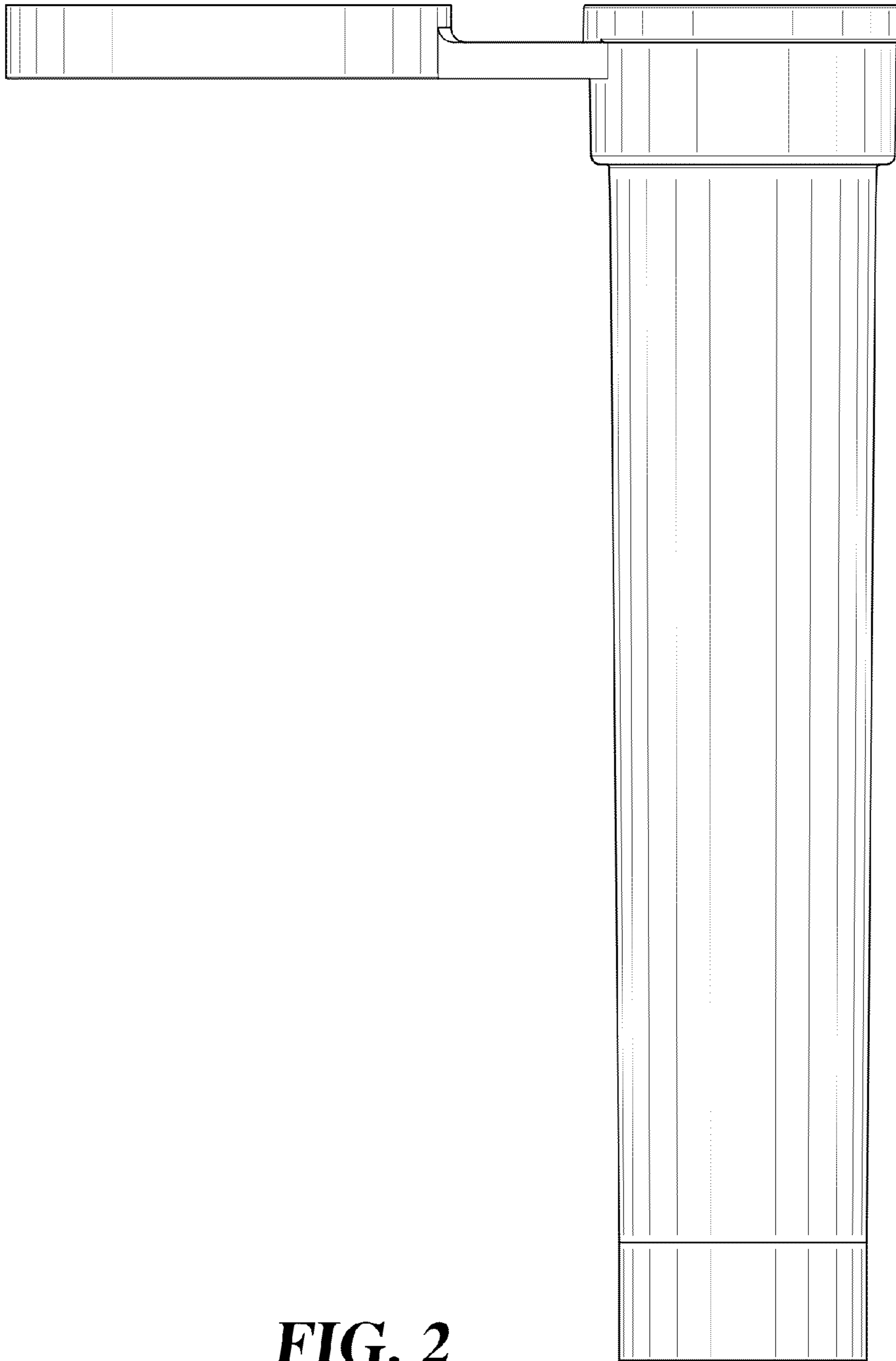
FIG. 1 is a perspective view of a funnel showing my new design.  
FIG. 2 is a front view thereof.  
FIG. 3 is a rear view thereof.  
FIG. 4 is a right side view thereof.  
FIG. 5 is a left side view thereof.  
FIG. 6 is a top plan view thereof.  
FIG. 7 is a bottom plan view thereof; and,  
FIG. 8 is a cross section view thereof taken along line 8-8 of FIG. 2.  
The broken lines are for illustrative purposes only and form no part of the claimed design.

**1 Claim, 6 Drawing Sheets**

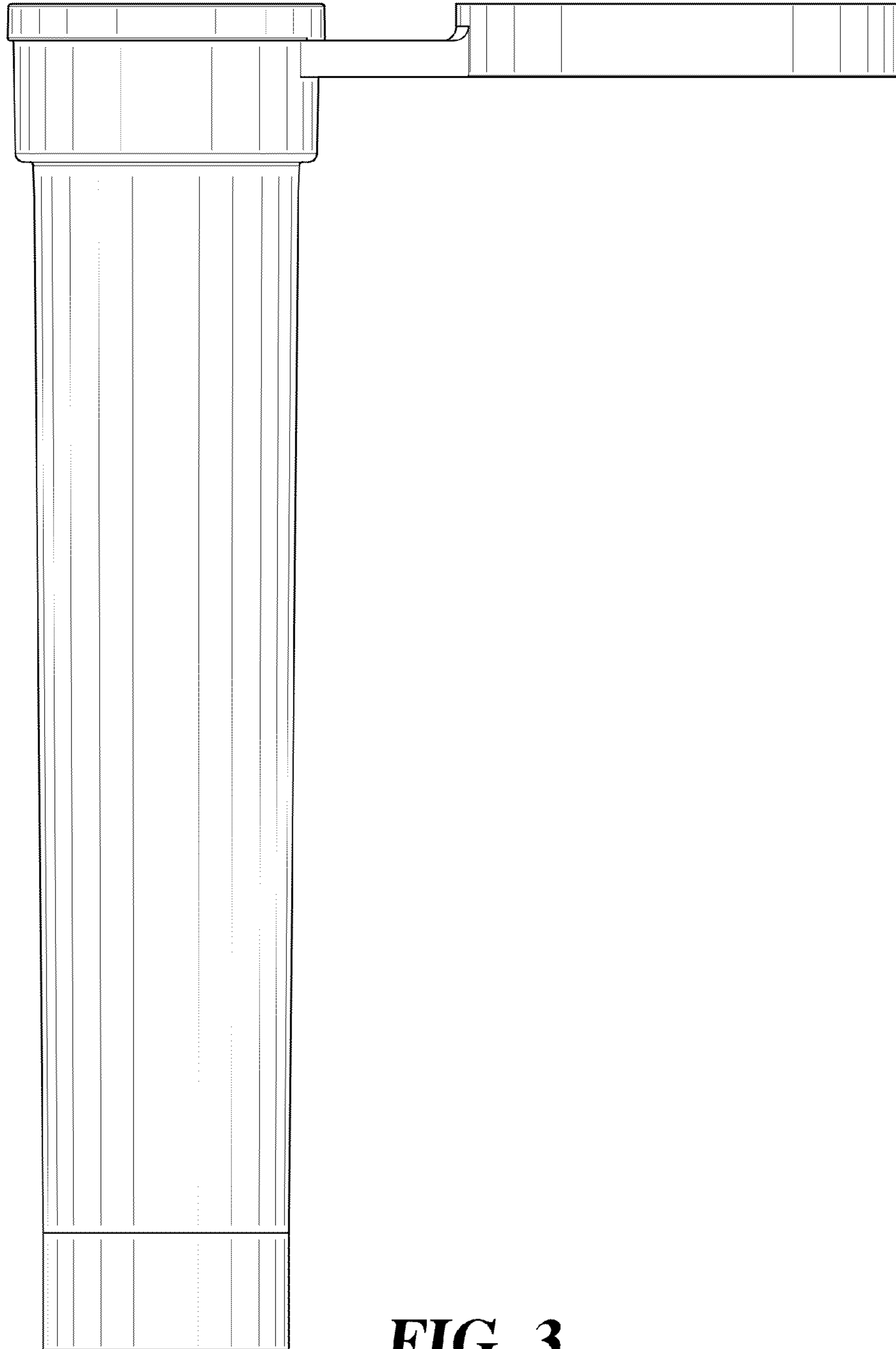




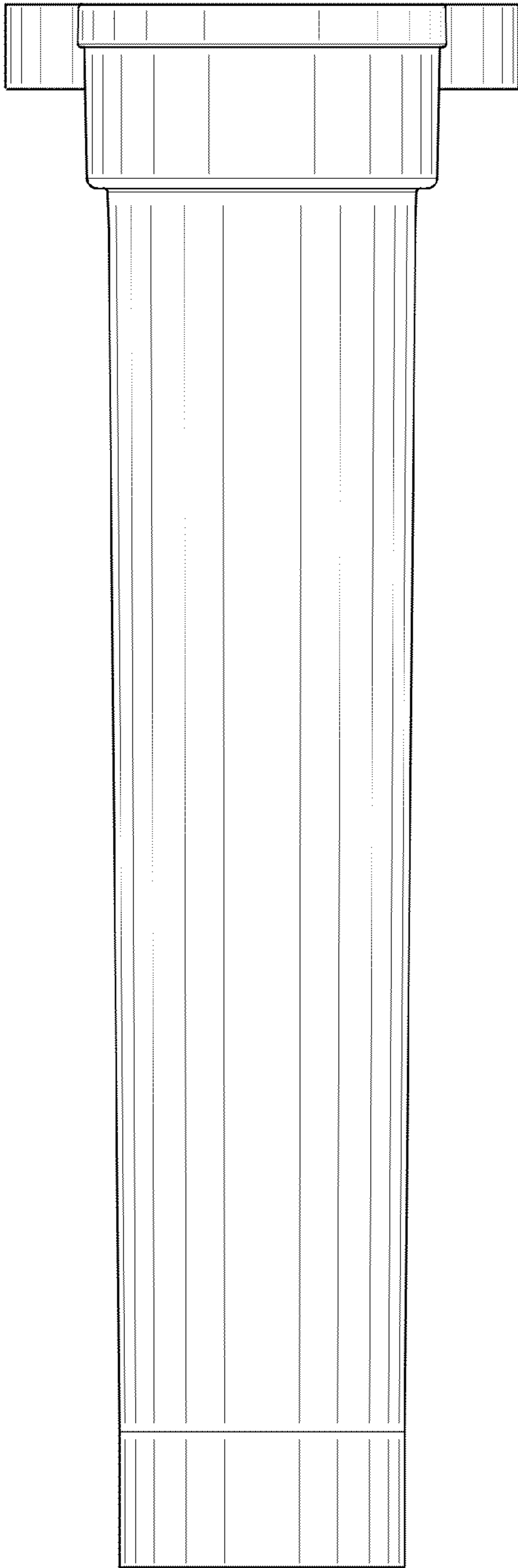
**FIG. 1**



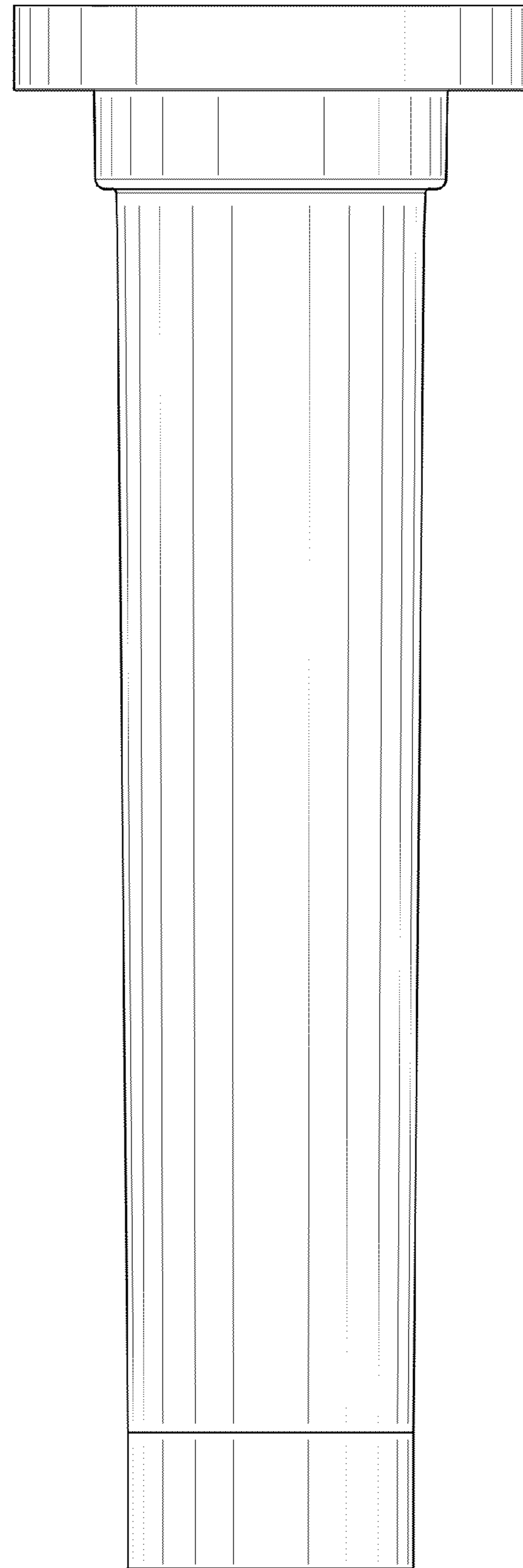
**FIG. 2**



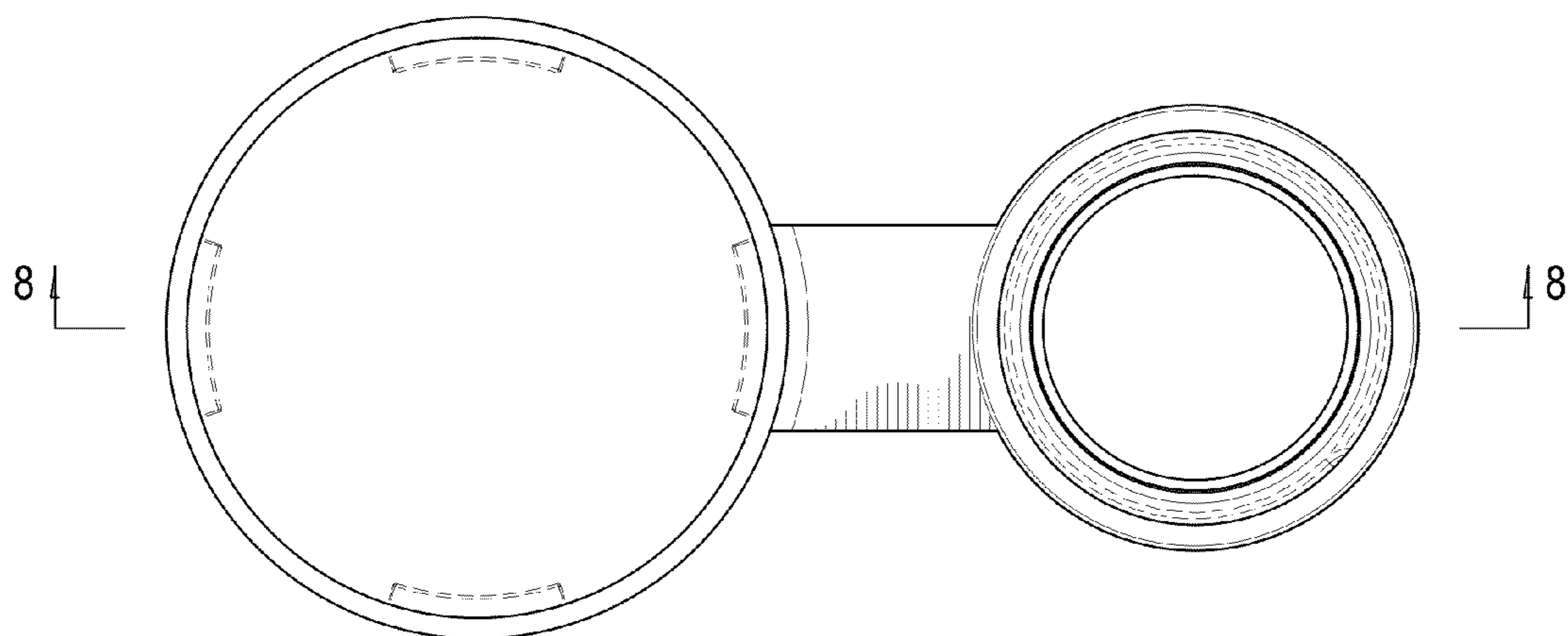
**FIG. 3**



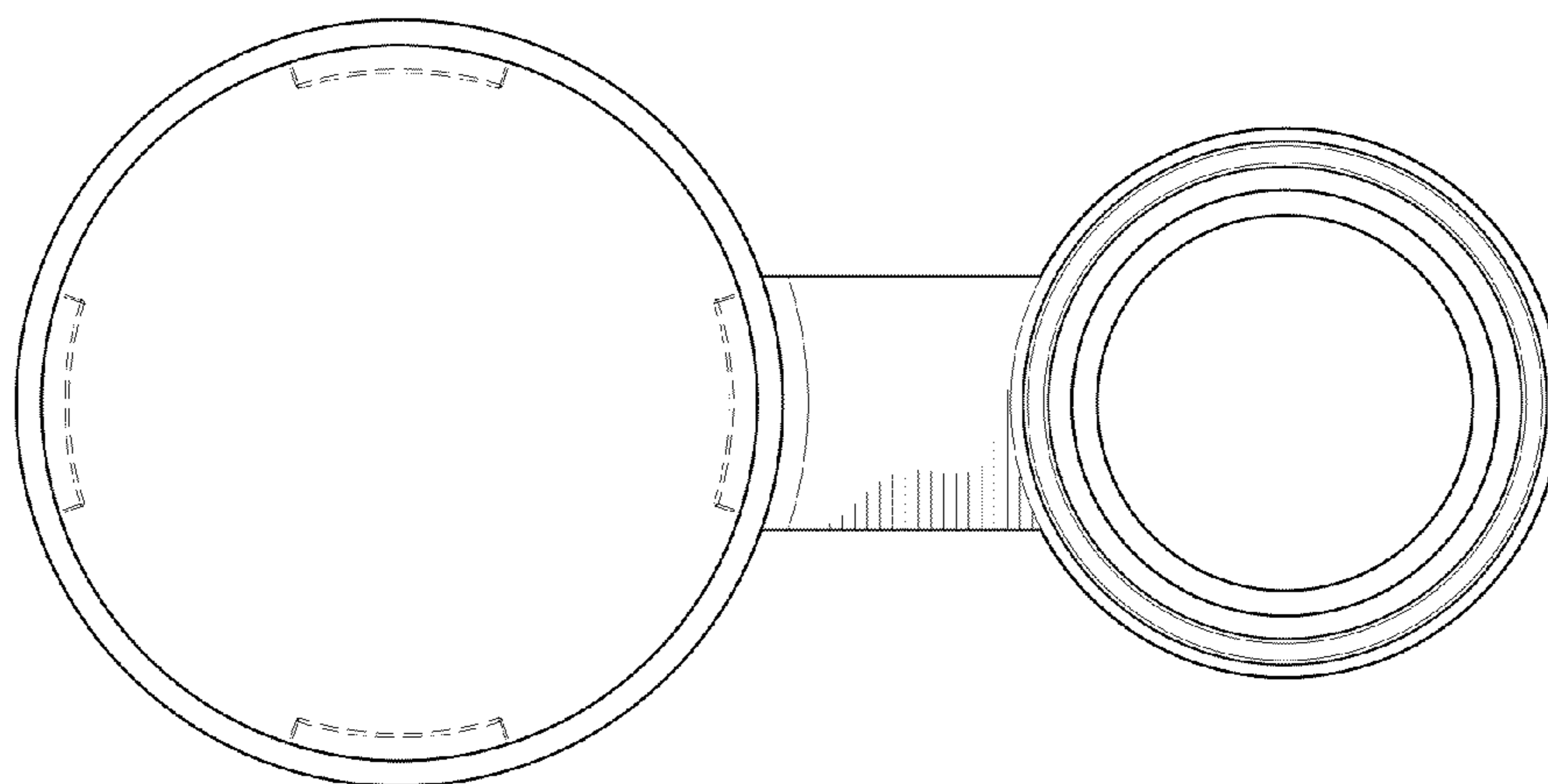
**FIG. 4**



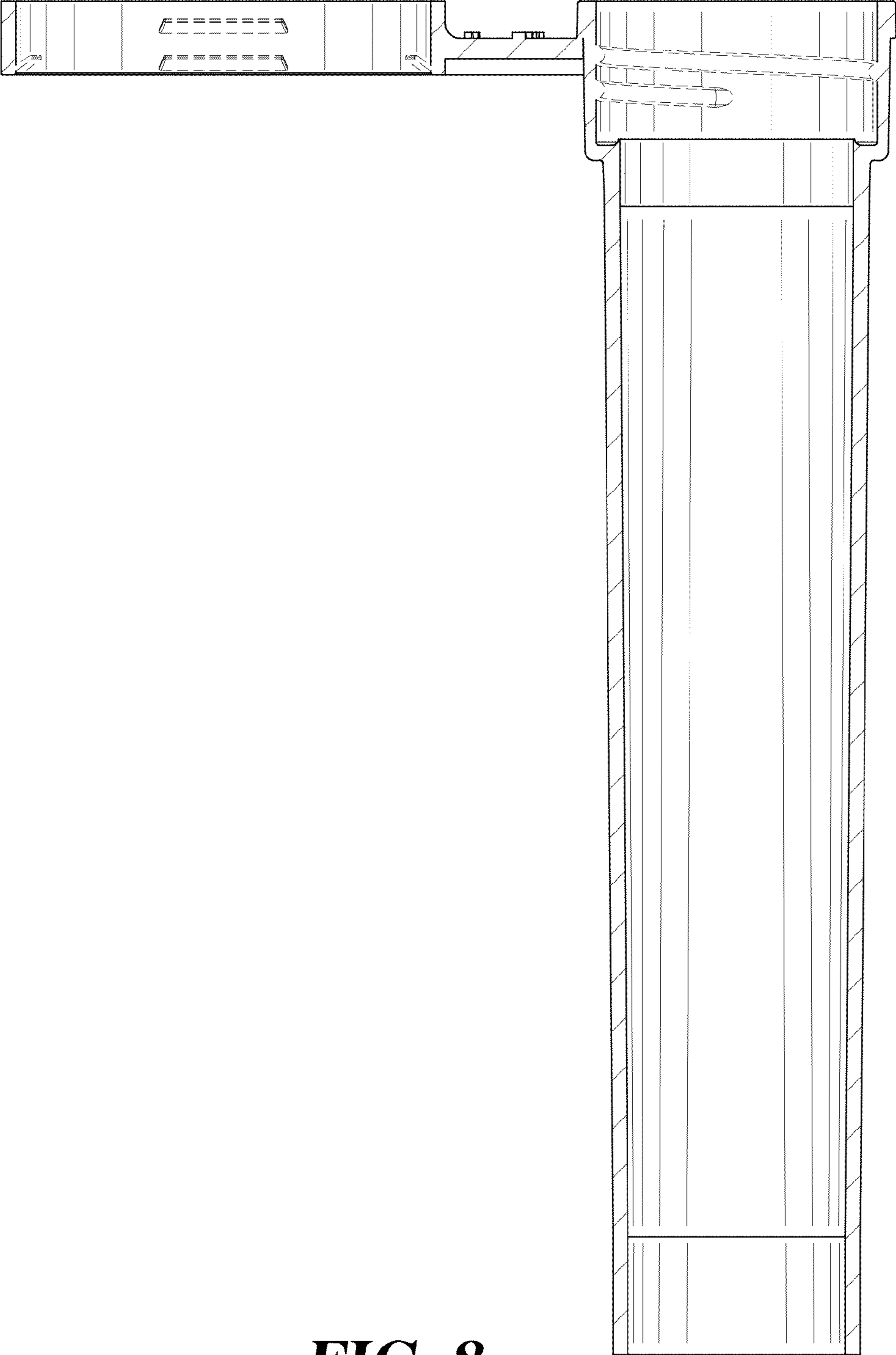
**FIG. 5**



**FIG. 6**



**FIG. 7**



**FIG. 8**