



US00D740084S

(12) **United States Design Patent**  
**Schmitt et al.**

(10) **Patent No.:** **US D740,084 S**

(45) **Date of Patent:** **\*\* Oct. 6, 2015**

(54) **CUTTING BOARD**

(71) Applicant: **Fish Commander LLC**, St. Cloud, MN  
(US)

(72) Inventors: **Anthony L. Schmitt**, St. Cloud, MN  
(US); **Michael Theisen**, St. Cloud, MN  
(US)

(73) Assignee: **CleanCut Solutions LLC**, St. Cloud,  
MN (US)

(\*\*) Term: **14 Years**

(21) Appl. No.: **29/491,309**

(22) Filed: **May 20, 2014**

(51) **LOC (10) Cl.** ..... **07-04**

(52) **U.S. Cl.**  
USPC ..... **D7/698**

(58) **Field of Classification Search**  
USPC ..... D7/543, 549, 550.1, 586, 698-699;  
D9/435; D32/55-57  
CPC ..... A47J 47/00; A47J 47/005; A47J 47/20;  
B26D 7/0006; B26D 7/018; B26D 7/20;  
B23D 21/00; B23K 37/04; B23K 37/053;  
B23Q 16/001

See application file for complete search history.

(56) **References Cited**

U.S. PATENT DOCUMENTS

D317,849 S *	7/1991	Adams	.....	D7/698
D363,196 S *	10/1995	Kristiansen	.....	D7/698
5,546,852 A *	8/1996	Bidwell	.....	99/446
D374,380 S *	10/1996	Sawatsky	.....	D7/698
D382,776 S *	8/1997	McLeod	.....	D7/698
D631,745 S *	2/2011	Lawrence et al.	.....	D9/435
D678,010 S *	3/2013	Sudmalis	.....	D7/698
D689,350 S *	9/2013	Sudmalis	.....	D7/698

\* cited by examiner

*Primary Examiner* — Ricky Pham

(74) *Attorney, Agent, or Firm* — Schwegman Lundberg & Woessner, P.A.

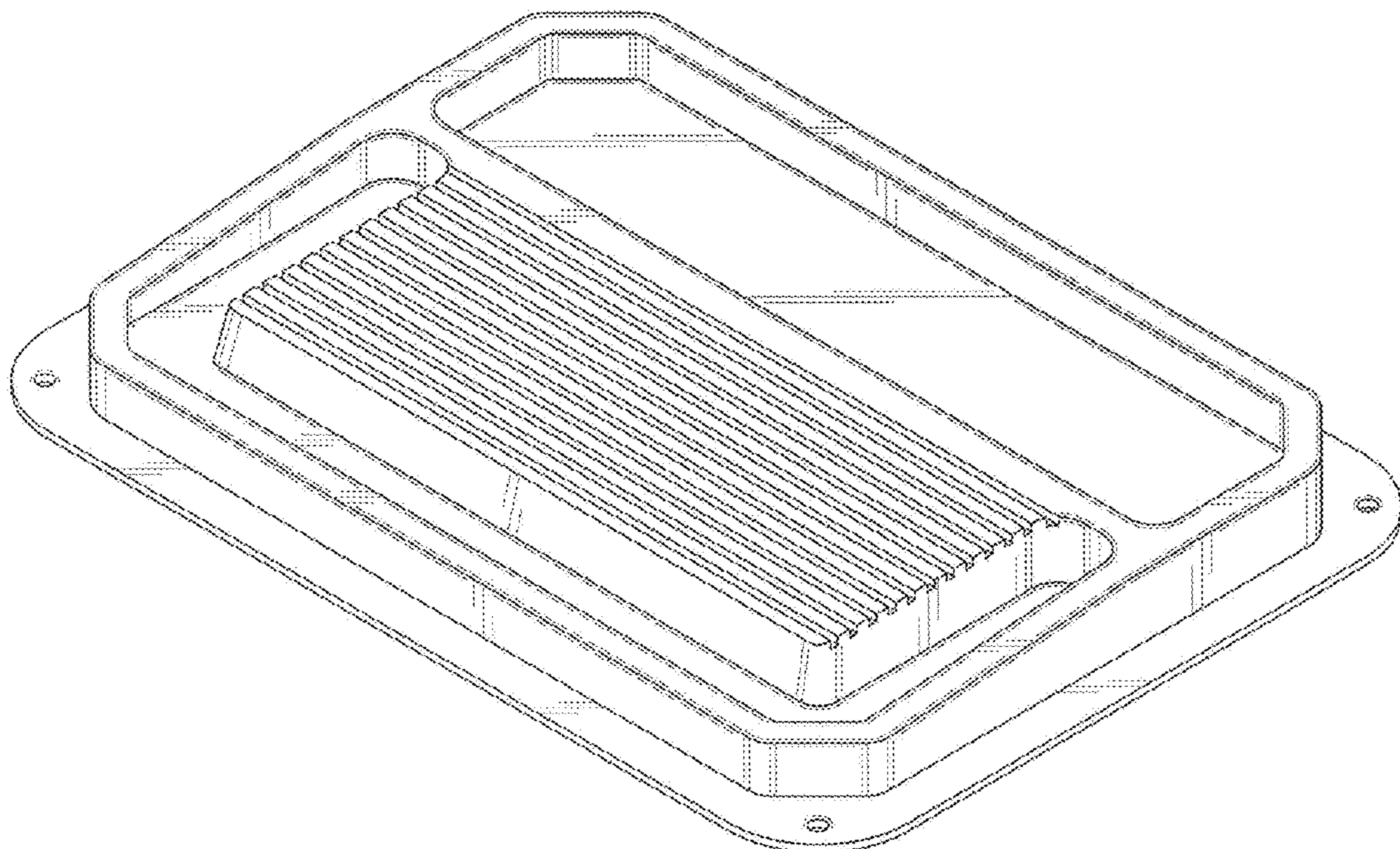
(57) **CLAIM**

The ornamental design for the cutting board, as shown and described.

**DESCRIPTION**

FIG. 1 is a perspective view of the cutting board incorporating our new design;  
FIG. 2 is a Top view of the cutting board of FIG. 1;  
FIG. 3 is a Bottom view of the cutting board of FIG. 1;  
FIG. 4 is a Front view of the cutting board of FIG. 1;  
FIG. 5 is a Back view of the cutting board of FIG. 1;  
FIG. 6 is a Right Side view of the cutting board of FIG. 1; and,  
FIG. 7 is a Left Side view of the cutting board of FIG. 1.

**1 Claim, 5 Drawing Sheets**



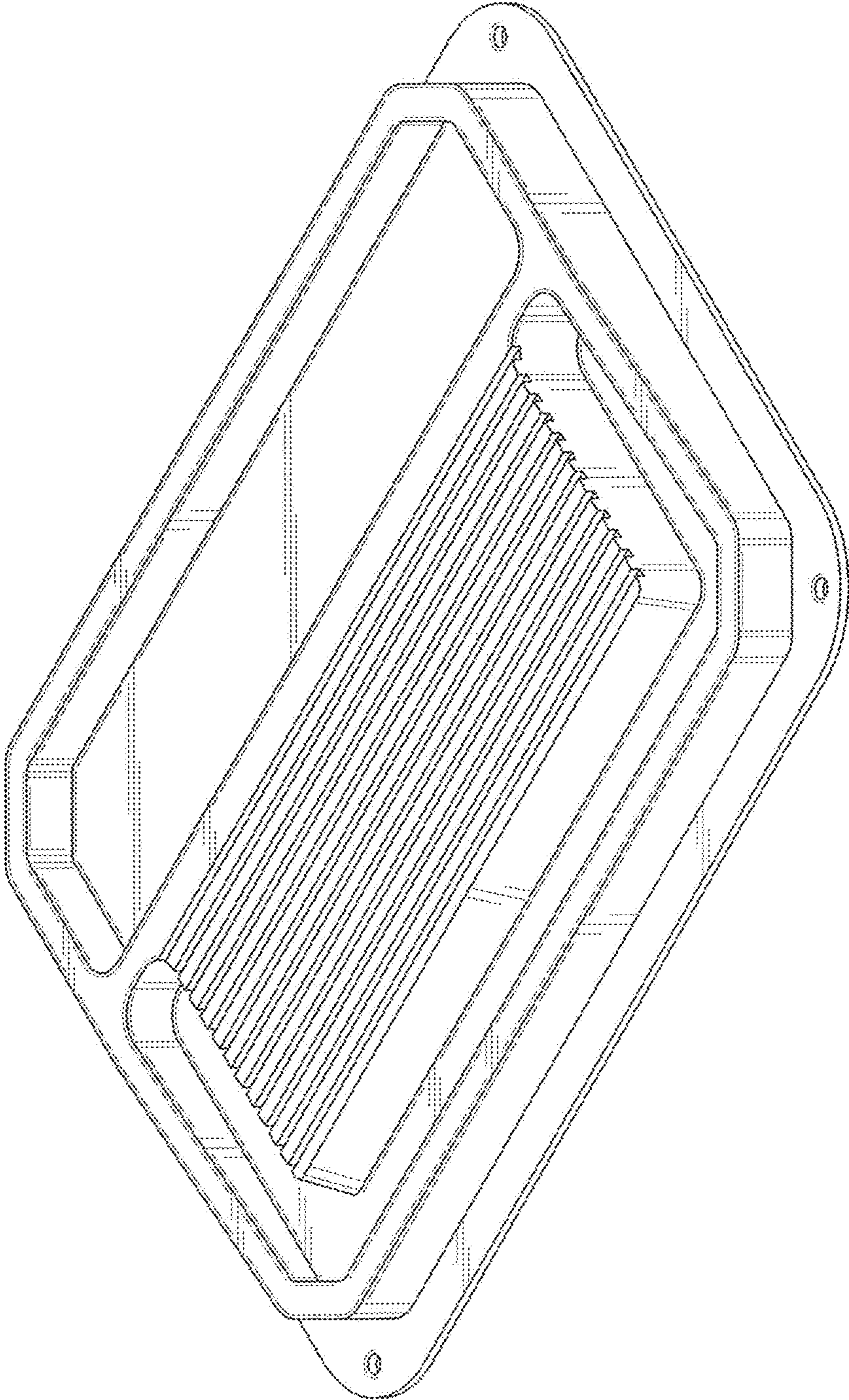


FIG. 1

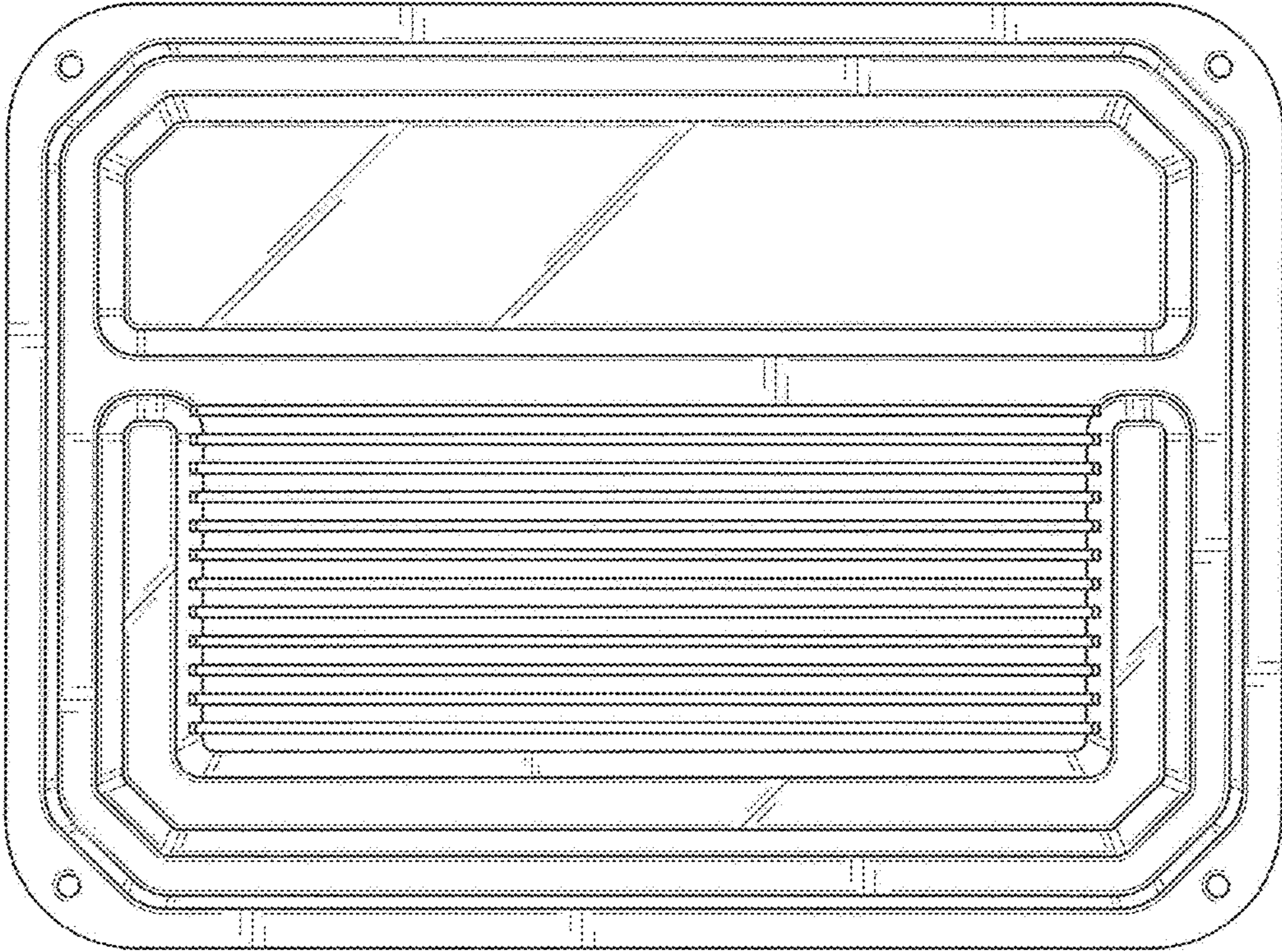
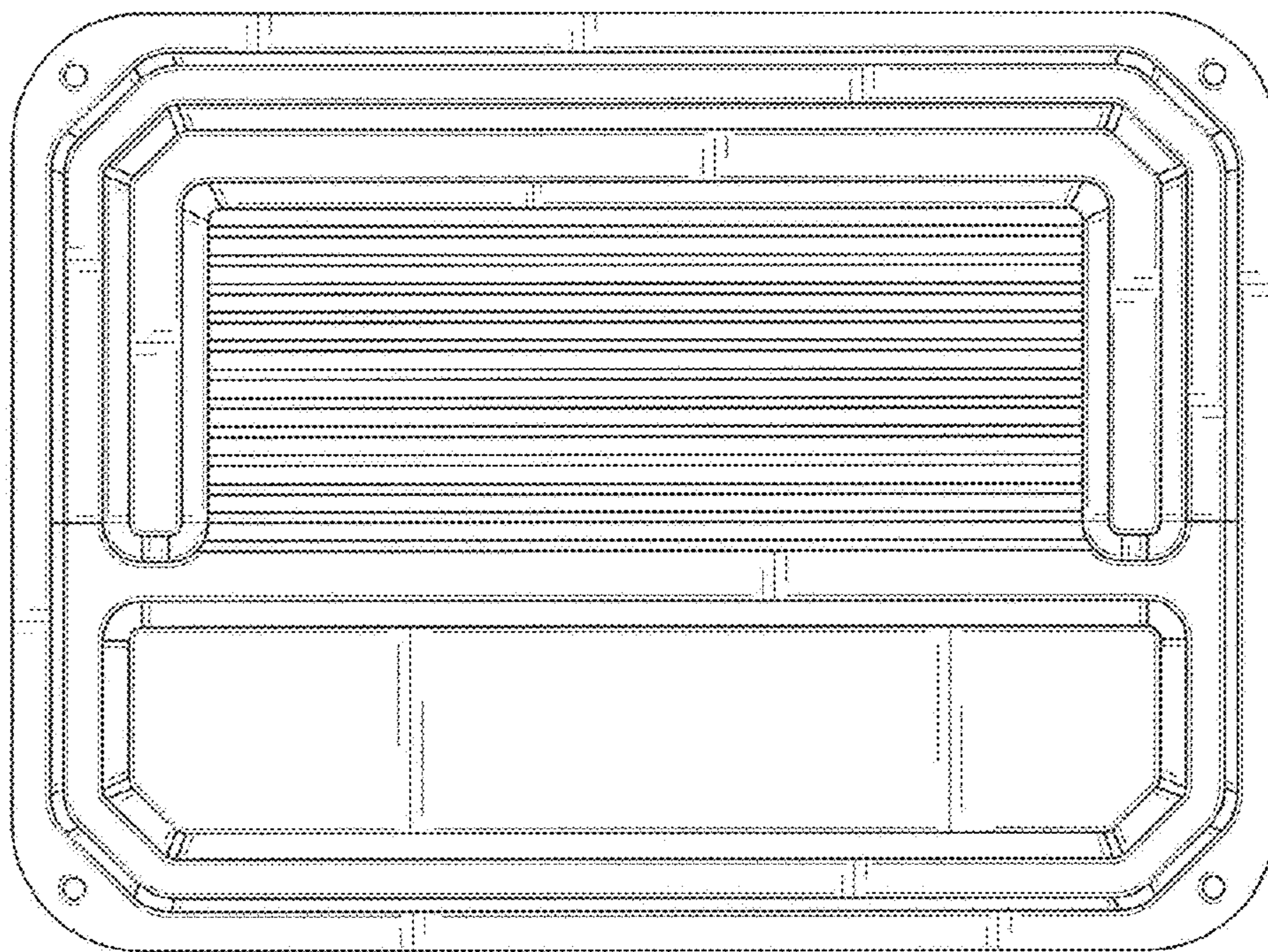
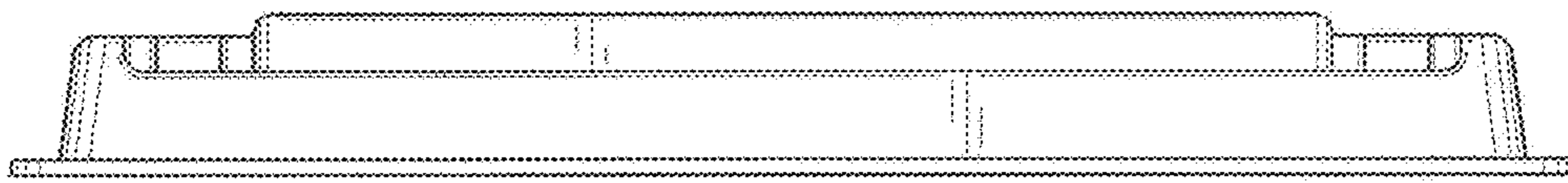


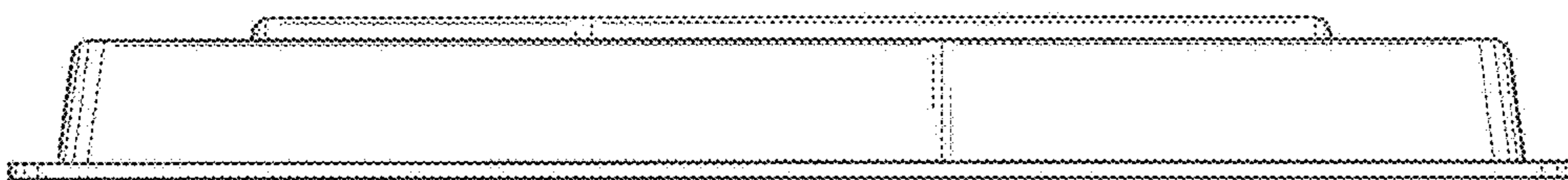
FIG. 2



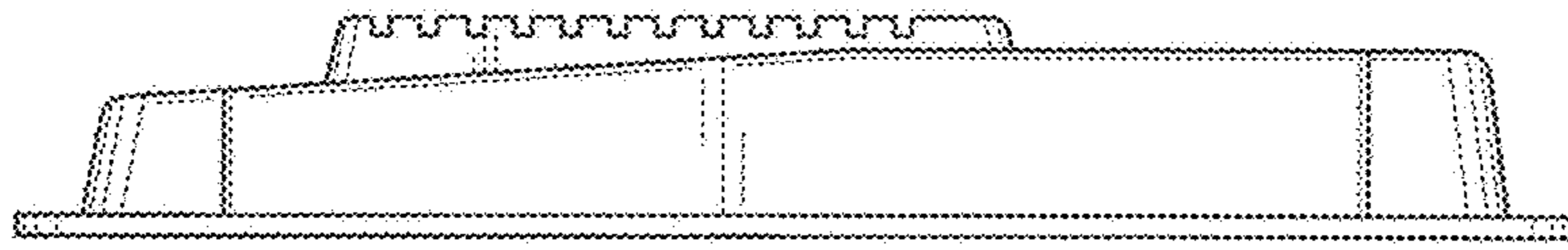
*FIG. 3*



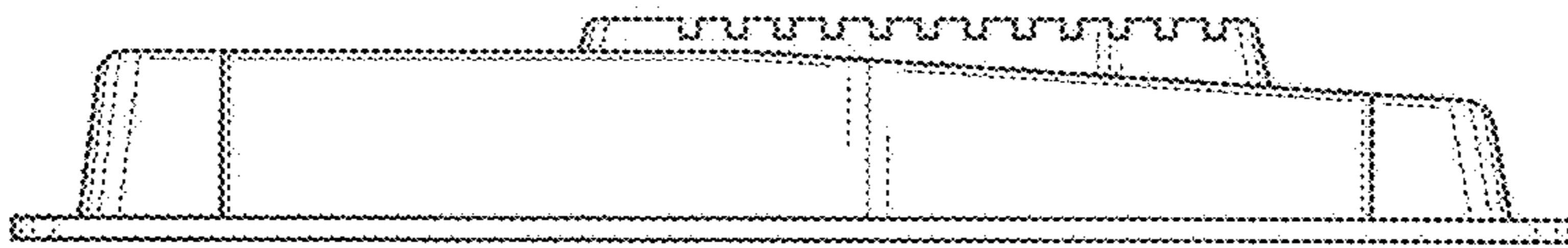
*FIG. 4*



*FIG. 5*



*FIG. 6*



*FIG. 7*

UNITED STATES PATENT AND TRADEMARK OFFICE  
**CERTIFICATE OF CORRECTION**

PATENT NO. : D740,084 S  
APPLICATION NO. : 29/491309  
DATED : October 6, 2015  
INVENTOR(S) : Schmitt et al.

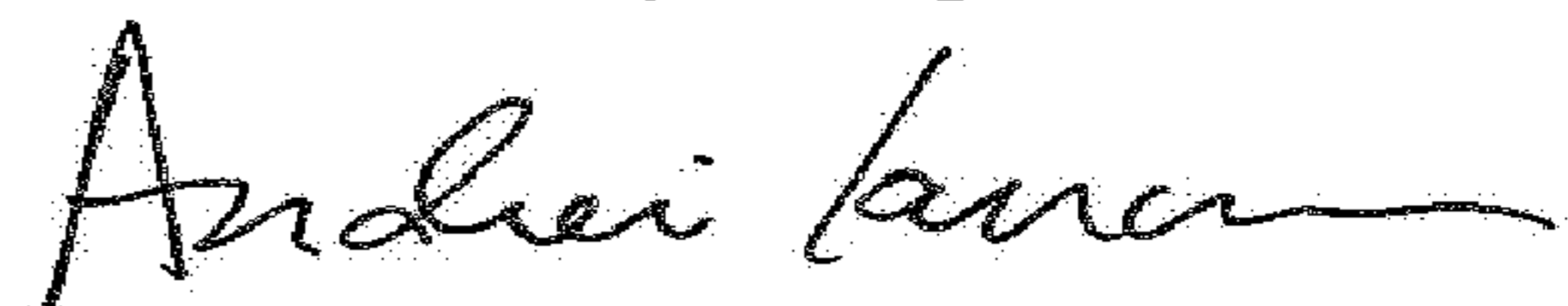
Page 1 of 2

It is certified that error appears in the above-identified patent and that said Letters Patent is hereby corrected as shown below:

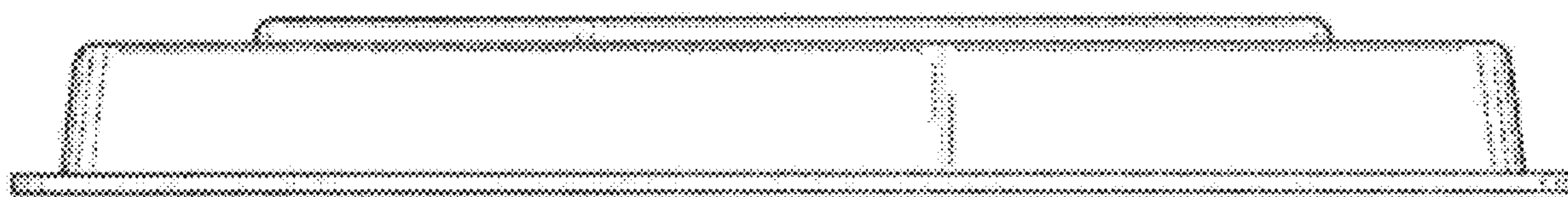
In the Drawings

Sheet 4 of 5, please delete Fig. 5 and replace it with the corrected Fig. 5, as shown on the attached sheet.

Signed and Sealed this  
Tenth Day of April, 2018



Andrei Iancu  
*Director of the United States Patent and Trademark Office*



*FIG. 5*