

US00D740083S

(12) **United States Design Patent**  
**Wasserman**

(10) **Patent No.:** **US D740,083 S**

(45) **Date of Patent:** **\*\* \*Oct. 6, 2015**

(54) **SPATULA**

CPC ..... A47J 43/28  
See application file for complete search history.

(71) Applicant: **Areaware, Inc.**, New York, NY (US)

(56) **References Cited**

(72) Inventor: **Jacob Riley Wasserman**, Bridgeton, NJ (US)

U.S. PATENT DOCUMENTS

(73) Assignee: **The Hereafter, Inc.**, Columbus, OH (US)

D491,424	S	*	6/2004	Rosenthal	.....	D7/692
D493,679	S	*	8/2004	Metzger-Boehringer	.....	D7/692
D525,836	S	*	8/2006	Moore	.....	D7/689
D545,645	S	*	7/2007	Lion et al.	.....	D7/692
2003/0234547	A1	*	12/2003	Bielecki et al.	.....	294/7
2006/0162199	A1	*	7/2006	Kang et al.	.....	294/8
2006/0255605	A1	*	11/2006	Yu	.....	294/7
2008/0209738	A1	*	9/2008	Laufer	.....	30/123.3

(\* ) Notice: This patent is subject to a terminal disclaimer.

\* cited by examiner

(\*\*) Term: **14 Years**

*Primary Examiner* — Terry Wallace

(21) Appl. No.: **29/472,792**

(74) *Attorney, Agent, or Firm* — Ted Sabety, Esq.; Sabety & Associates PLLC

(22) Filed: **Nov. 15, 2013**

**Related U.S. Application Data**

(57) **CLAIM**

The ornamental design of a spatula, as shown and described.

(60) Continuation of application No. 29/435,285, filed on Oct. 22, 2012, now Pat. No. Des. 699,525, and a division of application No. 29/436,357, filed on Nov. 5, 2012, now Pat. No. Des. 706,093.

**DESCRIPTION**

(51) **LOC (10) Cl.** ..... **07-04**

(52) **U.S. Cl.**

USPC ..... **D7/689**

(58) **Field of Classification Search**

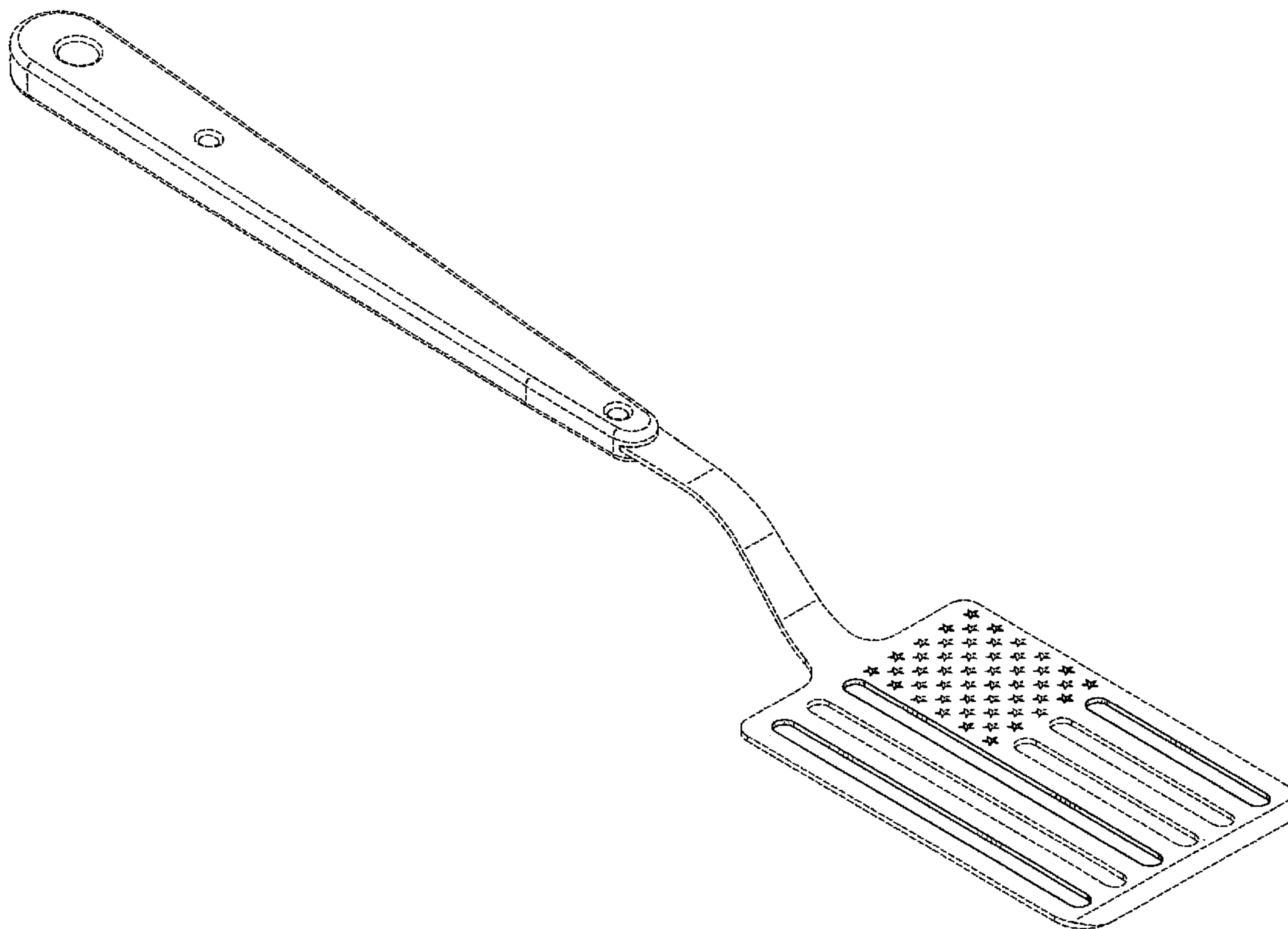
USPC ..... D7/669, 368, 391, 692, 684; 294/7, 8; 7/110, 170

FIG. 1 is a top, front, right side perspective view of a spatula showing my new design; and,

FIG. 2 is a top, front, right side perspective view of an alternate embodiment.

The broken lines are for illustrative purposes only and form no part of the claimed design.

**1 Claim, 2 Drawing Sheets**



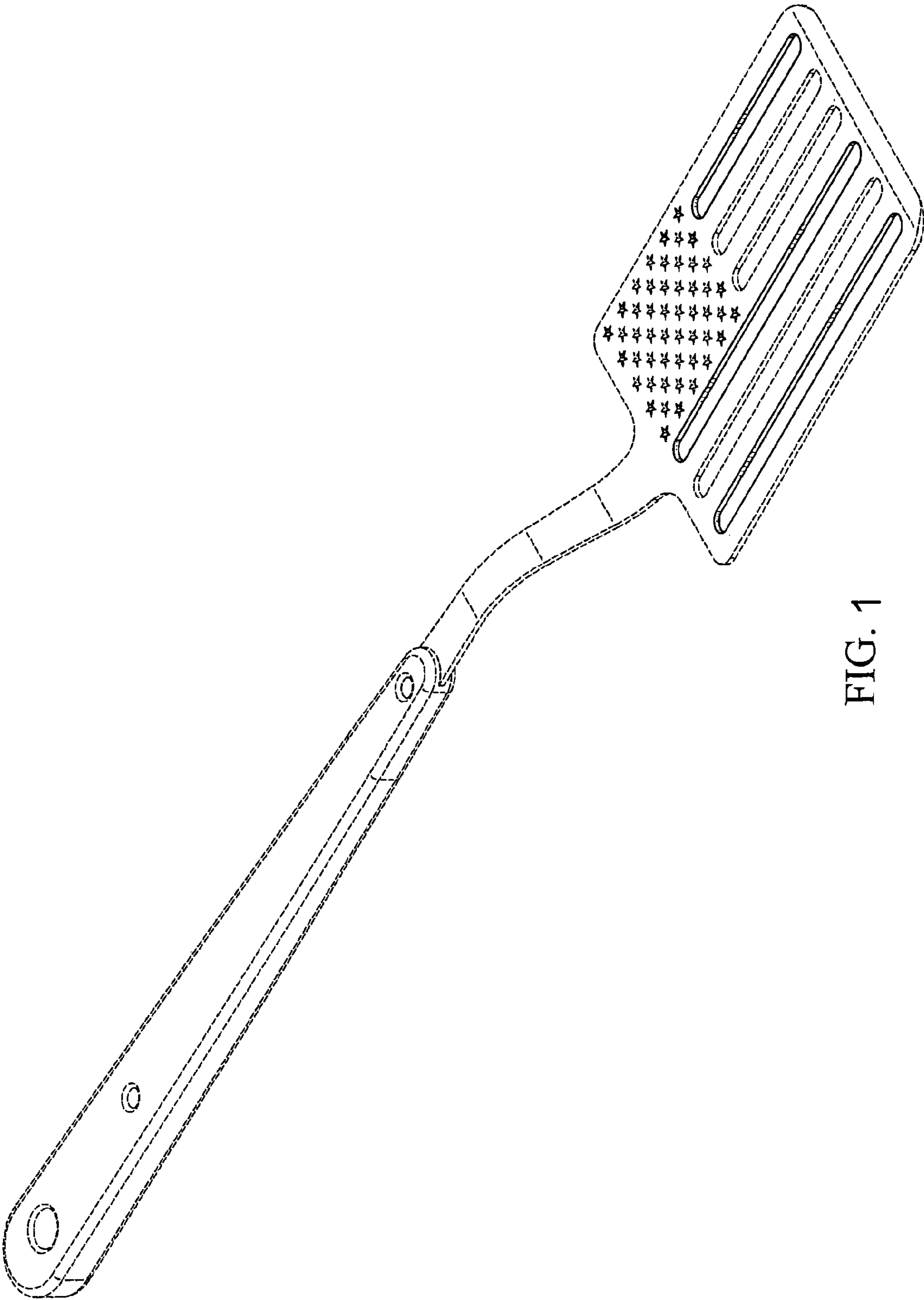


FIG. 1

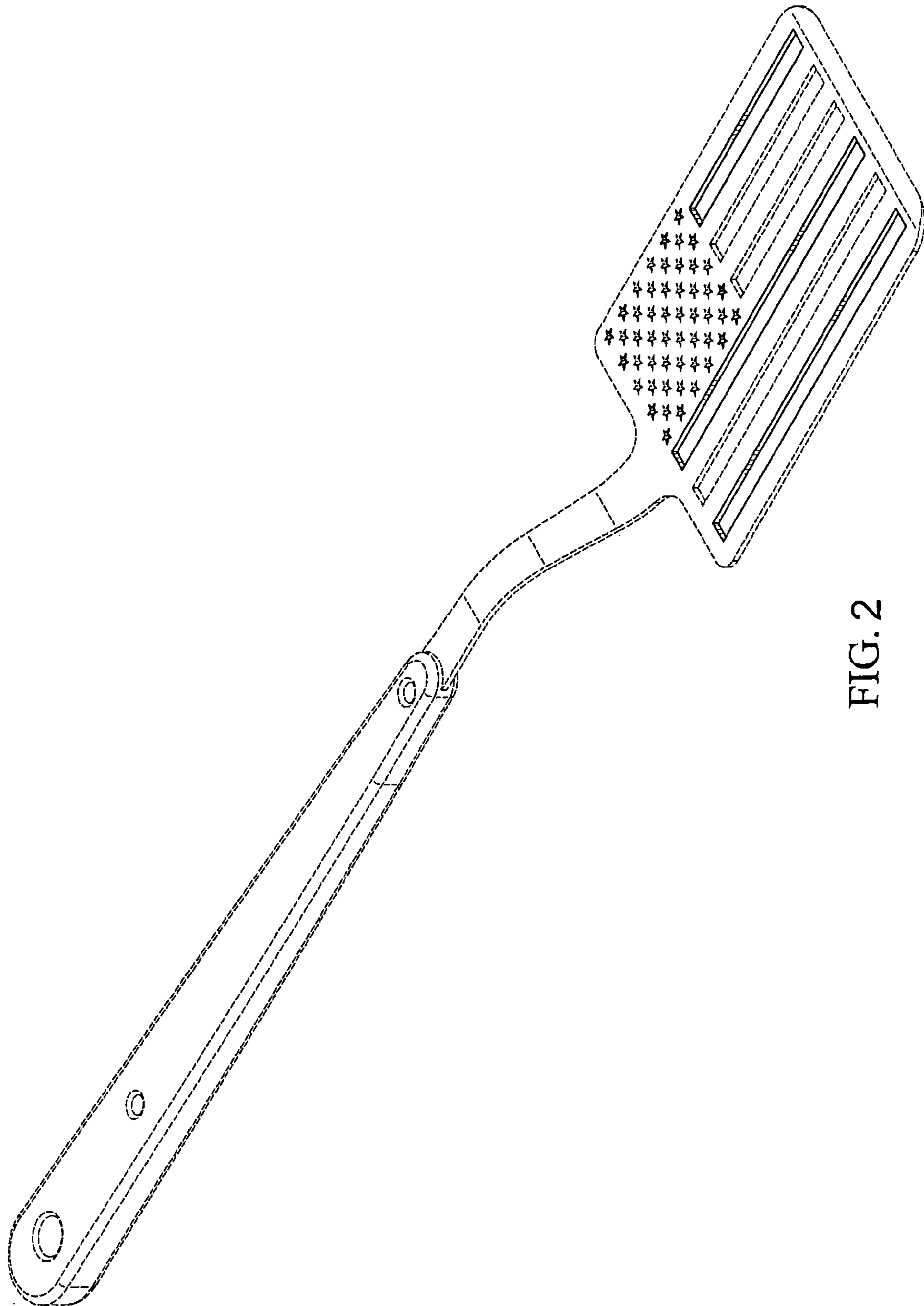


FIG. 2