



US00D740079S

(12) **United States Design Patent**  
**Miksovsky et al.**

(10) **Patent No.:** **US D740,079 S**

(45) **Date of Patent:** **\*\* Oct. 6, 2015**

(54) **FORK**

(71) Applicant: **humangear, Inc.**, San Francisco, CA (US)

(72) Inventors: **Christopher A. Miksovsky**, San Francisco, CA (US); **Clint N. Slone**, San Francisco, CA (US); **Evelyne Chaubert**, San Francisco, CA (US); **Charlie Nghiem**, Oakland, CA (US)

(73) Assignee: **humangear, Inc.**, San Francisco, CA (US)

(\*\*) Term: **14 Years**

(21) Appl. No.: **29/510,006**

(22) Filed: **Nov. 24, 2014**

**Related U.S. Application Data**

(62) Division of application No. 29/484,447, filed on Mar. 10, 2014, now Pat. No. Des. 722,837.

(51) **LOC (10) Cl.** ..... **07-03**

(52) **U.S. Cl.**  
USPC ..... **D7/653**

(58) **Field of Classification Search**

USPC ..... D7/368, 401.2, 642–645, 653–664, 669, D7/675–677, 683, 688–689, 691; D8/13, D8/107, 300–301; D22/117–118  
CPC ..... A01D 9/02; A01D 9/04; A01D 9/06; A47G 21/00; A47G 21/004; A47G 21/005; A47G 21/02; A47G 21/023; A47G 21/04; A47G 21/06; A47G 21/08; A47J 43/28; A47J 43/281; A47J 43/282; A61F 13/10; A61J 7/0023; B25G 1/00; B25G 1/01; B25G 1/02; B25G 3/00; B26B 11/00; B65D 75/56; B65D 75/563; B65D 75/566; B67B 7/00; B67B 7/38; B67B 7/724; B67B 7/73

See application file for complete search history.

(56) **References Cited**

U.S. PATENT DOCUMENTS

34,098 A *	1/1862	Hardie et al.	30/147
398,264 A	2/1889	Kisner	
D30,129 S	2/1899	Whitcomb et al.	
671,740 A *	4/1901	Wattne	30/408
849,098 A	4/1907	Aufrichtig	
854,745 A	5/1907	King	

(Continued)

OTHER PUBLICATIONS

Alite, Cloverware Lite, <http://shop.alitedesigns.com/cloverware-lite.html>, downloaded on Mar. 6, 2014.

(Continued)

*Primary Examiner* — Ricky Pham

(74) *Attorney, Agent, or Firm* — Beyer Law Group LLP

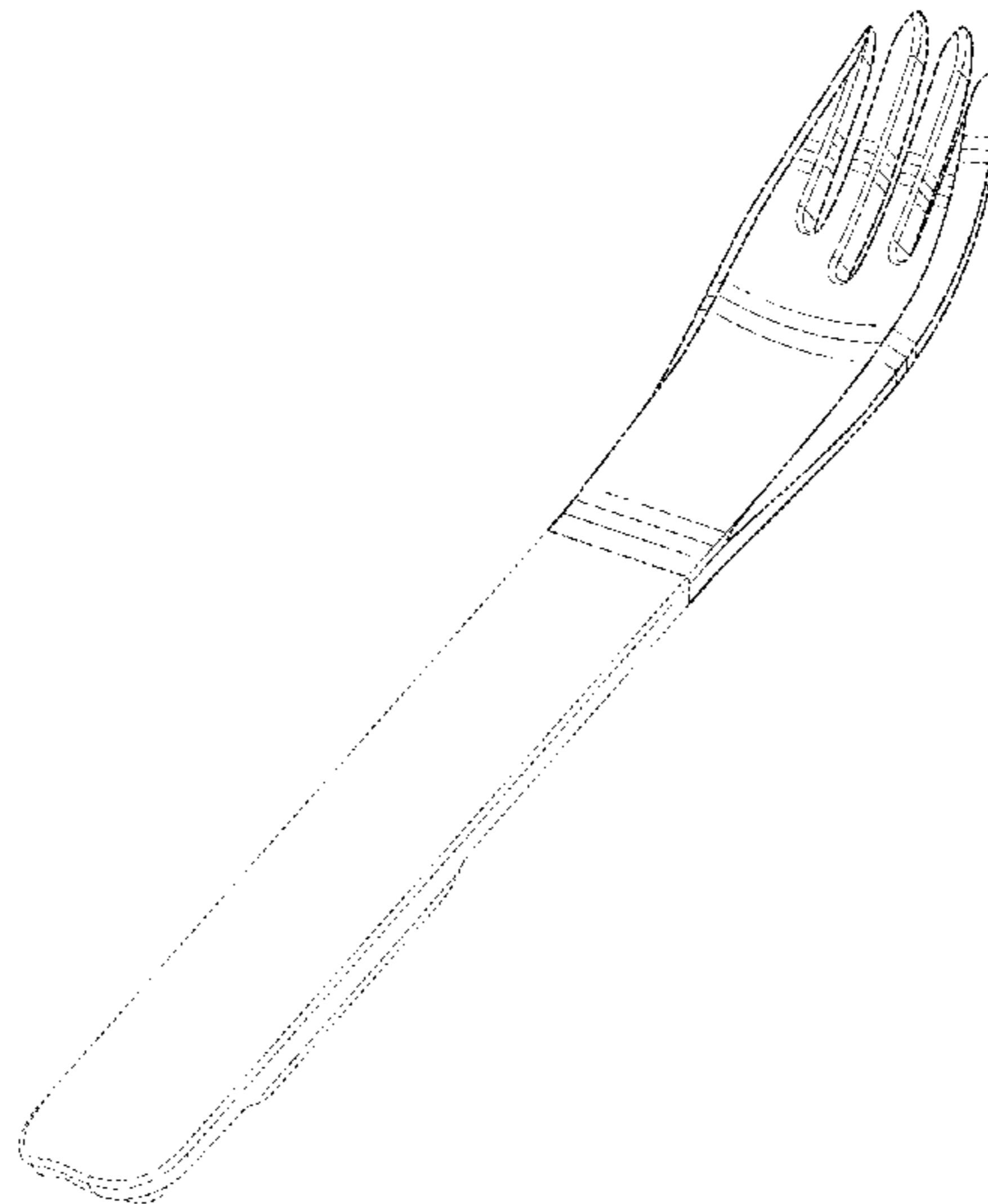
(57) **CLAIM**

We claim the ornamental design for a fork, substantially as shown and described.

**DESCRIPTION**

FIG. 1 is a top perspective view of the fork.  
FIG. 2 is a bottom perspective view of the fork.  
FIG. 3 is a top plan view of the fork.  
FIG. 4 is a bottom plan view of the fork.  
FIG. 5 is a right side elevational view of the fork.  
FIG. 6 is a left side elevational view of the fork.  
FIG. 7 is an enlarged handle end elevational view of the fork; and,  
FIG. 8 is an enlarged head end elevational view of the fork.  
The broken lines are shown for illustrative purposes only and form no part of the claimed design.

**1 Claim, 8 Drawing Sheets**



(56)

**References Cited**

U.S. PATENT DOCUMENTS

972,777 A \* 10/1910 Richardson ..... 30/147  
 1,229,696 A \* 6/1917 Woods ..... 30/143  
 D60,369 S 2/1922 Quandee et al.  
 1,452,337 A \* 4/1923 Brexel ..... 206/349  
 2,318,129 A 5/1943 Torode  
 D249,926 S 10/1978 Wong  
 D269,060 S \* 5/1983 Creamer ..... D8/13  
 D325,855 S 5/1992 Rea  
 D342,422 S 12/1993 Sanford  
 5,845,403 A 12/1998 Nivin  
 D414,988 S \* 10/1999 Santini ..... D7/644  
 D530,985 S 10/2006 Evans  
 D535,857 S 1/2007 Bristow  
 D554,951 S \* 11/2007 McGrath ..... D7/653  
 D575,593 S \* 8/2008 Svartstrom ..... D7/644  
 D608,602 S 1/2010 Davies et al.

D612,692 S \* 3/2010 Menceles ..... D7/643  
 D633,344 S \* 3/2011 Nordwall ..... D7/644  
 D718,093 S \* 11/2014 Miksovsky et al. .... D7/644  
 D722,837 S \* 2/2015 Miksovsky et al. .... D7/643  
 2014/0026425 A1 1/2014 Kim

OTHER PUBLICATIONS

Alite, Cloverware 2.0, <http://shop.alitedesigns.com/cloverware-538.html>, downloaded on Mar. 6, 2014.  
 Guyot, Microbites™, <https://www.guyotdesigns.com/product-microbites/>, downloaded on Mar. 6, 2014.  
 Guyot, Utensils, <https://www.guyotdesigns.com/utensils/>, downloaded on Mar. 6, 2014.  
 Notice of Allowance dated Oct. 22, 2014 from Design U.S. Appl. No. 29/484,447.  
 Design U.S. Appl. No. 29/484,447, filed on Mar. 10, 2014.  
 Design U.S. Appl. No. 29/510,048, filed on Nov. 24, 2014.

\* cited by examiner

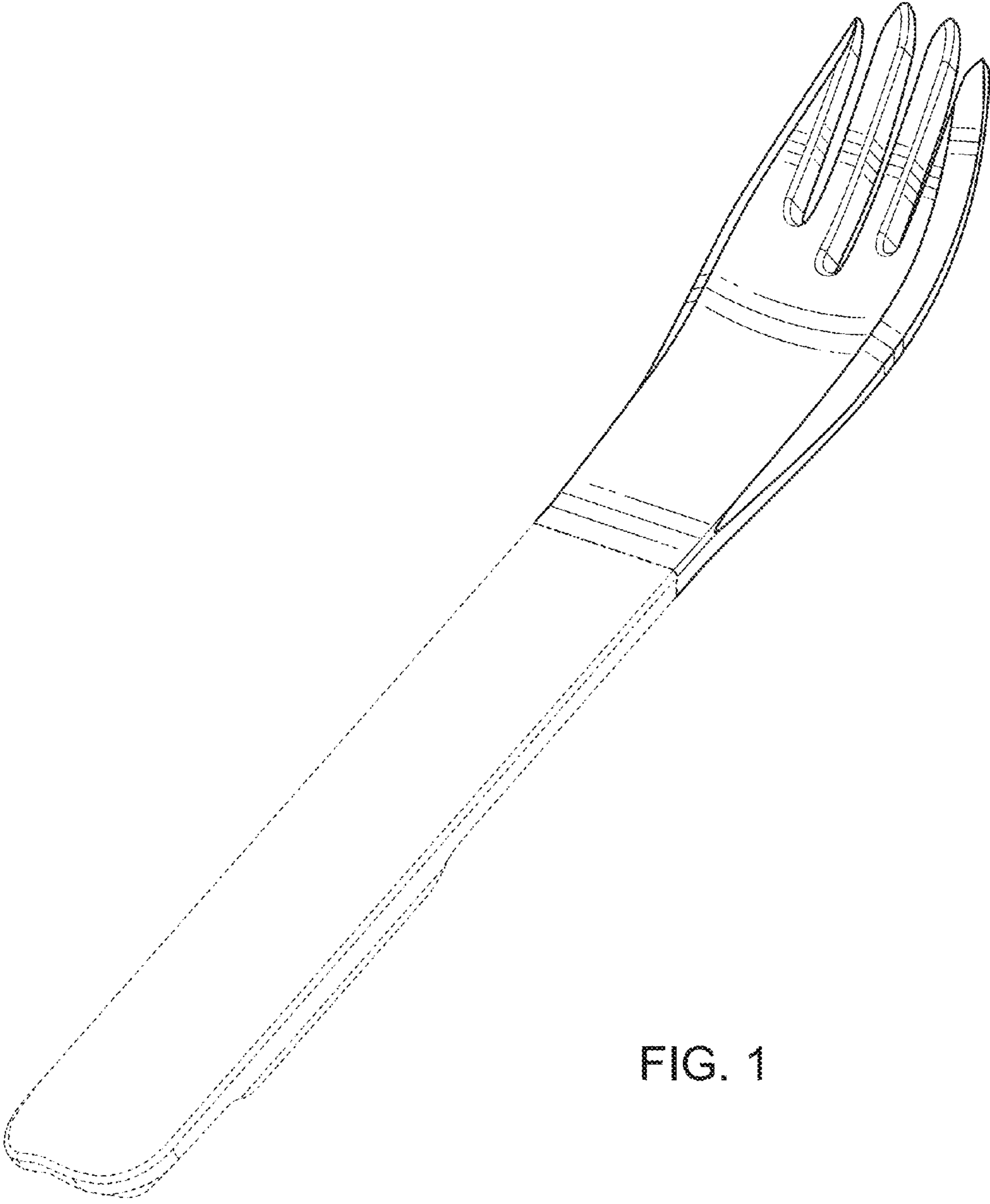


FIG. 1

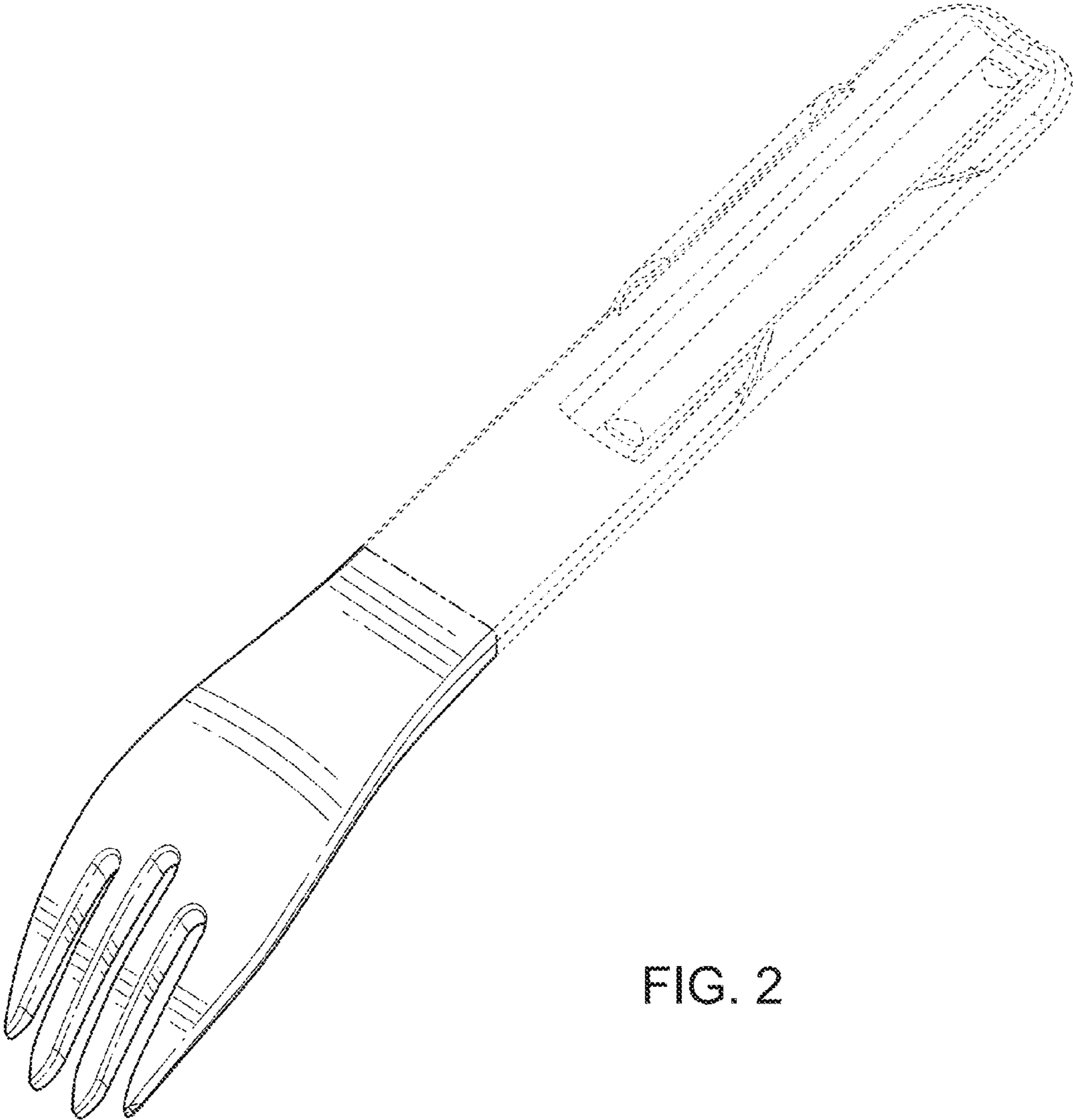


FIG. 2

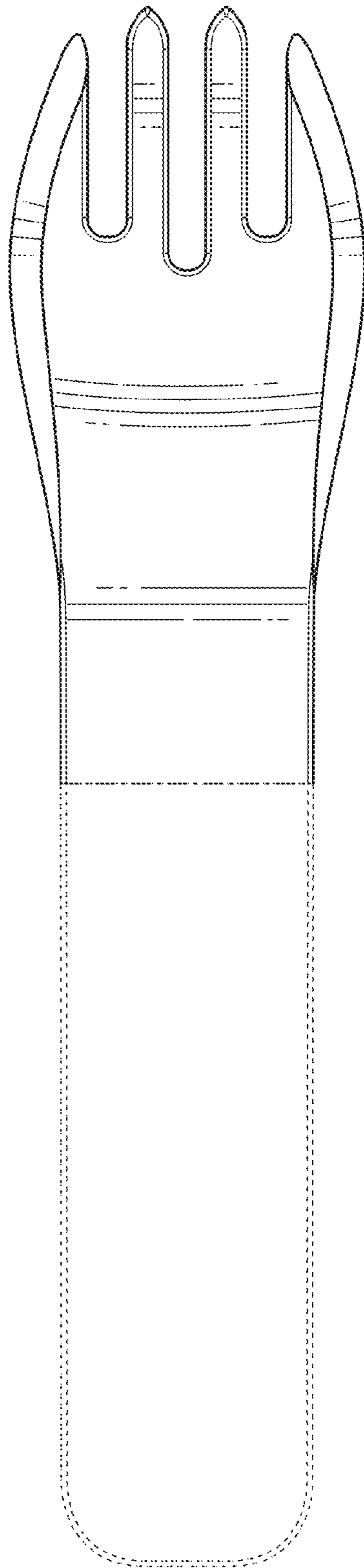


FIG. 3

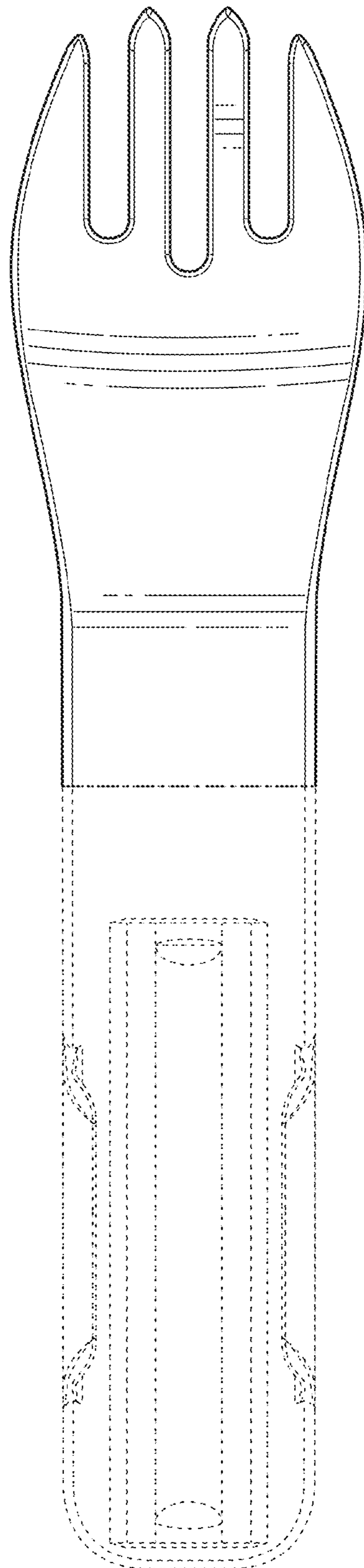


FIG. 4

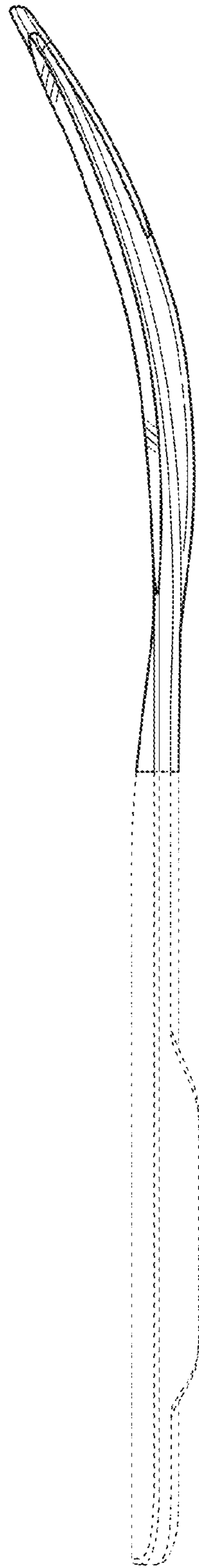


FIG. 5

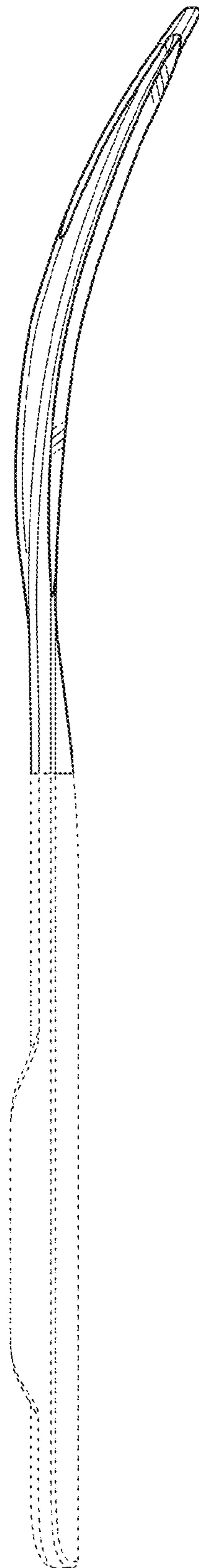


FIG. 6



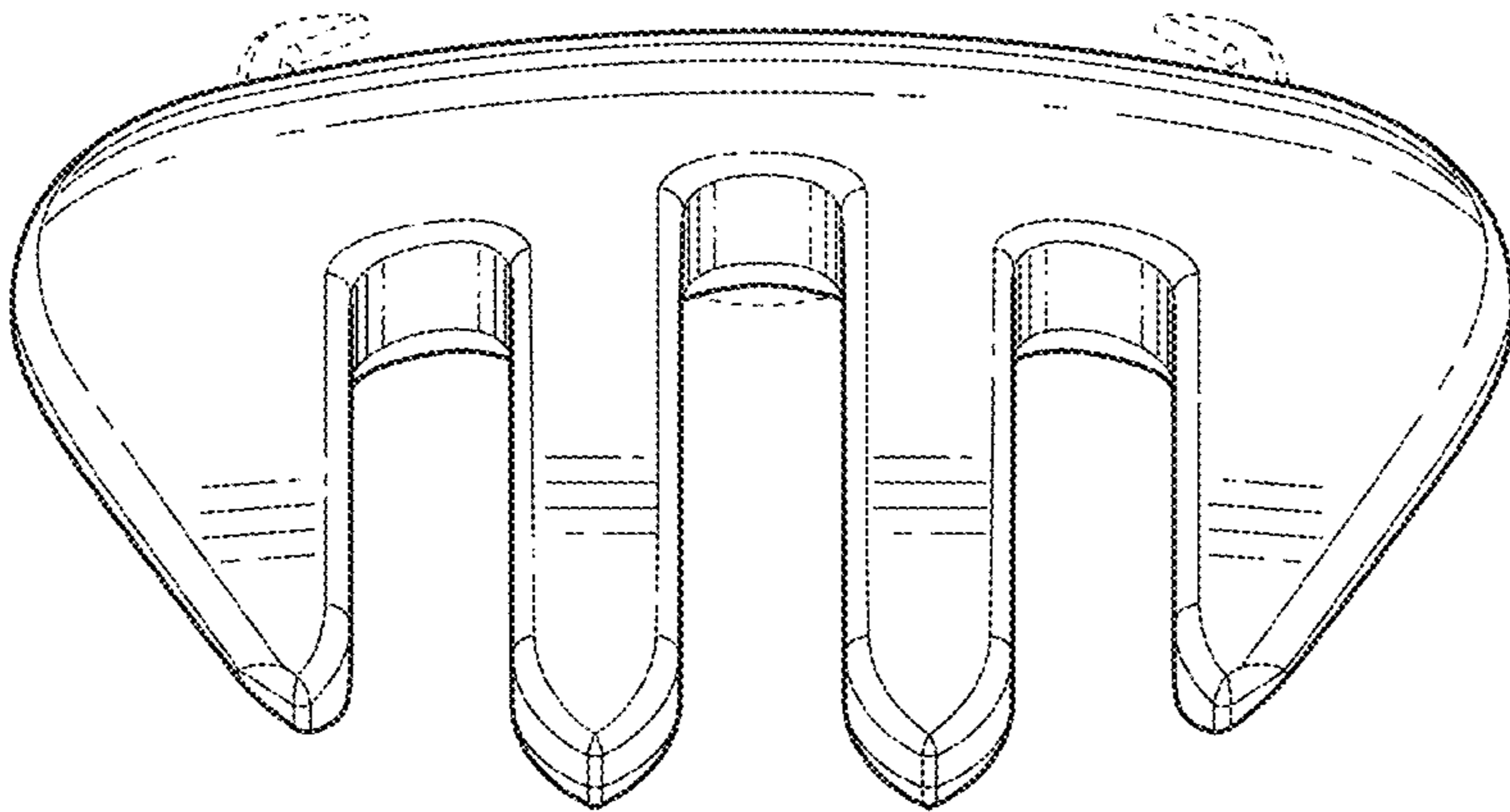


FIG. 7

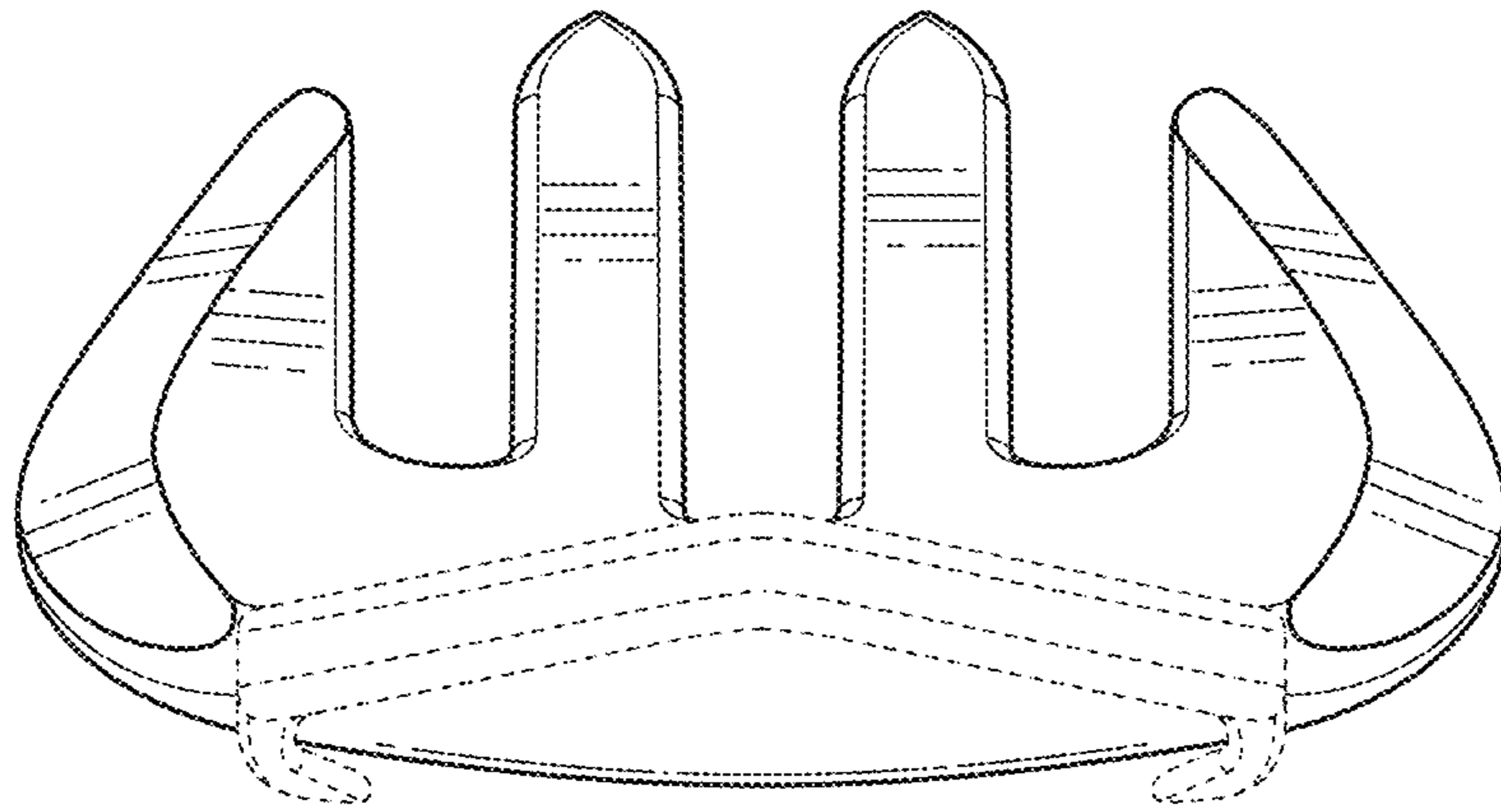


FIG. 8