



US00D740078S

(12) **United States Design Patent**
Goodman et al.

(10) **Patent No.:** **US D740,078 S**
(45) **Date of Patent:** **** Oct. 6, 2015**

(54) **UTENSIL CADDY**

- (71) Applicant: **Spectrum Diversified Designs, Inc.**,
Streetsboro, OH (US)
- (72) Inventors: **Sheldon H. Goodman**, Solon, OH (US);
Phaysouk Xayoiphonh, Akron, OH
(US); **Jennifer K Case**, Middleburg
Heights, OH (US)
- (73) Assignee: **Spectrum Diversified Designs, Inc.**,
Streetsboro, OH (US)

(**) Term: **14 Years**

(21) Appl. No.: **29/484,155**

(22) Filed: **Mar. 6, 2014**

(51) **LOC (10) Cl.** **07-06**

(52) **U.S. Cl.**

USPC **D7/640**

(58) **Field of Classification Search**

USPC D7/637-641, 619.1-625, 600.1-600.4;
D19/75, 77, 81, 84; D6/673, 675.2,
D6/675.5, 676.5, 677.5, 678.4, 680.3;
211/181.1, 70.1, 70.6, 70.7, 71.01, 74,
211/69.1-69.9, 41.1-41.4

CPC A47J 47/16; A47G 21/14

See application file for complete search history.

(56) **References Cited**

U.S. PATENT DOCUMENTS

4,836,392	A *	6/1989	Constantino	211/133.5
D397,000	S *	8/1998	Goodman et al.	D7/637
D433,287	S *	11/2000	Goodman et al.	D7/640
D591,565	S *	5/2009	Goodman et al.	D7/637
D628,858	S *	12/2010	Guindi	D7/637
D630,476	S *	1/2011	Goodman et al.	D7/637
D643,696	S *	8/2011	Goodman et al.	D7/640

OTHER PUBLICATIONS

Drawings from related U.S. Appl. No. 29/469,440, filed Oct. 10, 2013.

* cited by examiner

Primary Examiner — Terry Wallace

(74) *Attorney, Agent, or Firm* — Renner, Otto, Boisselle & Sklar, LLP

(57) **CLAIM**

The ornamental design for a utensil caddy, as shown and described.

DESCRIPTION

FIG. 1 is an enlarged perspective view of a utensil caddy showing our new design.

FIG. 2 is a front view thereof, a rear view being a mirror image of the front view.

FIG. 3 is a right side view thereof.

FIG. 4 is a left side view thereof.

FIG. 5 is a cross-section showing the surface contour of a wire element of the utensil caddy taken along the line 5-5 in FIG. 3 and shown in the scale of FIG. 3.

FIG. 6 is a bottom view thereof.

FIG. 7 is a top view thereof.

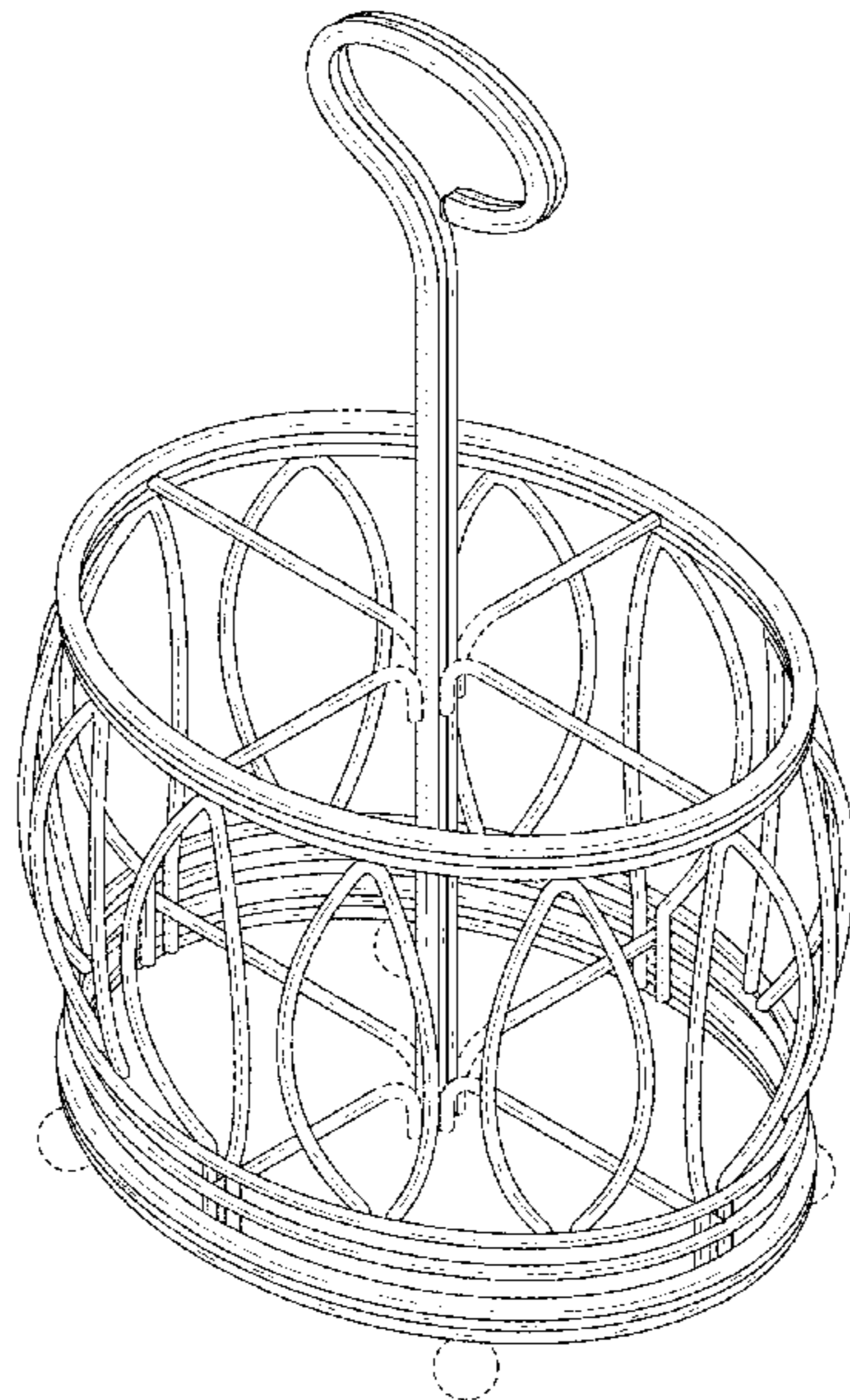
FIG. 8 is a fragmentary view, on an enlarged scale, of an alternative mesh material used to form the bottom wall denoted by the number 8 in FIG. 6.

FIG. 9 is an enlarged perspective view of the utensil caddy, which is the same as the utensil caddy of FIGS. 1-8 but the cross-sectional shape of the wire forming the upper and lower rims and a handle member is different; and,

FIG. 10 is a cross-section showing the surface contour of a wire element of the utensil caddy taken along the line 10-10 in FIG. 9 and shown in the scale of FIG. 9.

The broken lines shown herein are for illustrative purposes only and form no part of the claimed design.

1 Claim, 4 Drawing Sheets



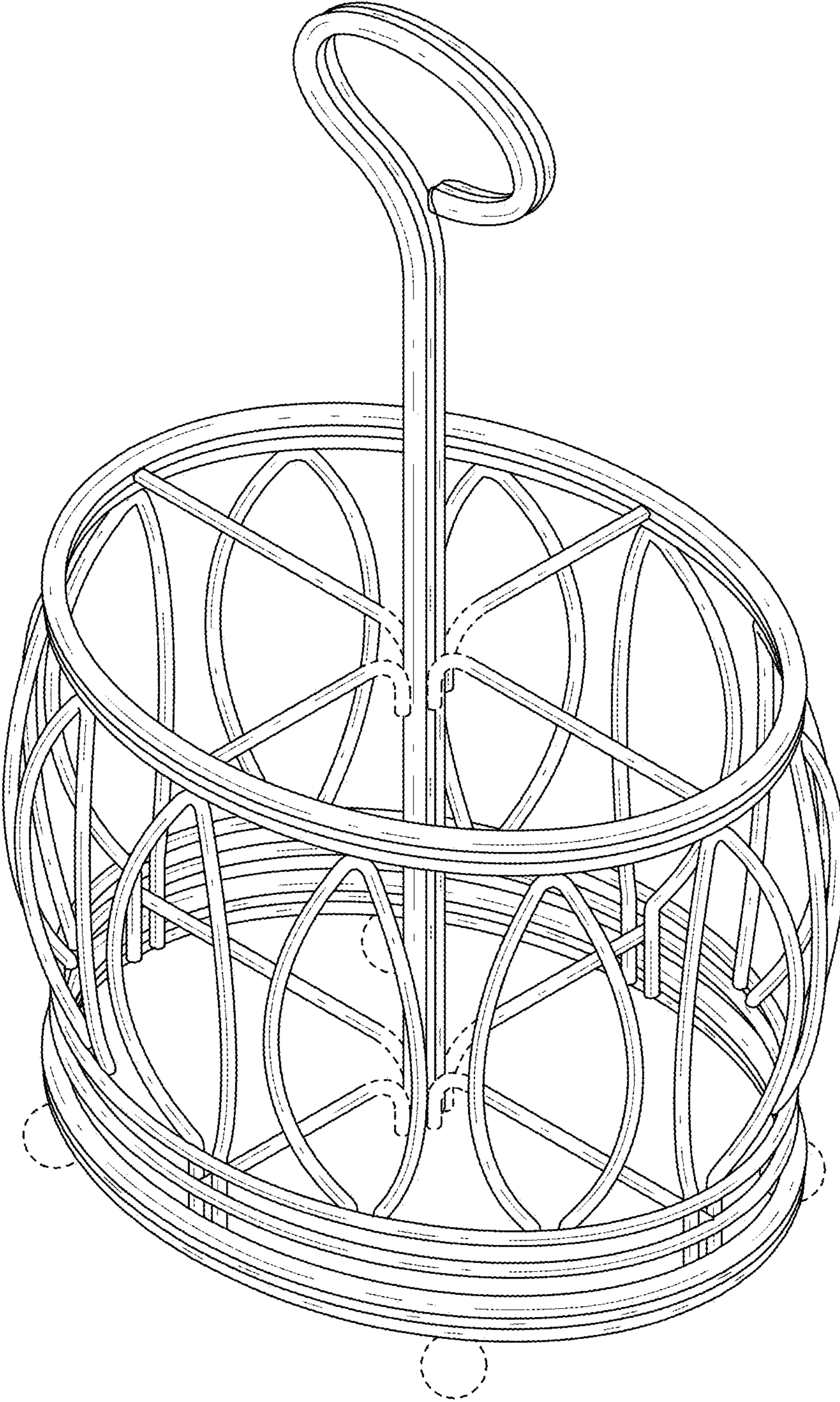


FIG. 1

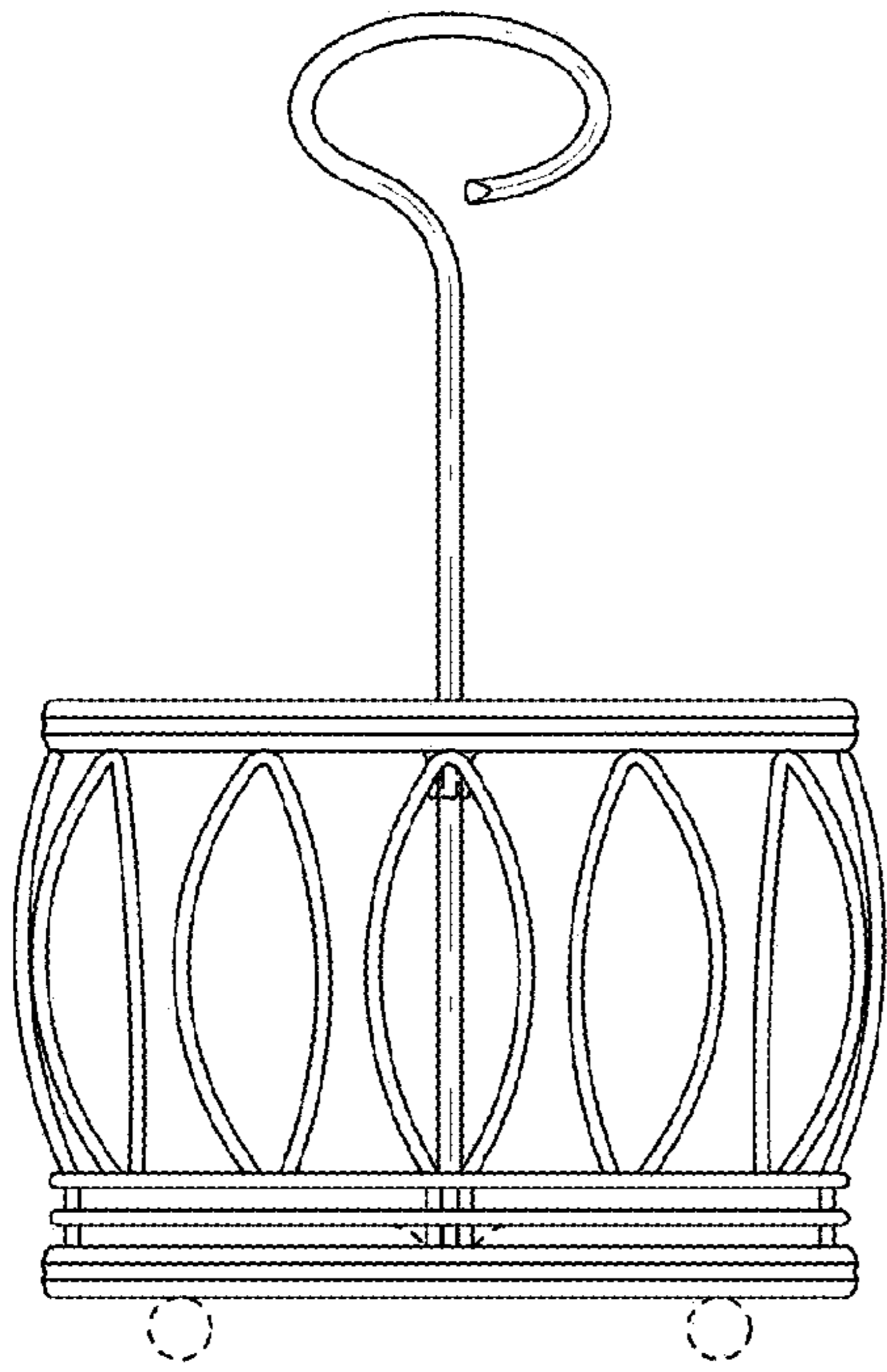


FIG. 2

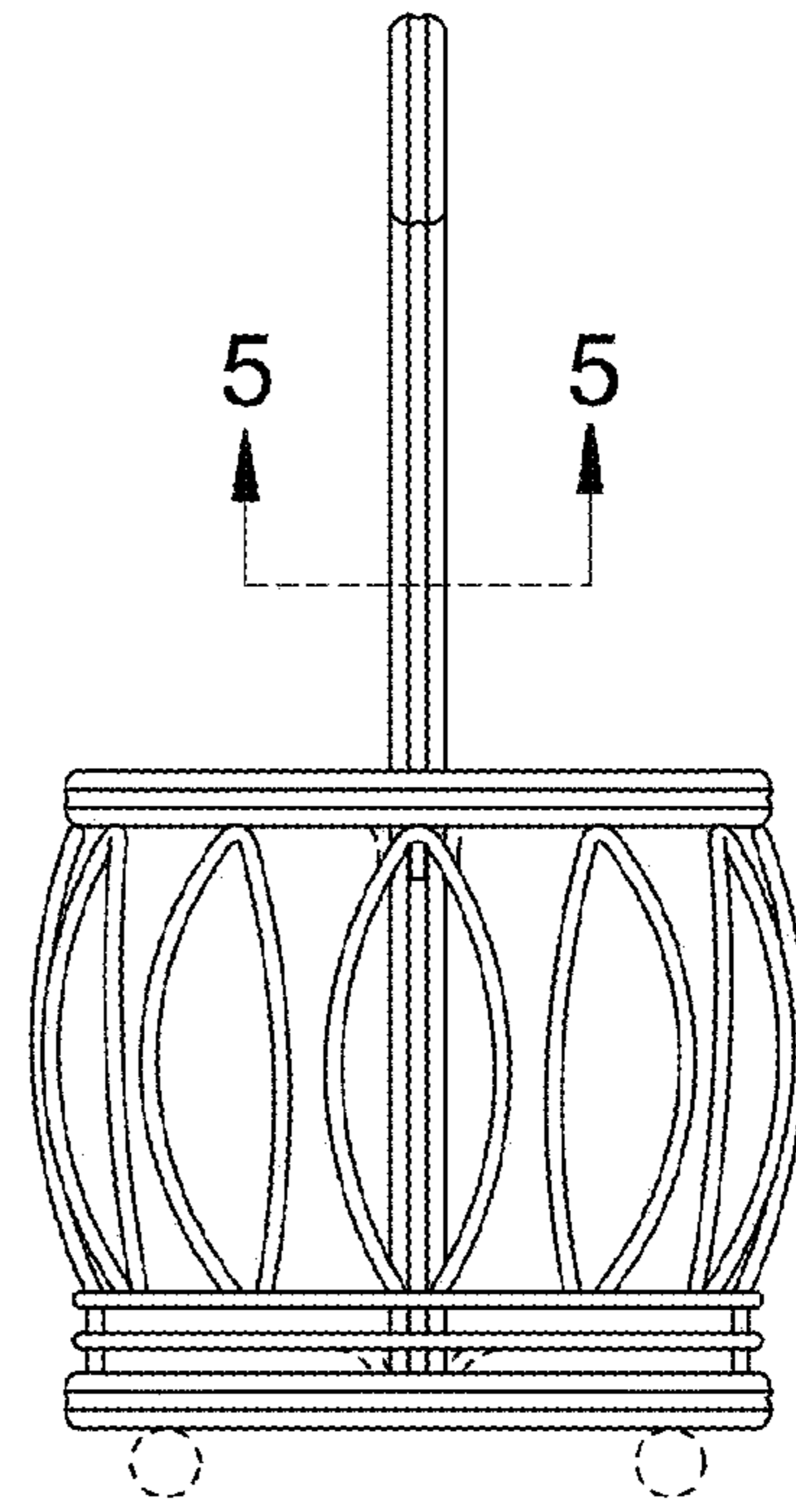


FIG. 3

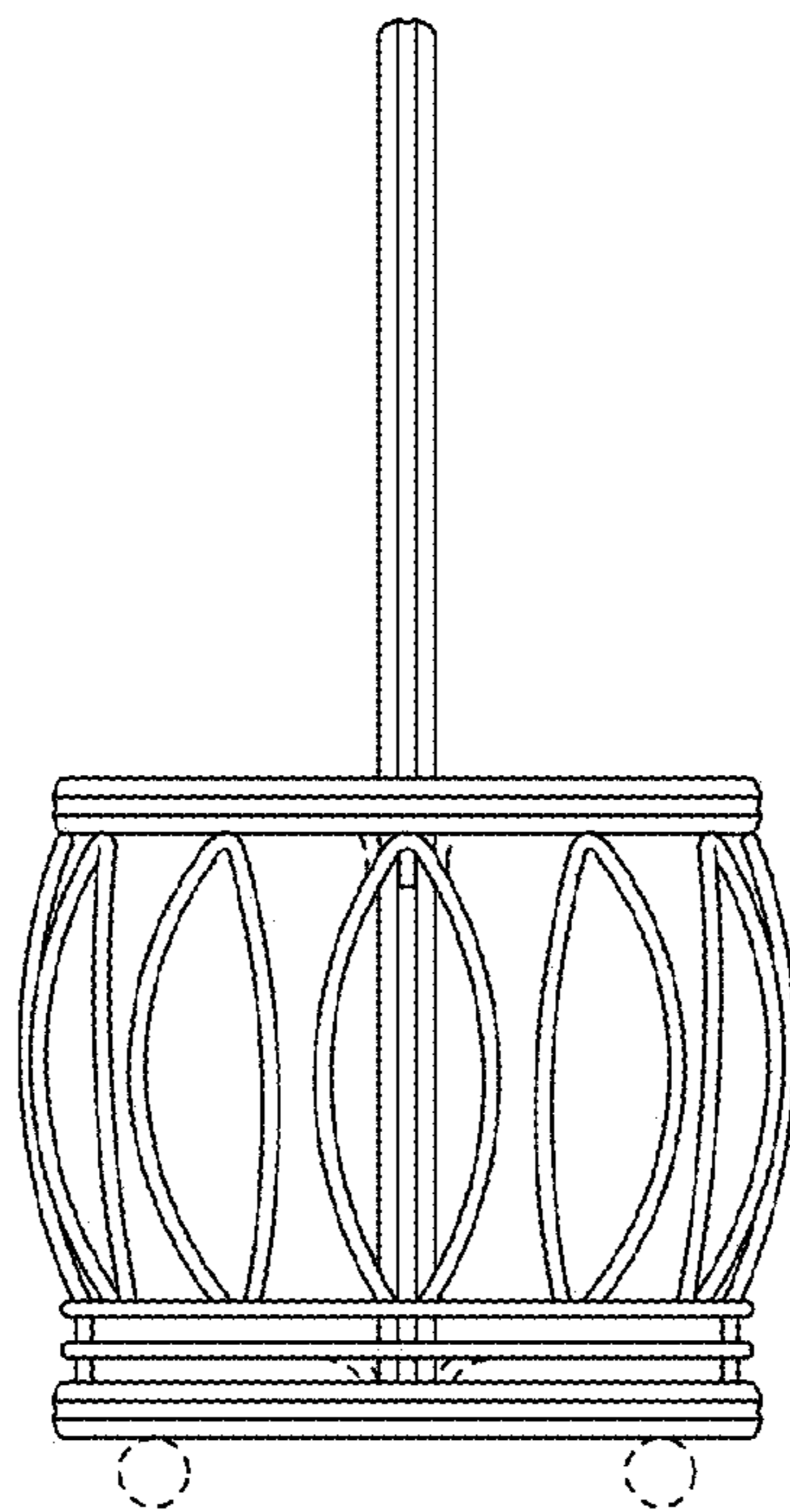


FIG. 4



FIG. 5

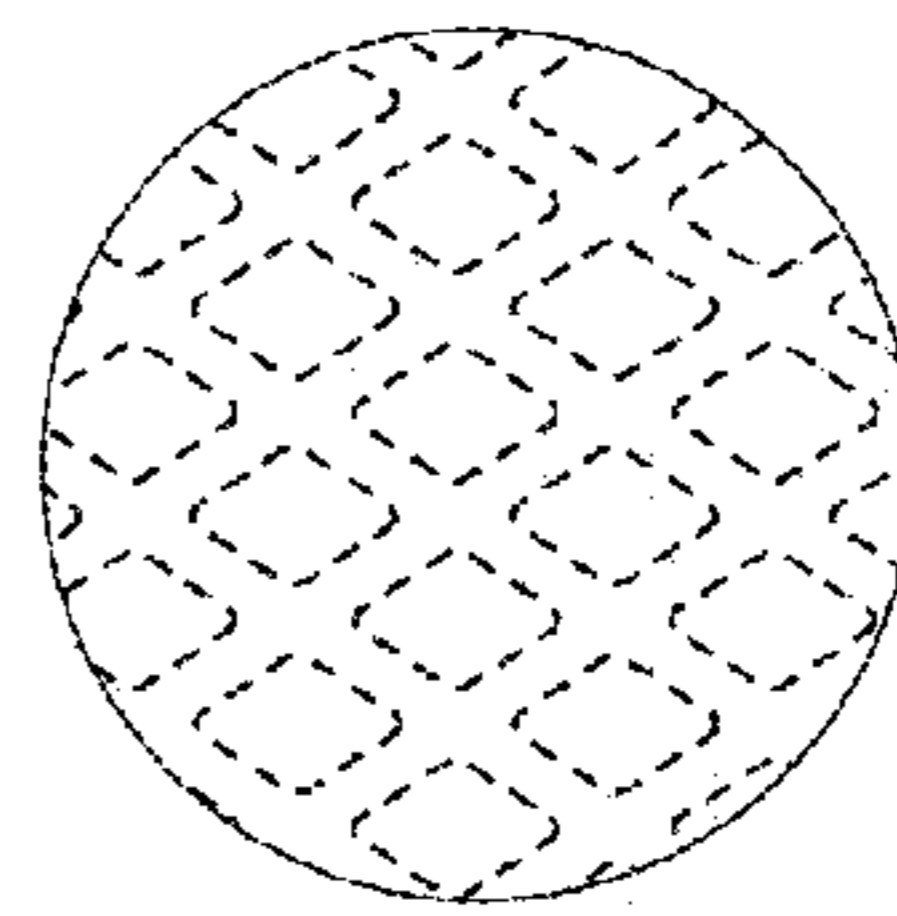


FIG. 8

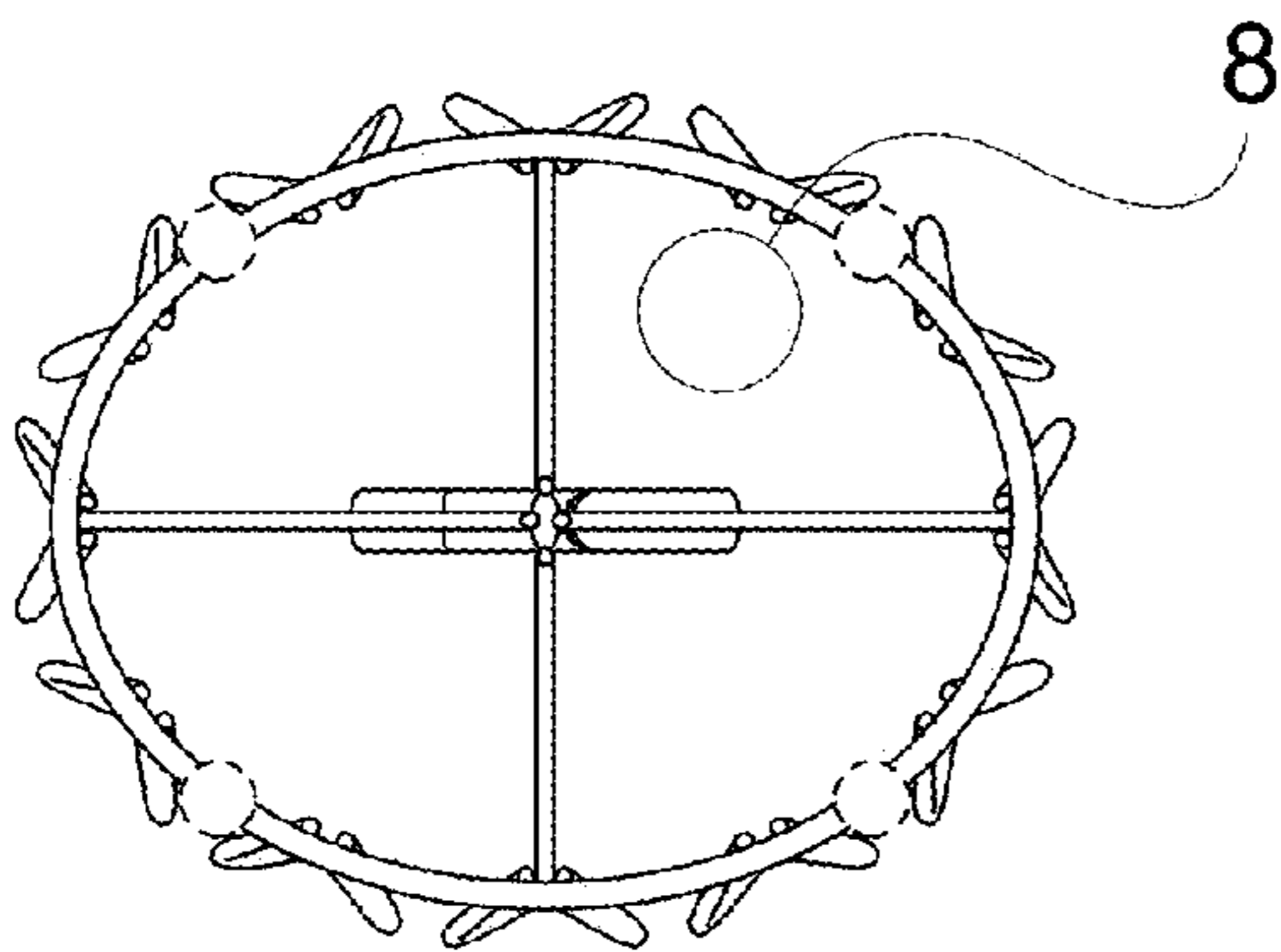


FIG. 6

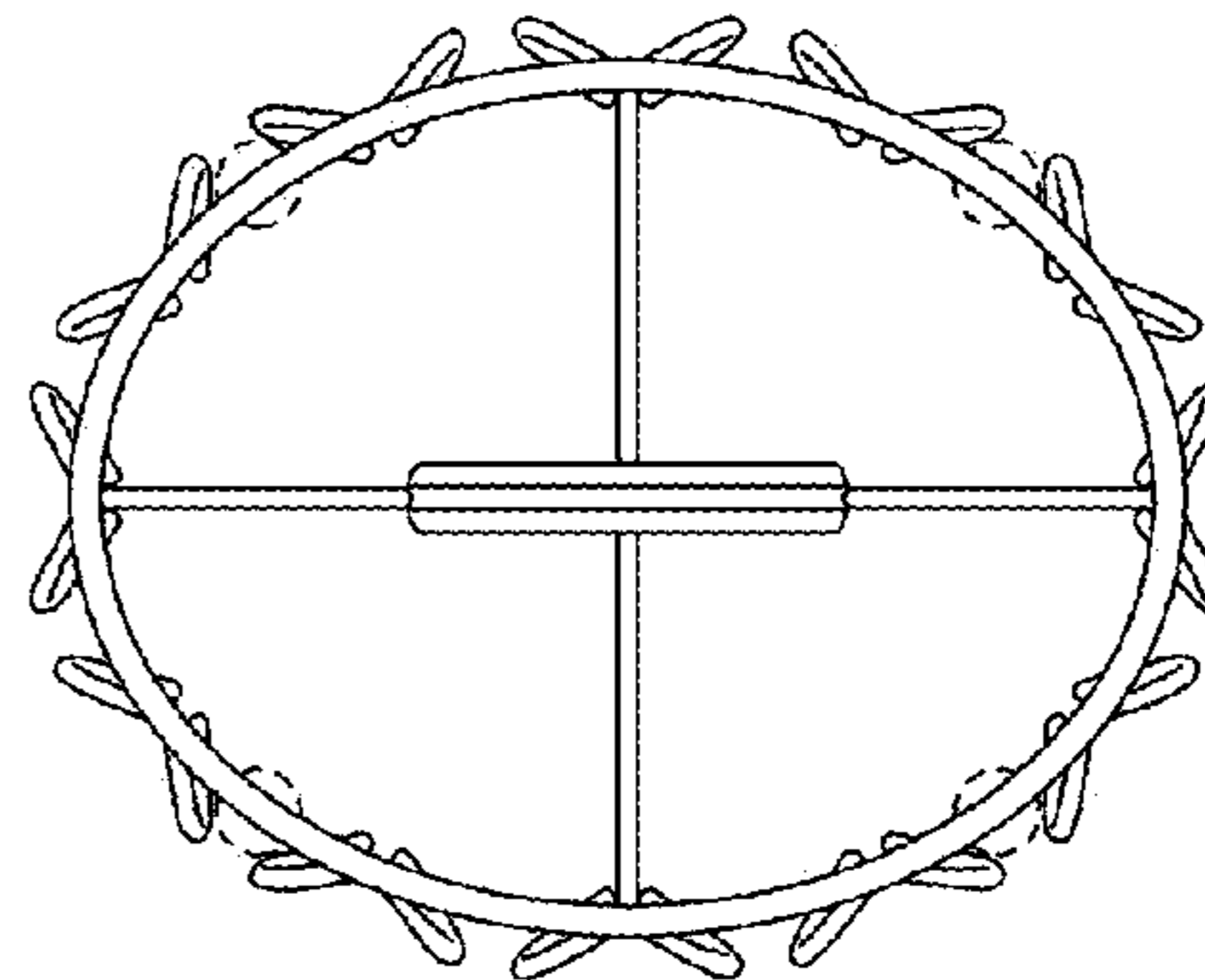


FIG. 7

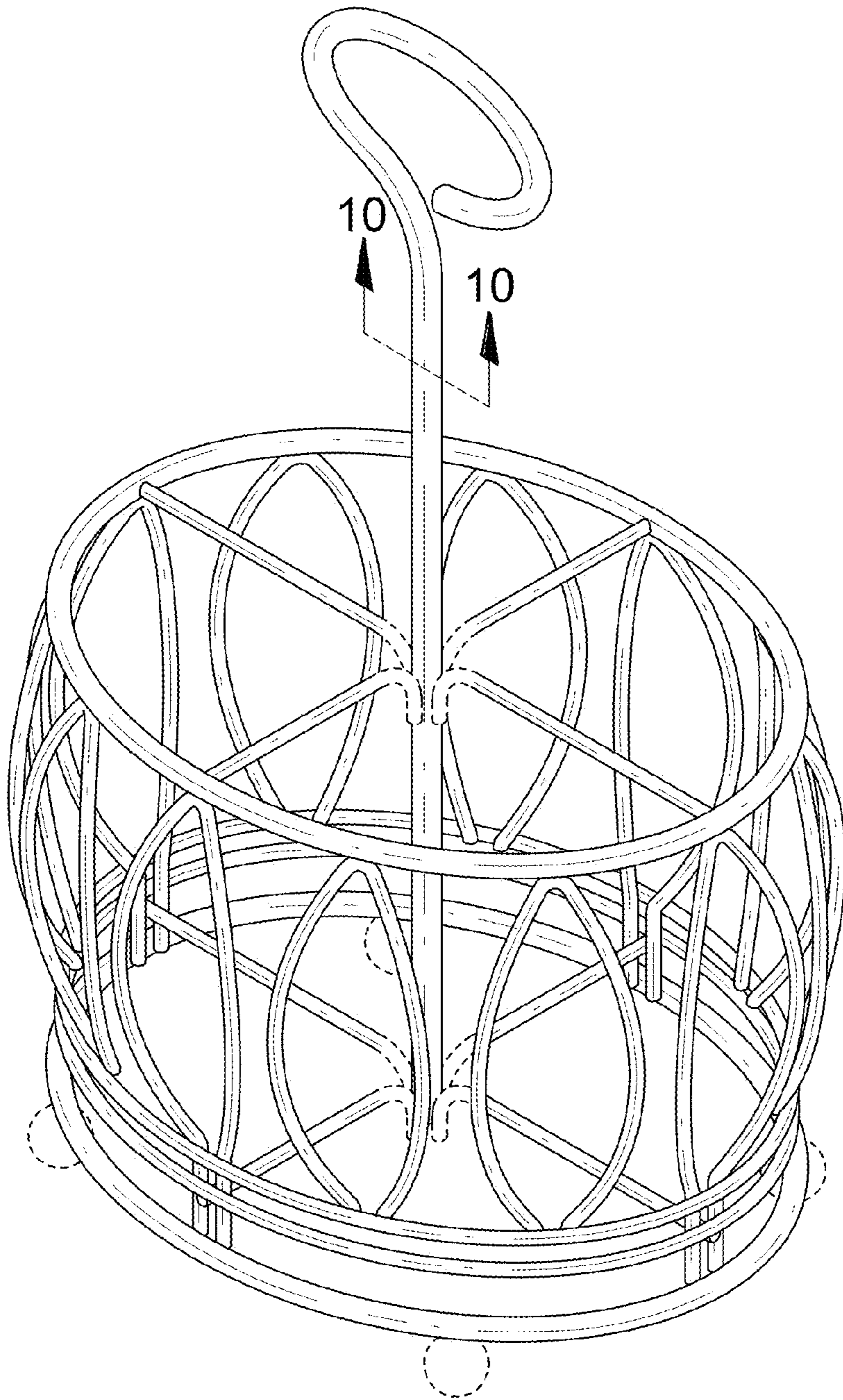


FIG. 9



FIG. 10