



US00D740076S

(12) **United States Design Patent**
Hwang

(10) **Patent No.:** **US D740,076 S**
(45) **Date of Patent:** **** Oct. 6, 2015**

(54) **FOOD CONTAINER**

(71) Applicant: **SAMKWANG GLASS CO., LTD.**,
Gyeonggi-do (KR)

(72) Inventor: **Do Hwan Hwang**, Seoul (KR)

(73) Assignee: **Samkwang Glass Co., Ltd.**,
Gyeonggi-do (KR)

(**) Term: **14 Years**

(21) Appl. No.: **29/451,688**

(22) Filed: **Apr. 5, 2013**

(30) **Foreign Application Priority Data**

Sep. 11, 2012 (KR) 30-2012-0043648

(51) **LOC (10) Cl.** **07-01**

(52) **U.S. Cl.**
USPC **D7/602**

(58) **Field of Classification Search**

USPC D7/672, 601, 550.1, 551.1, 551.2,
D7/551.3, 552.1, 552.2, 553.1, 553.2,
D7/553.3, 553.4, 553.5, 553.7, 553.8,
D7/554.1, 554.3, 554.4, 555, 557, 602,
D7/629, 630, 538-542, 612-615, 584, 586,
D7/587, 392.1, 709, 502, 608, 622;
D9/424-432, 414-423; D3/273,
D3/201-206, 276, 283, 284, 295, 274,
D3/302; 229/107, 406, 120, 125.17, 4.5,
229/938; 220/669-673, 675, 574-575,
220/573.1, 4.21, 660, 326, 236, 780-795,
220/796-806, 4.24, 288, 260, 266, 306,
220/352, 356, 4.01; 190/109, 110; 426/106;
206/216, 217, 541-550, 223, 467;
62/440

CPC B65D 25/04; B65D 81/18; B65D 81/00;
B65D 81/22; B65D 81/24; B65D 81/34;
B65D 81/3446; B65D 77/0433; B65D
2543/00203; B65D 2543/00509; B65D
2543/00555; B65D 2543/00694; B65D
2543/00805; B65D 2543/00972; B65D
2543/0268; B65D 2543/00277; B65D
2543/00314; B65D 2543/00305; B65D
2543/00425; B65D 2543/00435; B65D

2543/00592; B65D 2543/00602; B65D
2543/007; B65D 2543/00101; B65D
2543/00351; B65D 2543/0062; B65D 53/02;
B65D 45/22; B65D 23/00; B65D 1/34;
B65D 1/42; B65D 43/0206; B65D 21/0219;
B65D 21/0222; B65D 1/00; B65D 1/46;
B65D 3/00; B65D 3/02; B65D 3/04; B65D
3/08; B65D 3/10; B65D 3/16; B65D 7/00;
B65D 7/02; B65D 7/04; B65D 7/08; B65D
7/10; B65D 7/16; B65D 11/00; B65D 11/02;
B65D 15/00; B65D 15/02; B65D 15/16;
B65D 21/02; B65D 21/0209; B65D 21/00;
B65D 25/20; B65D 25/2882; B65D 250/10;
B65D 43/0218; B65D 2543/00537

See application file for complete search history.

(56) **References Cited**

U.S. PATENT DOCUMENTS

D30,087 S * 1/1899 Kremer D9/500
2,018,742 A * 10/1935 Rasmussen 220/788
2,034,181 A * 3/1936 Harris 266/262
3,424,342 A * 1/1969 Scopp et al. 220/793

(Continued)

Primary Examiner — Ian Simmons

Assistant Examiner — Shannon Morgan

(74) *Attorney, Agent, or Firm* — Marshall & Melhorn, LLC

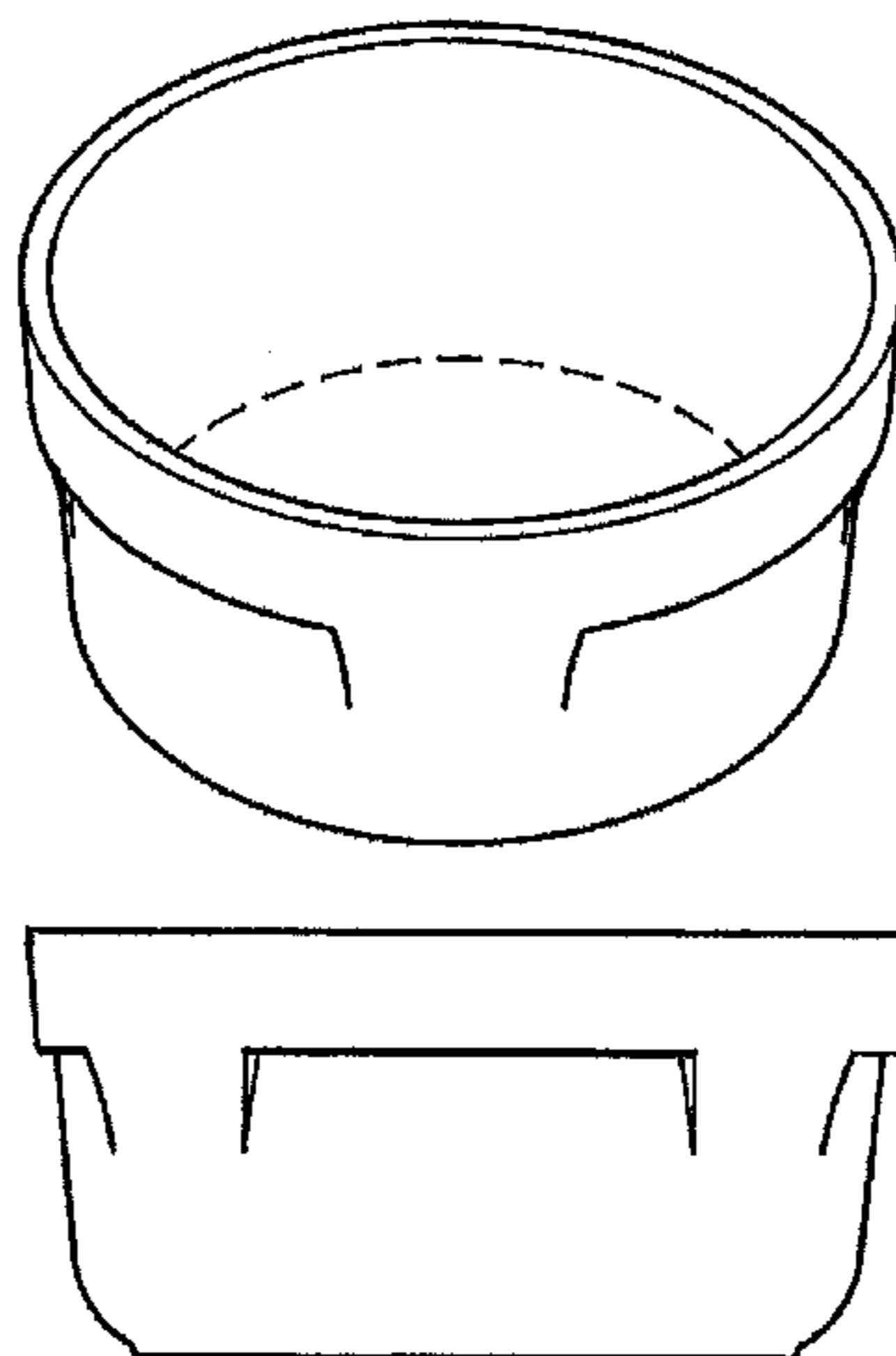
(57) **CLAIM**

The ornamental design for a food container, as shown and described.

DESCRIPTION

FIG. 1 is a perspective view of a food container showing my new design;
FIG. 2 is a front elevational view thereof; the rear elevational view being an identical mirror image thereof;
FIG. 3 is a top plan view thereof; and,
FIG. 4 is a bottom plan view thereof.

1 Claim, 2 Drawing Sheets



(56)

References Cited

U.S. PATENT DOCUMENTS

D213,310 S *	2/1969	Collie	D9/425	D575,115 S *	8/2008	Zimmerman	D7/629
D239,999 S *	5/1976	Christain	D7/584	D575,589 S *	8/2008	Fadda	D7/584
D244,246 S *	5/1977	Daenen	D7/540	D578,830 S *	10/2008	Freeman	D7/586
D282,809 S *	3/1986	Daenen et al.	D7/602	D601,309 S *	9/2009	Babal	D30/129
D286,726 S *	11/1986	Daenen et al.	D7/587	D606,813 S *	12/2009	Kim	D7/629
D286,844 S *	11/1986	Daenen et al.	D7/586	D615,821 S *	5/2010	Stamper	D7/541
4,674,644 A *	6/1987	Jacobs	215/320	D631,708 S *	2/2011	Smyers	D7/629
D316,513 S *	4/1991	Wolff	D9/431	D633,757 S *	3/2011	Smyers	D7/629
D319,978 S *	9/1991	Wolff	D9/431	D636,641 S *	4/2011	Smyers	D7/629
D367,589 S *	3/1996	Zimmerman	D7/629	D644,068 S *	8/2011	Usrey	D7/538
D420,857 S *	2/2000	Loew et al.	D7/558	D651,475 S *	1/2012	Lindsay et al.	D7/629
6,269,967 B1 *	8/2001	de Vries	220/669	D651,478 S *	1/2012	Nie	D7/629
D451,348 S *	12/2001	Benson	D7/565	D652,265 S *	1/2012	Lindsay et al.	D7/629
D488,031 S *	4/2004	Kim	D7/629	D660,093 S *	5/2012	Kyung	D7/629
D501,366 S *	2/2005	Claypool et al.	D7/602	D660,658 S *	5/2012	Kyung	D7/629
D508,188 S *	8/2005	Zettle et al.	D7/629	D669,313 S *	10/2012	Paladino et al.	D7/602
D518,685 S *	4/2006	Aalberts	D7/590	D690,166 S *	9/2013	Montgomery	D7/586
D523,296 S *	6/2006	Kim	D7/629	D696,075 S *	12/2013	Mashike	D7/605
D528,866 S *	9/2006	Laib et al.	D7/565	D699,078 S *	2/2014	Katterheinrich et al.	D7/587
D542,098 S *	5/2007	Wasserman et al.	D7/584	2010/0084396 A1 *	4/2010	Wu	220/203.29
7,216,769 B2 *	5/2007	Palder	211/49.1	2012/0024856 A1 *	2/2012	Smyers	220/324
D562,083 S *	2/2008	Lown et al.	D7/629	2012/0248116 A1 *	10/2012	Smyers et al.	220/324
D575,114 S *	8/2008	Moghavem	D7/629	2013/0233753 A1 *	9/2013	Harvey et al.	206/508
				2014/0069925 A1 *	3/2014	Hwang	220/315
				2014/0103033 A1 *	4/2014	Beckman	220/4.01

* cited by examiner

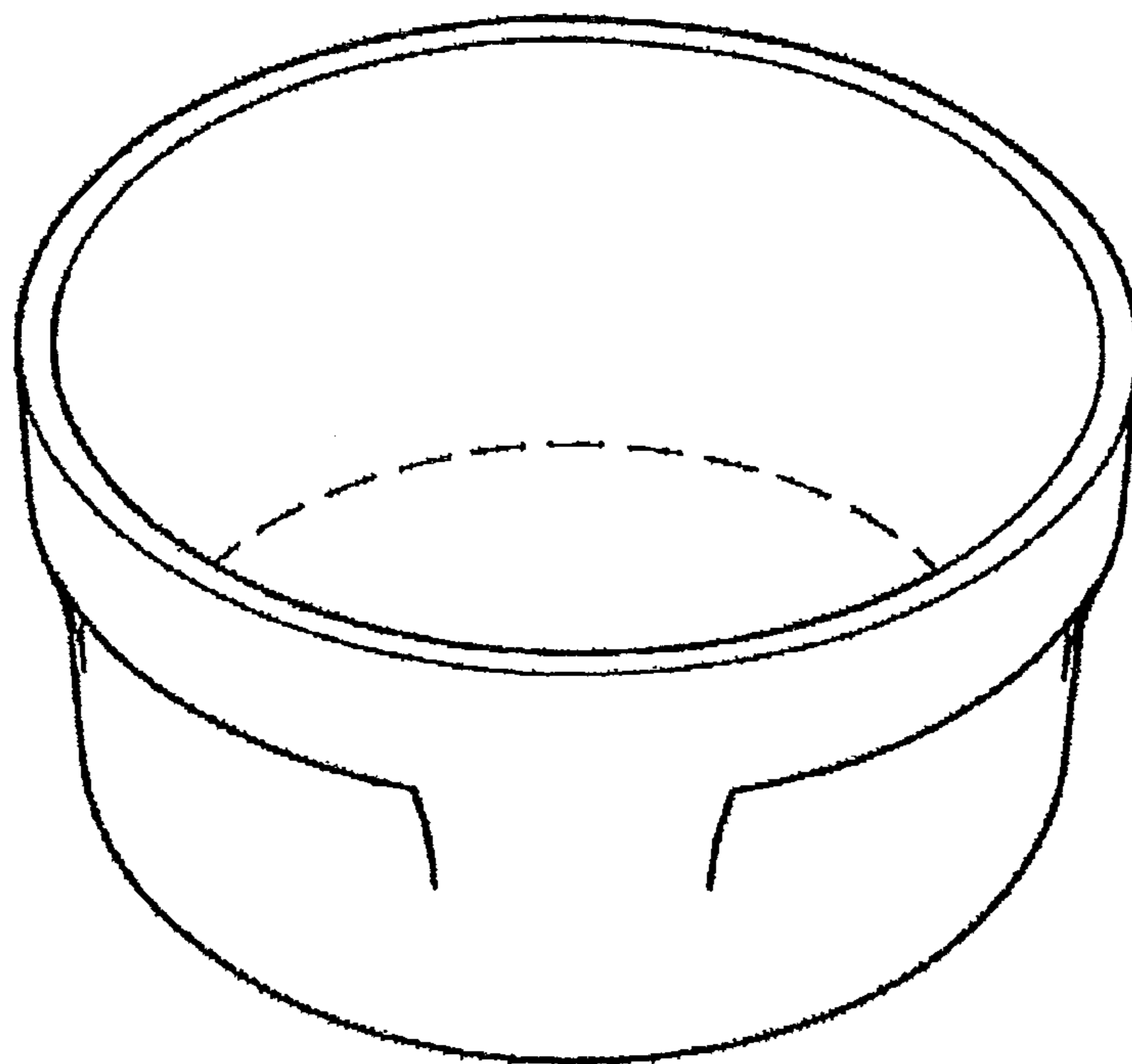


FIG. 1

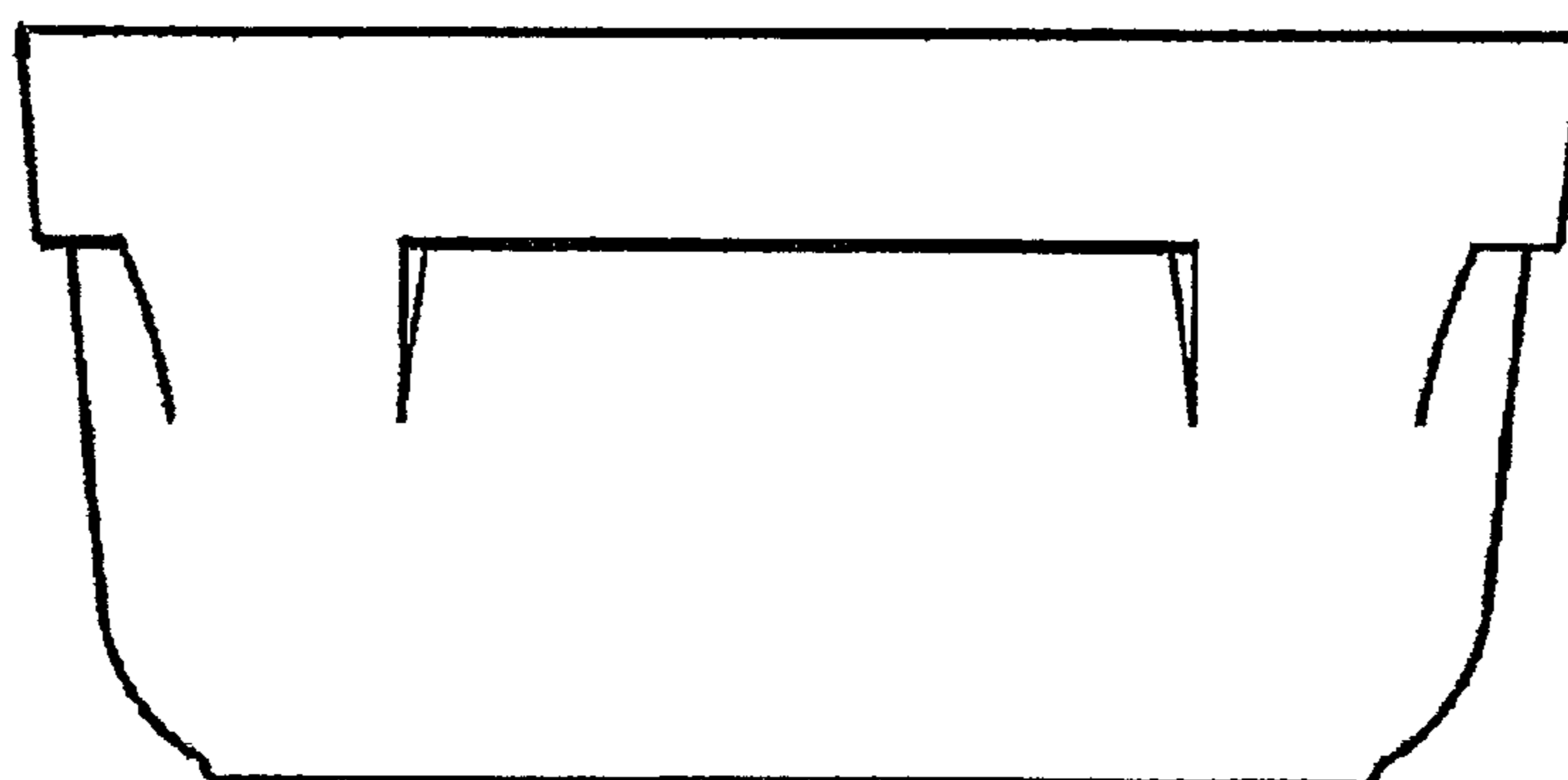


FIG. 2

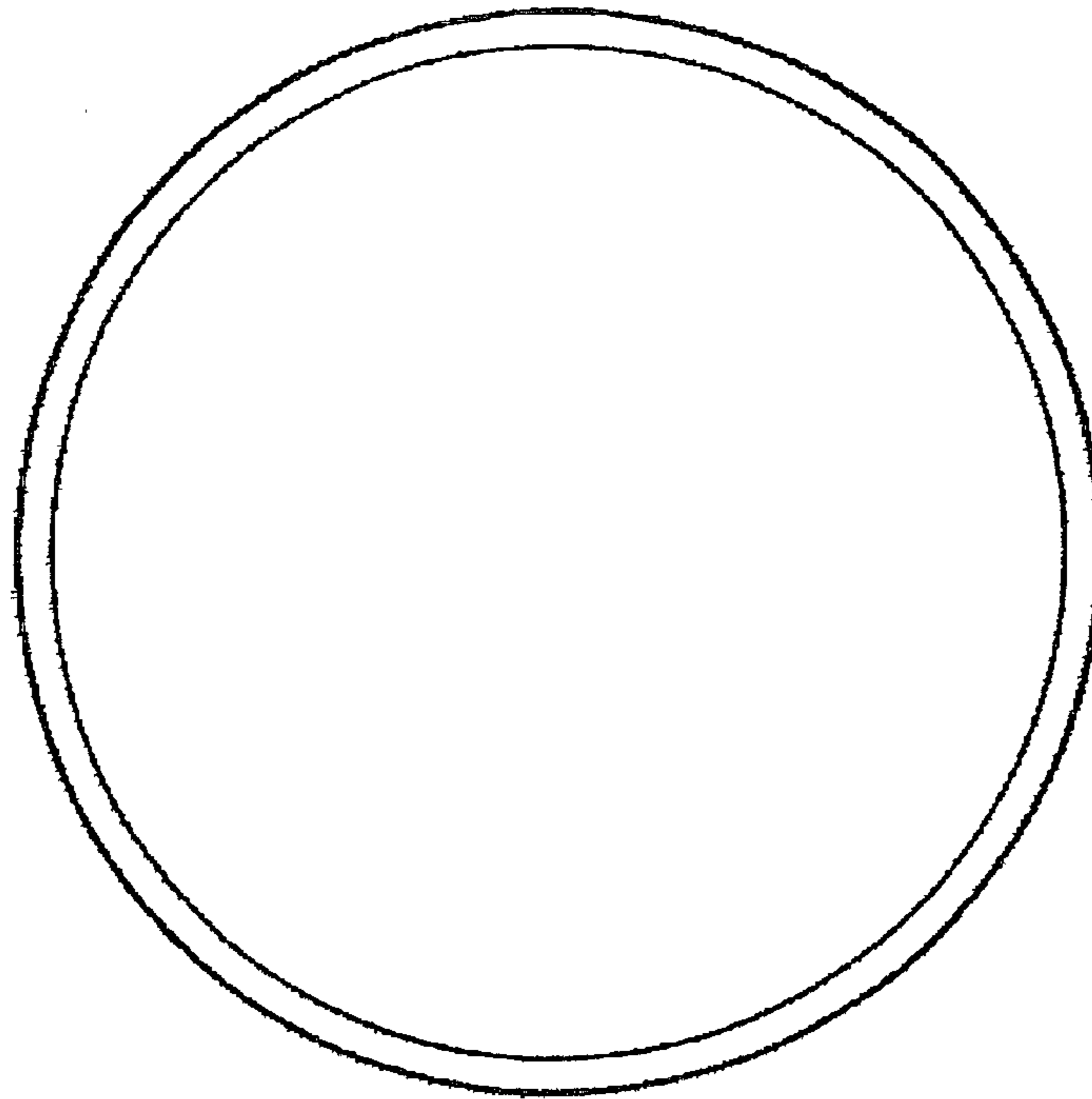


FIG. 3

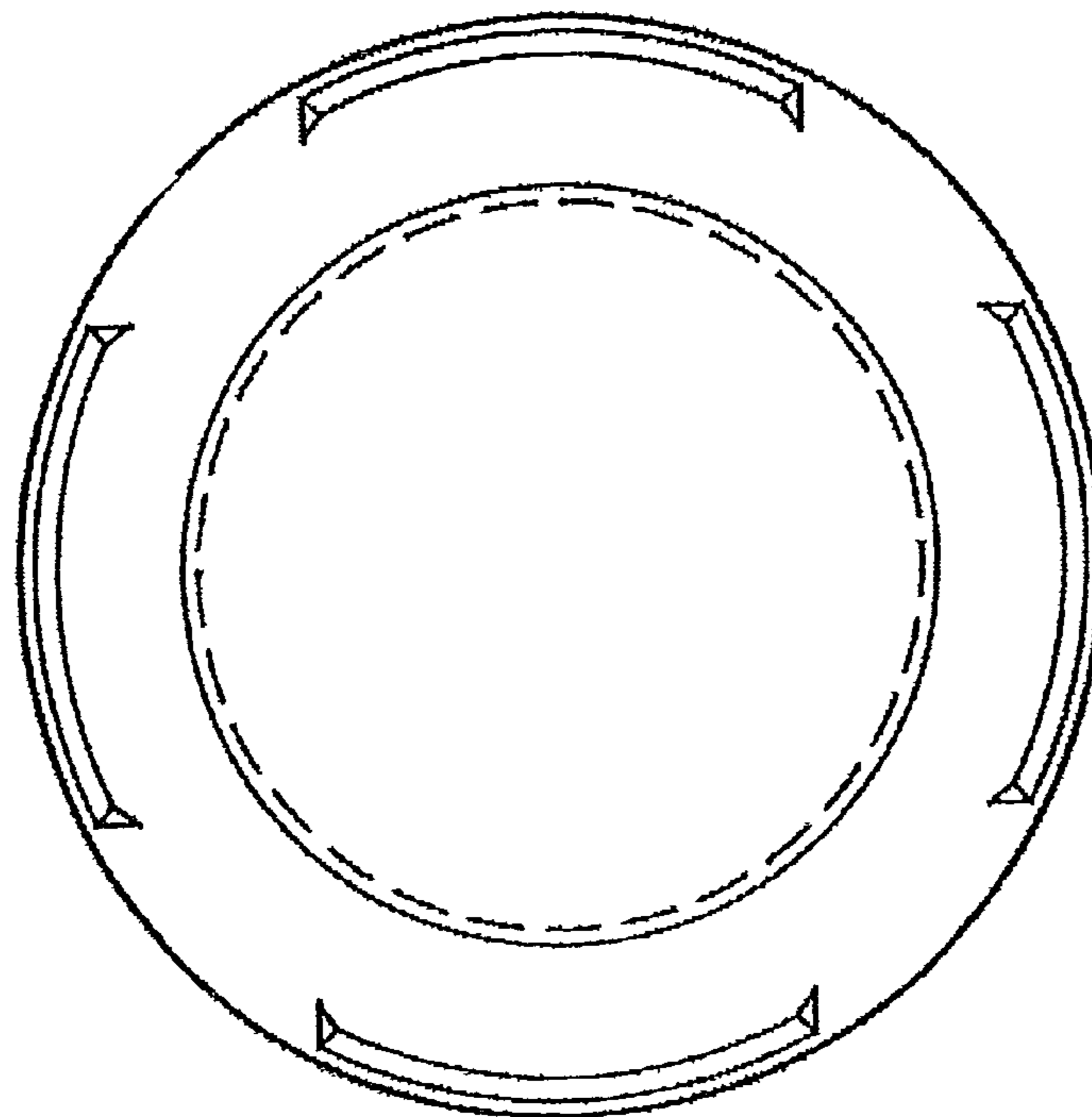


FIG. 4