



US00D740075S

(12) **United States Design Patent**
Dekar

(10) **Patent No.:** **US D740,075 S**

(45) **Date of Patent:** **** Oct. 6, 2015**

(54) **BASE FOR A SELF-FEEDING DEVICE FOR AN INDIVIDUAL**

(71) Applicant: **Jonathan P Dekar**, Bloomfield Hills, MI (US)

(72) Inventor: **Jonathan P Dekar**, Bloomfield Hills, MI (US)

(73) Assignee: **Desin, LLC**, Birmingham, MI (US)

(**) Term: **14 Years**

(21) Appl. No.: **29/452,200**

(22) Filed: **Apr. 12, 2013**

Related U.S. Application Data

(63) Continuation-in-part of application No. 13/834,245, filed on Mar. 15, 2013, now Pat. No. 8,761,922, which is a continuation-in-part of application No. 13/529,536, filed on Jun. 21, 2012, now Pat. No. 8,442,669.

(51) **LOC (10) Cl.** **07-01**

(52) **U.S. Cl.**
USPC **D7/557**

(58) **Field of Classification Search**

USPC D7/543, 545–546, 549, 550.1, 551.1, D7/553.1–553.8, 555, 558, 560, 571, D7/584–588, 601–602, 610–614, 360, D7/554.1–554.4, 564–565, 354, 505, D7/396.6, 537; 220/574–575; D9/737; D30/129, 130; 414/9
CPC A47G 19/02–19/08; A47G 21/14; A47G 21/145

See application file for complete search history.

(56) **References Cited**

U.S. PATENT DOCUMENTS

608,144	A *	7/1898	Porter	D7/611
2,314,935	A *	3/1943	Gutterman	206/563
2,844,258	A *	7/1958	Faber	D7/546
D231,747	S *	6/1974	Davis	D7/557
3,885,681	A *	5/1975	Mancino	414/9
D252,066	S *	6/1979	Jeambey	D7/557
4,398,857	A *	8/1983	Layman, Sr.	414/9
D275,925	S *	10/1984	Bowen et al.	D7/360
4,718,555	A *	1/1988	Amberg	206/519
5,037,261	A *	8/1991	Morewood	414/9
5,282,711	A *	2/1994	Frische	414/9
D393,775	S *	4/1998	Otero	D7/553.6

(Continued)

Primary Examiner — Susan Bennett Hattan

Assistant Examiner — Brett Miller

(74) *Attorney, Agent, or Firm* — Burgess Law Office, PLLC

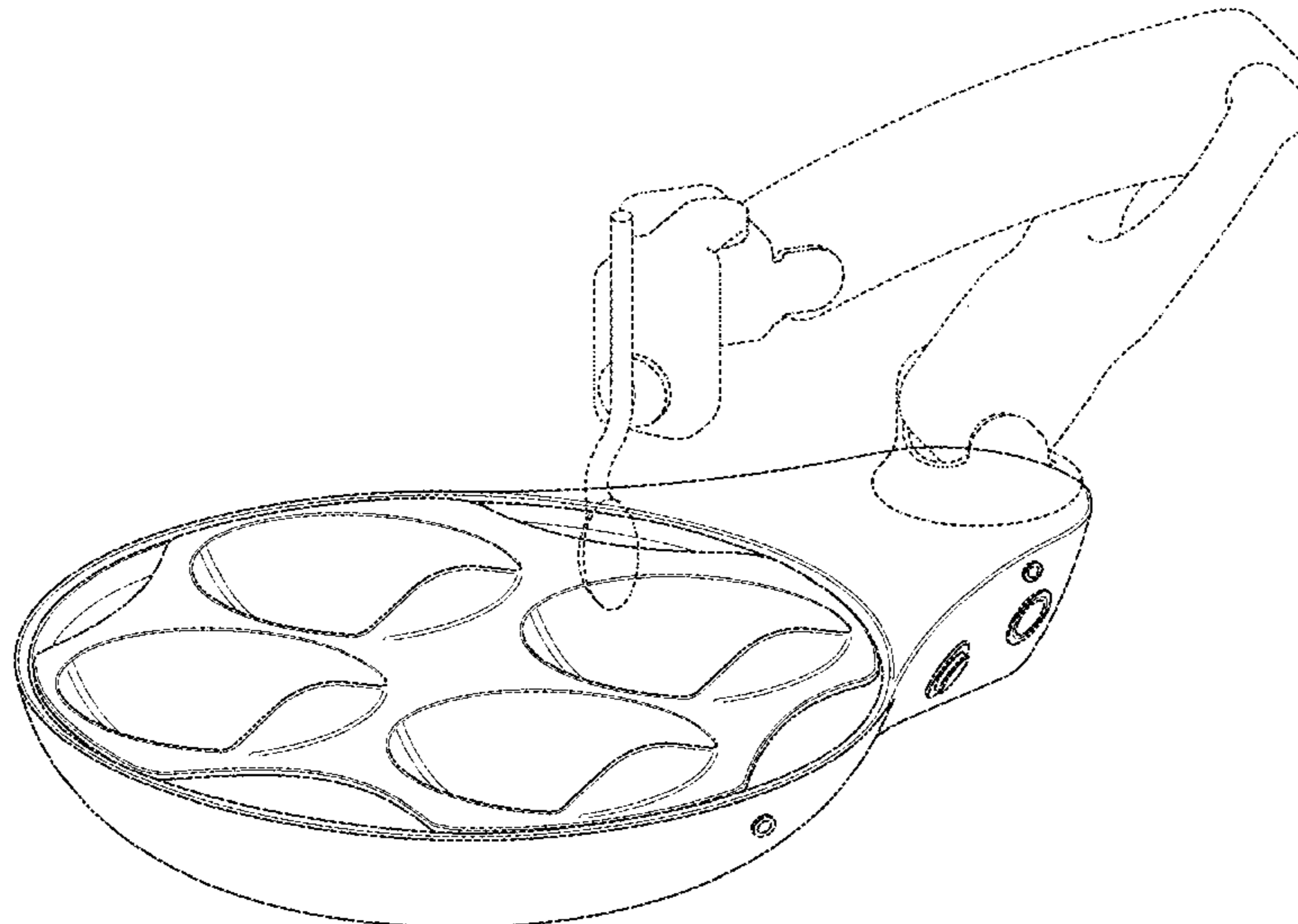
(57) **CLAIM**

The ornamental design for a base for a self-feeding device for an individual, as shown and described.

DESCRIPTION

FIG. 1 is a perspective view view of my design for a base for a self-feeding device for an individual;
FIG. 2 is a front view of the design for a base for a self-feeding device for an individual shown in FIG. 1;
FIG. 3 is a rear view of the design for a base for a self-feeding device for an individual shown in FIG. 1;
FIG. 4 is a right side view of the design for a base for a self-feeding device for an individual shown in FIG. 1;
FIG. 5 is a left side of the design for a base for a self-feeding device for an individual shown in FIG. 1;
FIG. 6 is a bottom view of the design for a base for a self-feeding device for an individual shown in FIG. 1; and,
FIG. 7 is a top view of the design for a base for a self-feeding device for an individual shown in FIG. 1.
The broken lines depict unclaimed portions of the article and form no part of the claimed design.

1 Claim, 7 Drawing Sheets



(56)

References Cited

U.S. PATENT DOCUMENTS

D399,704 S * 10/1998 Cousins D7/553.4
7,841,819 B1 * 11/2010 Berres 414/9
8,442,669 B2 * 5/2013 Dekar 414/9
8,545,420 B2 * 10/2013 Einav et al. 601/5

D696,325 S * 12/2013 Dekar D15/199
2002/0064438 A1 * 5/2002 Osborne, Jr. 414/9
2007/0289973 A1 * 12/2007 Acosta et al. 220/507
2008/0230546 A1 * 9/2008 Cocchiarella 220/574
2009/0104004 A1 * 4/2009 Guglielmelli et al. 414/9
2013/0268111 A1 * 10/2013 Dekar 414/9
2015/0003940 A1 * 1/2015 Dekar 414/9

* cited by examiner

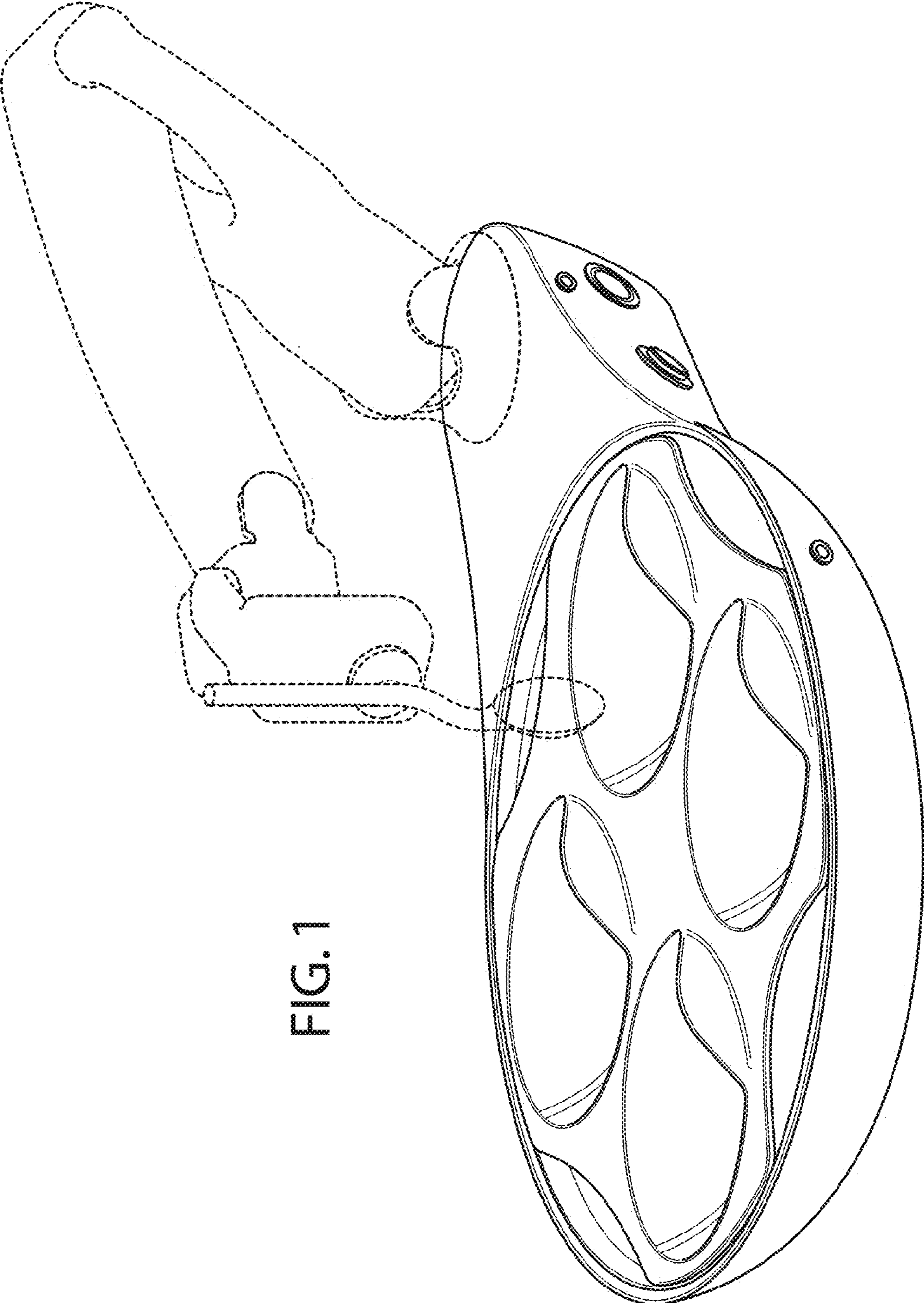


FIG. 1

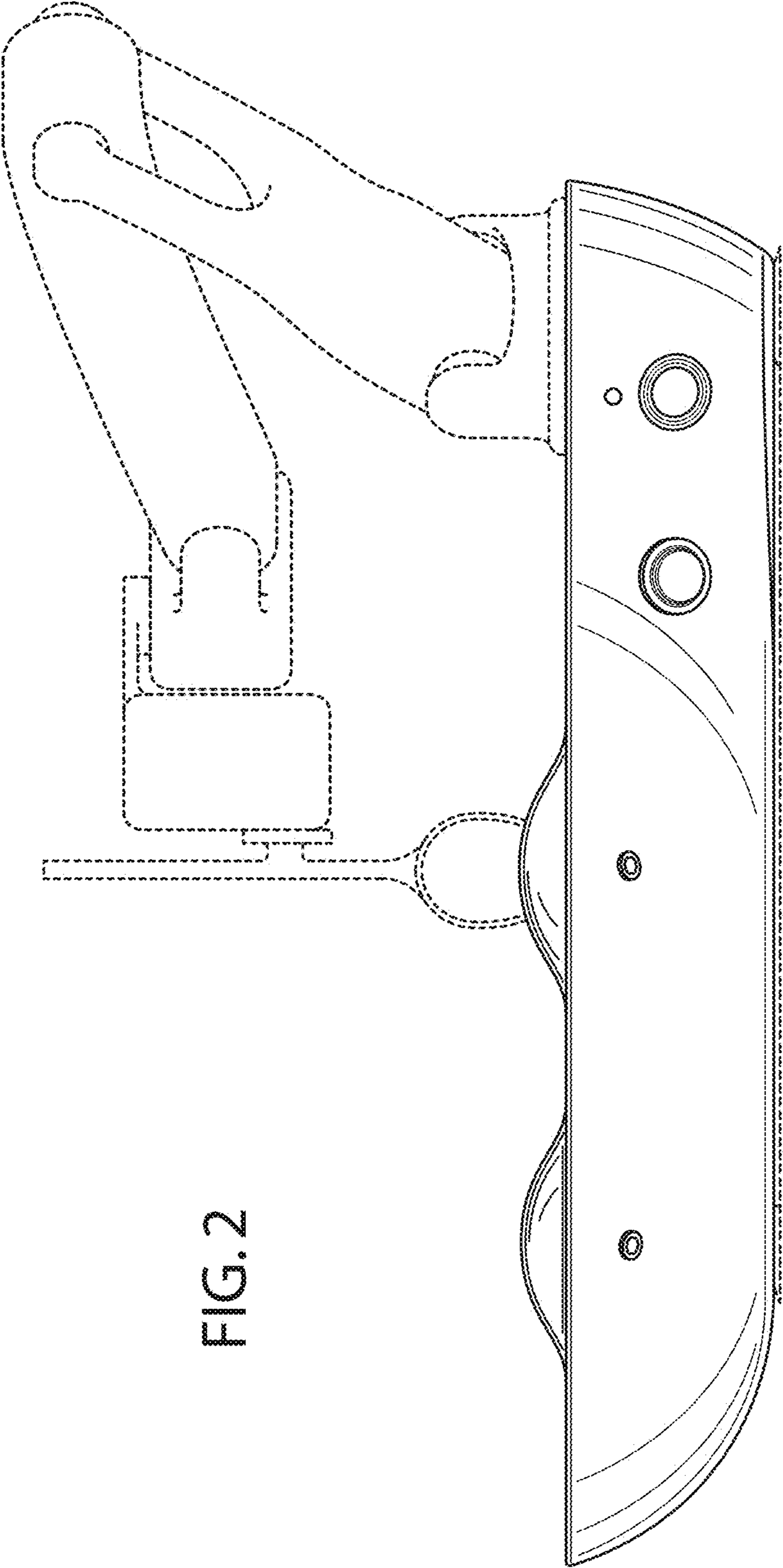
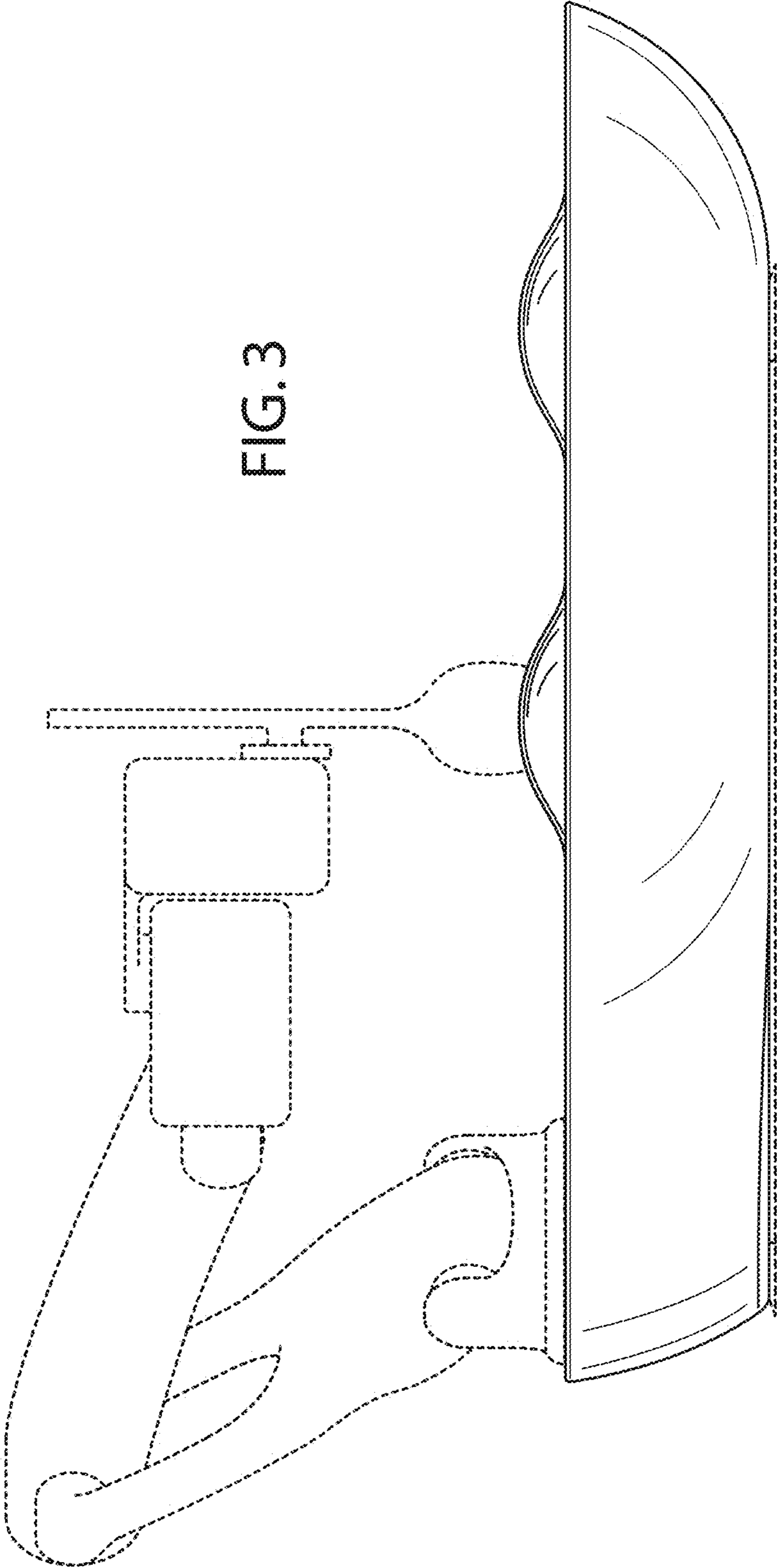


FIG. 2



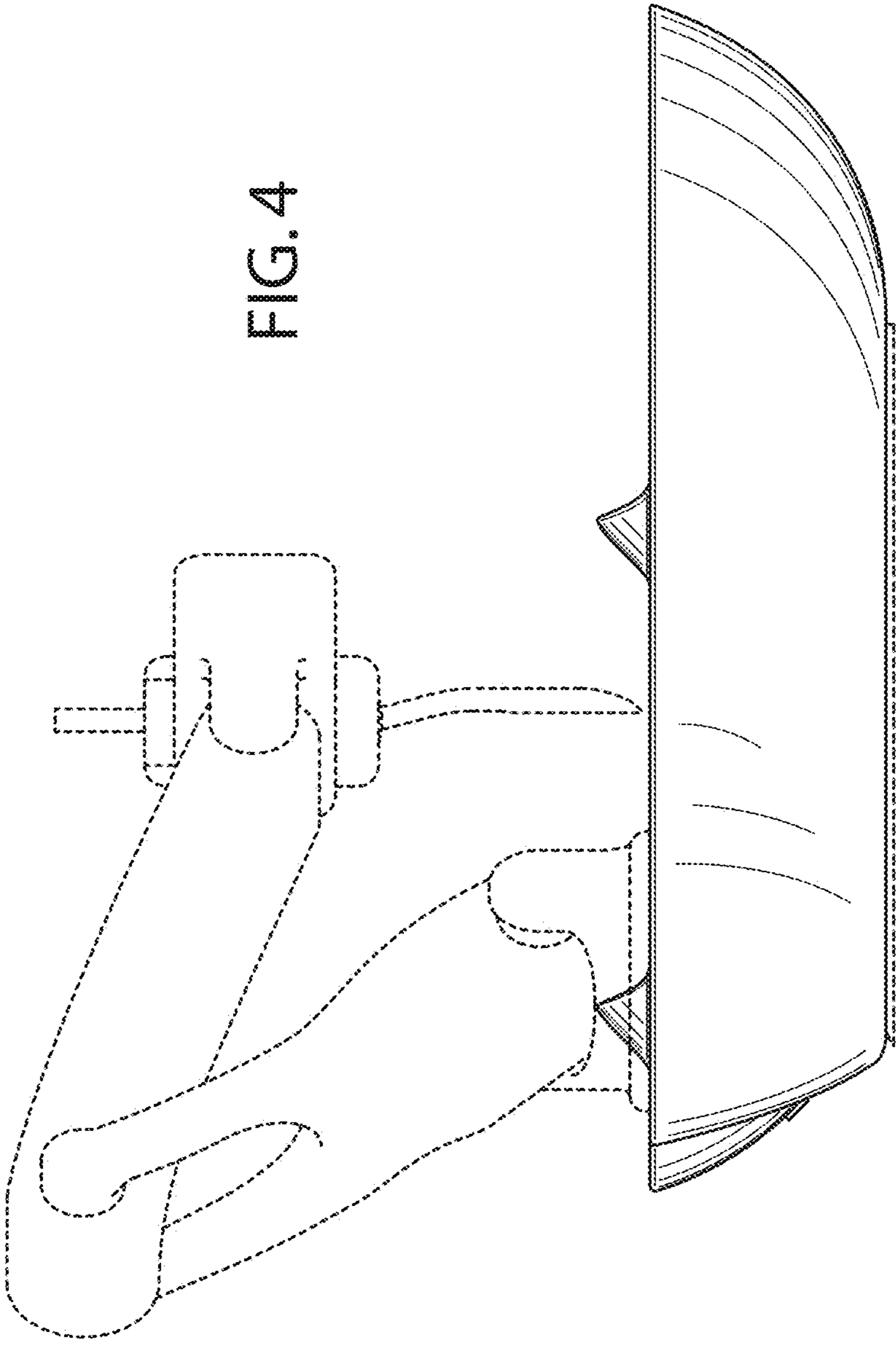


FIG. 4

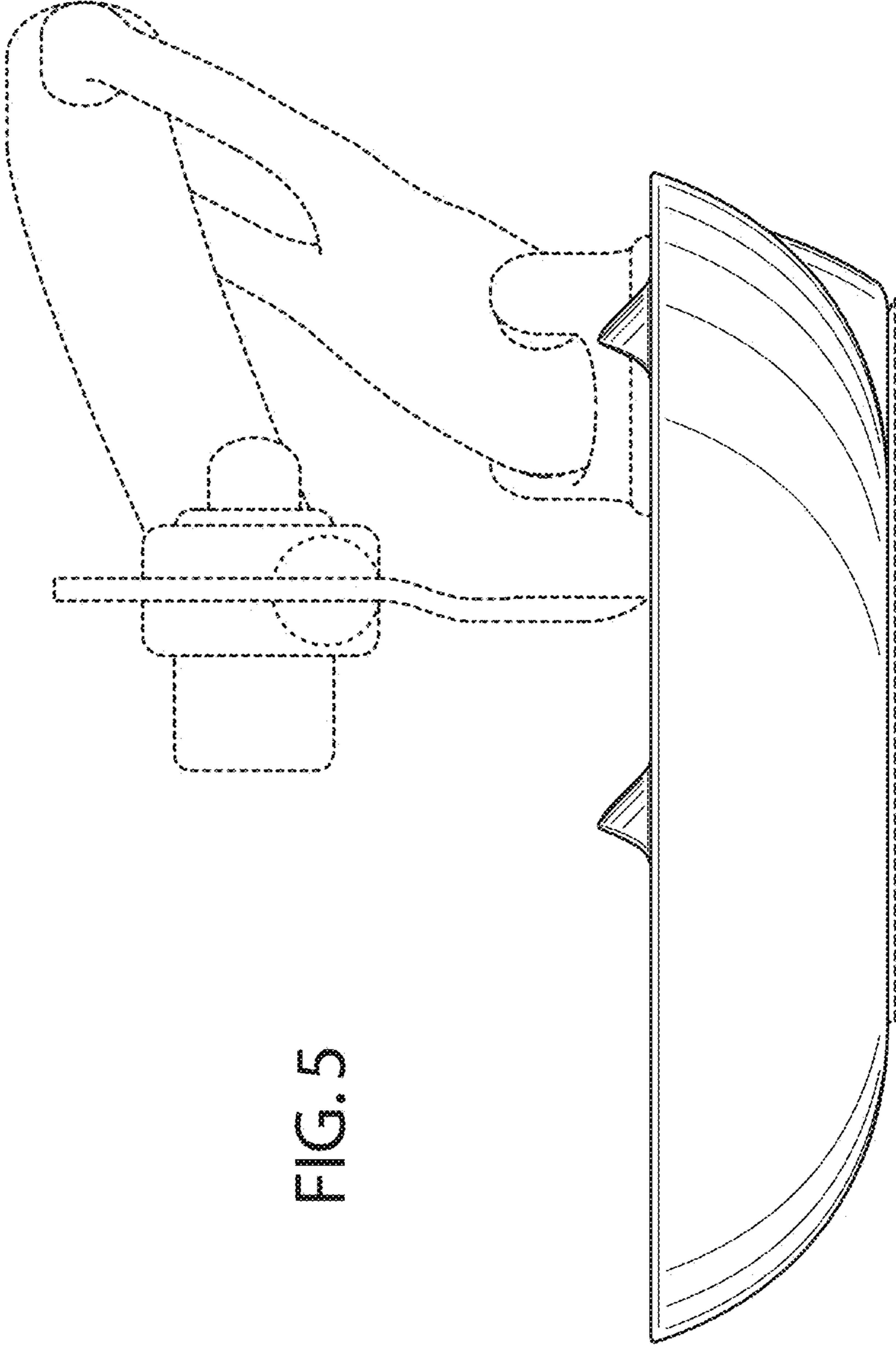


FIG. 5

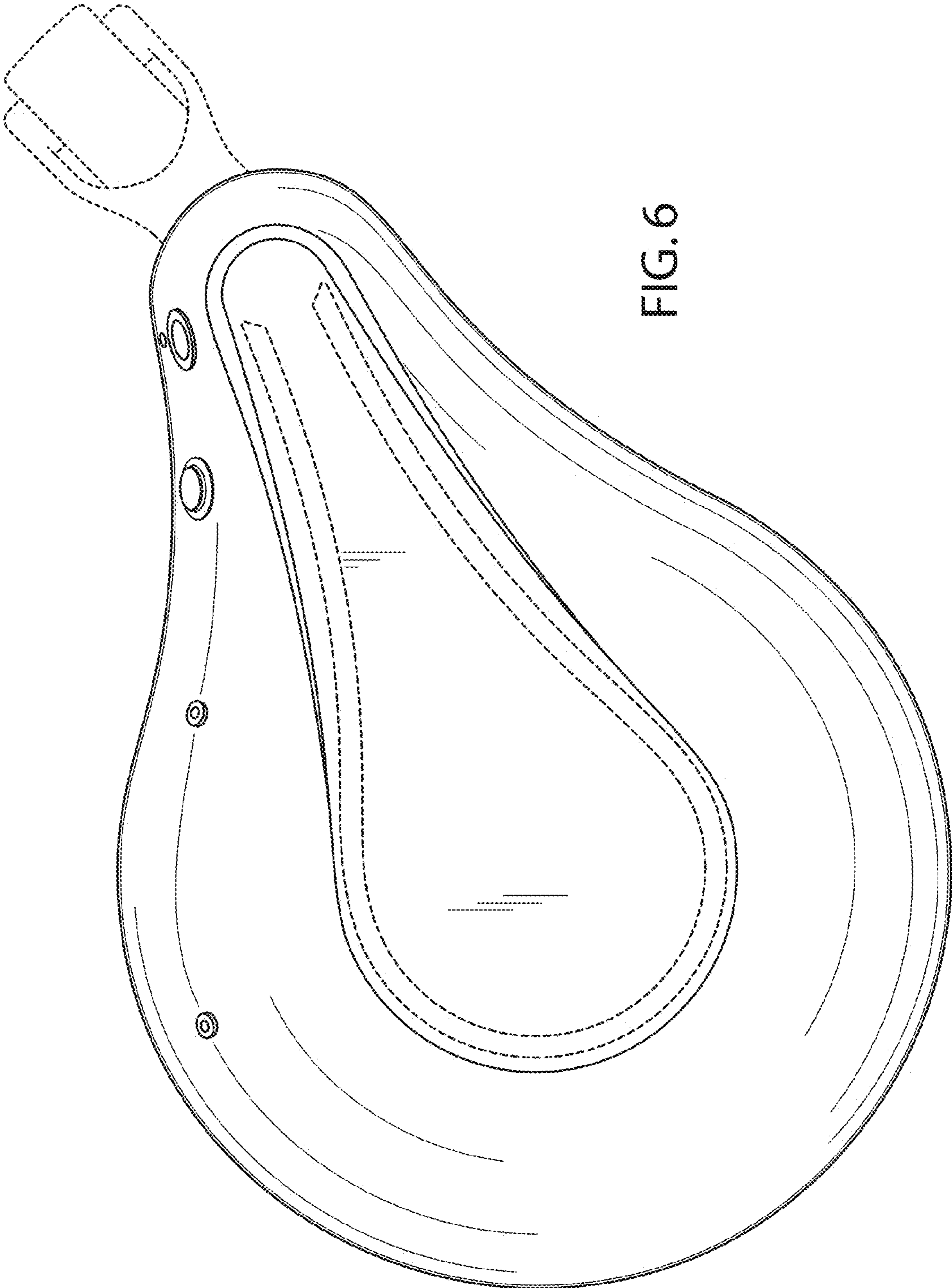


FIG. 6

FIG. 7

