



US00D740073S

(12) **United States Design Patent**
Zorovich et al.

(10) **Patent No.:** **US D740,073 S**

(45) **Date of Patent:** **** Oct. 6, 2015**

- (54) **ICED BEVERAGE MAKER**
- (71) Applicant: **PROPELLER, INC.**, Hoboken, NJ (US)
- (72) Inventors: **Kenneth D. Zorovich**, Hoboken, NJ (US); **John C. Earle**, Annapolis, MD (US); **Yos Kumthampinij**, Edgewater, NJ (US); **William Nickley**, Jersey City, NJ (US)
- (73) Assignee: **PROPELLER, INC.**, Hoboken, NJ (US)
- (**) Term: **14 Years**
- (21) Appl. No.: **29/486,088**
- (22) Filed: **Mar. 26, 2014**
- (51) **LOC (10) Cl.** **07-01**
- (52) **U.S. Cl.**
USPC **D7/531**; D7/523; D7/507
- (58) **Field of Classification Search**
USPC D7/300.1, 510, 511, 524, 537, 509, 531, D7/507; 215/388; 220/703, 705, 713, 711
CPC A47G 19/22; A47G 19/2222
See application file for complete search history.

(56) **References Cited**
U.S. PATENT DOCUMENTS

1,505,592 A	8/1924	Epperson
1,698,332 A	1/1929	Henning et al.
1,987,945 A	1/1935	Schnaier
2,288,044 A	6/1942	Stemme
2,561,001 A	7/1951	Ward
D188,992 S	10/1960	Morrison
2,980,039 A	4/1961	Jolly
3,161,031 A	12/1964	Flannery
3,411,463 A	11/1968	Moseres
3,535,889 A	10/1970	Curti
3,770,460 A	11/1973	Vroman
D248,357 S	7/1978	Daenen
4,392,803 A	7/1983	Cross et al.

4,494,668 A *	1/1985	Lottick	220/709
4,638,645 A	1/1987	Simila		
D305,193 S	12/1989	Sajadieh		
5,177,981 A	1/1993	Haas		
D338,302 S *	8/1993	Shafer	D34/1
5,354,191 A	10/1994	Bobis		
D380,647 S *	7/1997	Durand	D7/531
5,939,983 A	8/1999	Rudell et al.		
D421,877 S *	3/2000	La Torre et al.	D7/510
6,190,226 B1	2/2001	Conconi		
RE37,213 E	6/2001	Staggs		
D454,757 S	3/2002	Lack		

(Continued)

FOREIGN PATENT DOCUMENTS

EP	1391173 A2	2/2004
GB	402325	11/1933

(Continued)

Primary Examiner — Marianne Pandozzi

(74) *Attorney, Agent, or Firm* — Greenberg Traurig, LLP

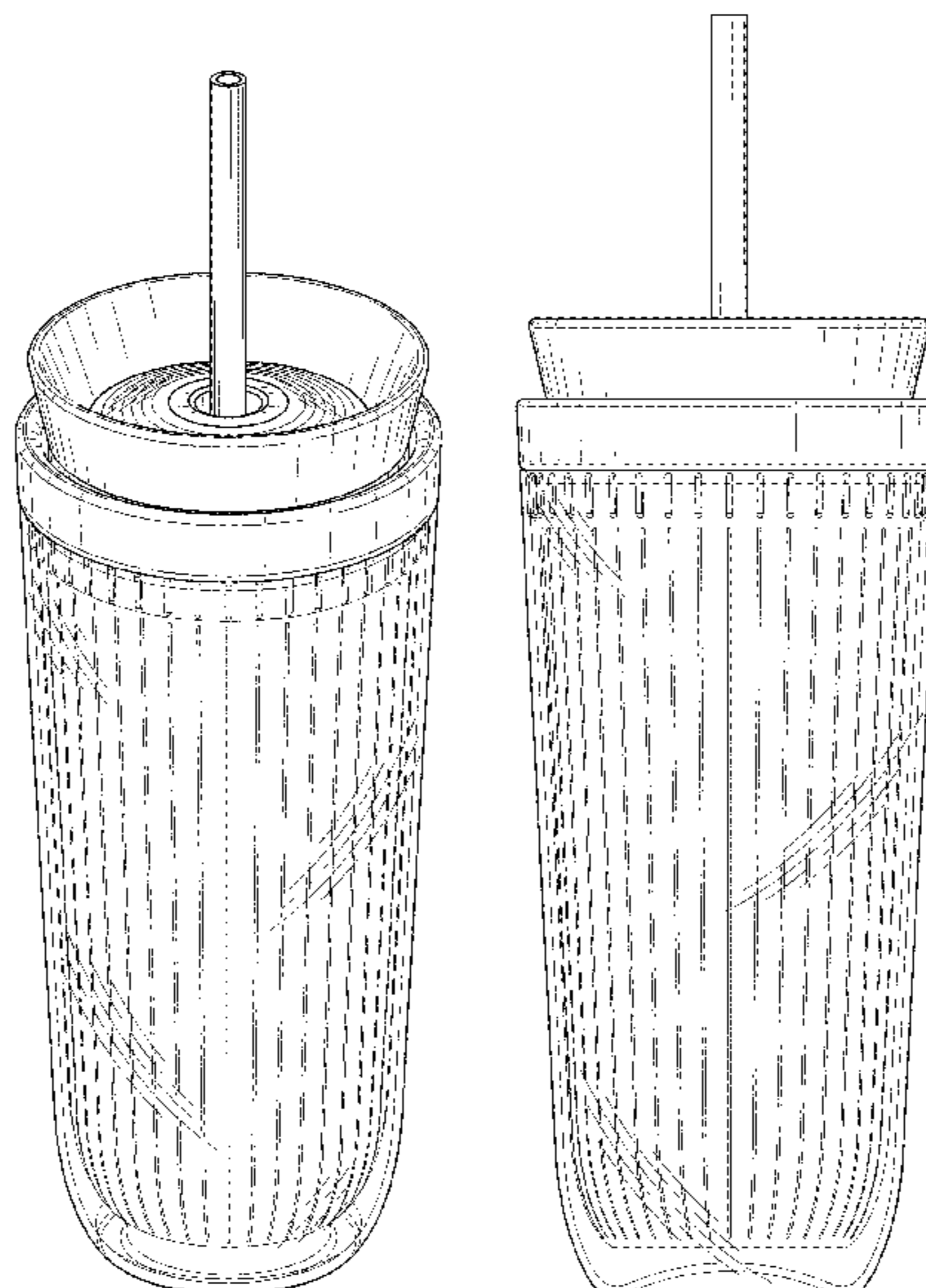
(57) **CLAIM**

An ornamental design for an iced beverage maker, as shown and described.

DESCRIPTION

FIG. 1 is a perspective view of an iced beverage maker showing our new design;
 FIG. 2 is a front elevational view thereof, all sides being the same;
 FIG. 3 is a top plan view thereof;
 FIG. 4 is a bottom plan view thereof;
 FIG. 5 is an exploded perspective view thereof;
 FIG. 6 is a front elevational view of FIG. 5;
 FIG. 7 is a top plan view of FIG. 5;
 FIG. 8 is a bottom plan view of FIG. 5; and,
 FIG. 9 is a perspective view of an iced beverage maker showing a second embodiment of our new design.

1 Claim, 7 Drawing Sheets



(56)

References Cited

U.S. PATENT DOCUMENTS

6,370,904 B2 4/2002 Tchougounov et al.
D457,034 S * 5/2002 Bodum D7/510
D457,389 S 5/2002 Snell
D457,782 S 5/2002 Snell
6,427,864 B1 * 8/2002 Asselin 220/709
6,453,682 B1 9/2002 Jennings et al.
D489,573 S * 5/2004 Li D7/530
D490,274 S * 5/2004 Irvine D7/603
D494,815 S * 8/2004 Bodum D7/510
D505,523 S 5/2005 Rahman
D506,640 S 6/2005 Marck et al.
D550,509 S 9/2007 Dretzka
D557,073 S 12/2007 Snell
D595,090 S * 6/2009 Benson D7/531
D615,359 S * 5/2010 George D7/510
D622,547 S * 8/2010 Carreno D7/510
D622,549 S * 8/2010 Carreno D7/533
D623,898 S 9/2010 Snell
D626,307 S 11/2010 Zorovich et al.
D626,384 S 11/2010 Zorovich et al.
D627,196 S * 11/2010 George D7/510
D630,407 S 1/2011 Zorovich et al.
D634,988 S 3/2011 Zorovich et al.
D637,035 S 5/2011 Zorovich et al.

D640,094 S * 6/2011 Carlson et al. D7/510
D640,120 S 6/2011 Zorovich et al.
D642,022 S 7/2011 Zorovich
D642,864 S * 8/2011 Tobias D7/510
D655,147 S 3/2012 Zorovich et al.
D655,983 S * 3/2012 Cozzolino et al. D7/510
D658,456 S 5/2012 Zorovich et al.
D658,948 S 5/2012 Zorovich et al.
D671,787 S * 12/2012 Lin D7/300.1
D674,241 S * 1/2013 Bickert et al. D7/510
8,430,658 B2 4/2013 Zorovich et al.
D689,746 S 9/2013 Zorovich et al.
D689,747 S 9/2013 Zorovich et al.
D690,169 S 9/2013 Zorovich et al.
D720,962 S * 1/2015 Coon et al. D7/510
D721,920 S * 2/2015 Coon et al. D7/510
D722,249 S * 2/2015 Valderrama et al. D7/396.2
D722,826 S * 2/2015 Coon et al. D7/511
D728,314 S * 5/2015 Carstensen et al. D7/510
2004/0076727 A1 4/2004 L'Hommedieu
2013/0011530 A1 1/2013 Wolf et al.

FOREIGN PATENT DOCUMENTS

JP 2003116467 4/2003
WO WO2010/083045 A1 7/2010

* cited by examiner

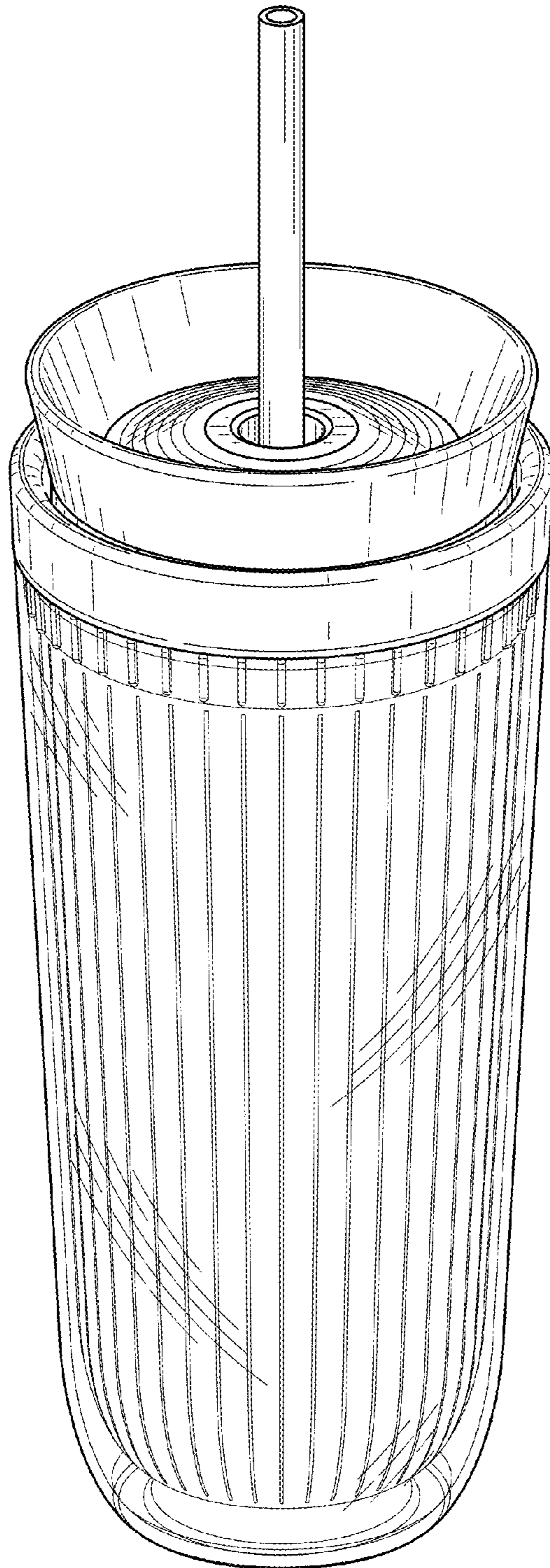


FIG. 1

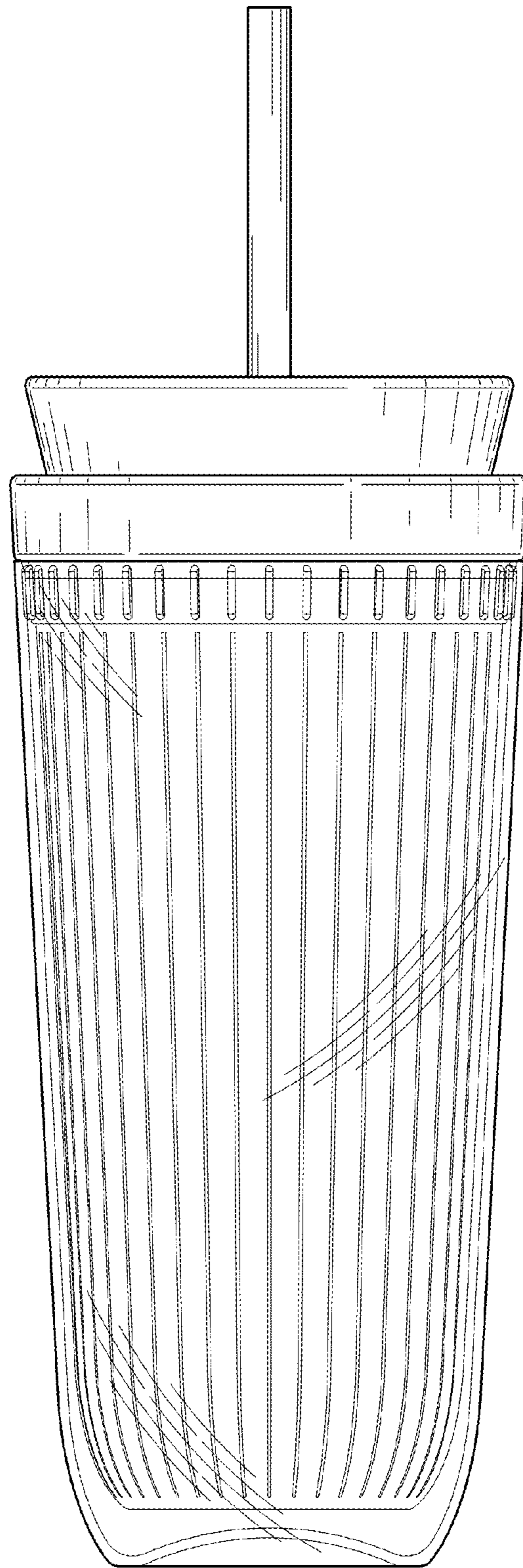


FIG. 2

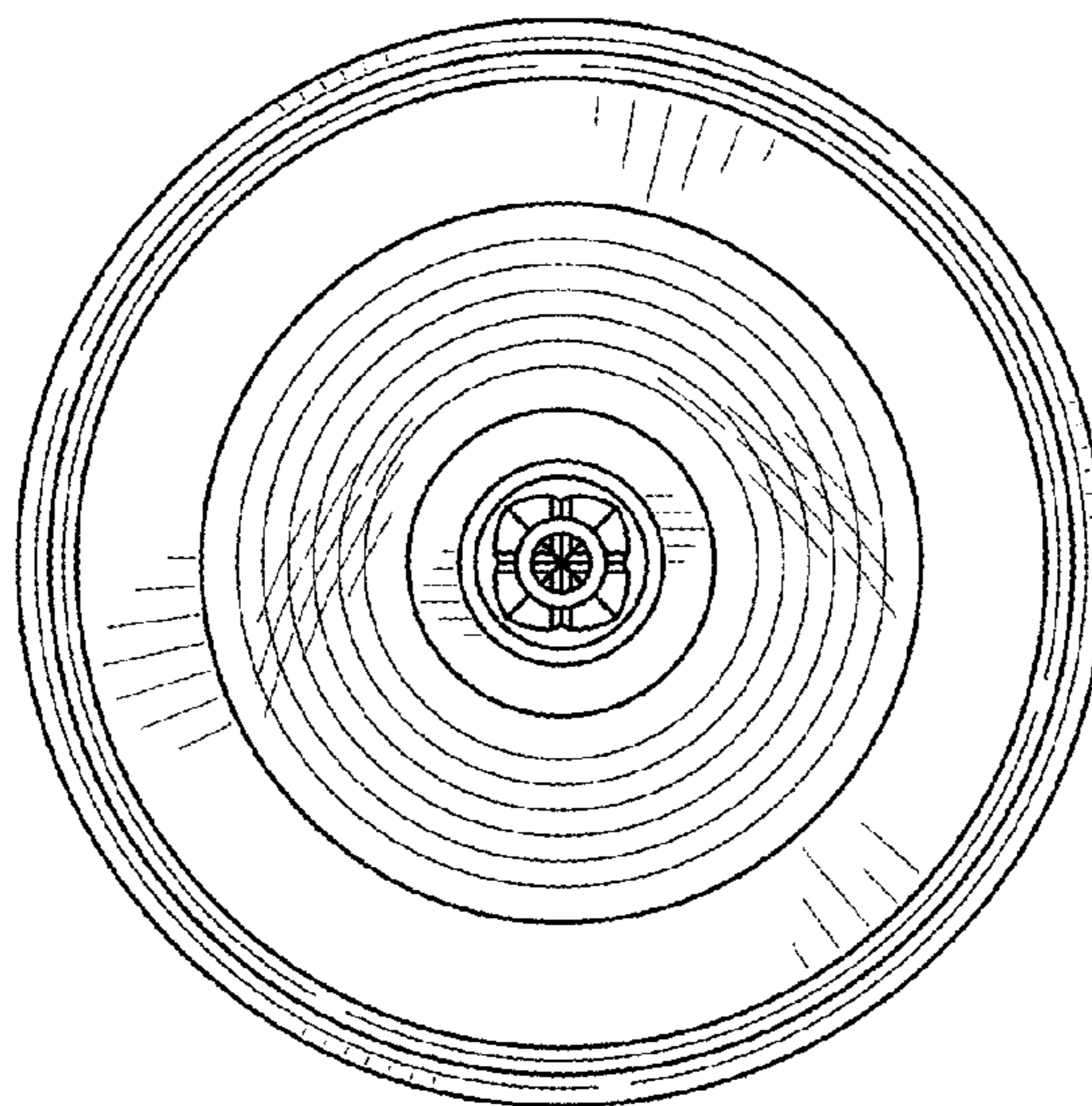


FIG. 3

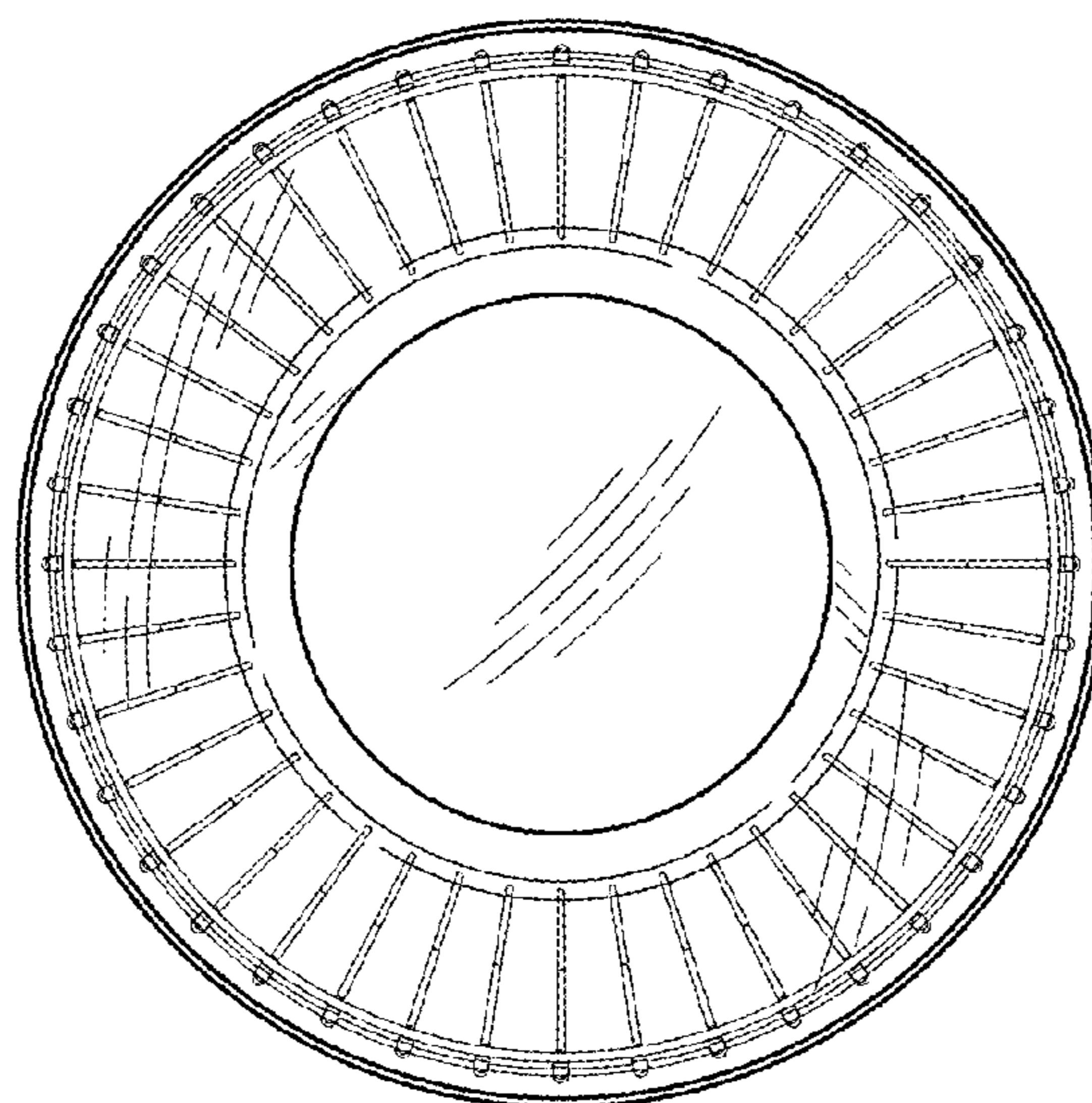


FIG. 4

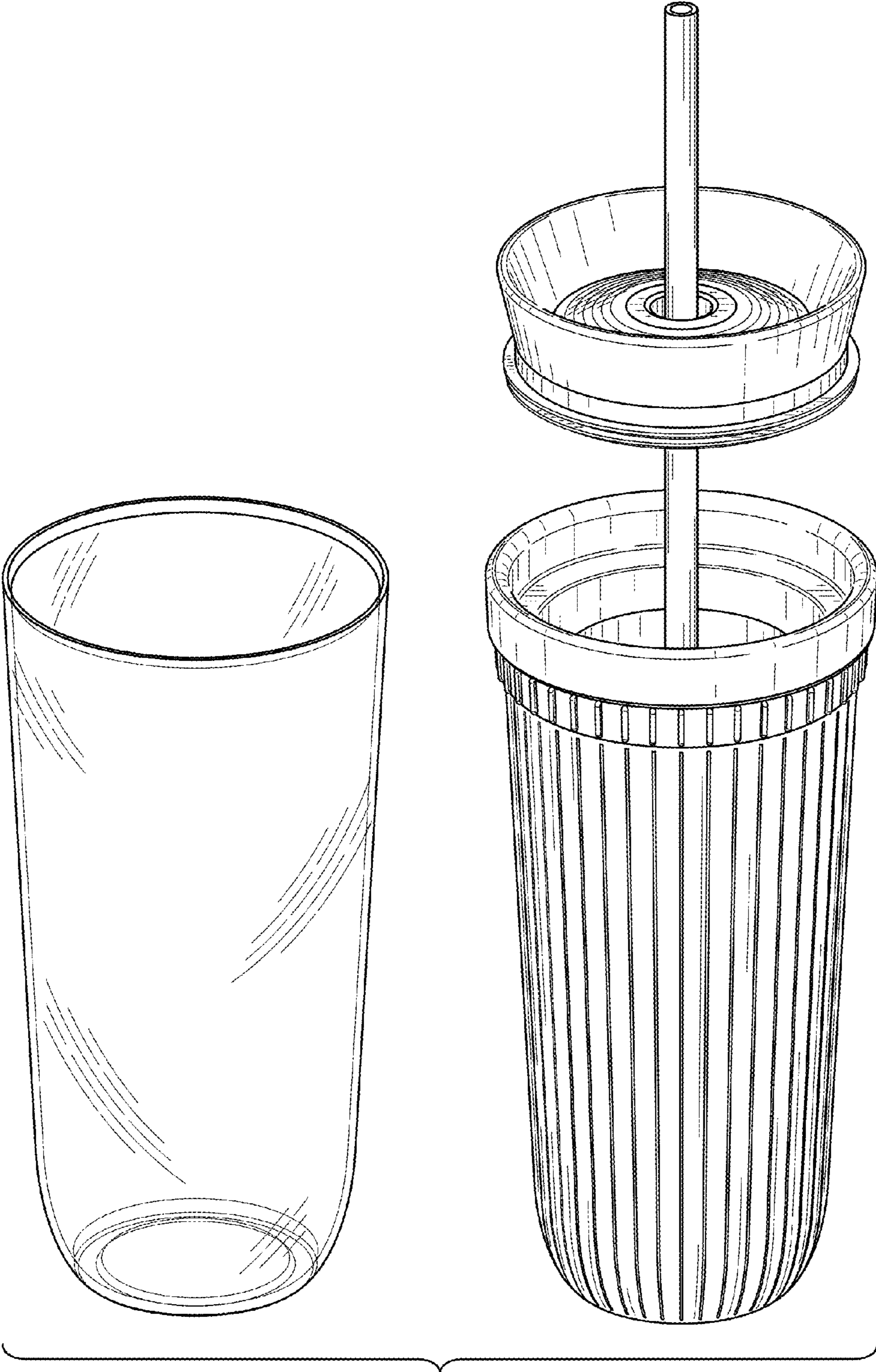


FIG. 5

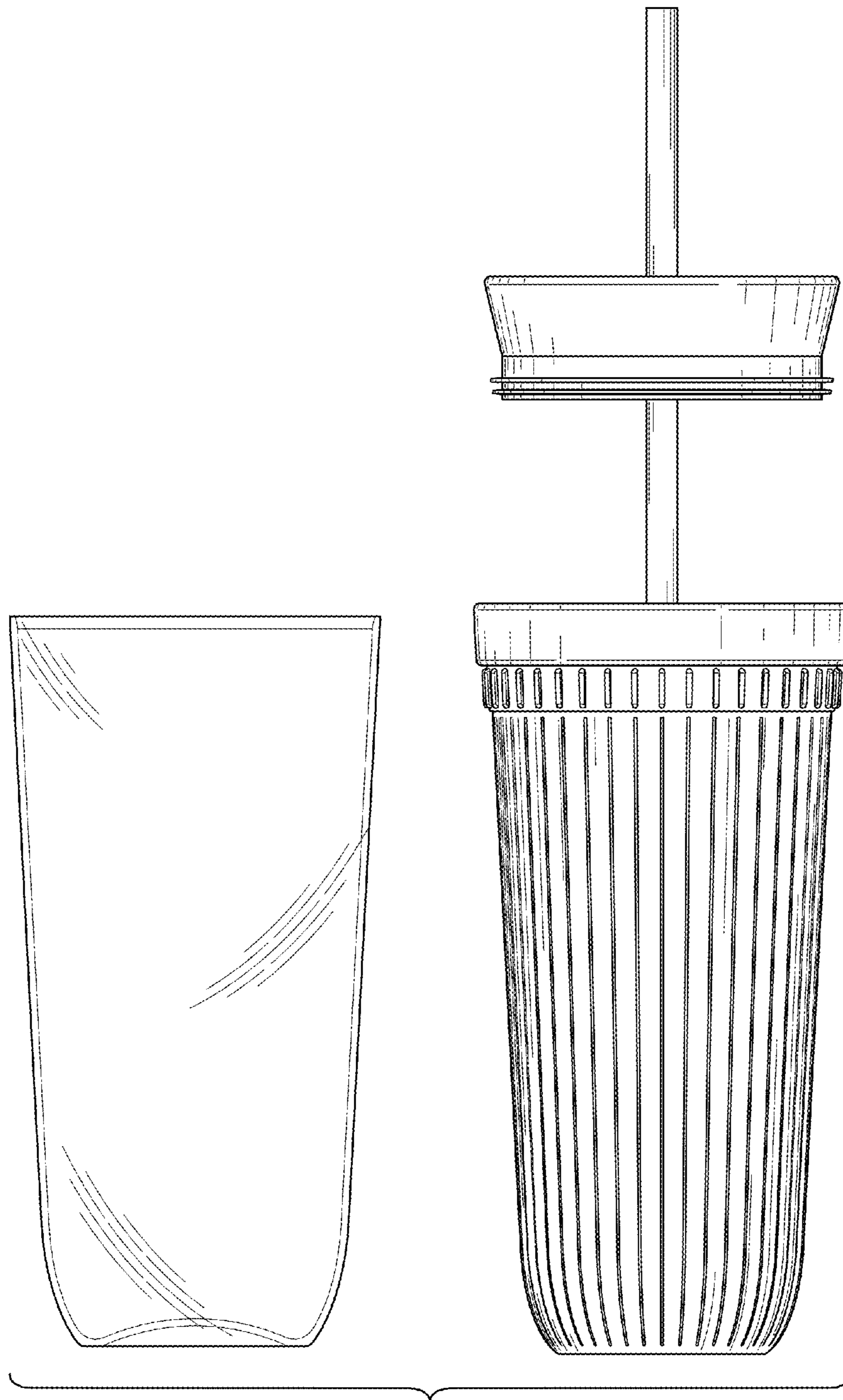


FIG. 6

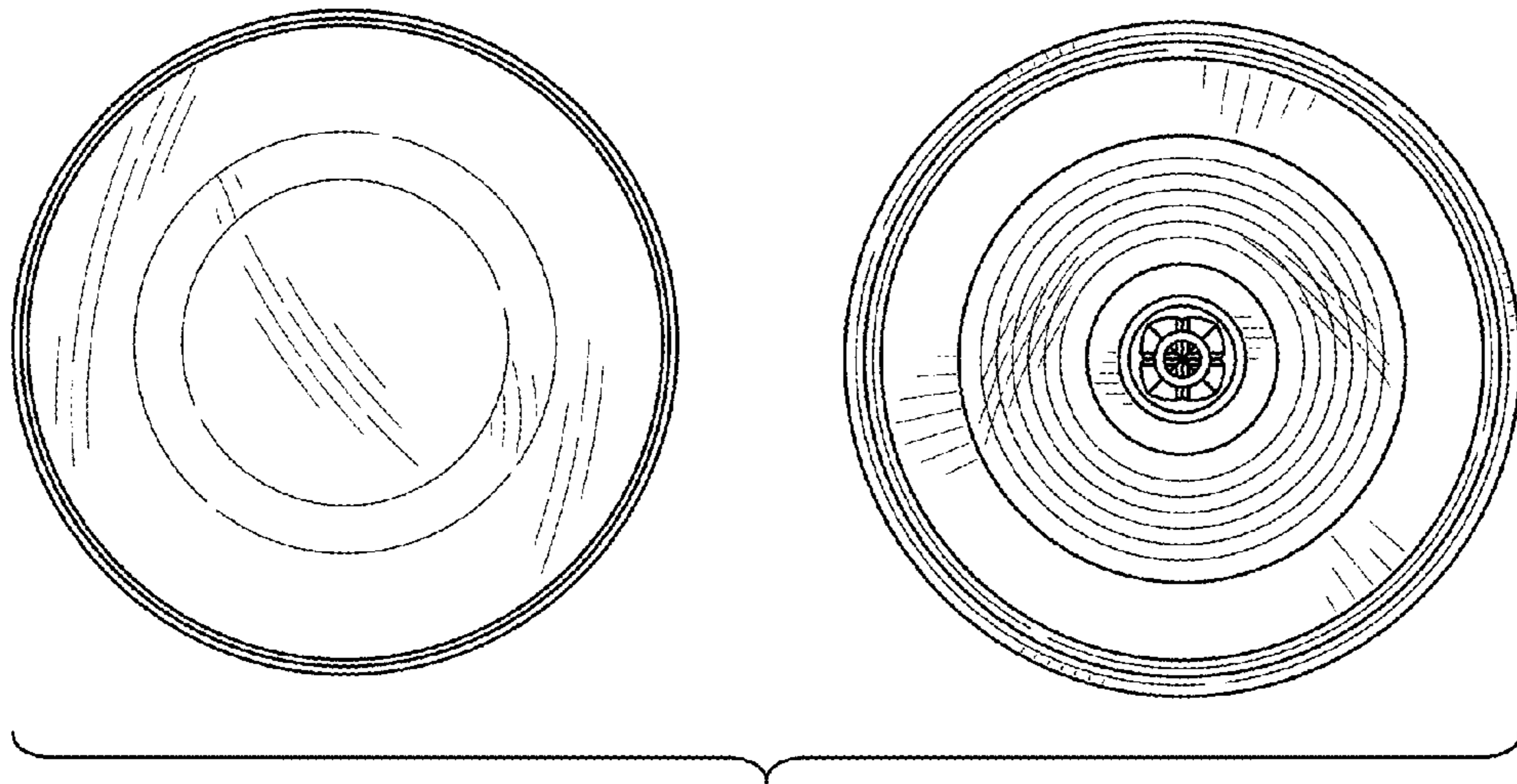


FIG. 7

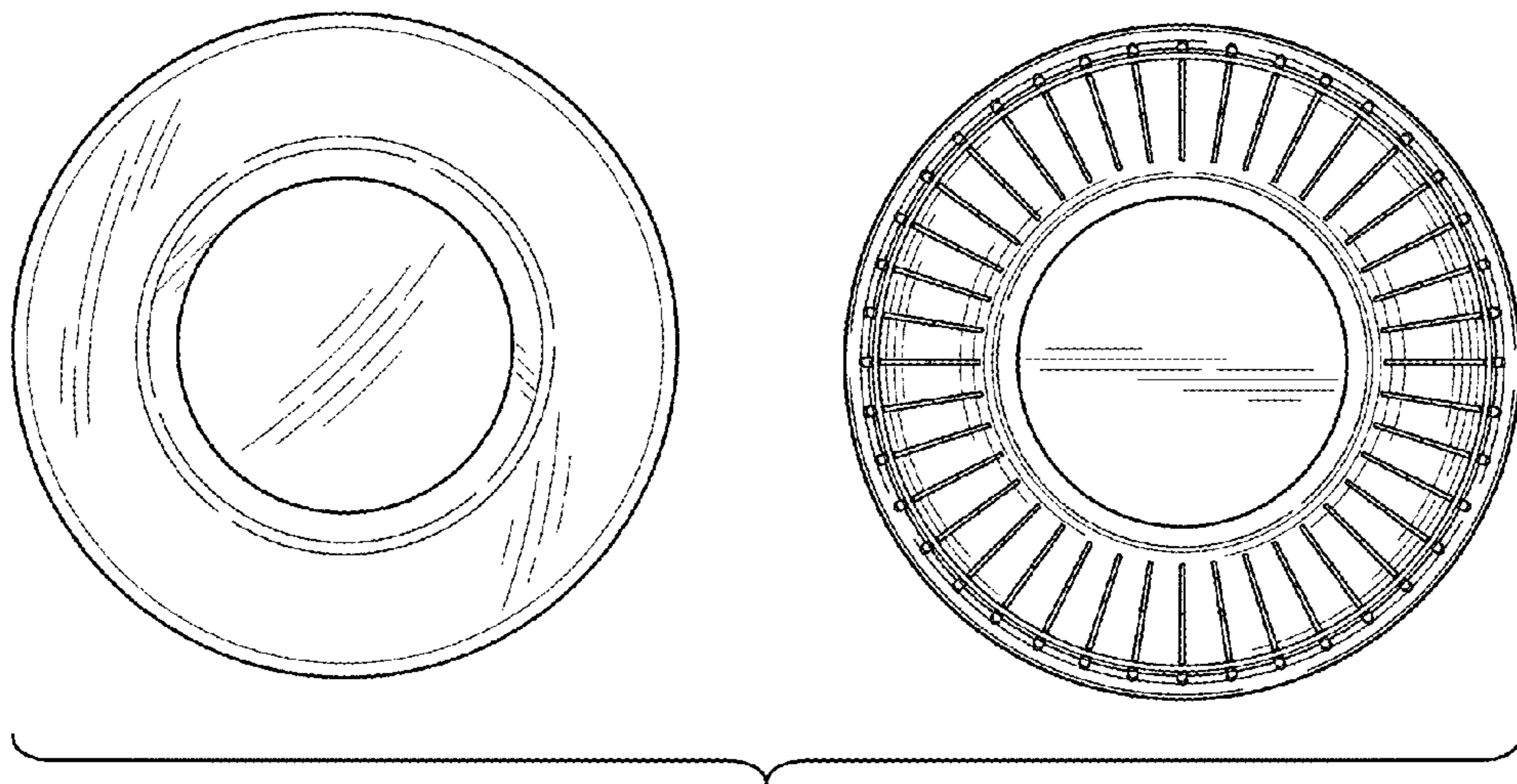


FIG. 8

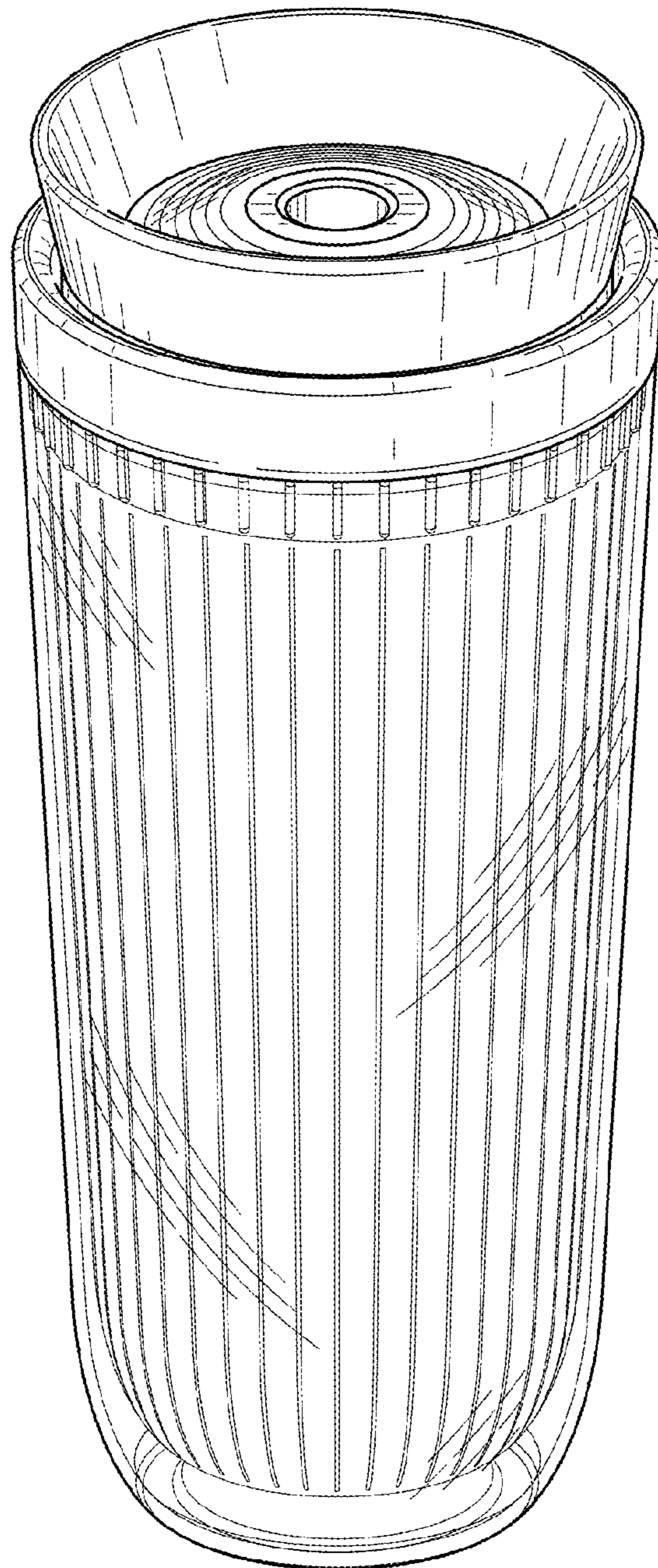


FIG. 9