



US00D740071S

(12) **United States Design Patent**  
**Dekar**

(10) **Patent No.:** **US D740,071 S**  
(45) **Date of Patent:** **\*\* Oct. 6, 2015**

- (54) **SELF-FEEDING DEVICE FOR AN INDIVIDUAL**
- (71) Applicant: **Jonathan P Dekar**, Bloomfield Hills, MI (US)
- (72) Inventor: **Jonathan P Dekar**, Bloomfield Hills, MI (US)
- (73) Assignee: **Desin, LLC**, Birmingham, MI (US)
- (\*\*) Term: **14 Years**

2,844,258	A *	7/1958	Faber .....	D7/546
D231,747	S *	6/1974	Davis .....	D7/557
3,885,681	A *	5/1975	Mancino .....	414/9
D252,066	S *	6/1979	Jeambey .....	D7/557
4,398,857	A *	8/1983	Layman, Sr. ....	414/9
D275,925	S *	10/1984	Bowen et al. ....	D7/360
4,718,555	A *	1/1988	Amberg .....	206/519
5,037,261	A *	8/1991	Morewood .....	414/9
5,282,711	A *	2/1994	Frische .....	414/9
D393,775	S *	4/1998	Otero .....	D7/553.6
D399,704	S *	10/1998	Cousins .....	D7/553.4
7,841,819	B1 *	11/2010	Berres .....	414/9
8,442,669	B2 *	5/2013	Dekar .....	414/9
8,545,420	B2 *	10/2013	Einav et al. ....	601/5

(Continued)

- (21) Appl. No.: **29/452,201**
- (22) Filed: **Apr. 12, 2013**

*Primary Examiner* — Susan Bennett Hattan  
*Assistant Examiner* — Brett Miller  
 (74) *Attorney, Agent, or Firm* — Burgess Law Office, PLLC

**Related U.S. Application Data**

- (63) Continuation-in-part of application No. 13/834,245, filed on Mar. 15, 2013, now Pat. No. 8,761,922, which is a continuation-in-part of application No. 13/529,536, filed on Jun. 21, 2012, now Pat. No. 8,442,669.

- (51) **LOC (10) Cl.** ..... **07-01**
- (52) **U.S. Cl.**  
USPC ..... **D7/505**

- (58) **Field of Classification Search**  
USPC ..... D7/543, 545–546, 549, 550.1, 551.1, D7/553.1–553.8, 555, 558, 560, 571, D7/584–588, 601–602, 610–614, 360, D7/554.1–554.4, 564–565, 354, 505, D7/396.6, 537; 220/574–575; D9/737; D30/129, 130; 414/9  
CPC ..... A47G 19/02–19/08; A47G 21/14; A47G 21/145  
See application file for complete search history.

(56) **References Cited**

**U.S. PATENT DOCUMENTS**

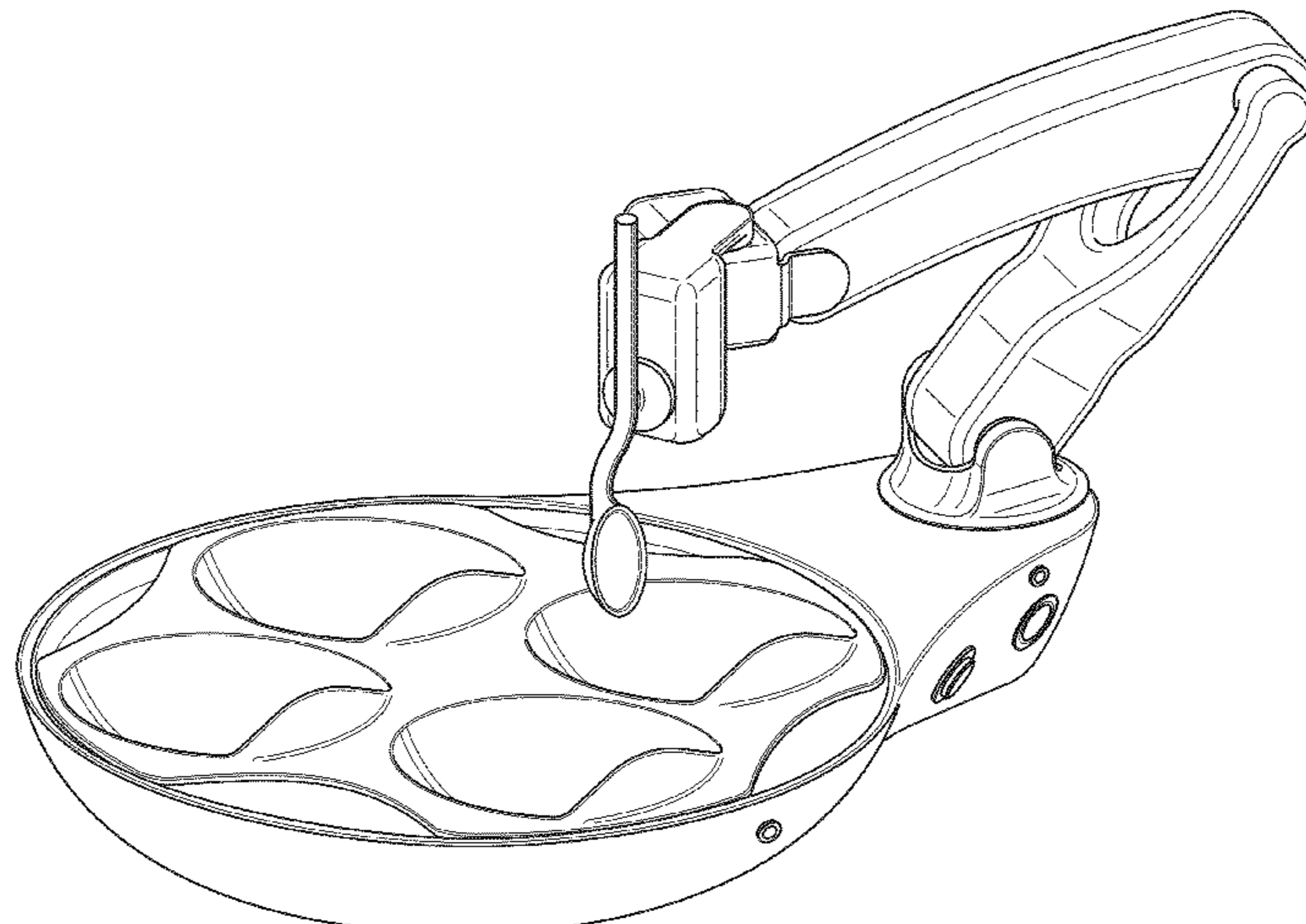
- 608,144 A \* 7/1898 Porter ..... D7/611
- 2,314,935 A \* 3/1943 Gutterman ..... 206/563

- (57) **CLAIM**  
The ornamental design for a self-feeding device for an individual, as shown and described.

**DESCRIPTION**

FIG. 1 is a perspective view view of my design for a self-feeding device for an individual;  
 FIG. 2 is a front view of the design for a self-feeding device for an individual shown in FIG. 1;  
 FIG. 3 is a rear view of the design for a self-feeding device for an individual shown in FIG. 1;  
 FIG. 4 is a right side view of the design for a self-feeding device for an individual shown in FIG. 1;  
 FIG. 5 is a left side of the design for a self-feeding device for an individual shown in FIG. 1;  
 FIG. 6 is a bottom view of the design for a self-feeding device for an individual shown in FIG. 1; and,  
 FIG. 7 is a top view of the design for a self-feeding device for an individual shown in FIG. 1.  
 The broken lines depict unclaimed portions of the article and form no part of the claimed design.

**1 Claim, 7 Drawing Sheets**



# US D740,071 S

Page 2

---

(56)

## References Cited

### U.S. PATENT DOCUMENTS

D696,325 S \* 12/2013 Dekar ..... D15/199  
2002/0064438 A1 \* 5/2002 Osborne, Jr. .... 414/9  
2007/0289973 A1 \* 12/2007 Acosta et al. .... 220/507

2008/0230546 A1 \* 9/2008 Cocchiarella ..... 220/574  
2009/0104004 A1 \* 4/2009 Guglielmelli et al. .... 414/9  
2013/0268111 A1 \* 10/2013 Dekar ..... 414/9  
2015/0003940 A1 \* 1/2015 Dekar ..... 414/9

\* cited by examiner

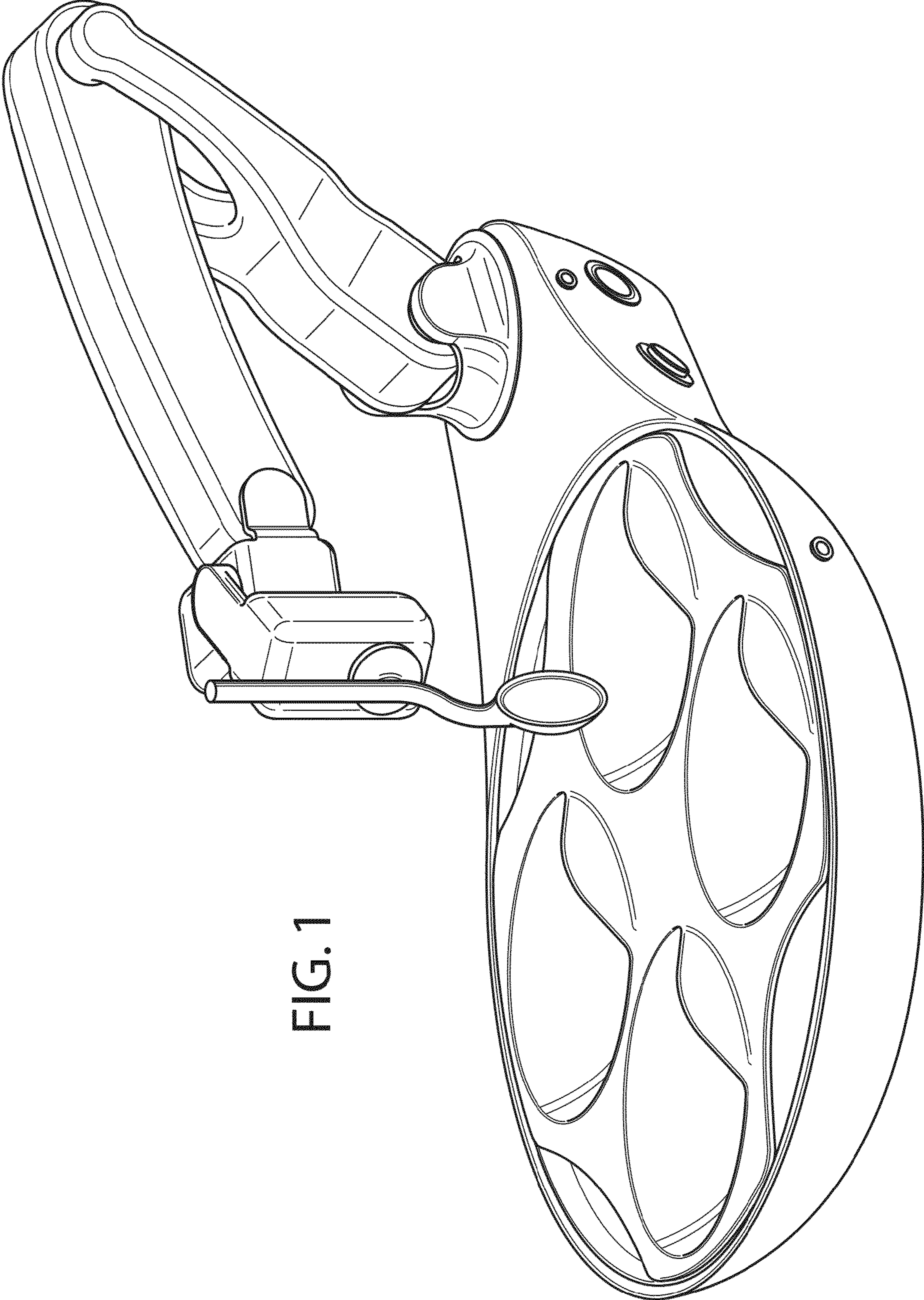


FIG. 1

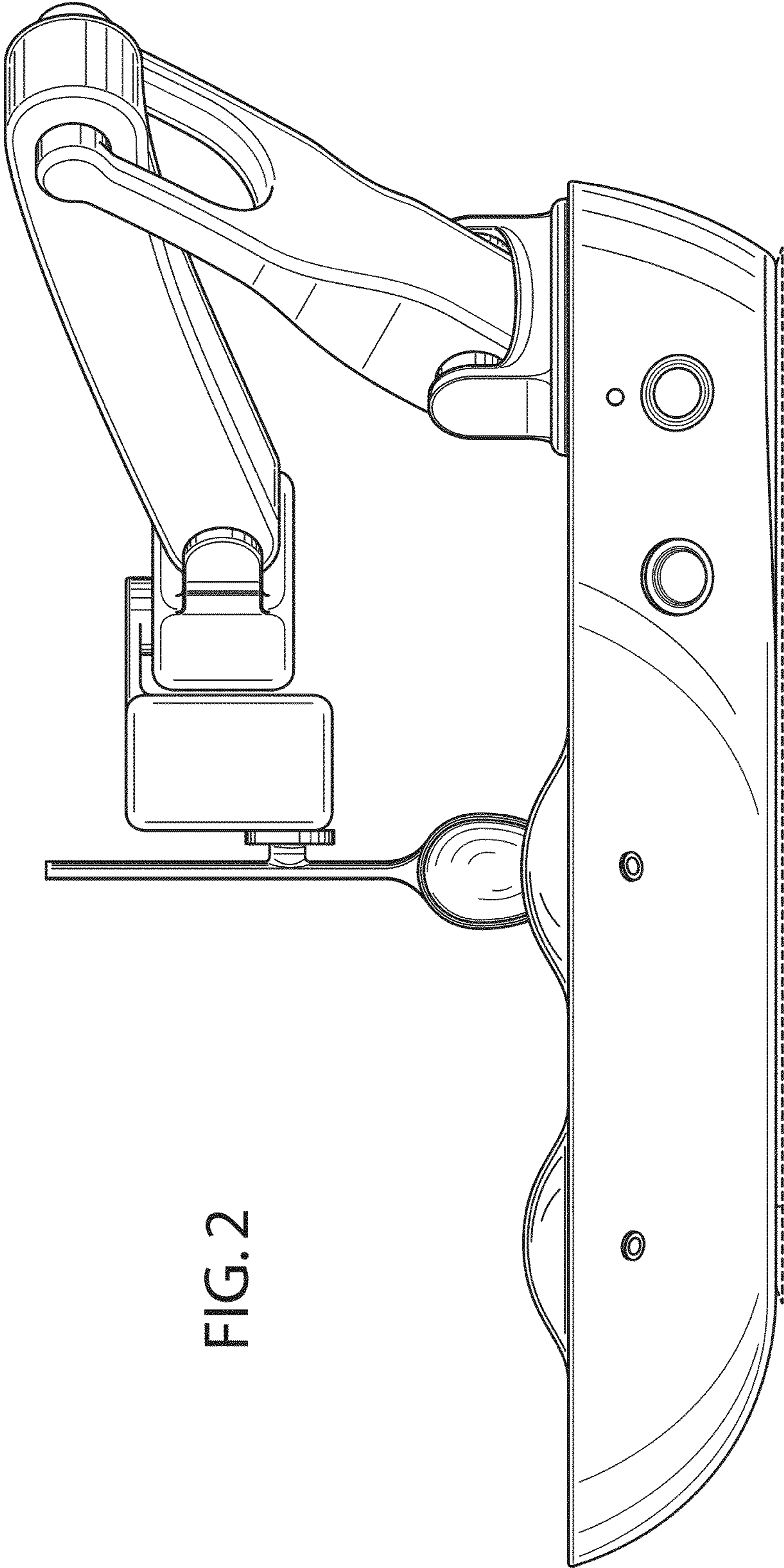


FIG. 2

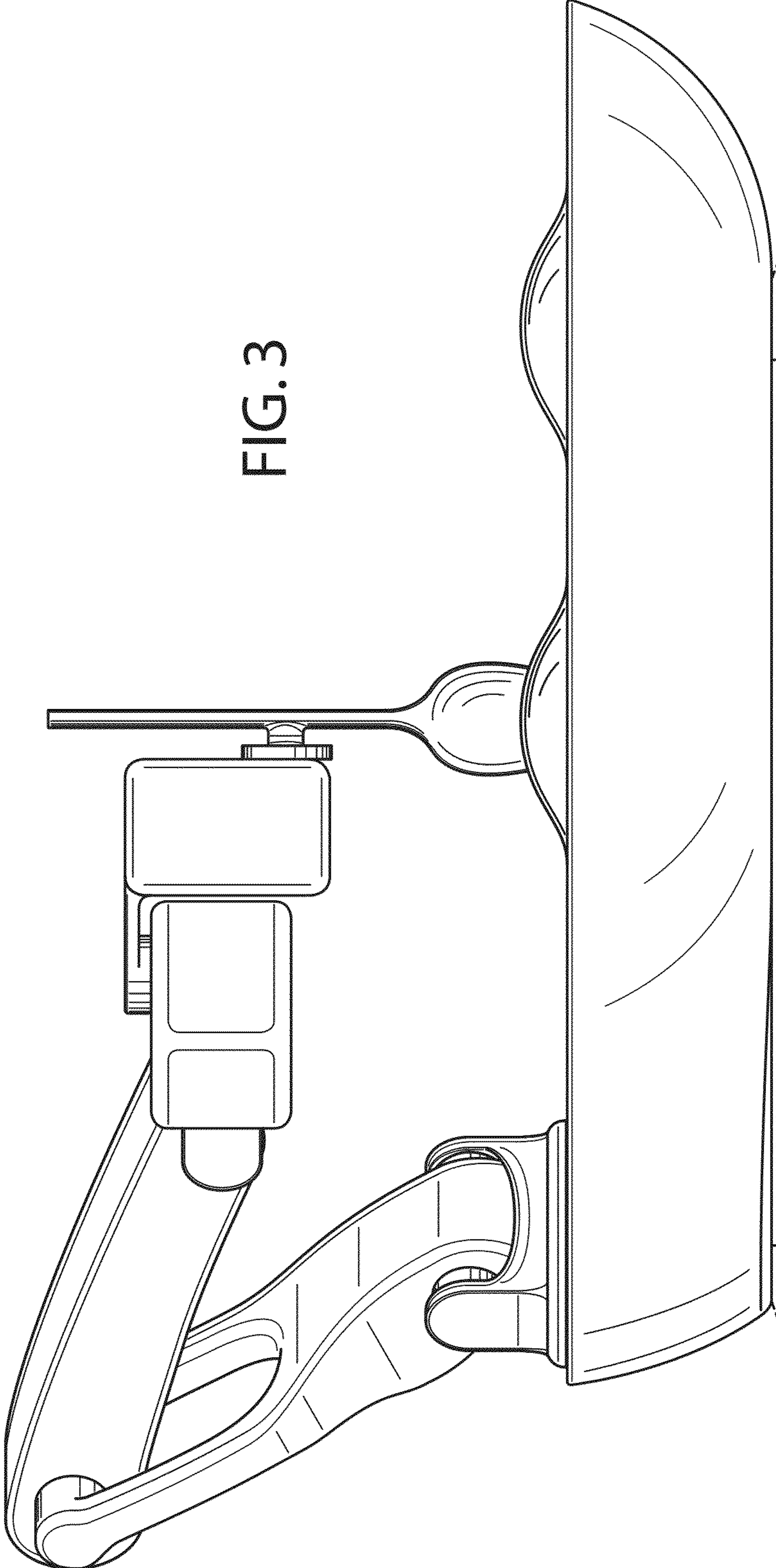
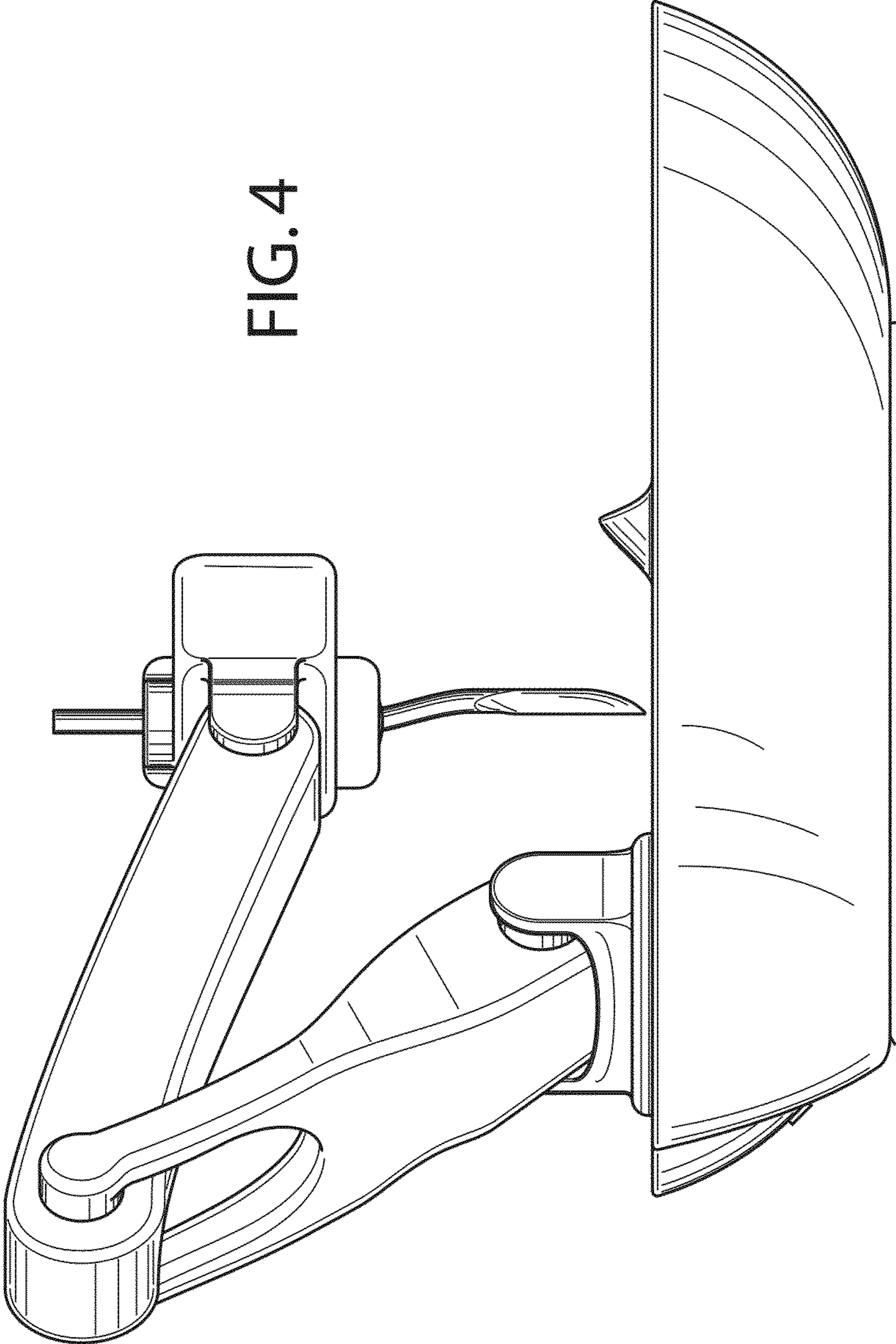


FIG. 3

FIG. 4



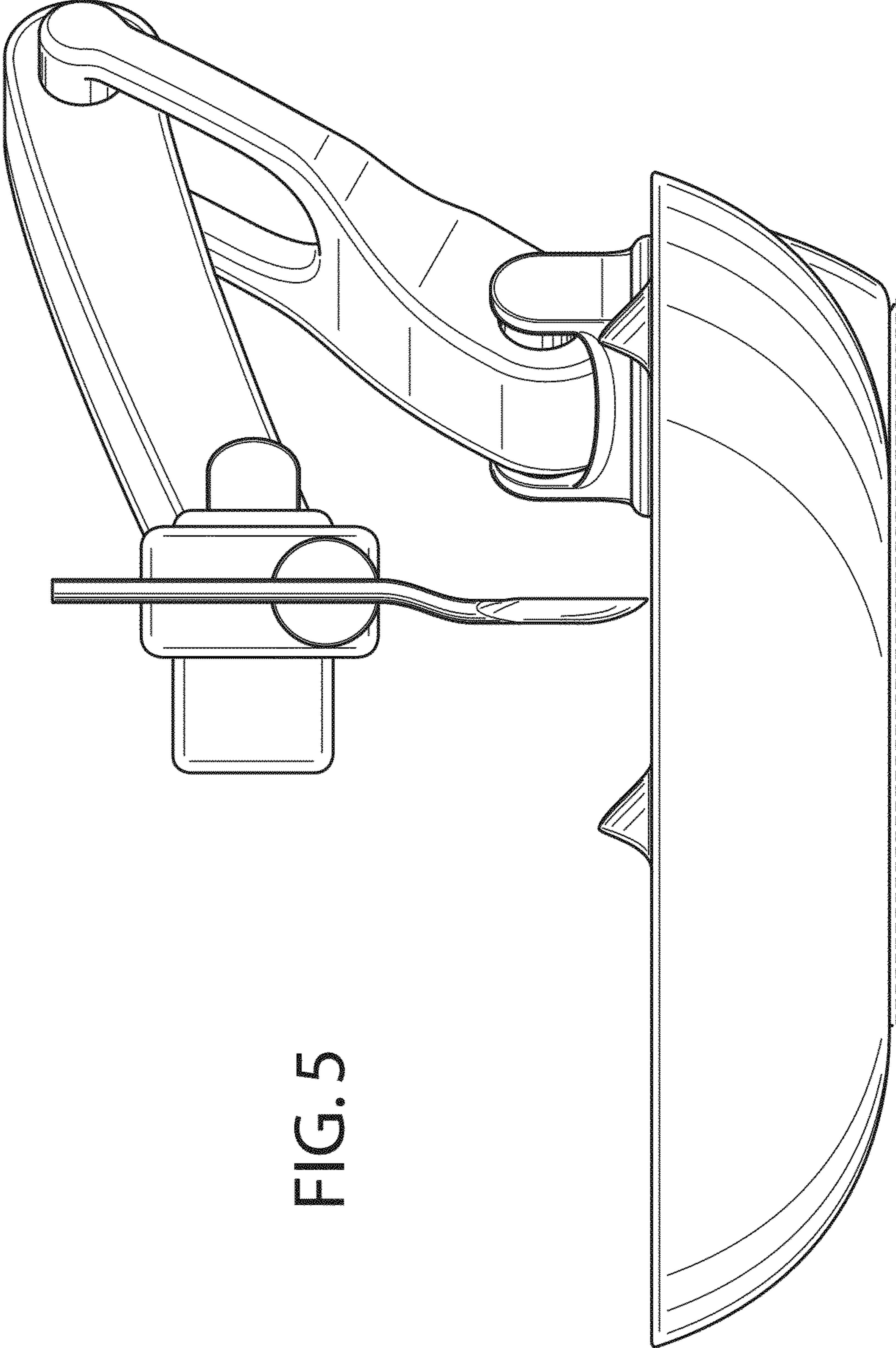


FIG. 5

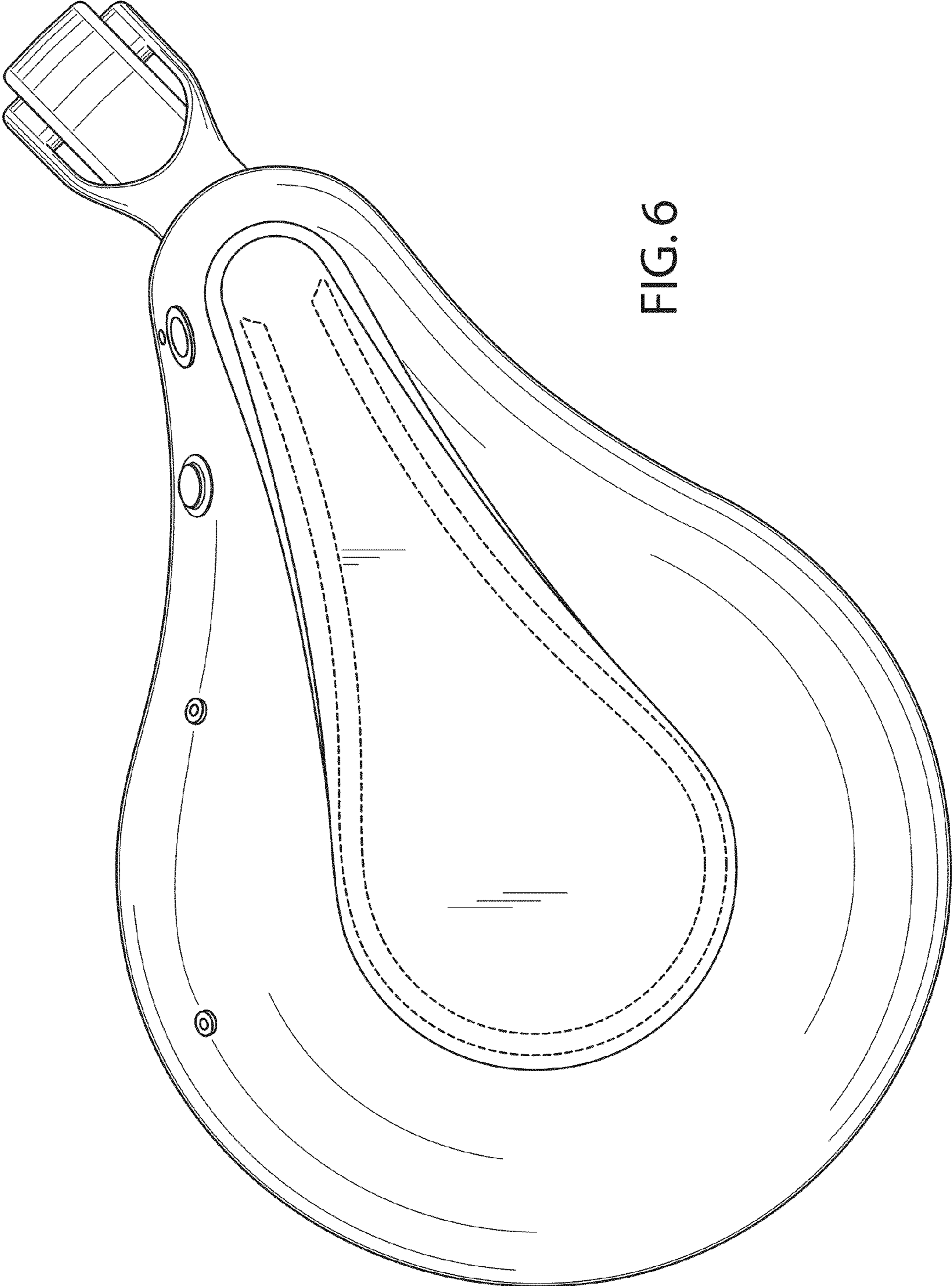


FIG.6



FIG. 7

