



US00D740070S

(12) **United States Design Patent**  
**Zwanenburg et al.**

(10) **Patent No.:** **US D740,070 S**

(45) **Date of Patent:** **\*\* Oct. 6, 2015**

(54) **PAN FOR AIRFRYER**

F24C 15/10; F24C 15/12; F24C 15/14;  
F24C 15/16; F24C 15/164; F24C 15/18

(71) Applicant: **KONINKLIJKE PHILIPS N.V.**,  
Eindhoven (NL)

See application file for complete search history.

(72) Inventors: **Godwin Dirk Zwanenburg**, Drachten  
(NL); **Janine Willemijn Medema**,  
Drachten (NL); **Marc Alexander**  
**Pastors**, Gieten (NL)

(56) **References Cited**

U.S. PATENT DOCUMENTS

(73) Assignee: **KONINKLIJKE PHILIPS N.V.**,  
Eindhoven (NL)

1,356,432	A *	10/1920	Eidt	99/418
3,078,786	A *	2/1963	Arvan	99/407
5,746,117	A *	5/1998	Chang	99/407
6,250,213	B1 *	6/2001	De'Longhi	99/407
6,499,390	B1 *	12/2002	Huang	99/331
6,834,578	B1 *	12/2004	Wu Chang	99/413
7,015,429	B2 *	3/2006	Lau et al.	219/441
7,484,455	B2 *	2/2009	De'Longhi	99/330
D588,860	S *	3/2009	Tienor et al.	D7/354
D680,800	S *	4/2013	Berge	D7/354
8,783,170	B2 *	7/2014	Mathey et al.	99/407
2004/0154474	A1 *	8/2004	Chan	99/407
2008/0124438	A1 *	5/2008	Forte et al.	426/389

(\*\*) Term: **14 Years**

\* cited by examiner

(21) Appl. No.: **29/478,961**

*Primary Examiner* — Ricky Pham

(22) Filed: **Jan. 10, 2014**

(30) **Foreign Application Priority Data**

Jul. 10, 2013 (EM) ..... 002271940-0001

(51) **LOC (10) Cl.** ..... **07-02**

(52) **U.S. Cl.**  
USPC ..... **D7/409**; D7/354

(58) **Field of Classification Search**  
USPC ..... D7/323, 332, 335-337, 354-355,  
D7/359-364, 387-388, 402, 407-409

CPC ..... A21B 2/00; A21B 3/00; A21B 3/13;  
A21B 3/15; A21B 5/00; A21B 5/02; A23N  
12/06; A23N 12/08; A23N 12/10; A47J  
27/004; A47J 36/38; A47J 37/00; A47J 37/04;  
A47J 37/041; A47J 37/042; A47J 37/06;  
A47J 37/0688; A47J 37/0694; A47J 37/07;  
A47J 37/0704; A47J 37/10; A47J 37/108;  
A47J 37/1209; A47J 37/1219; A47J 37/1276;  
A47J 37/1295; A47J 47/20; A47J 2037/00;  
A47J 2037/06; A47J 2037/0611; A47J  
2037/07; A47J 2037/0786; A47J 2037/0795;

(57) **CLAIM**

The ornamental design for a pan for airfryer, as shown.

**DESCRIPTION**

FIG. 1 is a perspective view of a pan for airfryer showing our new design;

FIG. 2 is a front elevational view thereof;

FIG. 3 is a rear elevational view thereof;

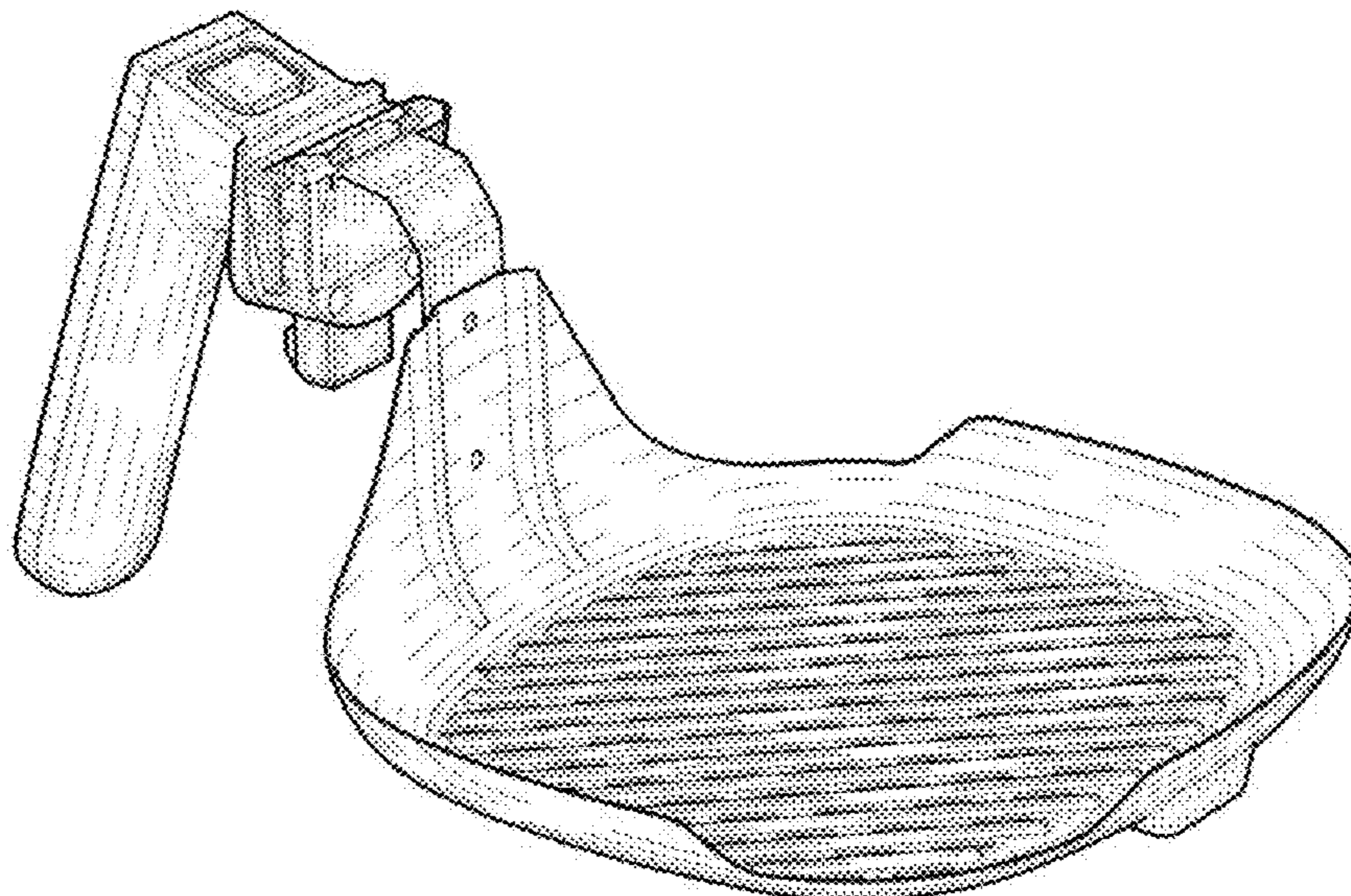
FIG. 4 is a right side elevational view thereof;

FIG. 5 is a left side elevational view thereof;

FIG. 6 is a top plan view thereof; and,

FIG. 7 is a bottom plan view thereof.

**1 Claim, 4 Drawing Sheets**



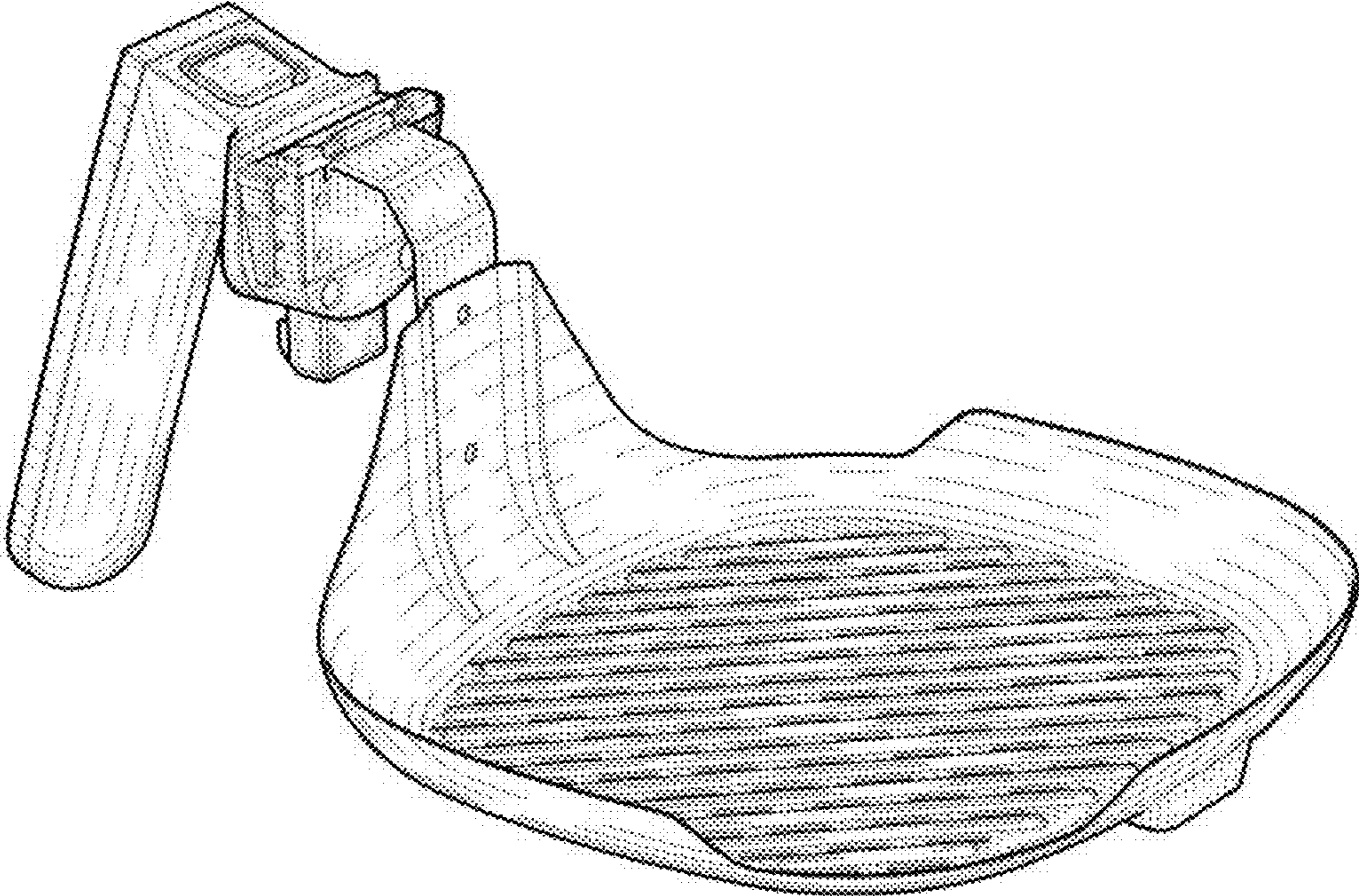


FIG. 1

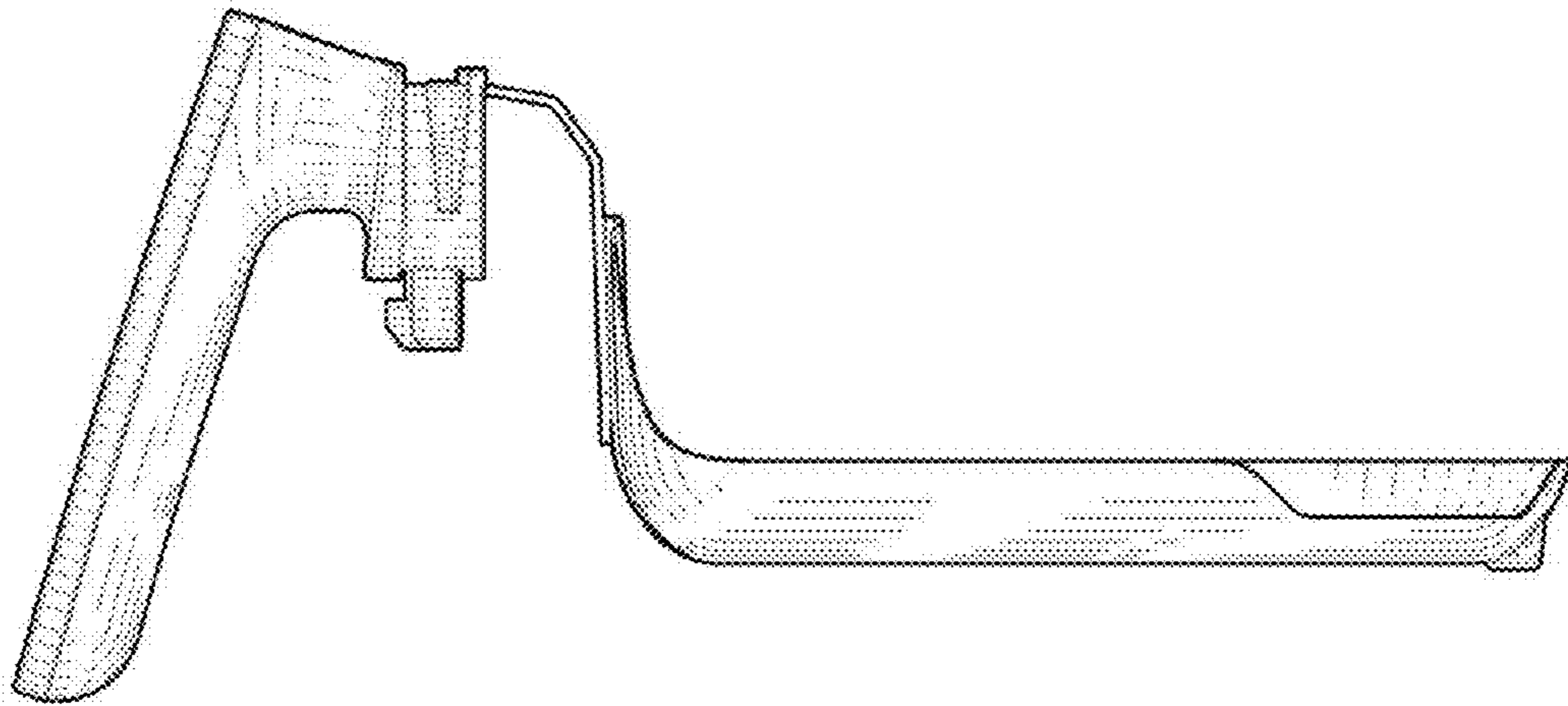


FIG. 2

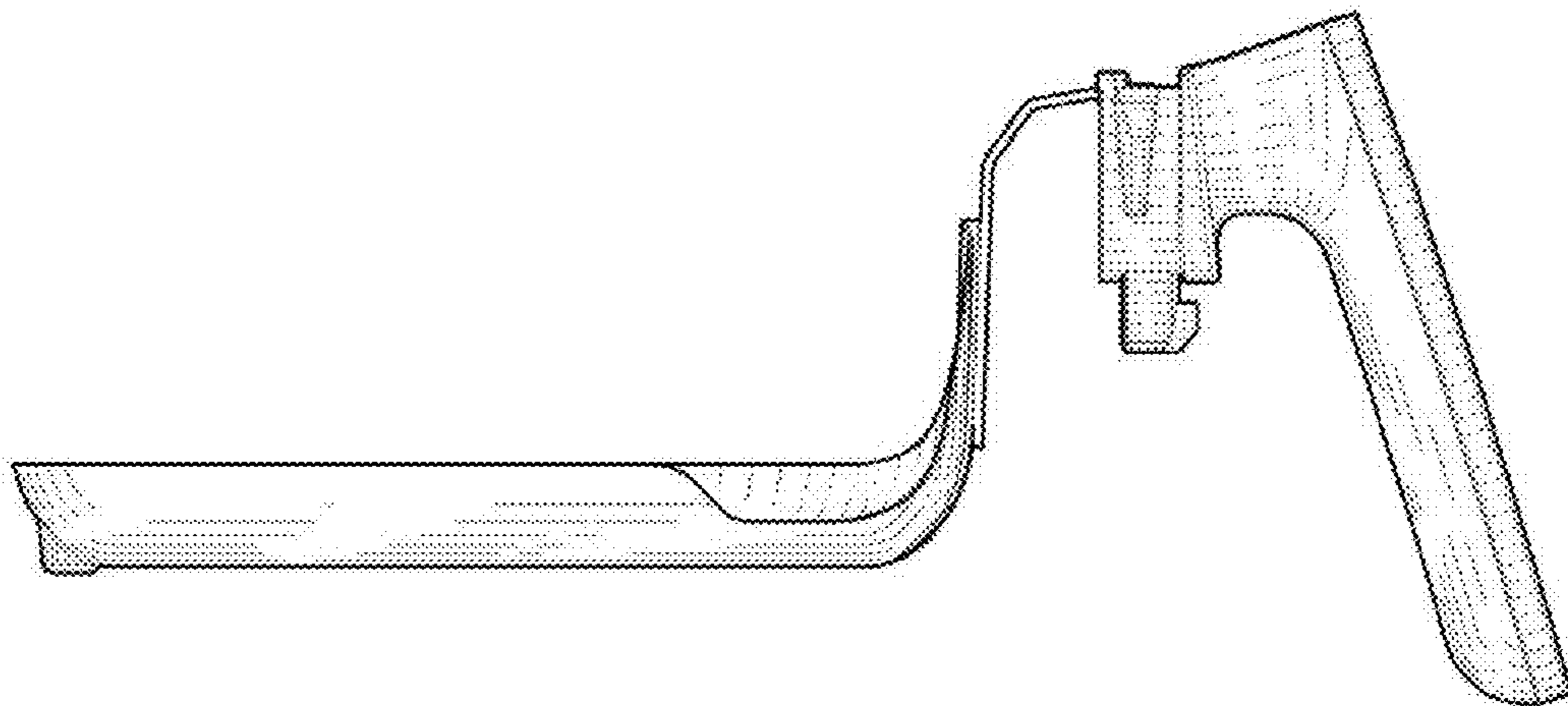


FIG. 3

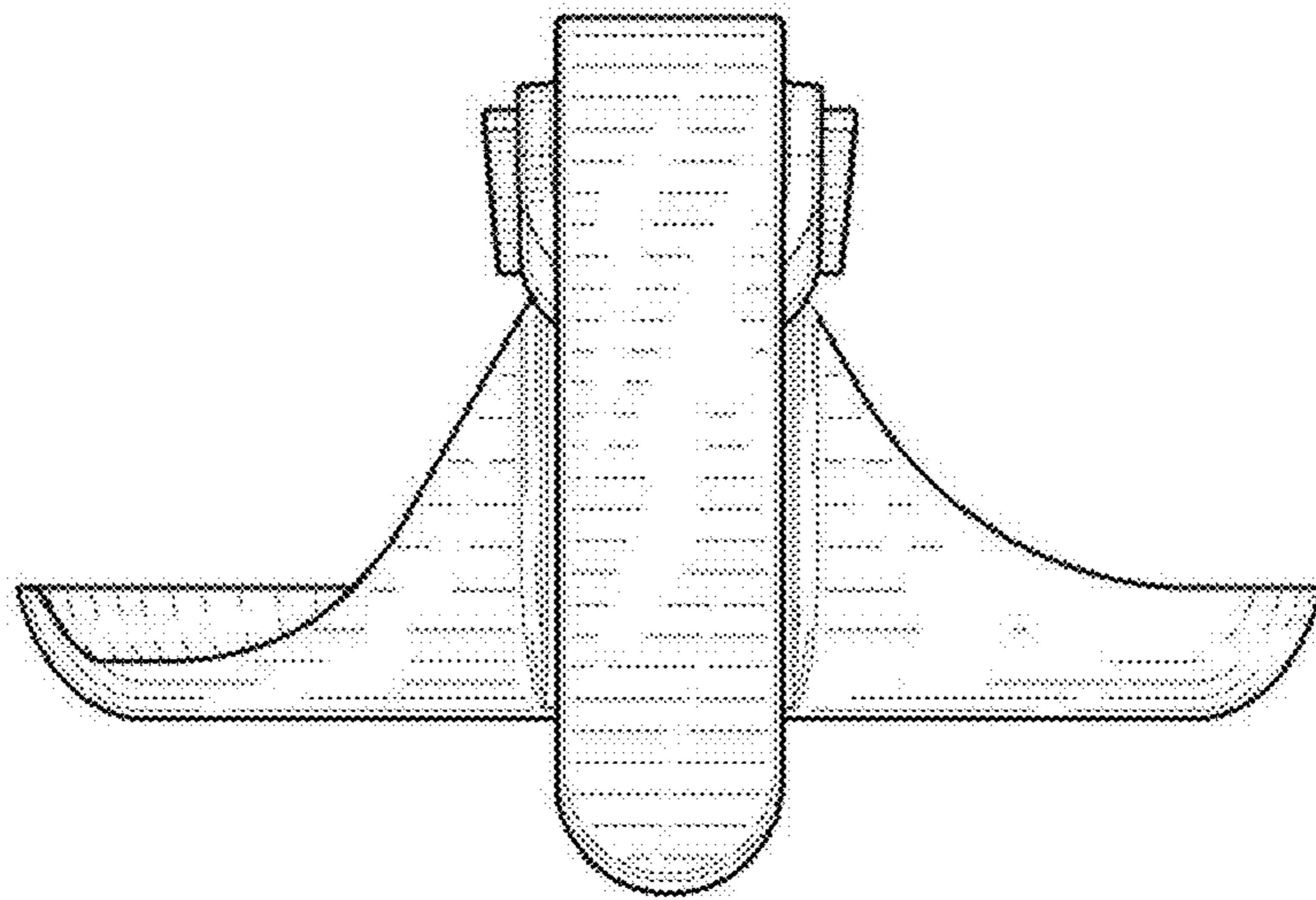


FIG. 4

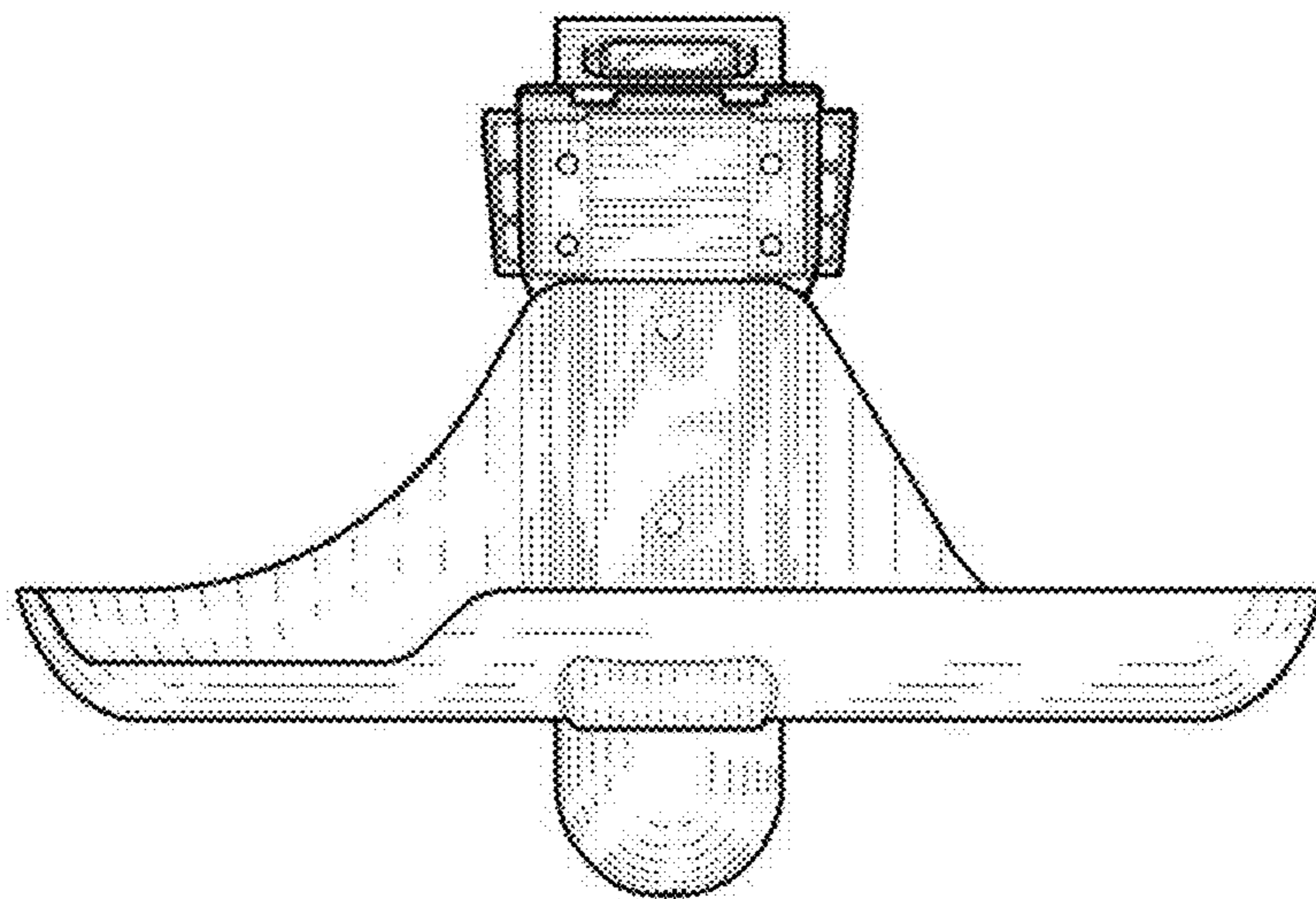


FIG. 5

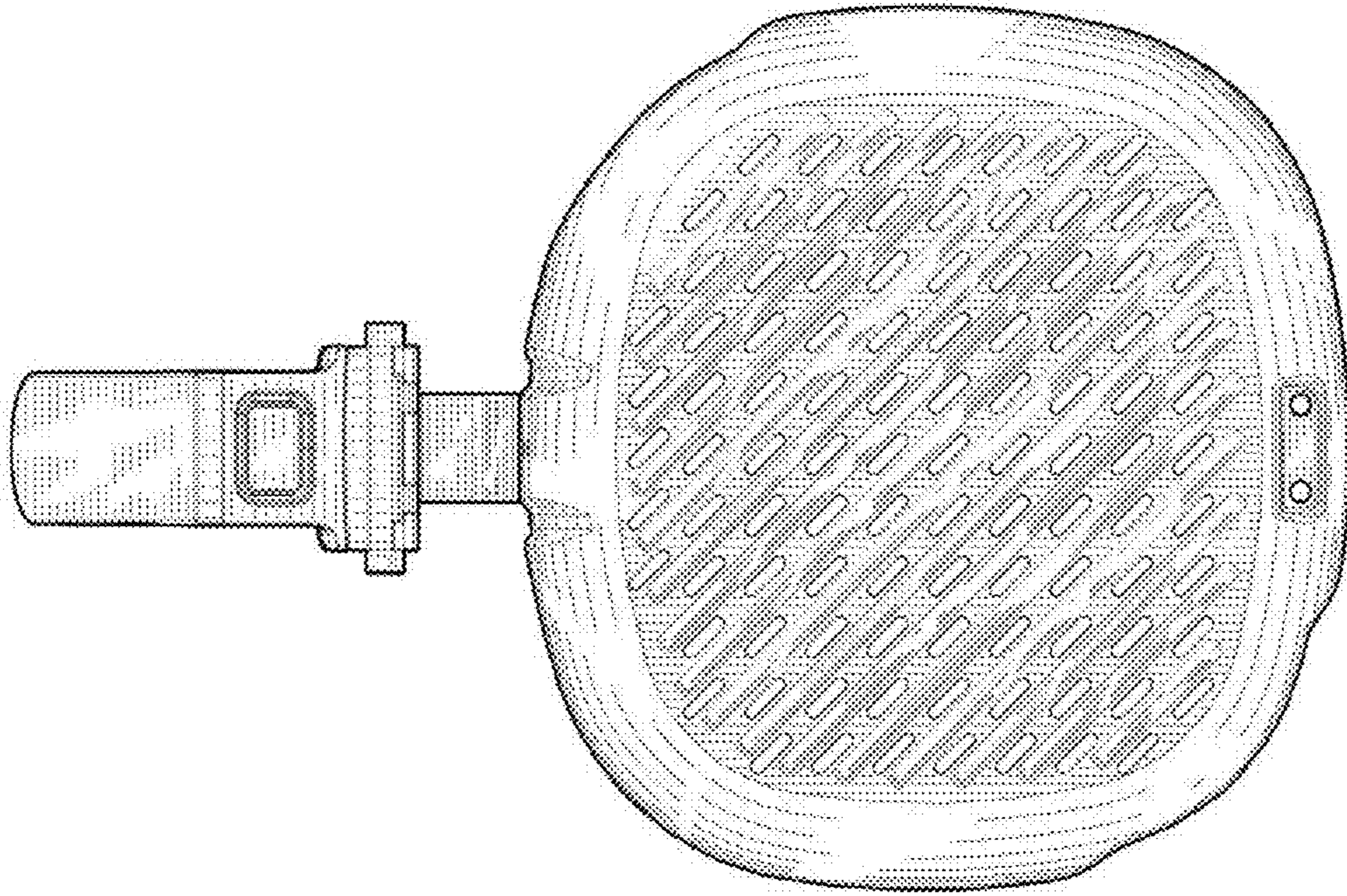


FIG. 6

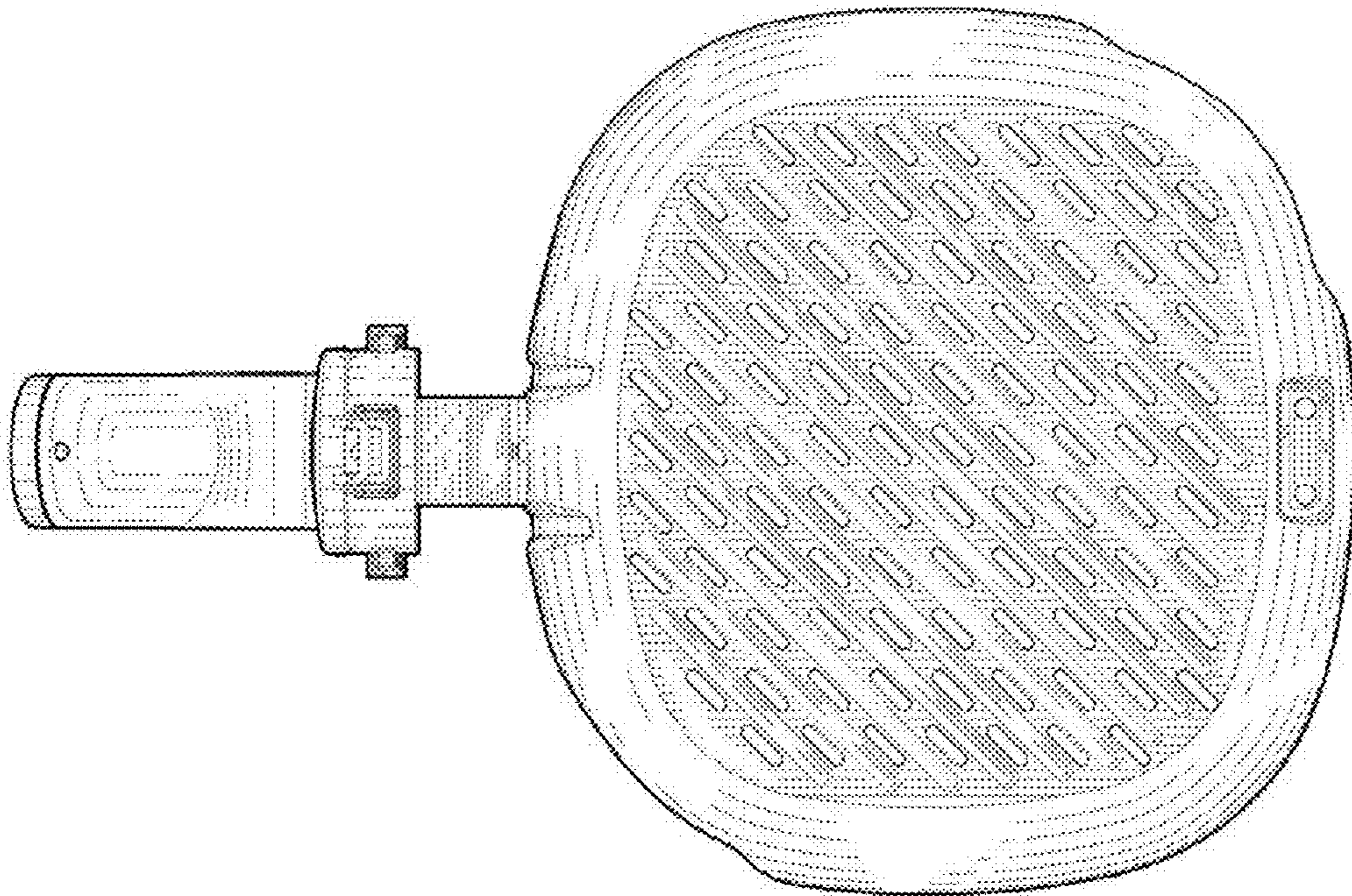


FIG. 7