



US00D740069S

(12) **United States Design Patent**  
**Nichols et al.**

(10) **Patent No.:** **US D740,069 S**

(45) **Date of Patent:** **\*\* Oct. 6, 2015**

(54) **ROTISSERIE KABOB ASSEMBLY**

(56)

**References Cited**

(71) Applicant: **Euro-Pro Operating LLC**, Newton, MA (US)

U.S. PATENT DOCUMENTS

(72) Inventors: **Mark Allen Nichols**, Newton Highlands, MA (US); **Joyce Chien Tu**, Brighton, MA (US); **Cory Smith**, Auburndale, MA (US); **Michael Joseph Smith**, Salem, MA (US); **August Drufke**, Brighton, MA (US); **R. William Arling**, Windham, NH (US)

1,817,351	A *	8/1931	Cookson	99/341
1,938,466	A *	12/1933	Rubenstein	211/74
2,762,293	A *	9/1956	Boyajian	99/421 P
3,379,119	A *	4/1968	Harrill	99/421 R
3,566,777	A *	3/1971	Koziol	99/427
4,027,583	A *	6/1977	Spanek et al.	99/421 H
D254,308	S *	2/1980	Polak et al.	D7/338
4,483,241	A *	11/1984	Vaughn	99/421 H
4,688,477	A *	8/1987	Waltman	99/427
D292,863	S *	11/1987	Johansson	D7/338
4,787,302	A *	11/1988	Waltman et al.	99/427
5,101,715	A *	4/1992	Liu	99/421 V
D336,593	S *	6/1993	Yeuan	D7/402

(73) Assignee: **EURO-PRO OPERATING LLC**, Newtown, MA (US)

(Continued)

(\*\*) Term: **14 Years**

*Primary Examiner* — Ricky Pham

(74) *Attorney, Agent, or Firm* — Cantor Colburn LLP

(21) Appl. No.: **29/473,235**

(57)

**CLAIM**

The ornamental design for a rotisserie kabob assembly, as shown and described.

(22) Filed: **Nov. 20, 2013**

(51) **LOC (10) Cl.** ..... **07-02**

(52) **U.S. Cl.**  
USPC ..... **D7/409**

**DESCRIPTION**

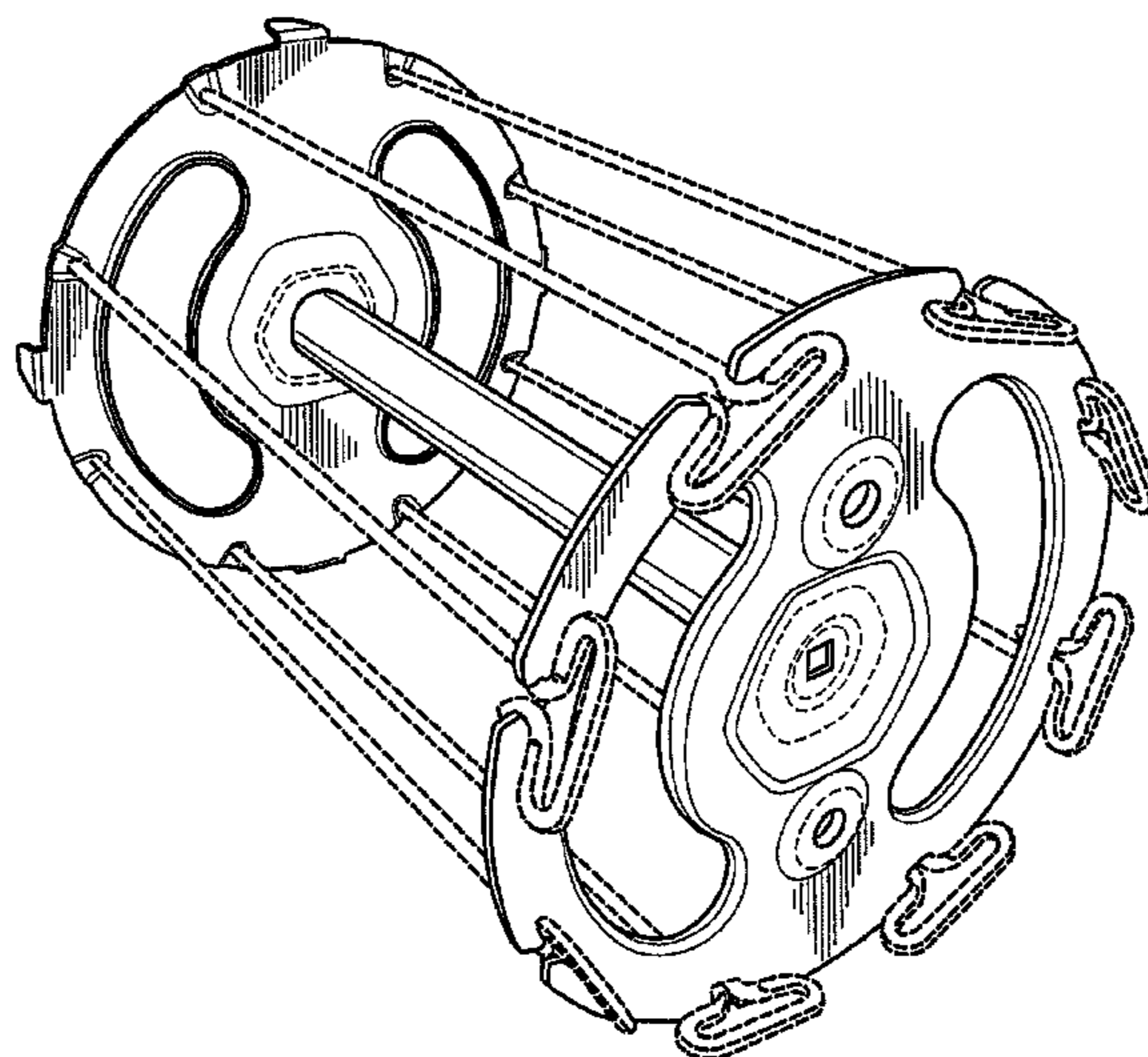
(58) **Field of Classification Search**

USPC ..... D7/323, 332, 335–338, 354–355, D7/359–364, 387–388, 402, 407–409  
CPC ..... A21B 2/00; A21B 3/00; A21B 3/13; A21B 3/15; A21B 5/00; A21B 5/02; A23N 12/06; A23N 12/08; A23N 12/10; A47J 37/00; A47J 37/04; A47J 37/041; A47J 37/042; A47J 37/043; A47J 37/047; A47J 37/049; A47J 37/06; A47J 37/0688; A47J 37/0694; A47J 37/07; A47J 37/0704; A47J 37/10; A47J 43/18; A47J 47/20; A47J 2037/00; A47J 2037/06; A47J 2037/0611; A47J 2037/07; A47J 2037/0786; A47J 2037/0795; A47F 5/13; F24C 15/10; F24C 15/12; F24C 15/14; F24C 15/16; F24C 15/164; F24C 15/18

FIG. 1 is a perspective view of the rotisserie kabob assembly of this invention;  
FIG. 2 is a front view of the rotisserie kabob assembly of this invention;  
FIG. 3 is a rear view of the rotisserie kabob assembly of this invention;  
FIG. 4 is a top view of the rotisserie kabob assembly of this invention;  
FIG. 5 is a bottom view of the rotisserie kabob assembly of this invention;  
FIG. 6 is a view of the left side of the rotisserie kabob assembly of this invention; and,  
FIG. 7 is a view of the right side of the rotisserie kabob assembly of this invention.  
The broken lines shown in the drawings are for illustrative purposes only and form no part of the claimed design.

See application file for complete search history.

**1 Claim, 7 Drawing Sheets**



(56)

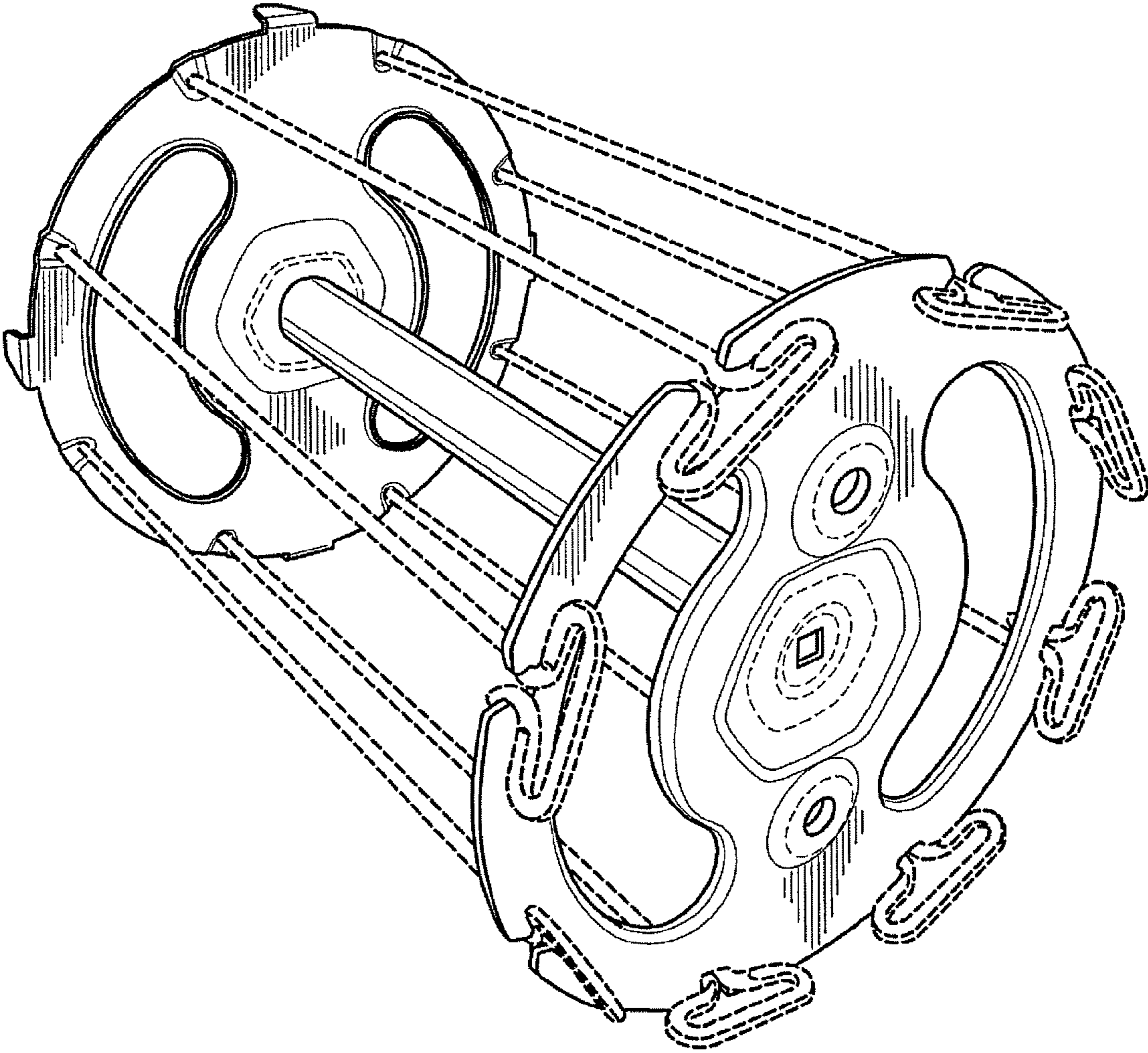
**References Cited**

U.S. PATENT DOCUMENTS

D349,419 S \* 8/1994 Koopman ..... D7/338  
5,471,915 A \* 12/1995 Lopata ..... 99/421 H  
5,473,977 A \* 12/1995 Koether et al. .... 99/421 P  
5,562,022 A \* 10/1996 Schmid et al. .... 99/421 H  
D391,799 S \* 3/1998 Haring et al. .... D7/338

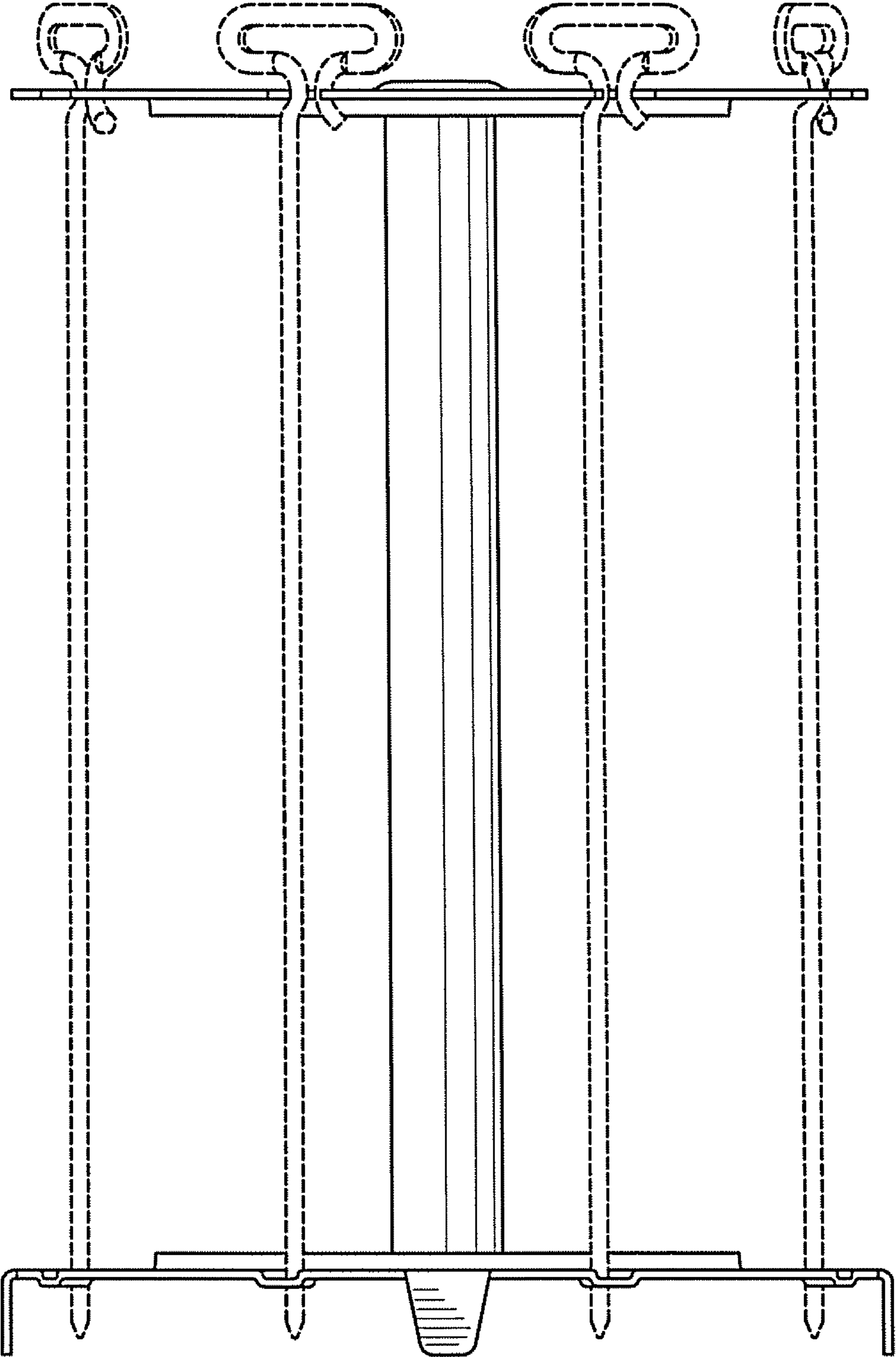
D409,047 S \* 5/1999 Battioli ..... D7/402  
5,970,854 A \* 10/1999 Tsai ..... 99/421 H  
6,079,322 A \* 6/2000 Su ..... 99/421 H  
6,347,577 B1 \* 2/2002 Harneit ..... 99/427  
D459,143 S \* 6/2002 Pasternak ..... D7/338  
6,568,316 B1 \* 5/2003 Backus et al. .... 99/421 H  
D650,228 S \* 12/2011 Gardner ..... D7/409  
2010/0199855 A1 \* 8/2010 Georgis ..... 99/421 V

\* cited by examiner



*FIG. 1*





*FIG. 2*

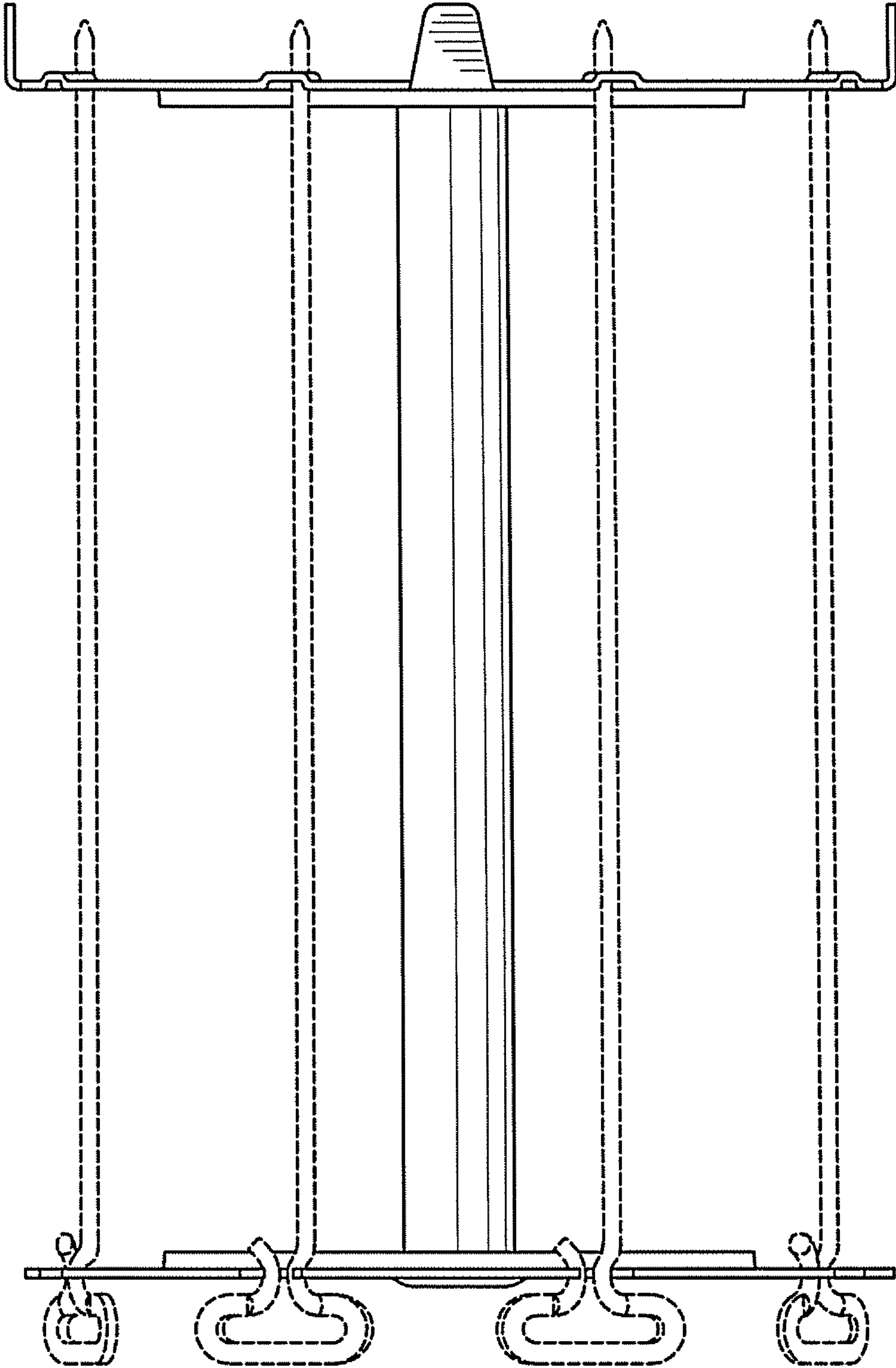


FIG. 3

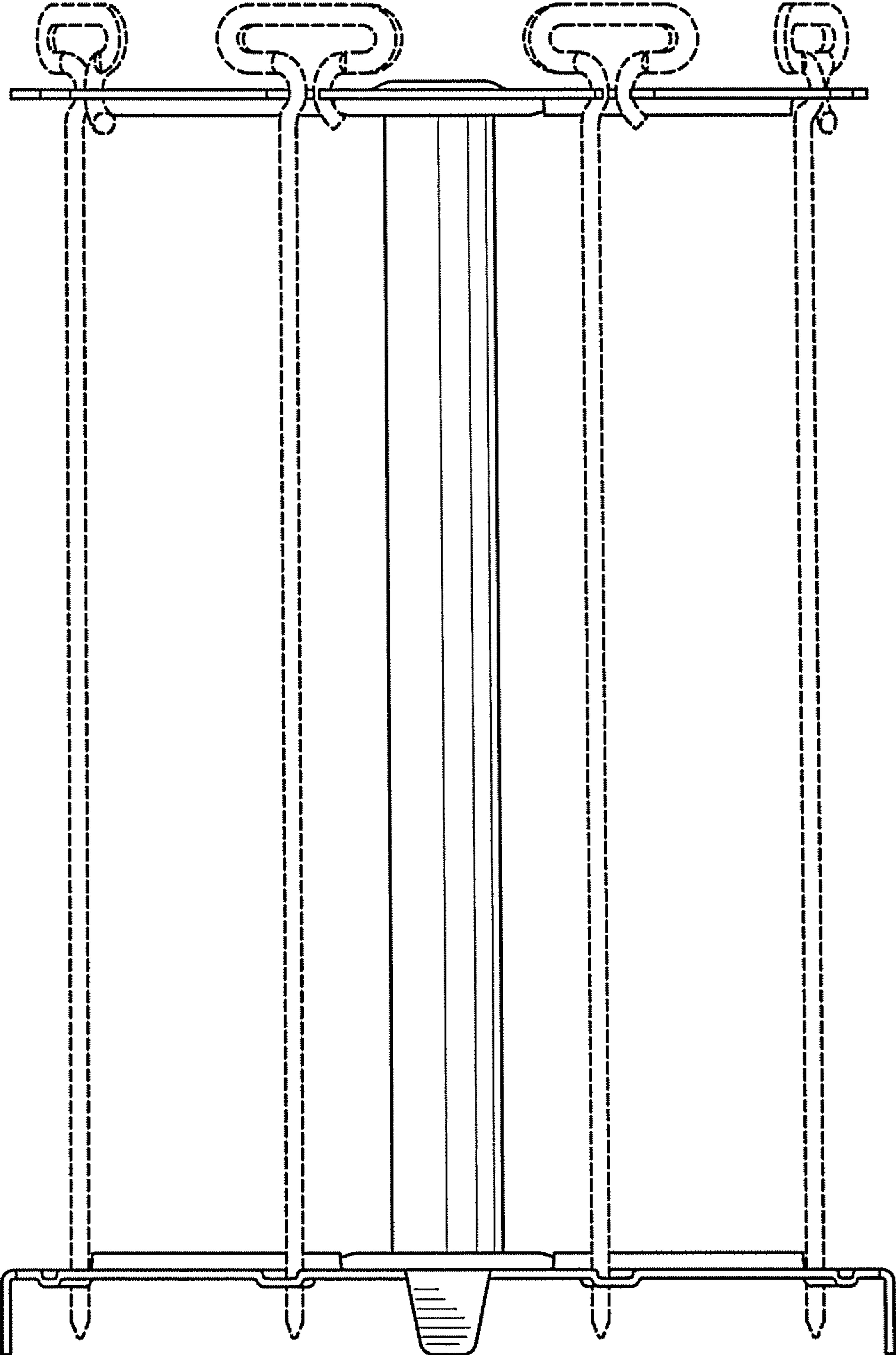


FIG. 4

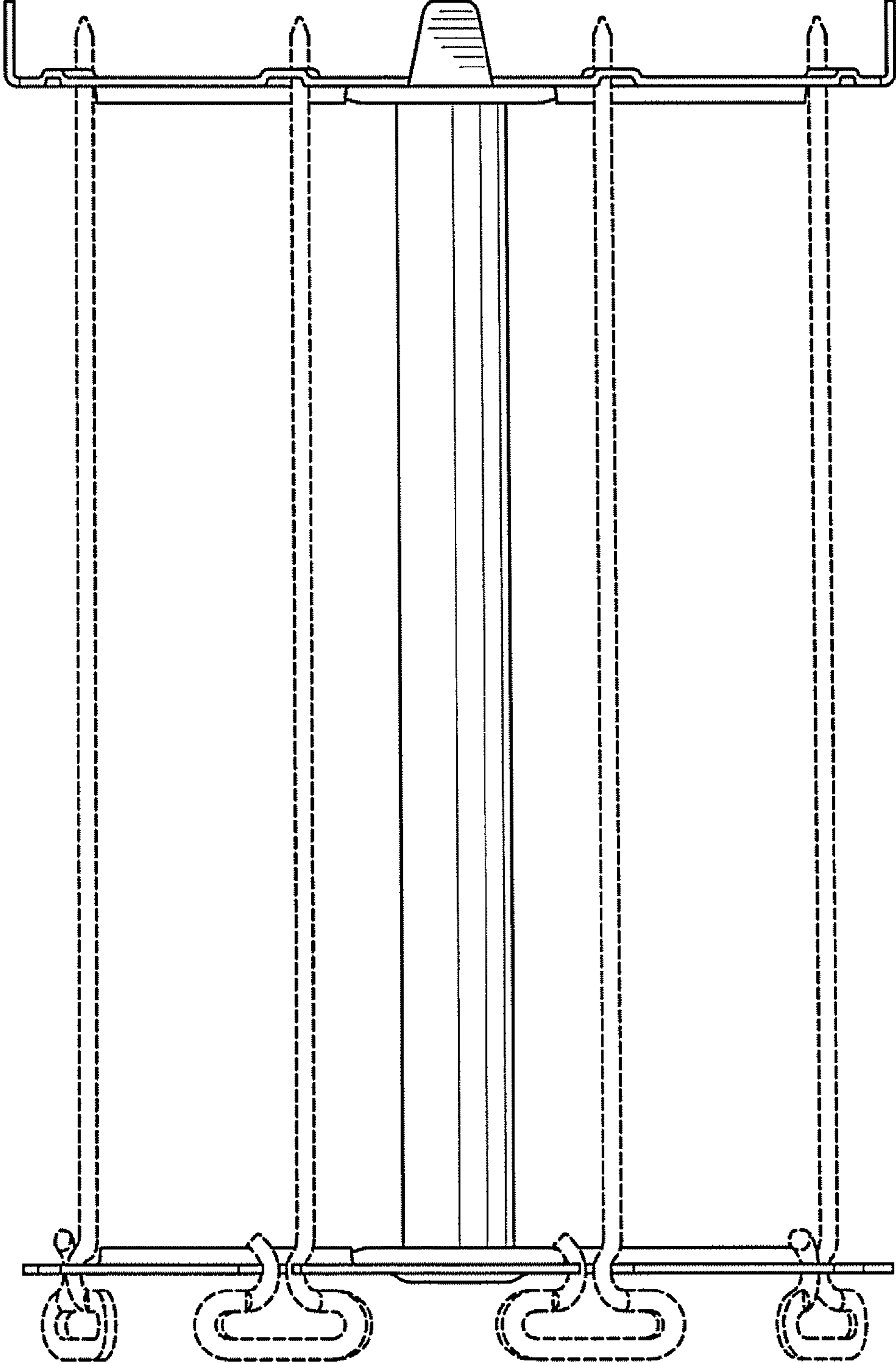
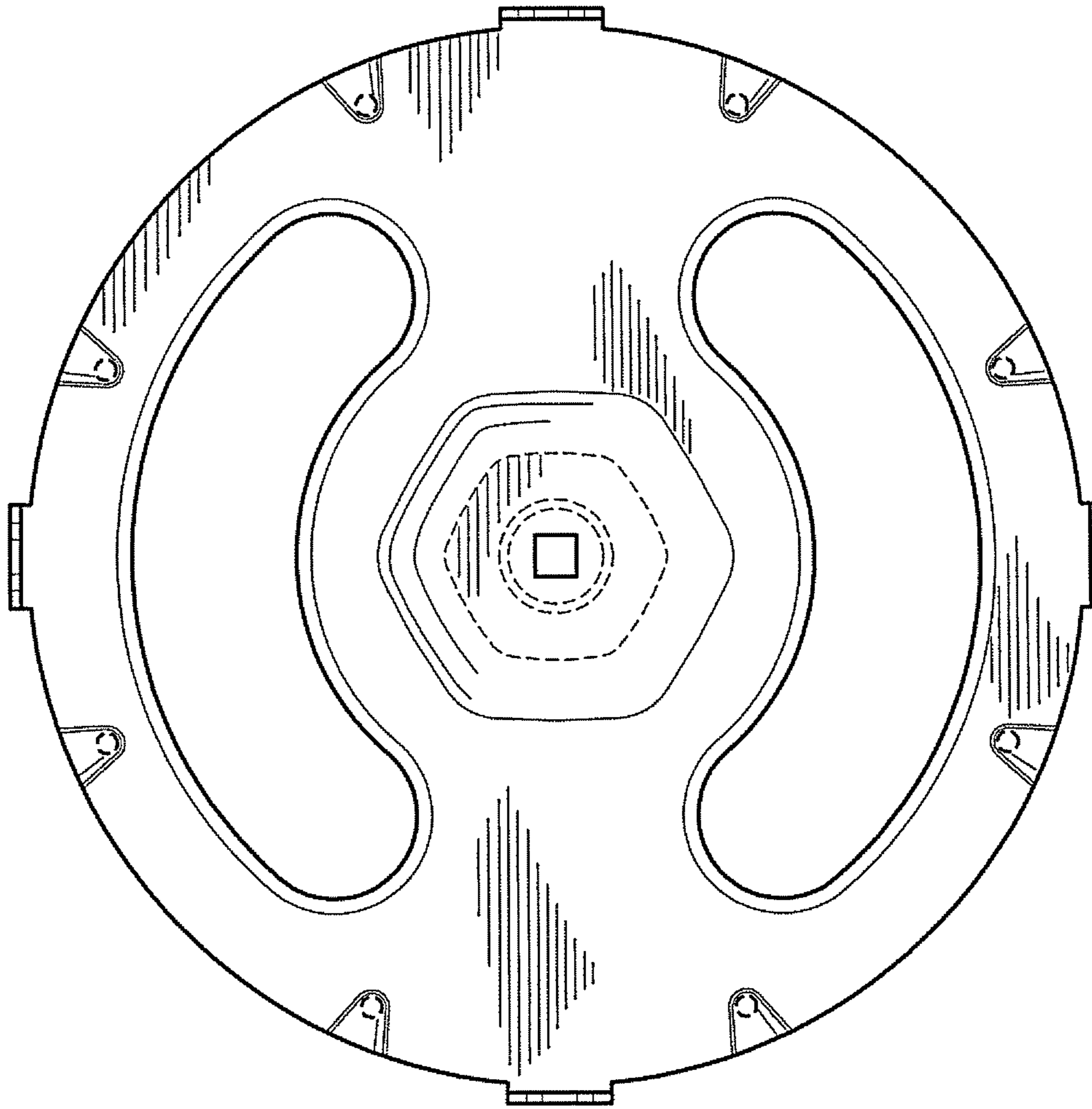
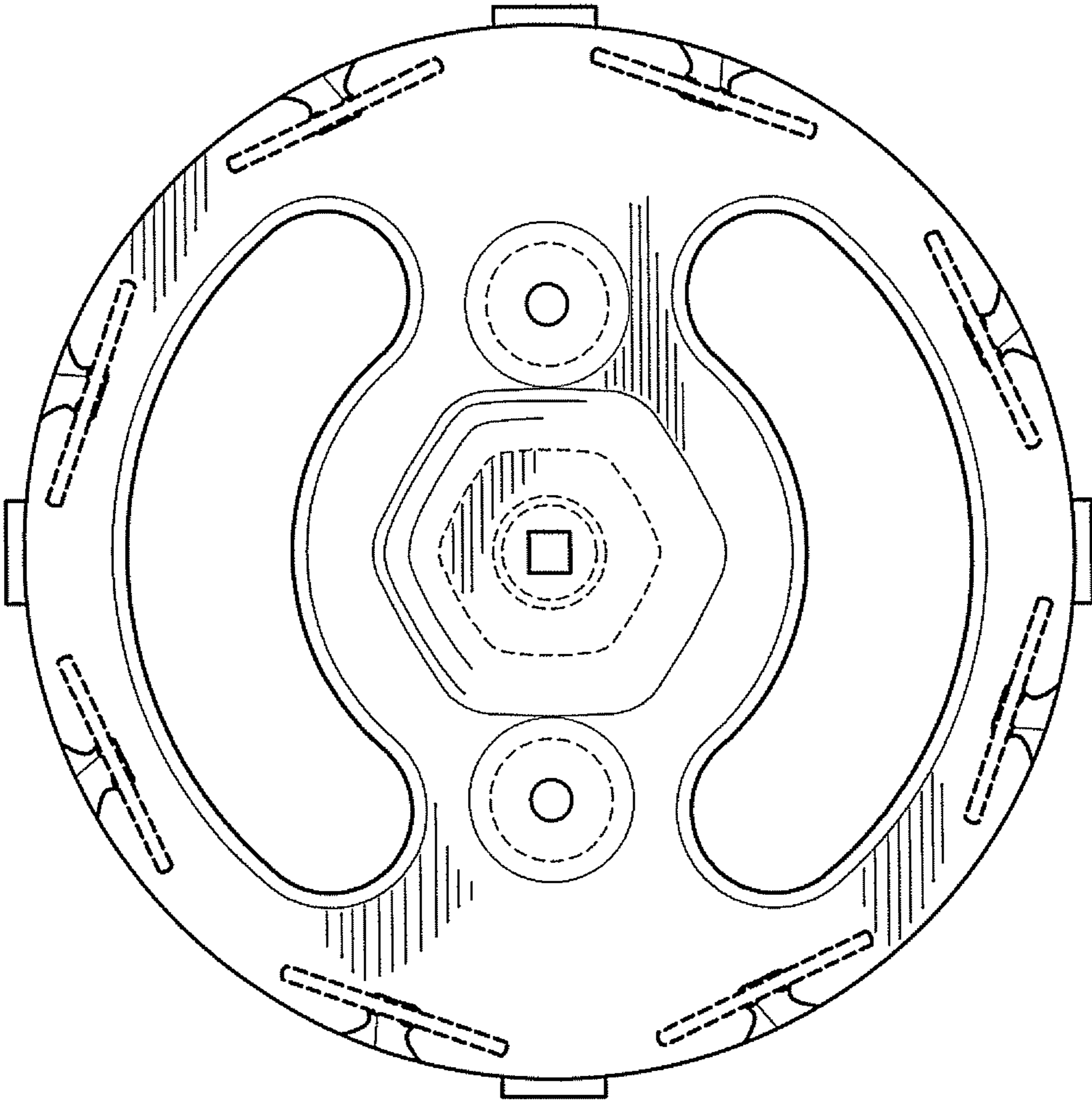


FIG. 5



**FIG. 6**





**FIG. 7**