



US00D740068S

(12) **United States Design Patent**
Bucks

(10) **Patent No.:** **US D740,068 S**

(45) **Date of Patent:** **** *Oct. 6, 2015**

(54) **KNIFE CLAMP**

(56) **References Cited**

(71) Applicant: **FAM**, Kontich (BE)

U.S. PATENT DOCUMENTS

(72) Inventor: **Brent L. Bucks**, Lakewood Ranch, FL (US)

D48,474	S	*	1/1916	Lehrmann	D7/650
D49,762	S	*	10/1916	Doust	D8/9
1,218,145	A	*	3/1917	Whittier	81/45
1,219,161	A	*	3/1917	Rowland	30/166.3
D57,561	S	*	4/1921	Wilson	D8/19
3,017,908	A	*	1/1962	Higbee	83/835
D220,420	S	*	4/1971	Rothwell	D8/13
3,818,593	A	*	6/1974	Oliverius	30/169
D232,907	S	*	9/1974	Yankee	D8/13
D237,245	S	*	10/1975	Smyth	D8/6
D243,438	S	*	2/1977	Batley	D8/16
D265,791	S	*	8/1982	Fieni	D8/88
D317,854	S	*	7/1991	Pifalo	D8/11
5,280,676	A	*	1/1994	Fieni	30/172

(73) Assignee: **FAM**, Kontich (BE)

(*) Notice: This patent is subject to a terminal disclaimer.

(**) Term: **14 Years**

(21) Appl. No.: **29/490,210**

(22) Filed: **May 7, 2014**

(Continued)

(30) **Foreign Application Priority Data**

Primary Examiner — Ricky Pham

Nov. 7, 2013 (EM) 001389092-0001

(74) Attorney, Agent, or Firm — Koppel, Patrick, Heybl & Philpott

(51) **LOC (10) Cl.** **07-03**

(52) **U.S. Cl.**
USPC **D7/401.2**; D7/649

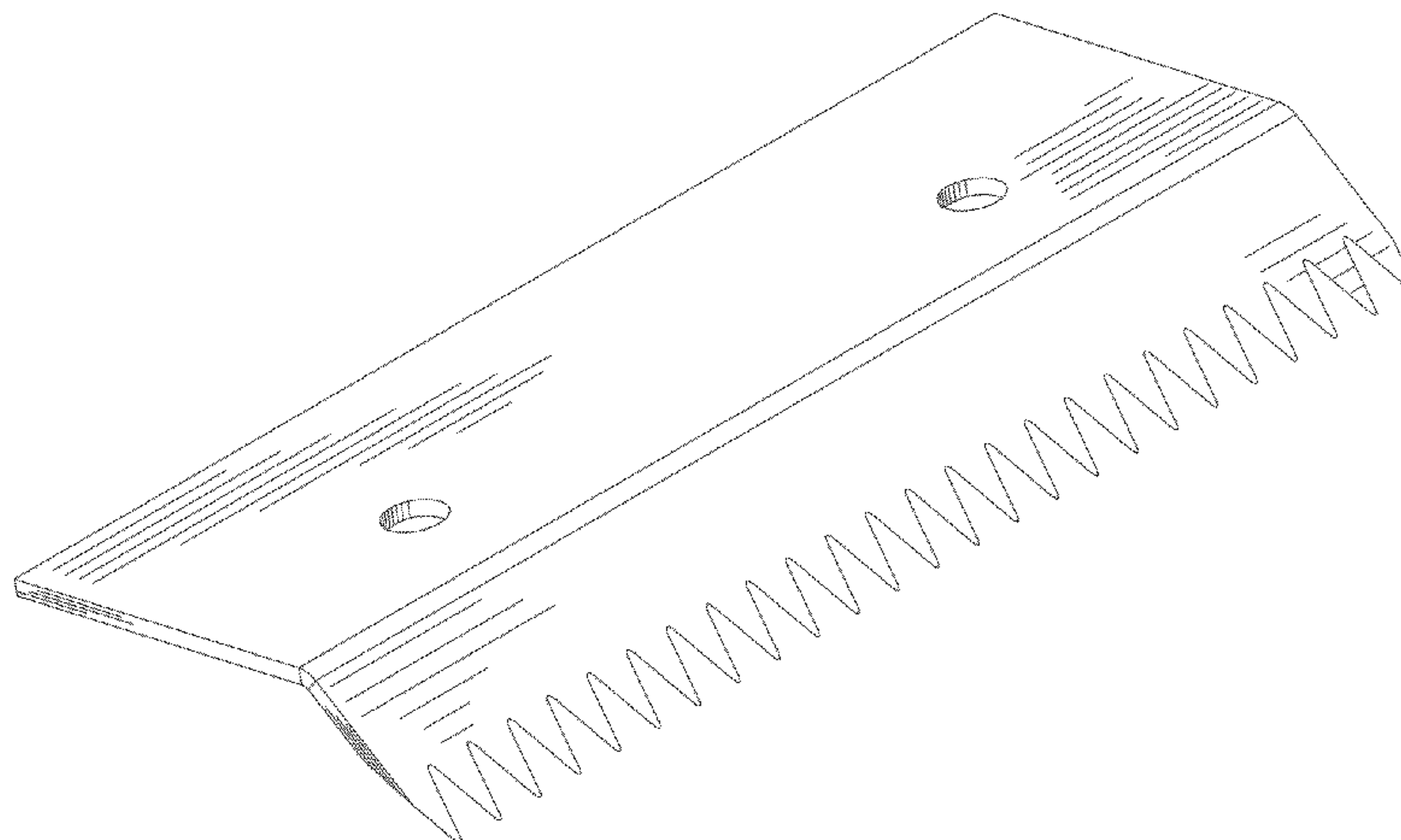
(57) **CLAIM**
The ornamental design for a knife clamp, as shown.

(58) **Field of Classification Search**
USPC D7/393–395, 401.2, 642–652, 693, D7/695–696; D8/6, 8, 9, 11, 13, 16, 19, D8/20, 88, 93, 97–100, 107, 300, 321; D15/11; D22/117–118; D24/146; 30/136, 142, 147–149, 166.3, 169, 30/172, 329, 340–345, 349, 355; 81/45; 83/835; 144/220
CPC . A47G 21/06; A47G 21/065; A61B 17/3211; A61B 17/3213; B21D 53/64; B23D 49/14; B23D 51/10; B26B 1/00; B26B 1/08; B26B 1/10; B26B 3/00; B26B 3/02; B26B 3/03; B26B 3/04; B26B 3/06; B26B 5/00; B26B 5/001; B26B 5/007; B26B 7/00; B26B 7/005; B26B 9/00; B26B 9/02; B26B 11/00; B26B 11/006; B26B 17/00; B26B 17/006; B27L 11/007; E04D 15/003; E04G 23/006
See application file for complete search history.

DESCRIPTION

FIG. 1 is an isometric view of a top, front, and left side of a new ornamental design for a knife clamp;
FIG. 2 is a top view of the knife clamp of FIG. 1;
FIG. 3 is a bottom view of the knife clamp of FIG. 1;
FIG. 4 is a left side elevational view, the right side elevational view being a mirror image thereof, of the knife clamp of FIG. 1;
FIG. 5 is a front elevational view of the knife clamp of FIG. 1; and,
FIG. 6 is a rear elevational view of the knife clamp of FIG. 1.

1 Claim, 3 Drawing Sheets



(56)

References Cited

U.S. PATENT DOCUMENTS

D359,666 S *	6/1995	Richards	D8/13	D617,350 S *	6/2010	Cummings	D15/11
D439,666 S *	3/2001	Ventura	D24/146	D619,865 S *	7/2010	Boehler	D8/20
6,318,213 B1 *	11/2001	Hendrix et al.	81/45	D623,490 S *	9/2010	Lauber	D8/20
7,028,584 B1 *	4/2006	Gracy	81/45	8,225,828 B2 *	7/2012	Greiner	144/220
D617,161 S *	6/2010	Tom et al.	D8/20	D715,117 S *	10/2014	Nikas	D8/8
				2004/0158995 A1 *	8/2004	Dunn-Rankin	30/355
				2006/0101649 A1 *	5/2006	Chen	30/349

* cited by examiner

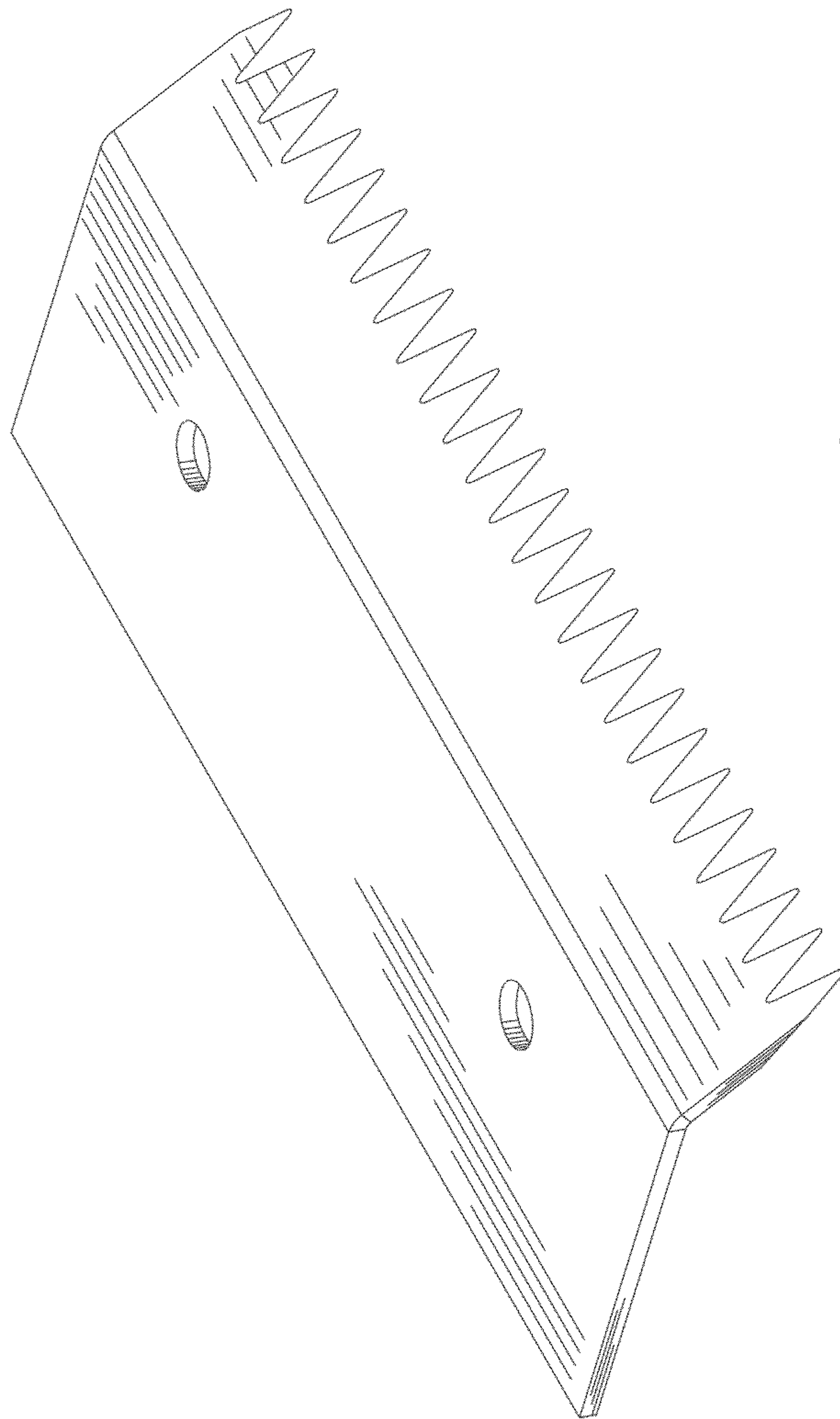


FIG. 1

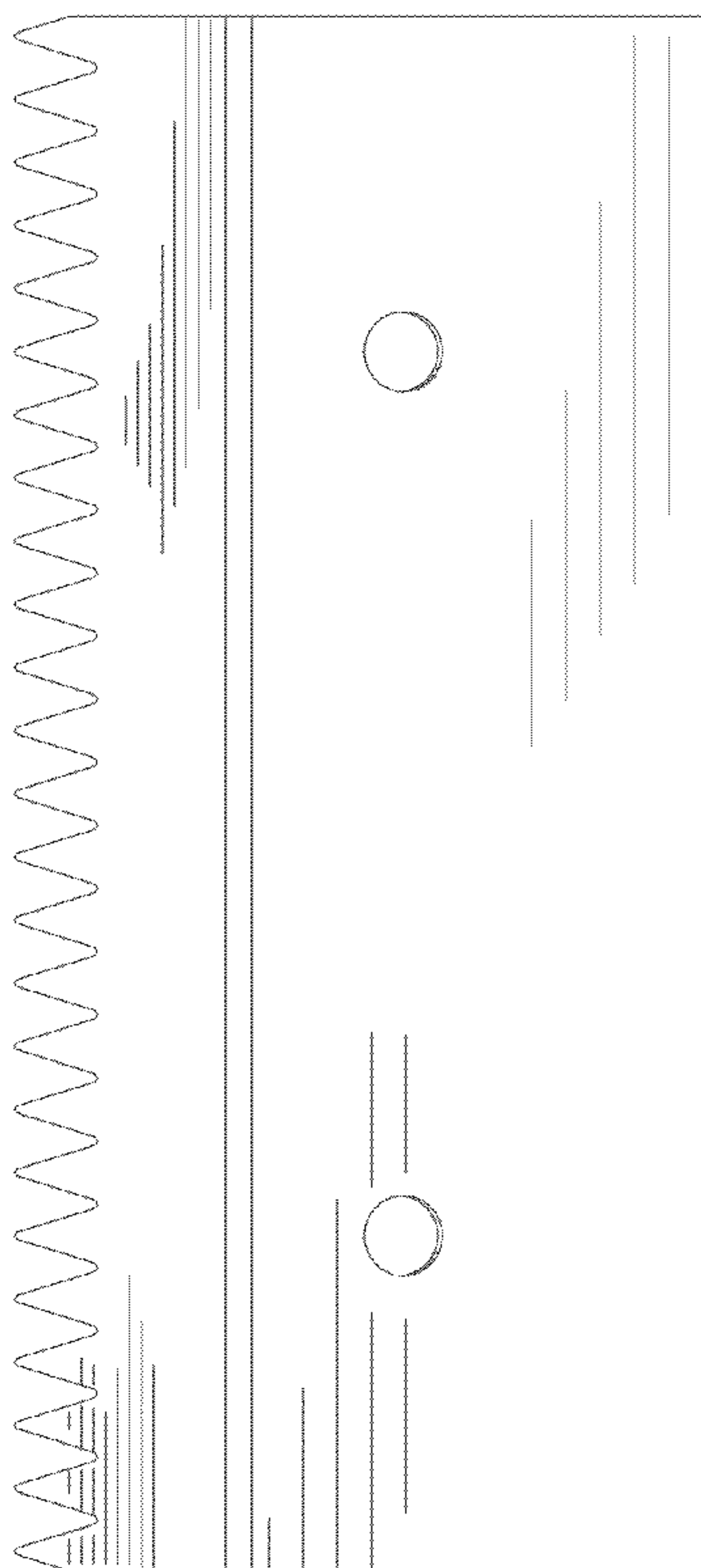


FIG. 2

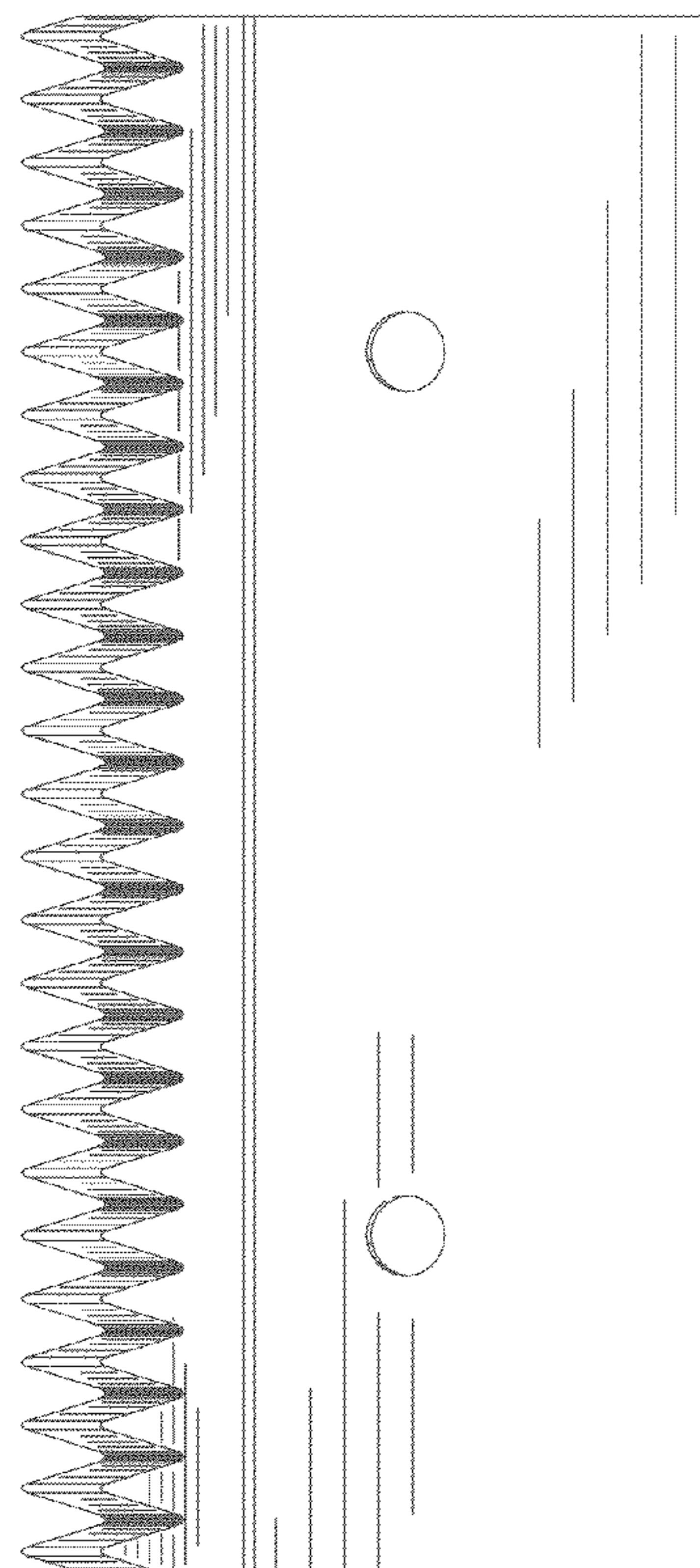


FIG. 3

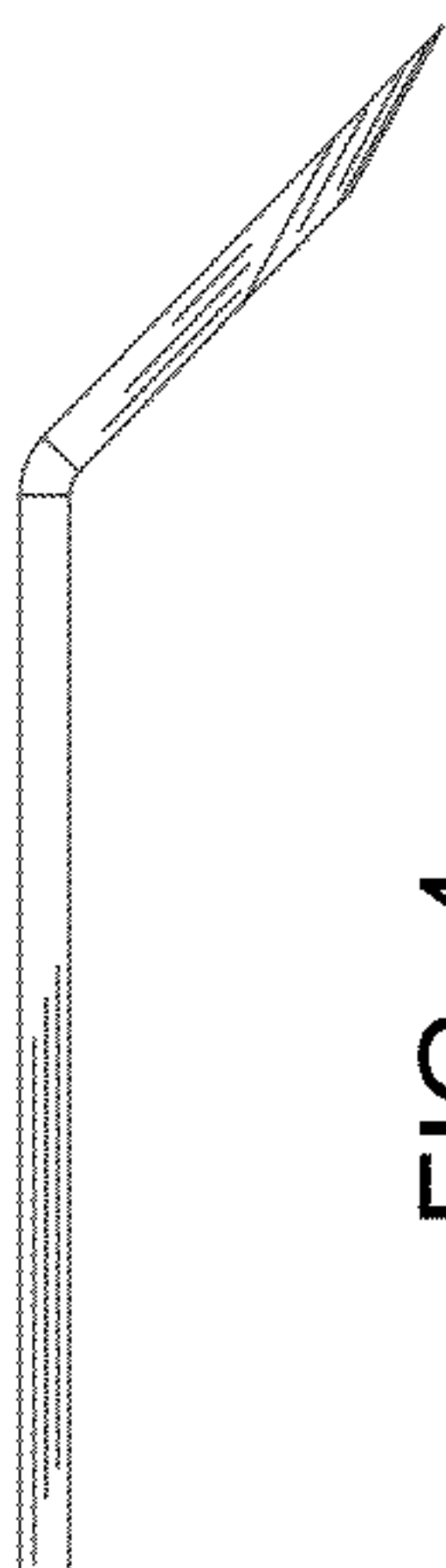


FIG. 4

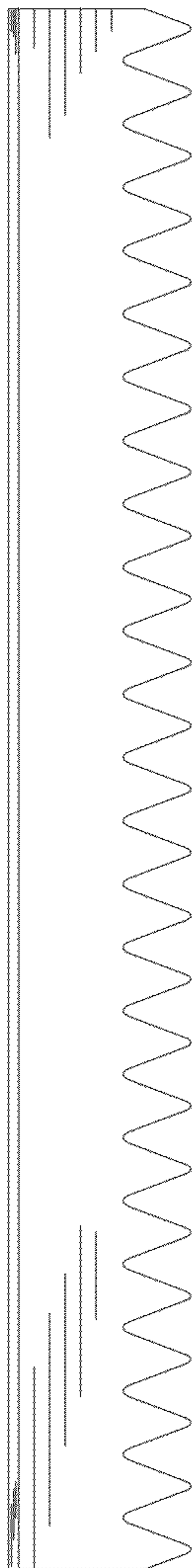


FIG. 5

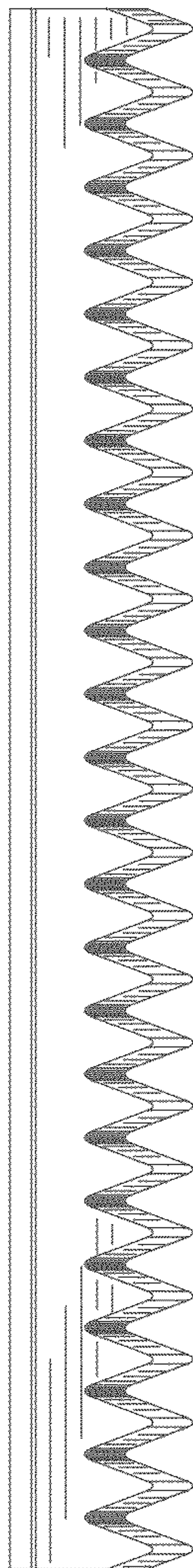


FIG. 6