



US00D740067S

(12) **United States Design Patent**
Katz et al.

(10) **Patent No.:** **US D740,067 S**
(45) **Date of Patent:** **** Oct. 6, 2015**

- (54) **PORTION OF COFFEE MAKER**
- (71) Applicants: **Paul Katz**, Palo Alto, CA (US); **Morris Elijah Worden, IV**, New York, NY (US); **Alistair Bramley**, Brooklyn, NY (US); **Davin Stowell**, New York, NY (US)
- (72) Inventors: **Paul Katz**, Palo Alto, CA (US); **Morris Elijah Worden, IV**, New York, NY (US); **Alistair Bramley**, Brooklyn, NY (US); **Davin Stowell**, New York, NY (US)
- (73) Assignee: **HELEN OF TROY LIMITED**, St. Michael (BB)
- (**) Term: **14 Years**
- (21) Appl. No.: **29/495,254**
- (22) Filed: **Jun. 28, 2014**
- (51) **LOC (10) Cl.** **07-01**
- (52) **U.S. Cl.**
USPC **D7/399**; D7/400; D7/401
- (58) **Field of Classification Search**
USPC D7/300, 313, 306-311, 305, 397, 399, D7/400, 401; 99/276, 280, 292, 299; 435/287.1; D23/207; 426/433
CPC A47J 31/40; A47J 31/05; A47J 31/46; C12G 3/02; C12G 3/08
See application file for complete search history.

(56) **References Cited**

U.S. PATENT DOCUMENTS

3,178,557	A *	4/1965	Umann	392/445
D228,053	S *	8/1973	Knox et al.	D7/309
D232,410	S *	8/1974	Rakocy	D7/309
D234,285	S *	2/1975	Wickenberg	D7/309

D235,183	S *	5/1975	Braun	D7/667
D239,074	S *	3/1976	Rakocy	D7/309
D241,219	S *	8/1976	Martin	D7/309
D250,195	S *	11/1978	Salmans et al.	D7/311
D255,120	S *	5/1980	Bardeau	D7/309
D267,032	S *	11/1982	Lafontaine	D23/207
D286,848	S *	11/1986	Levin	D7/309
D289,726	S *	5/1987	Greutert	D7/400
5,186,399	A *	2/1993	Knepler et al.	241/34
5,417,145	A *	5/1995	Joseph et al.	99/280
D376,949	S *	12/1996	Barriault et al.	D7/306
D385,747	S *	11/1997	Inoue	D7/311
D600,493	S *	9/2009	Pino et al.	D7/309
D626,621	S *	11/2010	Olson et al.	D23/207
D639,598	S *	6/2011	Eckholm et al.	D7/309
D647,750	S *	11/2011	Duncan et al.	D7/309
D674,464	S *	1/2013	Wilder et al.	D23/209
D690,992	S *	10/2013	Ball	D7/399
D694,566	S *	12/2013	Harthoorn et al.	D7/309
8,739,687	B1 *	6/2014	Tacklind et al.	99/280
8,906,440	B2 *	12/2014	Otto	426/433
D726,479	S *	4/2015	Andreesen	D7/306
D728,294	S *	5/2015	Huang	D7/305

* cited by examiner

Primary Examiner — Marianne Pandozzi

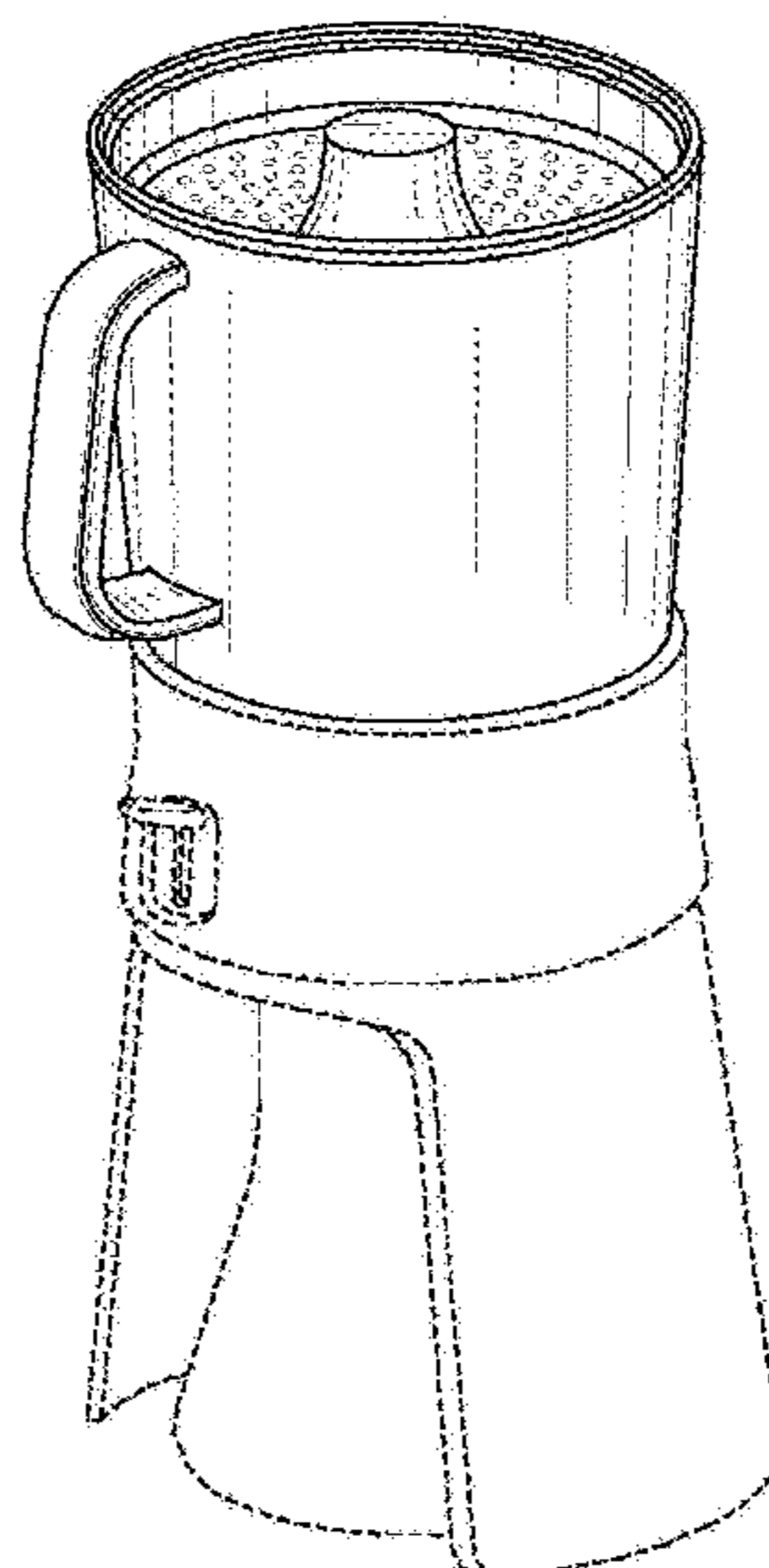
(57) **CLAIM**

The ornamental design for a portion of coffee maker, as shown, and described.

DESCRIPTION

FIG. 1 is a front view of the portion of coffee maker;
 FIG. 2 is a left side view of the portion of coffee maker;
 FIG. 3 is a right side view of the portion of coffee maker;
 FIG. 4 is a rear view of the portion of coffee maker;
 FIG. 5 is a top view of the portion of coffee maker;
 FIG. 6 is a bottom view of the portion of coffee maker; and,
 FIG. 7 is a perspective view of the portion of coffee maker.
 The broken lines are for illustrative purposes only and form no part of the claimed design.

1 Claim, 7 Drawing Sheets



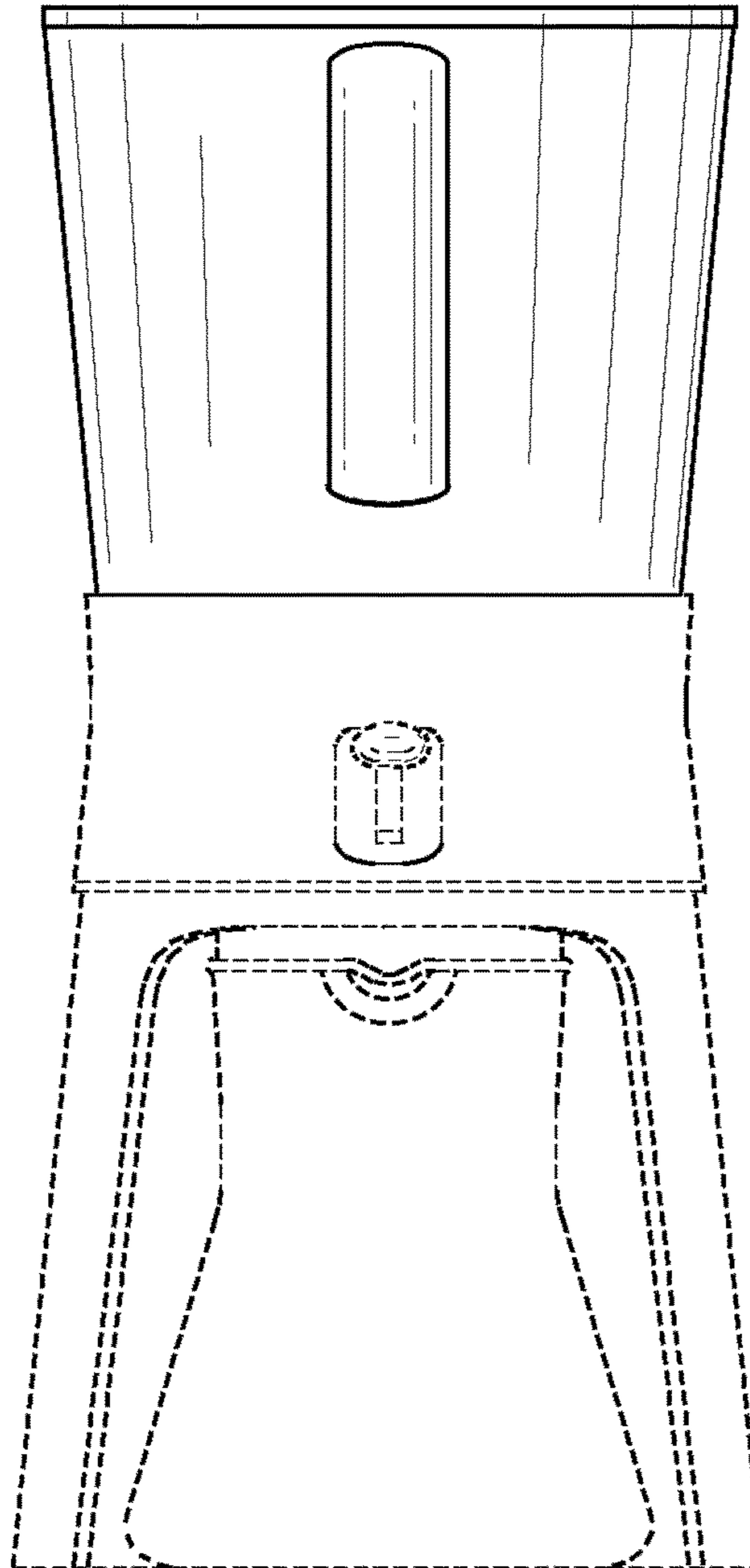


Figure 1

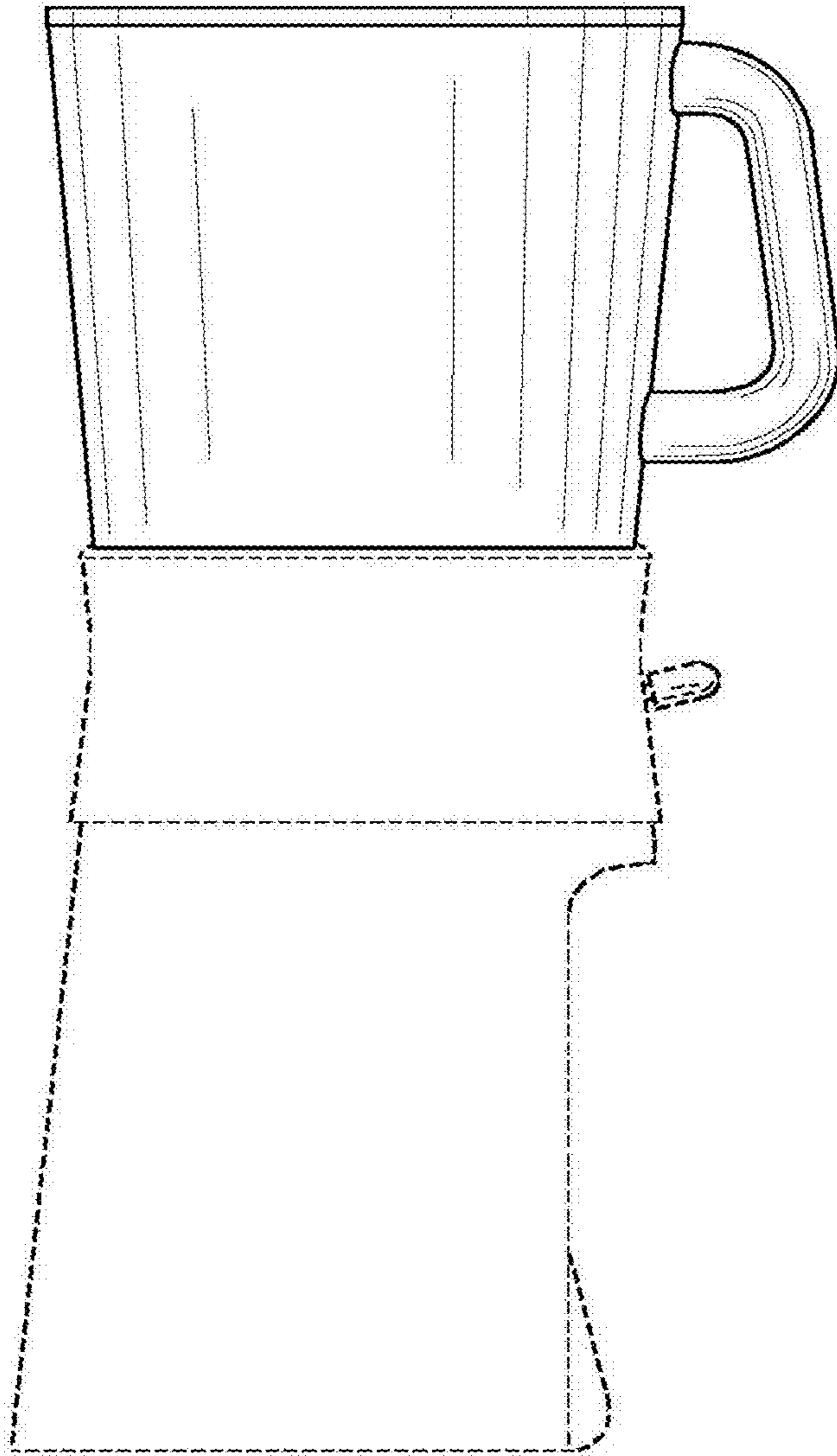


Figure 2

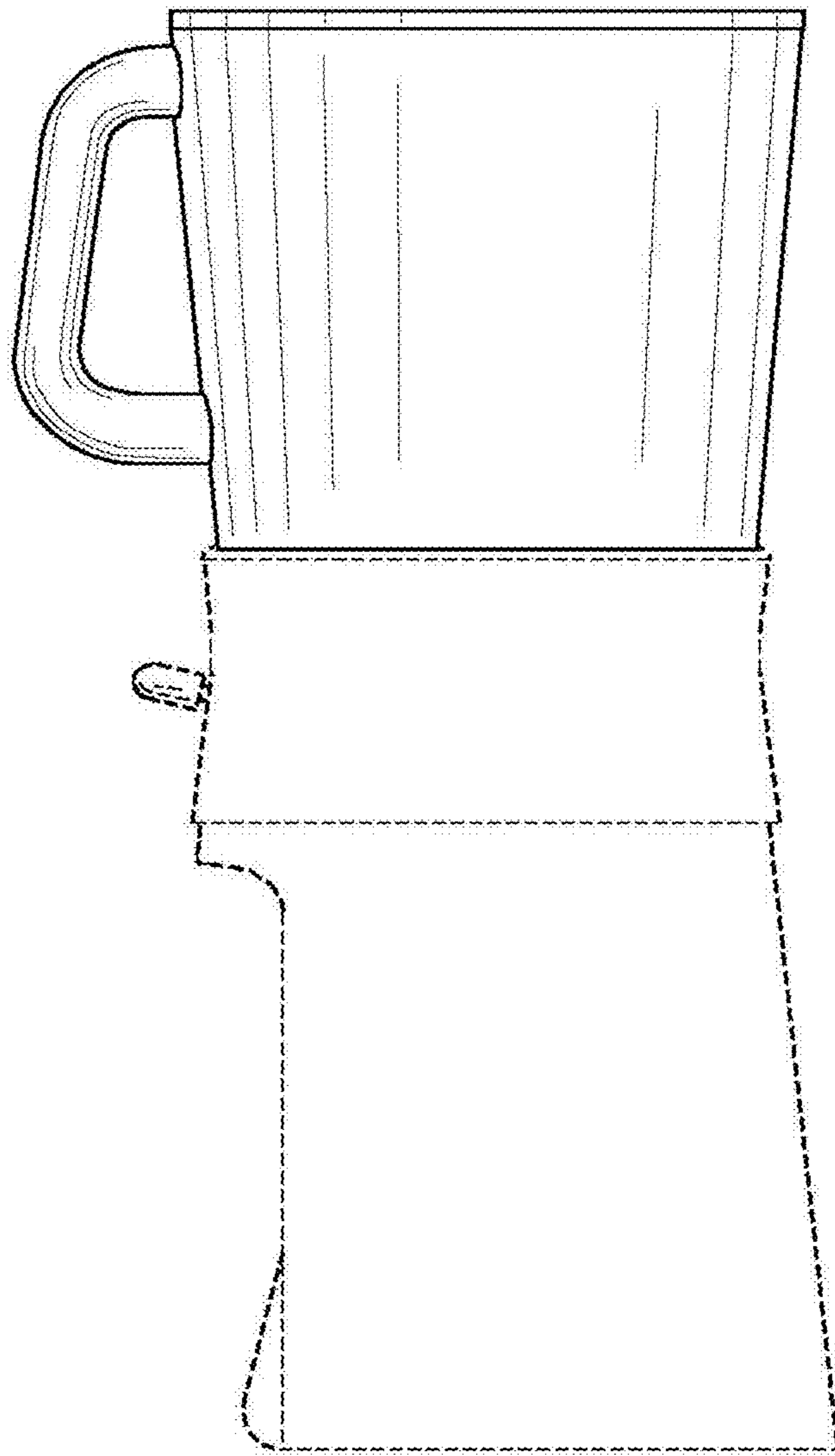


Figure 3

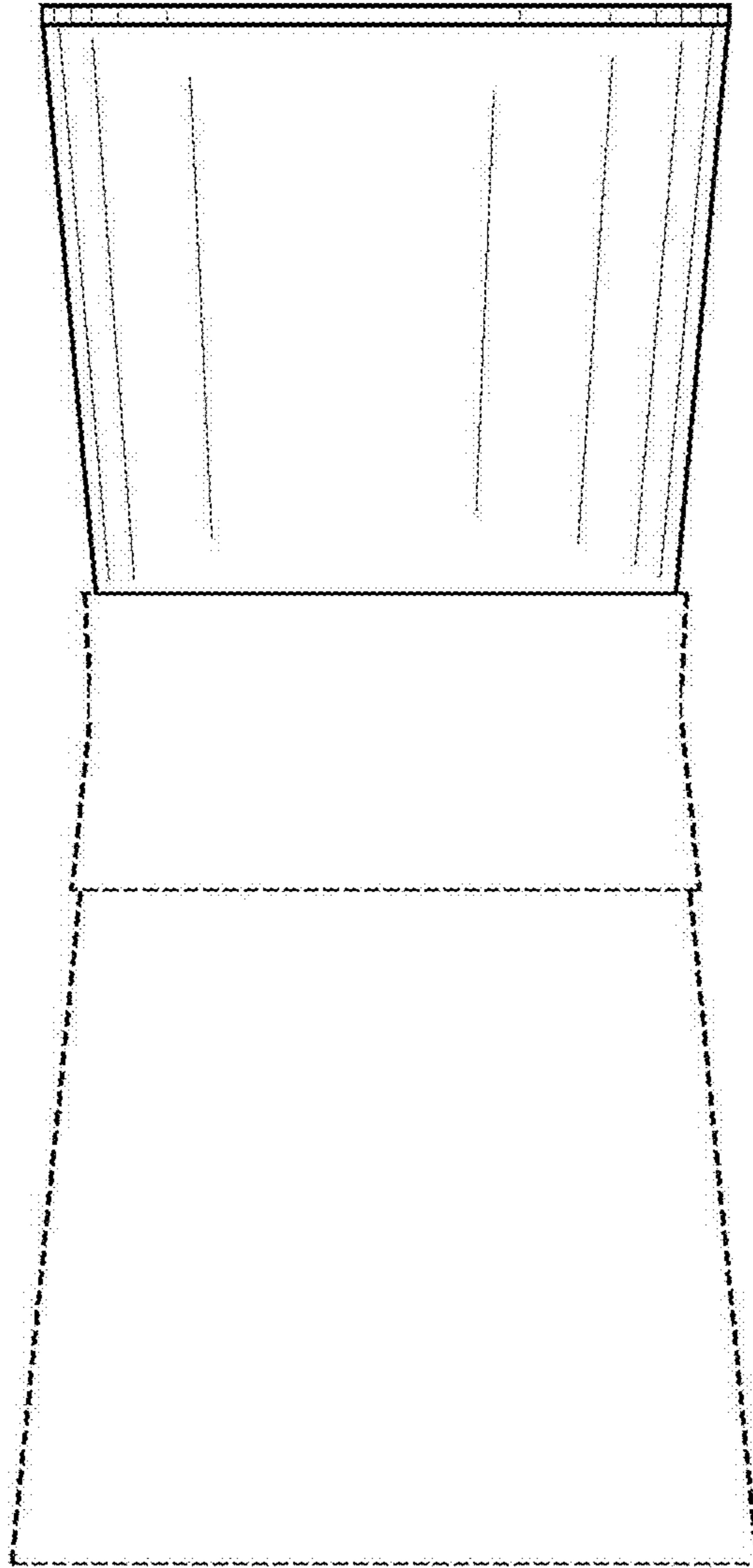


Figure 4

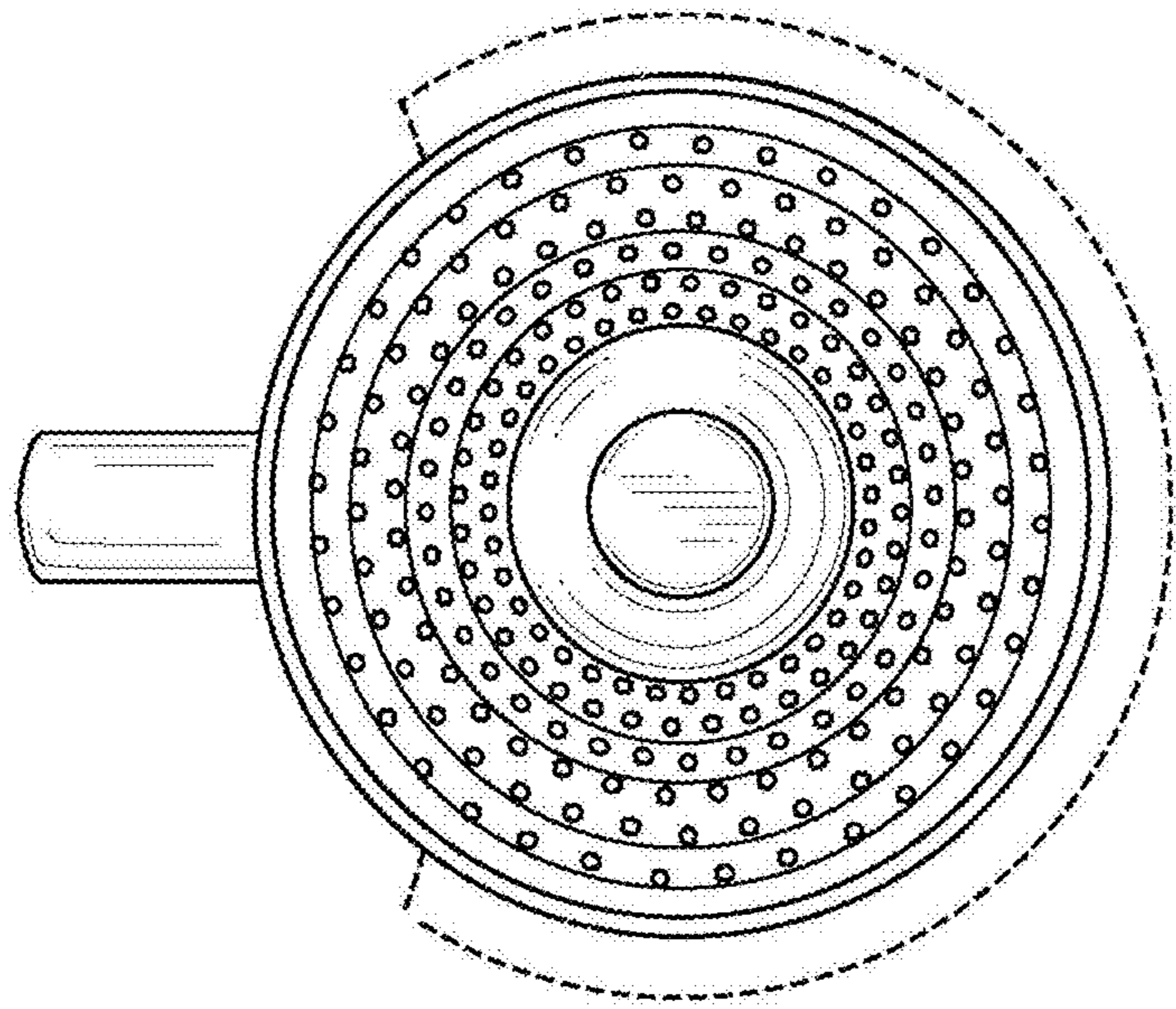


Figure 5

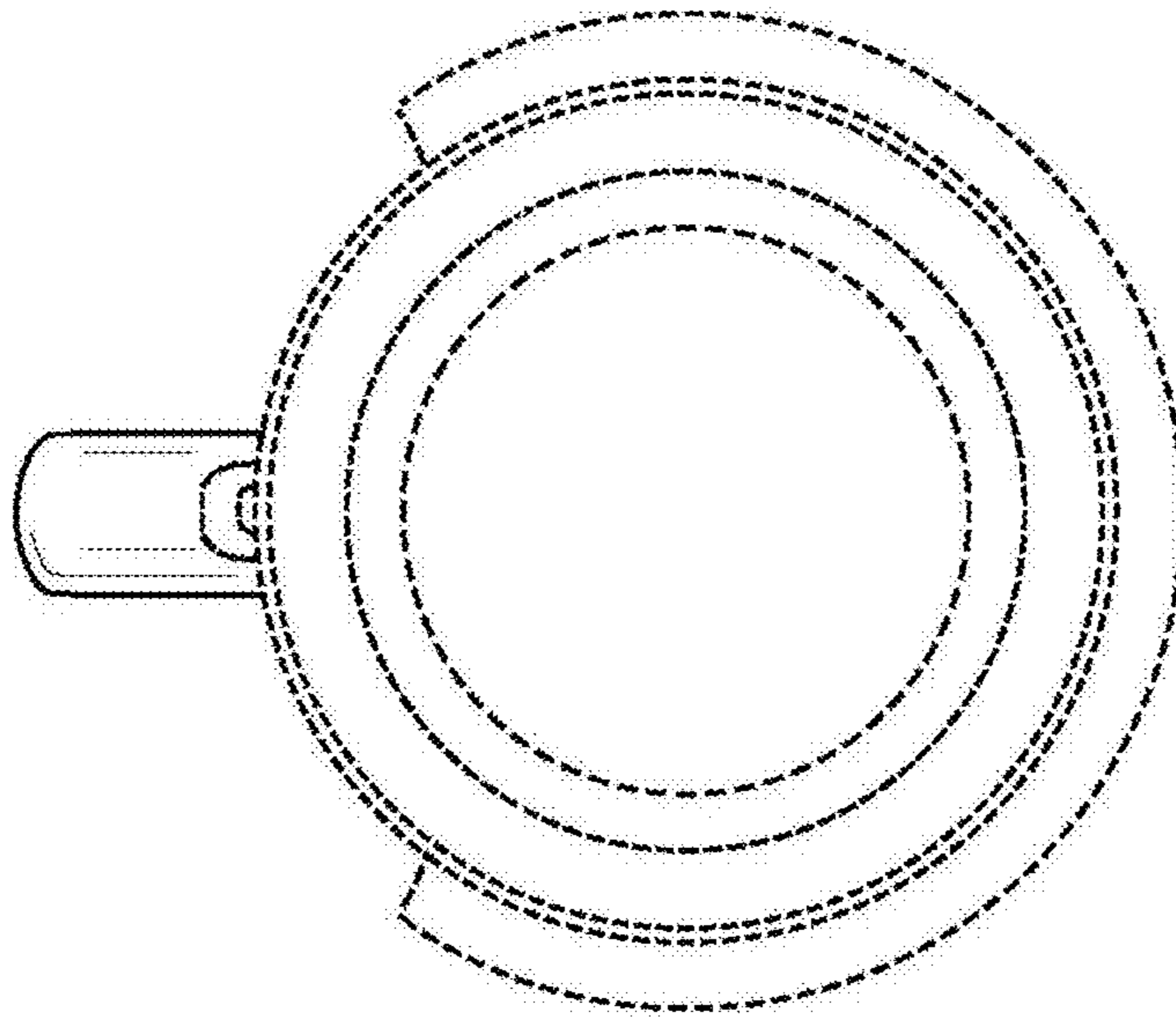


Figure 6

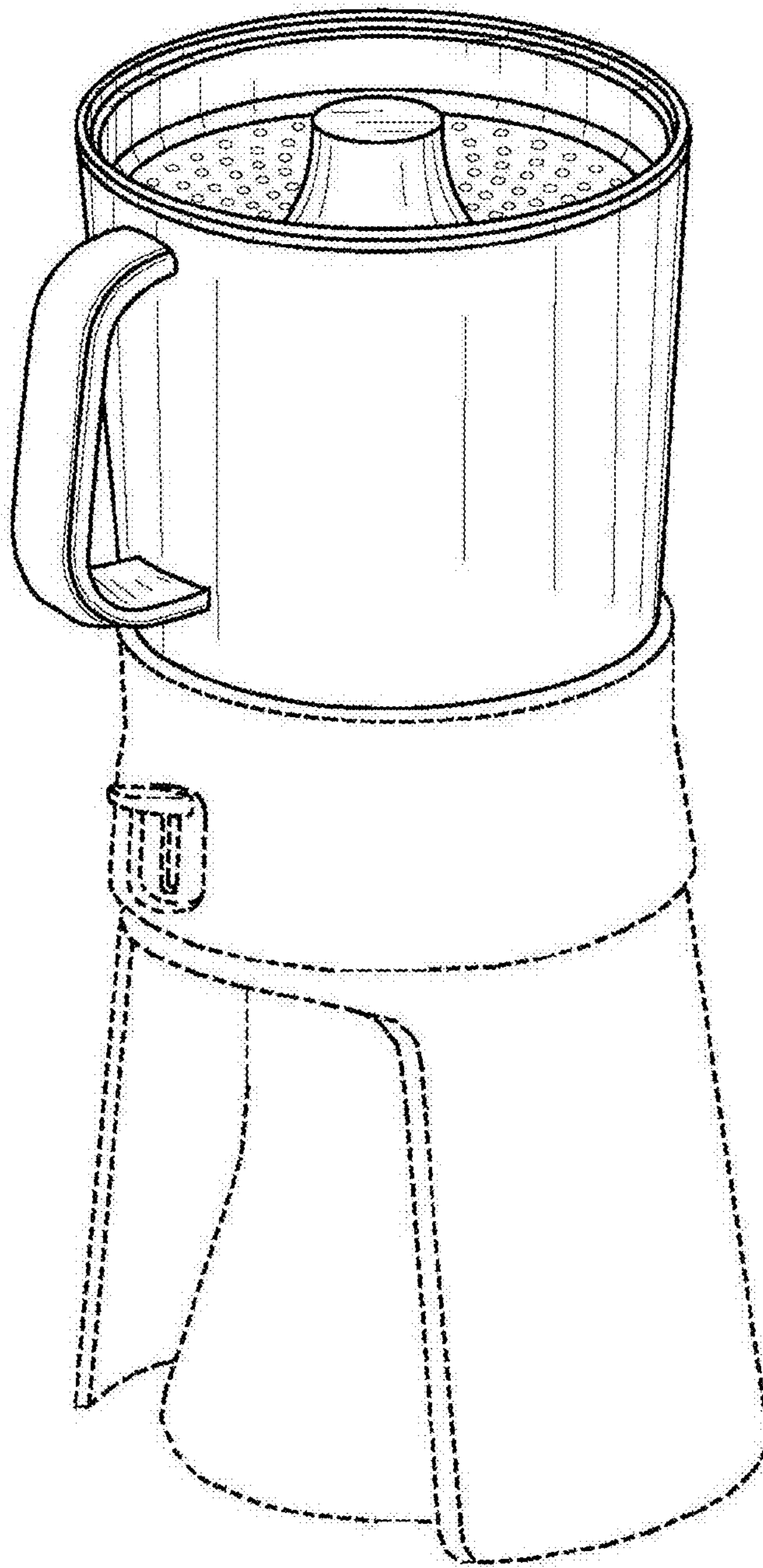


Figure 7