



US00D740066S

(12) **United States Design Patent**
Pitteurs

(10) **Patent No.:** **US D740,066 S**

(45) **Date of Patent:** **** Oct. 6, 2015**

(54) **FOOD APPLIANCE**

(71) Applicant: **H.V.D. BVBA**, Denderhoutem (BE)

(72) Inventor: **Benny Marcelinus Lydie Pitteurs**, De Panne (BE)

(73) Assignee: **H.V.D. BVBA**, Denderhoutem (BE)

(**) Term: **14 Years**

(21) Appl. No.: **29/495,135**

(22) Filed: **Jun. 27, 2014**

(30) **Foreign Application Priority Data**

Dec. 31, 2013 (EM) 002379255-0001

(51) **LOC (10) Cl.** **07-02**

(52) **U.S. Cl.**
USPC **D7/352**

(58) **Field of Classification Search**

USPC D7/323, 328-332, 337, 347, 352-364,
D7/367, 402, 409-411

CPC A21B 5/023; A47J 27/60; A47J 27/62;
A47J 37/04; A47J 37/06; A47J 37/067;
A47J 37/0605; A47J 37/0611; A47J 37/0623;
A47J 37/0629; A47J 37/0676; A47J 2037/06;
A47J 2037/0611; F24C 15/10; F24C 15/102;
H05B 6/02; H05B 6/062

See application file for complete search history.

(56) **References Cited**

U.S. PATENT DOCUMENTS

4,967,650	A *	11/1990	Weigle	99/374
6,167,796	B1 *	1/2001	Wright et al.	99/332
D504,276	S *	4/2005	Vial	D7/352
D522,803	S *	6/2006	Lam	D7/352
D560,424	S *	1/2008	McLemore	D7/355
D580,210	S *	11/2008	Chen	D7/337
D587,061	S *	2/2009	Lavy	D7/352
D600,065	S *	9/2009	Tienor et al.	D7/352
7,775,202	B2 *	8/2010	Chen	126/25 R
D662,760	S *	7/2012	Kennedy et al.	D7/352
D703,992	S *	5/2014	Yang	D7/337
8,915,179	B2 *	12/2014	Chang	99/427
D726,490	S *	4/2015	Spencer et al.	D7/332

* cited by examiner

Primary Examiner — Ricky Pham

(74) *Attorney, Agent, or Firm* — Banner & Witcoff, Ltd.

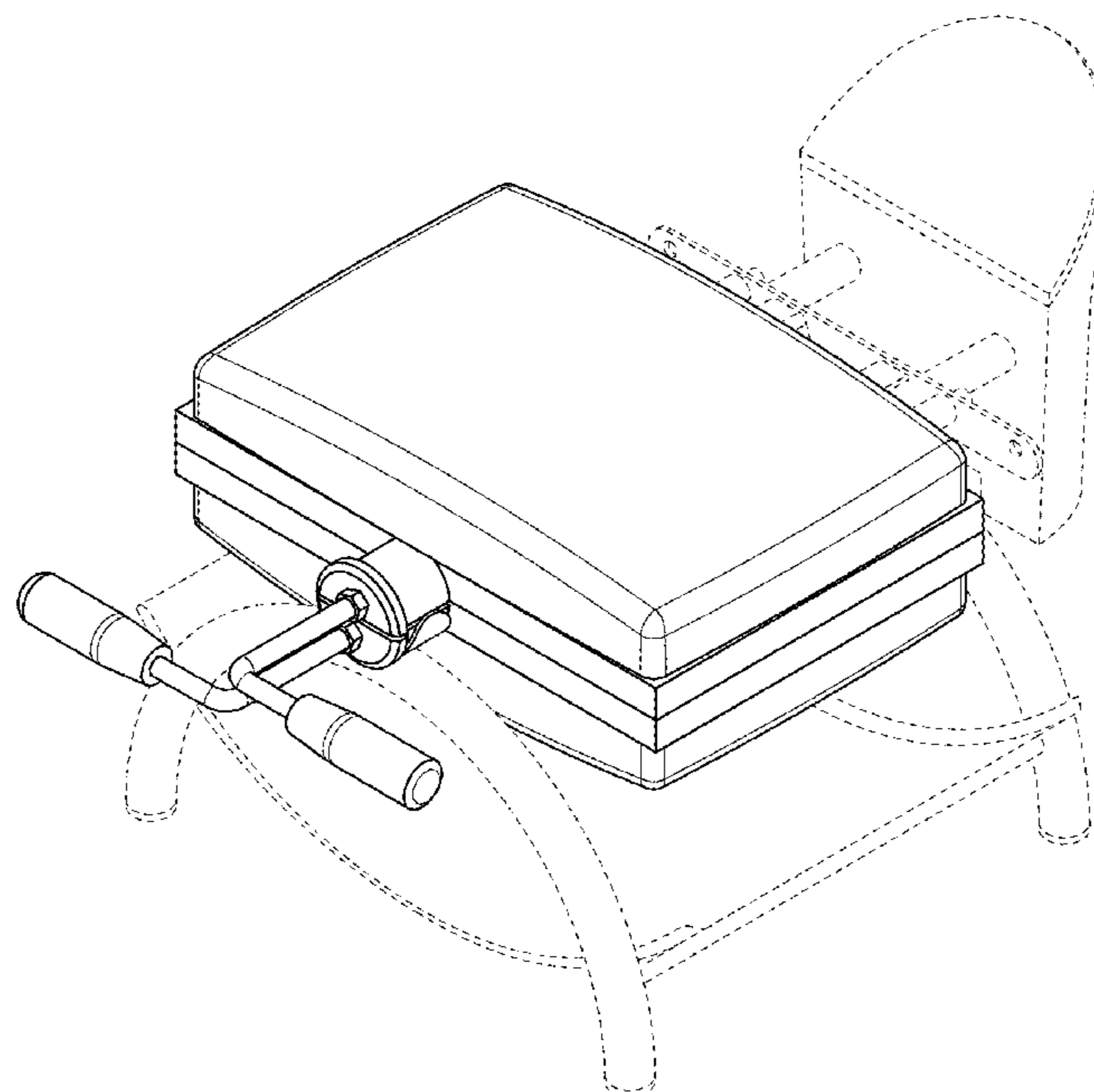
(57) **CLAIM**

The ornamental design for a food appliance, as shown and described.

DESCRIPTION

FIG. 1 is a top, front, right perspective view of a food appliance showing my new design;
FIG. 2 is a front view thereof, wherein unclaimed subject matter is omitted;
FIG. 3 is a left side view thereof; and,
FIG. 4 is a right side view thereof.
The even-length broken lines showing the remainder of the food appliance are for environmental purposes only and form no part of the claimed design.

1 Claim, 2 Drawing Sheets



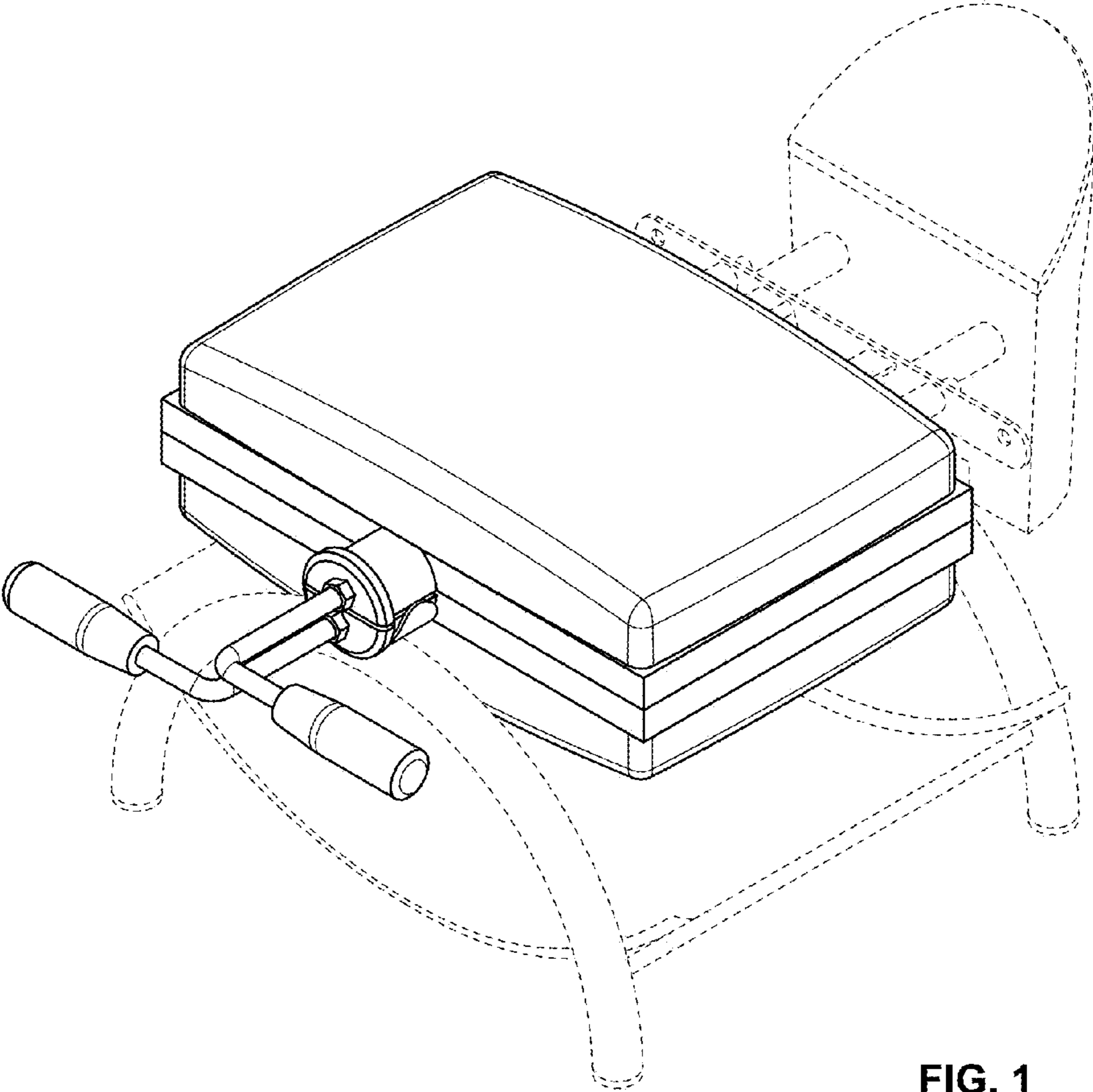


FIG. 1

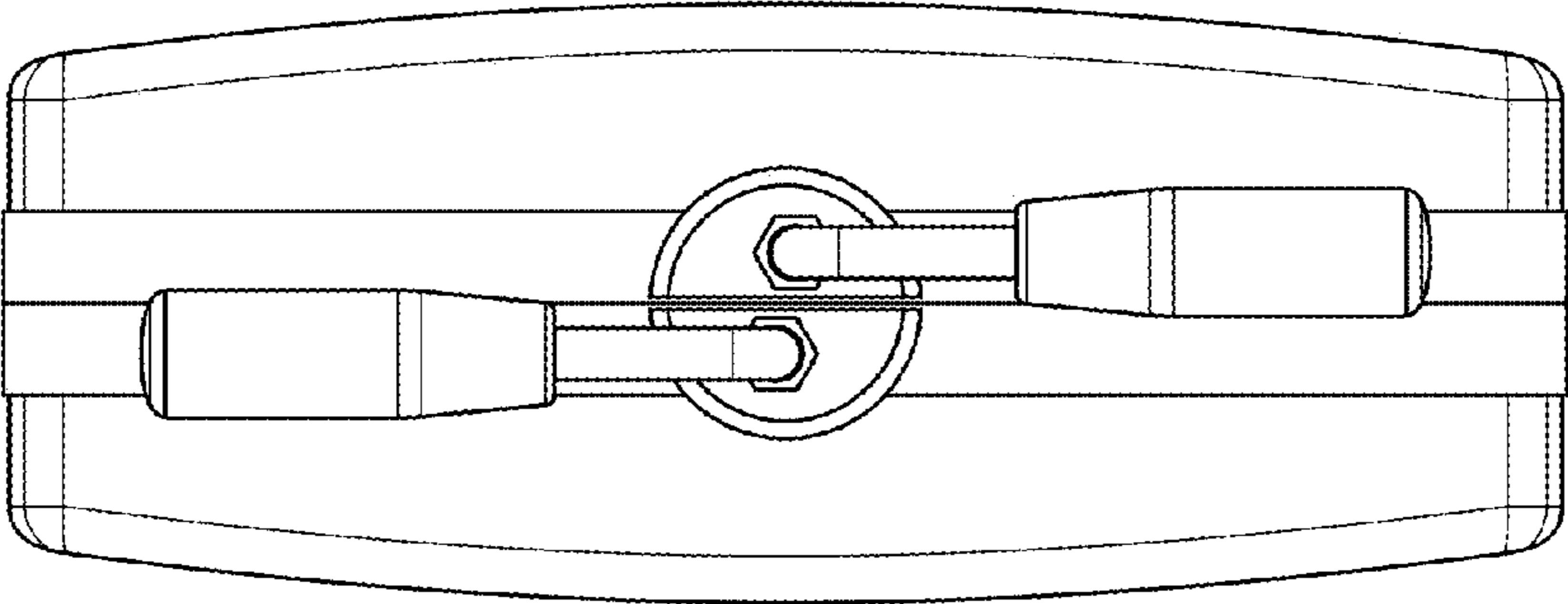


FIG. 2

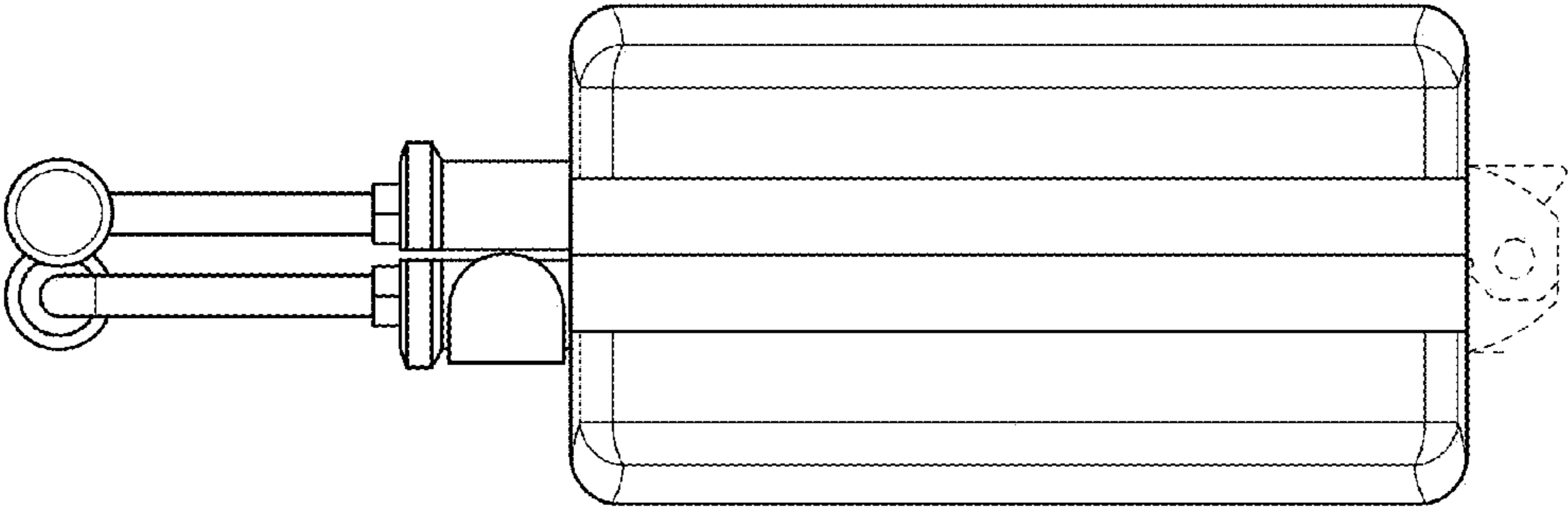


FIG. 3

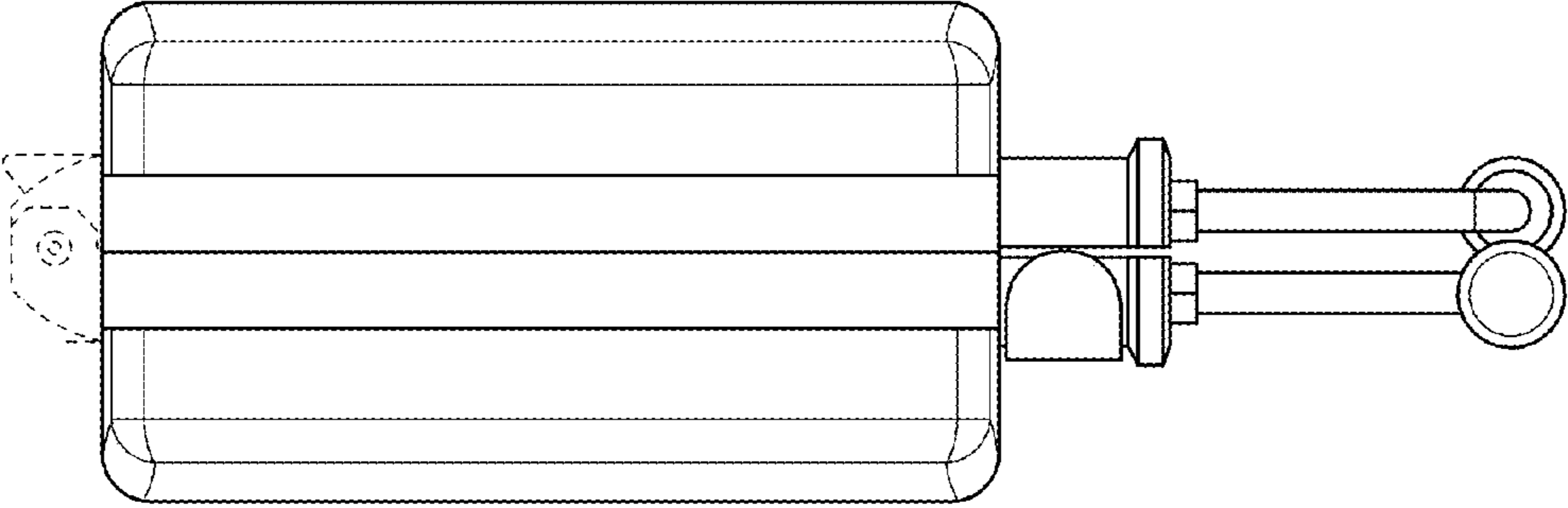


FIG. 4