



US00D740063S

(12) **United States Design Patent**
Katz

(10) **Patent No.:** **US D740,063 S**
(45) **Date of Patent:** **** Oct. 6, 2015**

- (54) **COFFEE MAKER**
- (71) Applicant: **Paul Katz**, Palo Alto, CA (US)
- (72) Inventor: **Paul Katz**, Palo Alto, CA (US)
- (73) Assignee: **HELEN OF TROY LIMITED**, St. Michael (BB)
- (**) Term: **14 Years**
- (21) Appl. No.: **29/495,252**
- (22) Filed: **Jun. 28, 2014**
- (51) **LOC (10) Cl.** **07-01**
- (52) **U.S. Cl.**
USPC **D7/309; D7/311**
- (58) **Field of Classification Search**
USPC D7/300, 313, 306-311, 305, 397, 399,
D7/400, 401; 99/276, 280, 292, 299;
435/287.1; D23/207; 426/433
CPC A47J 31/40; A47J 31/05; A47J 31/46;
C12G 3/02; C12G 3/08
See application file for complete search history.

D241,219 S *	8/1976	Martin	D7/309
D250,195 S *	11/1978	Salmons et al.	D7/311
D255,120 S *	5/1980	Bardeau	D7/309
D267,032 S *	11/1982	Lafontaine	D23/207
D286,848 S *	11/1986	Levin	D7/309
D289,726 S *	5/1987	Greutert	D7/400
D376,949 S *	12/1996	Barriault et al.	D7/306
D385,747 S *	11/1997	Inoue	D7/311
D600,493 S *	9/2009	Pino et al.	D7/309
D639,598 S *	6/2011	Eckholm et al.	D7/309
D647,750 S *	11/2011	Duncan et al.	D7/309
D690,992 S *	10/2013	Ball	D7/399
D694,566 S *	12/2013	Harthoorn et al.	D7/309
8,739,687 B1 *	6/2014	Tacklind et al.	99/280
D726,479 S *	4/2015	Andreesen	D7/306
D728,294 S *	5/2015	Huang	D7/305

* cited by examiner

Primary Examiner — Marianne Pandozzi

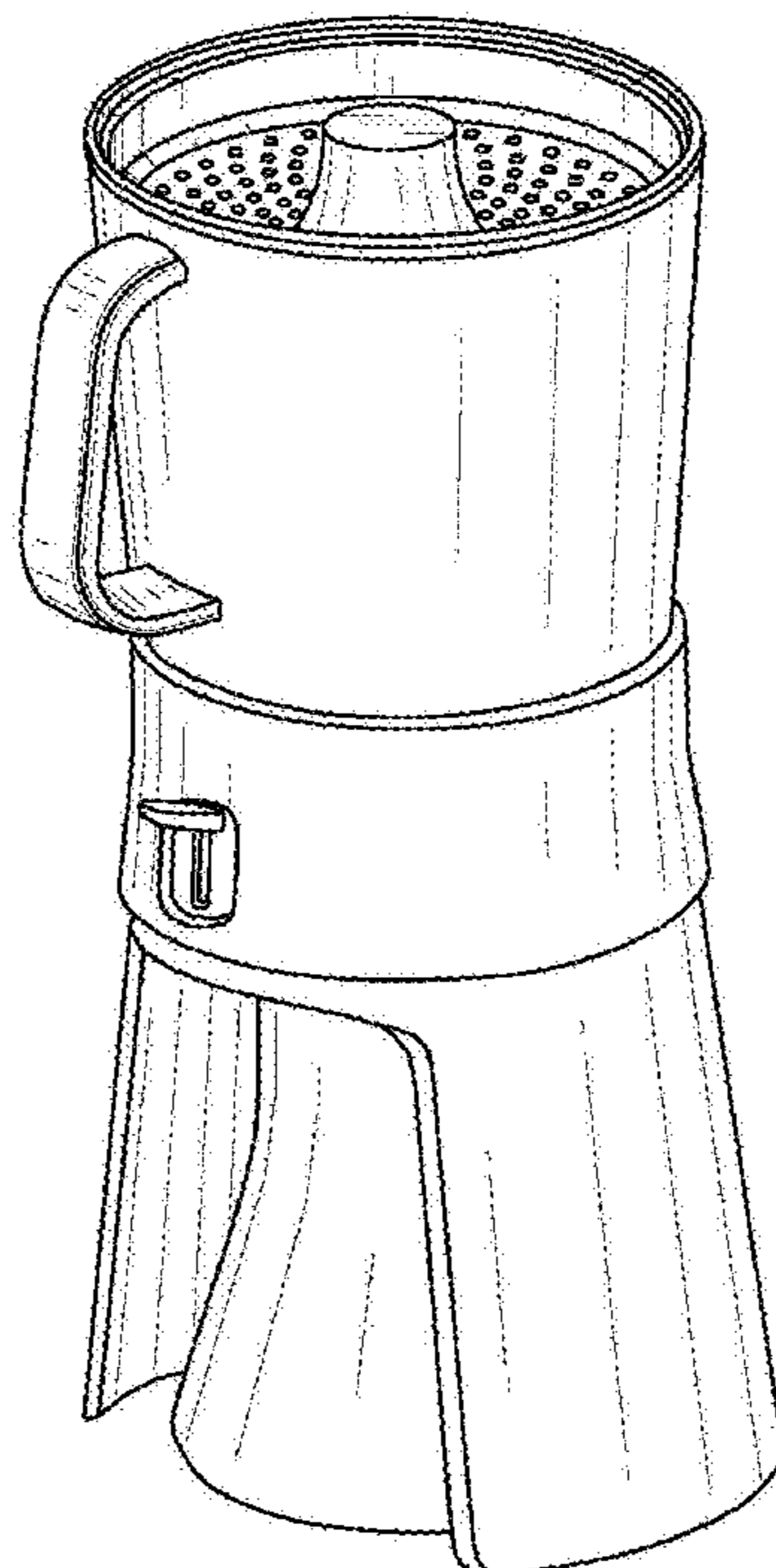
(57) **CLAIM**
The ornamental design for a coffee maker, as shown, and described.

DESCRIPTION

FIG. 1 is a front view of the coffee maker;
FIG. 2 is a left side view of the coffee maker;
FIG. 3 is a right side view of the coffee maker;
FIG. 4 is a rear view of the coffee maker;
FIG. 5 is a top view of the coffee maker;
FIG. 6 is a bottom view of the coffee maker; and,
FIG. 7 is a perspective view of the coffee maker.

1 Claim, 7 Drawing Sheets

- (56) **References Cited**
U.S. PATENT DOCUMENTS
3,178,557 A * 4/1965 Umann 392/445
D228,053 S * 8/1973 Knox D7/309
D232,410 S * 8/1974 Rakocy D7/309
D234,285 S * 2/1975 Wickenberg D7/309
D239,074 S * 3/1976 Rakocy D7/309



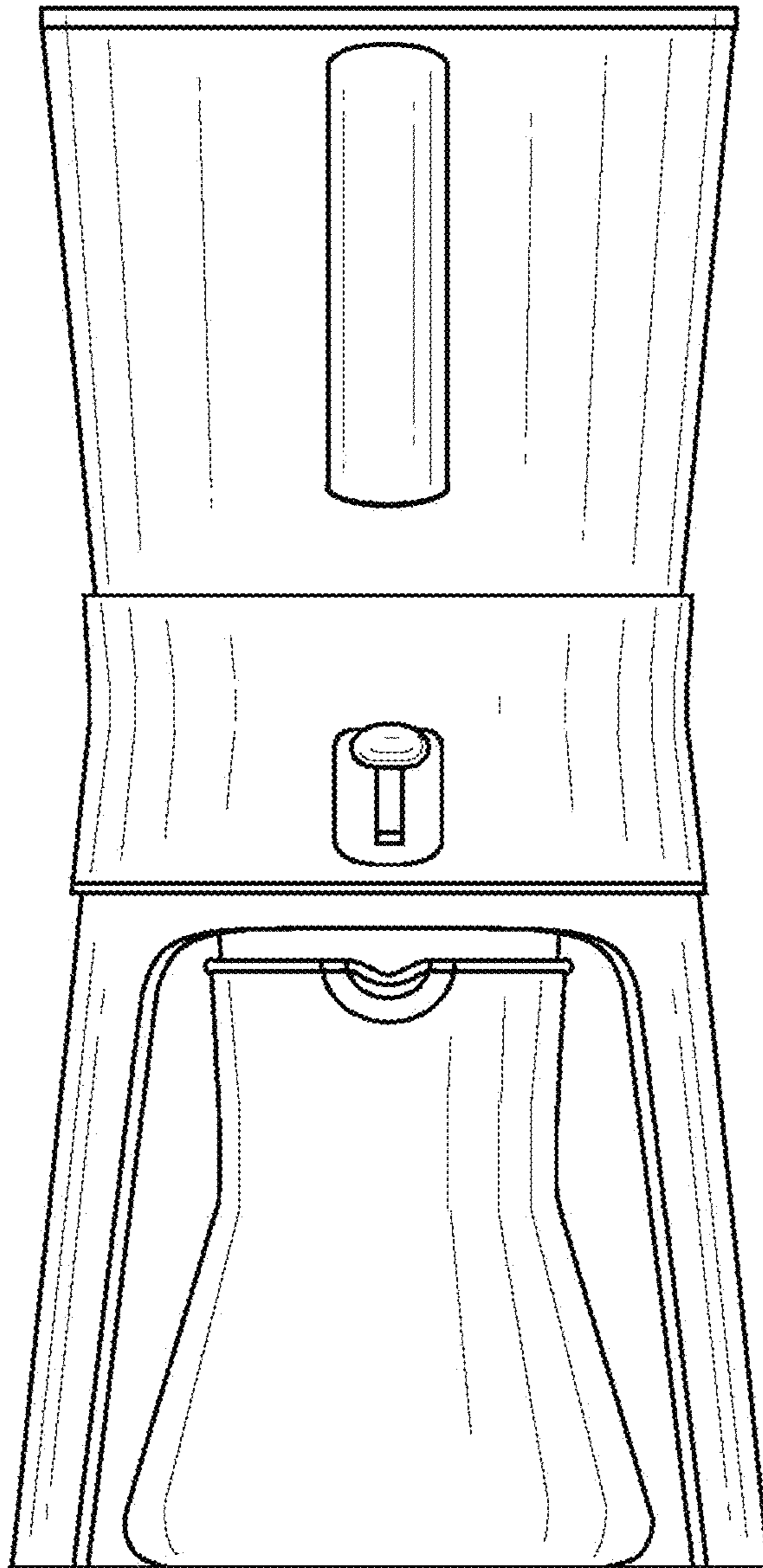


Figure 1

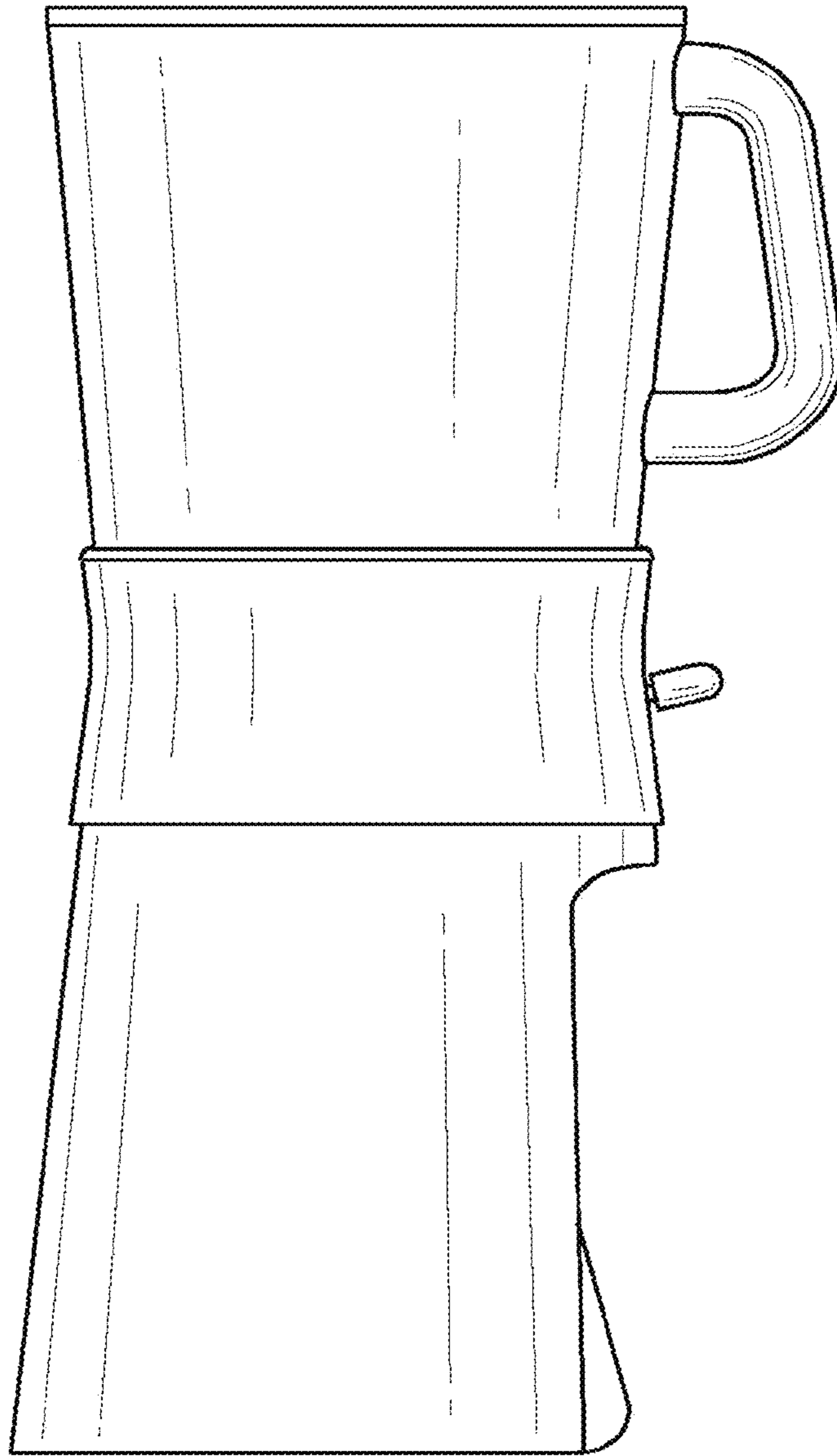


Figure 2

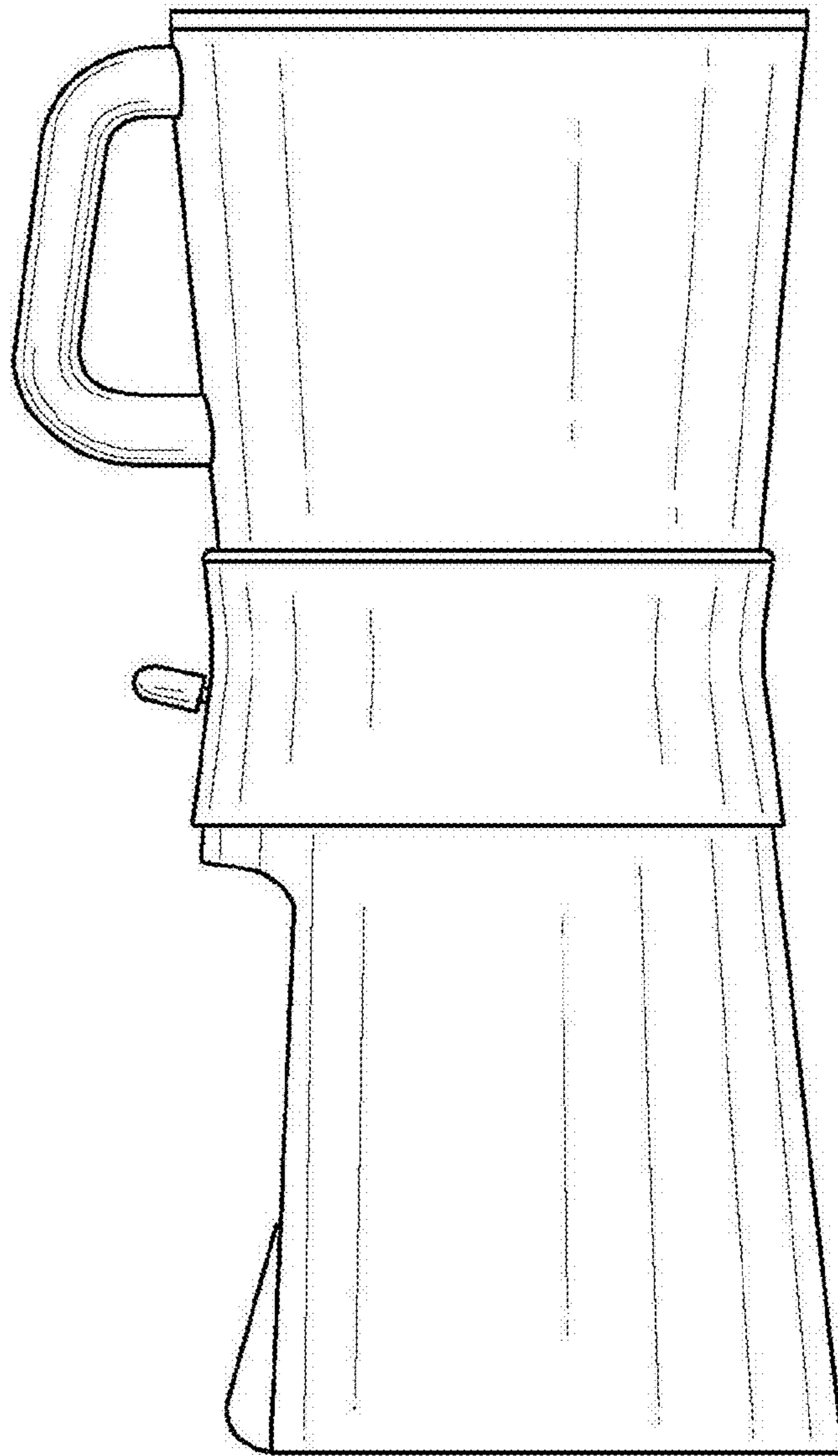


Figure 3

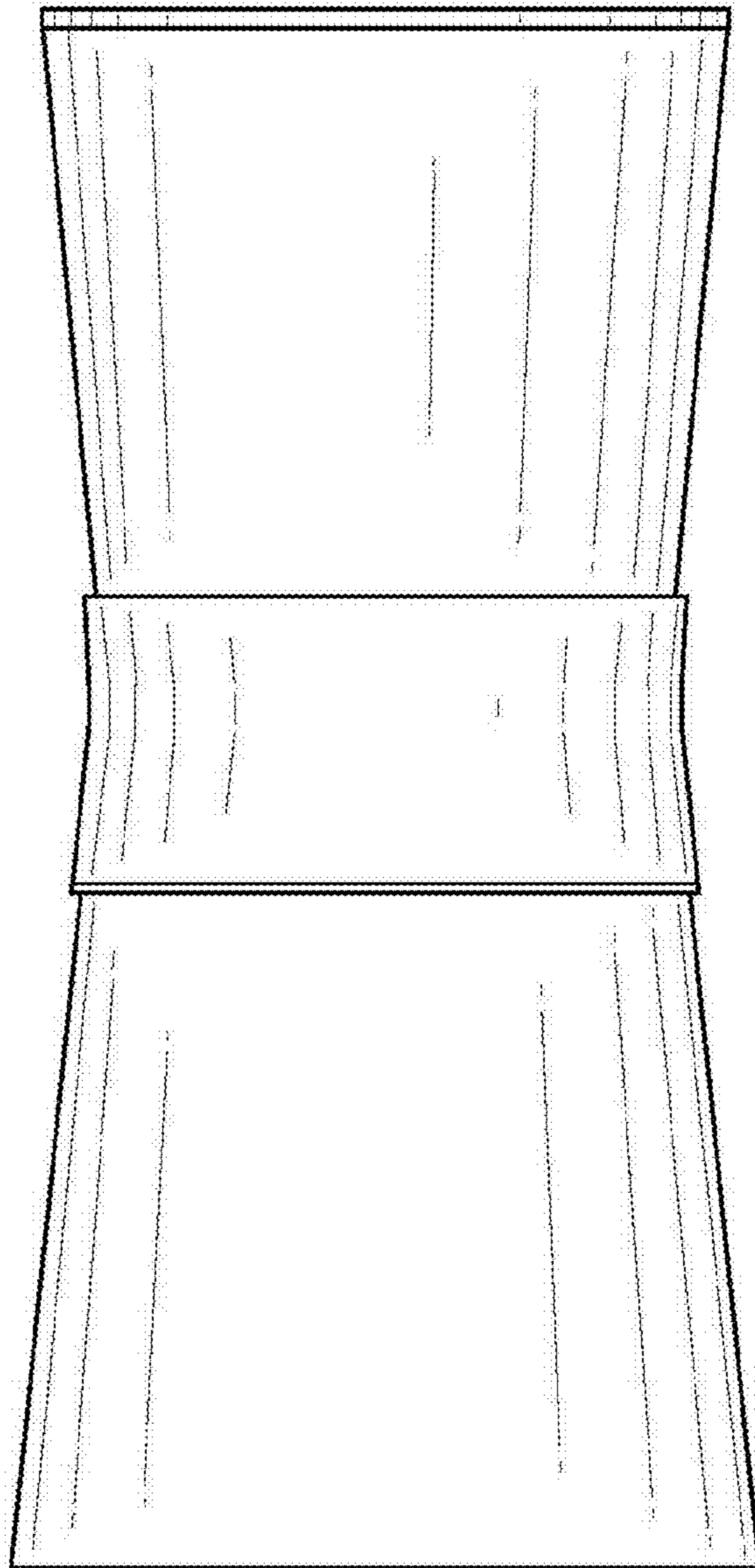


Figure 4

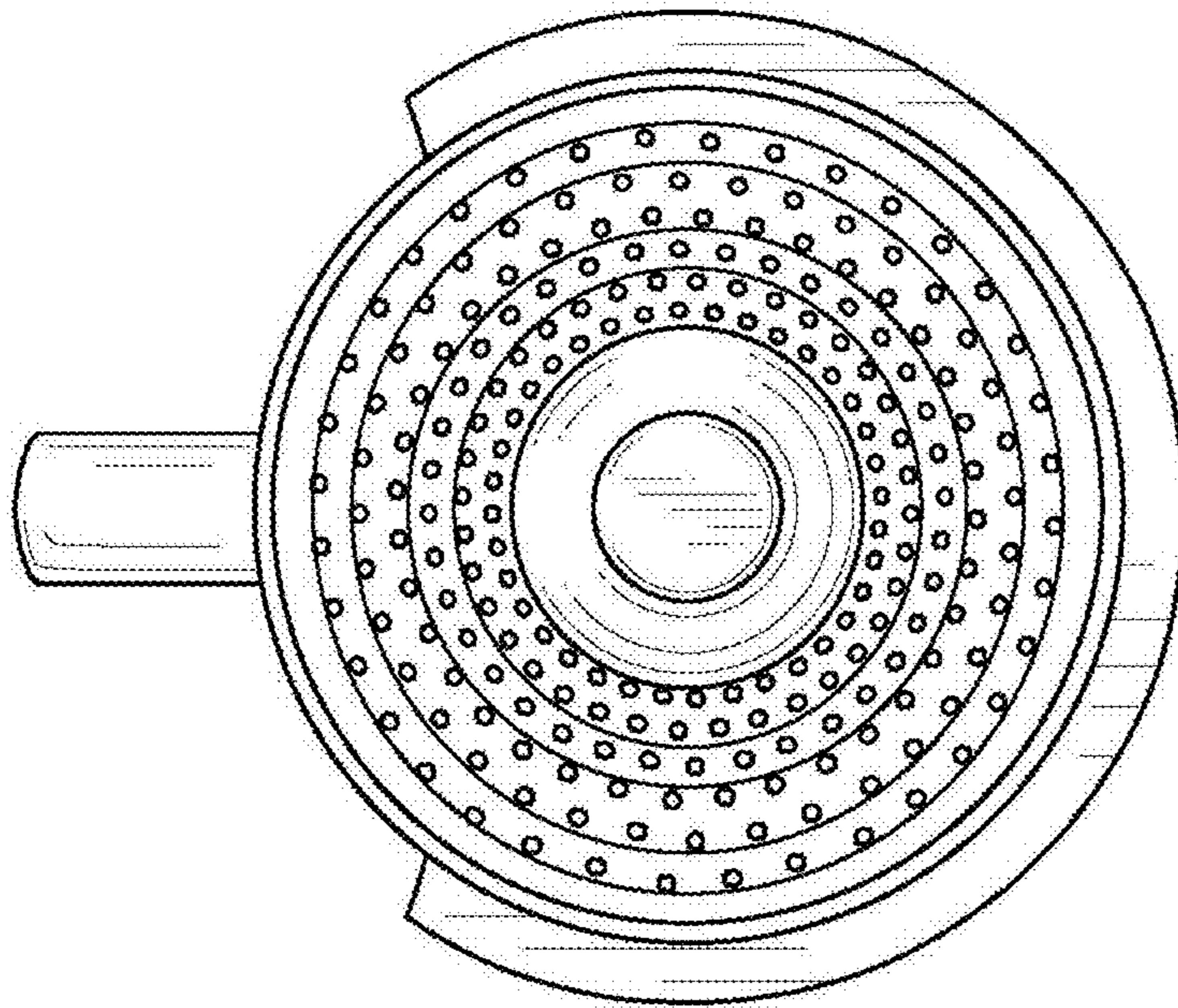


Figure 5

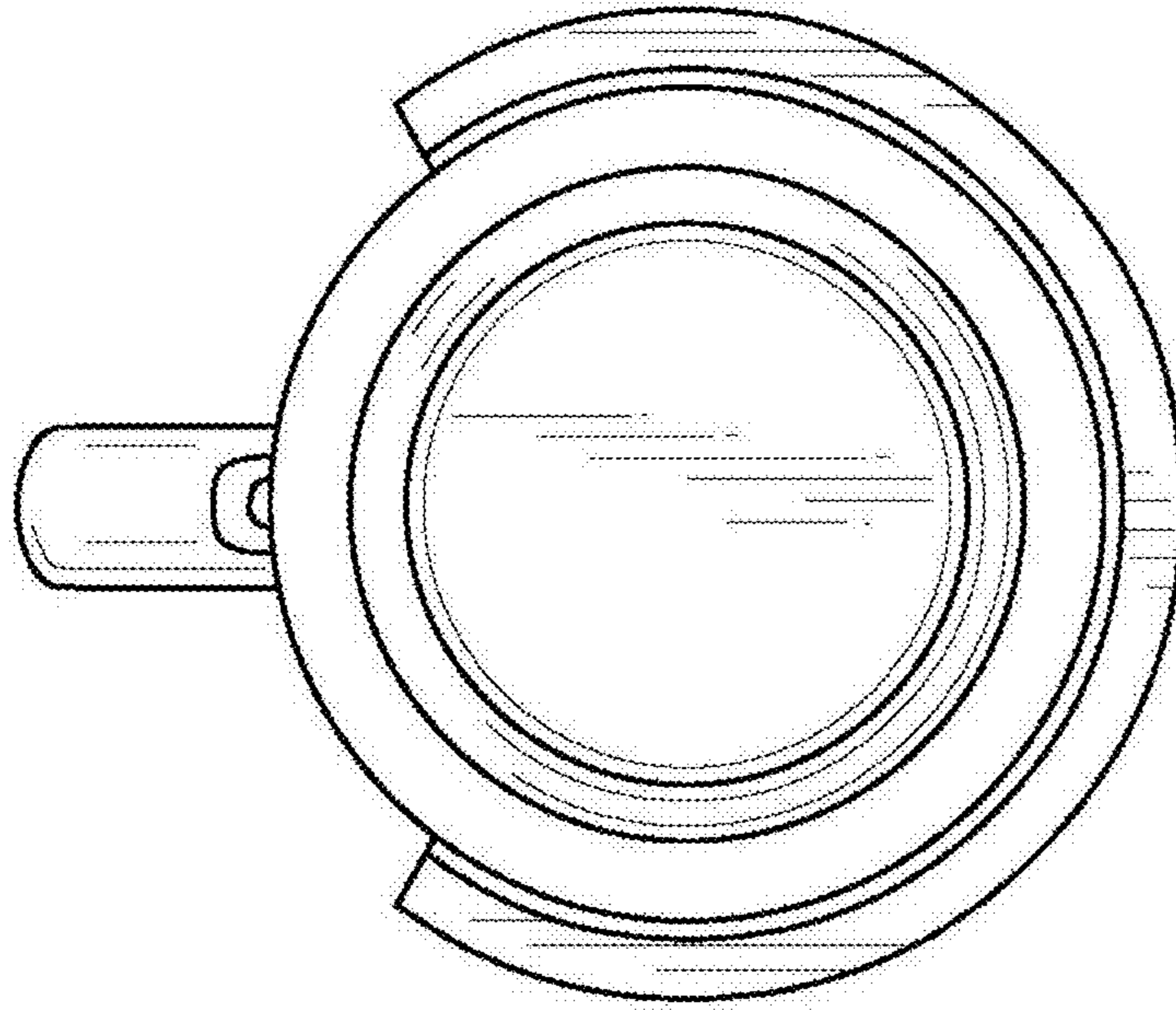


Figure 6

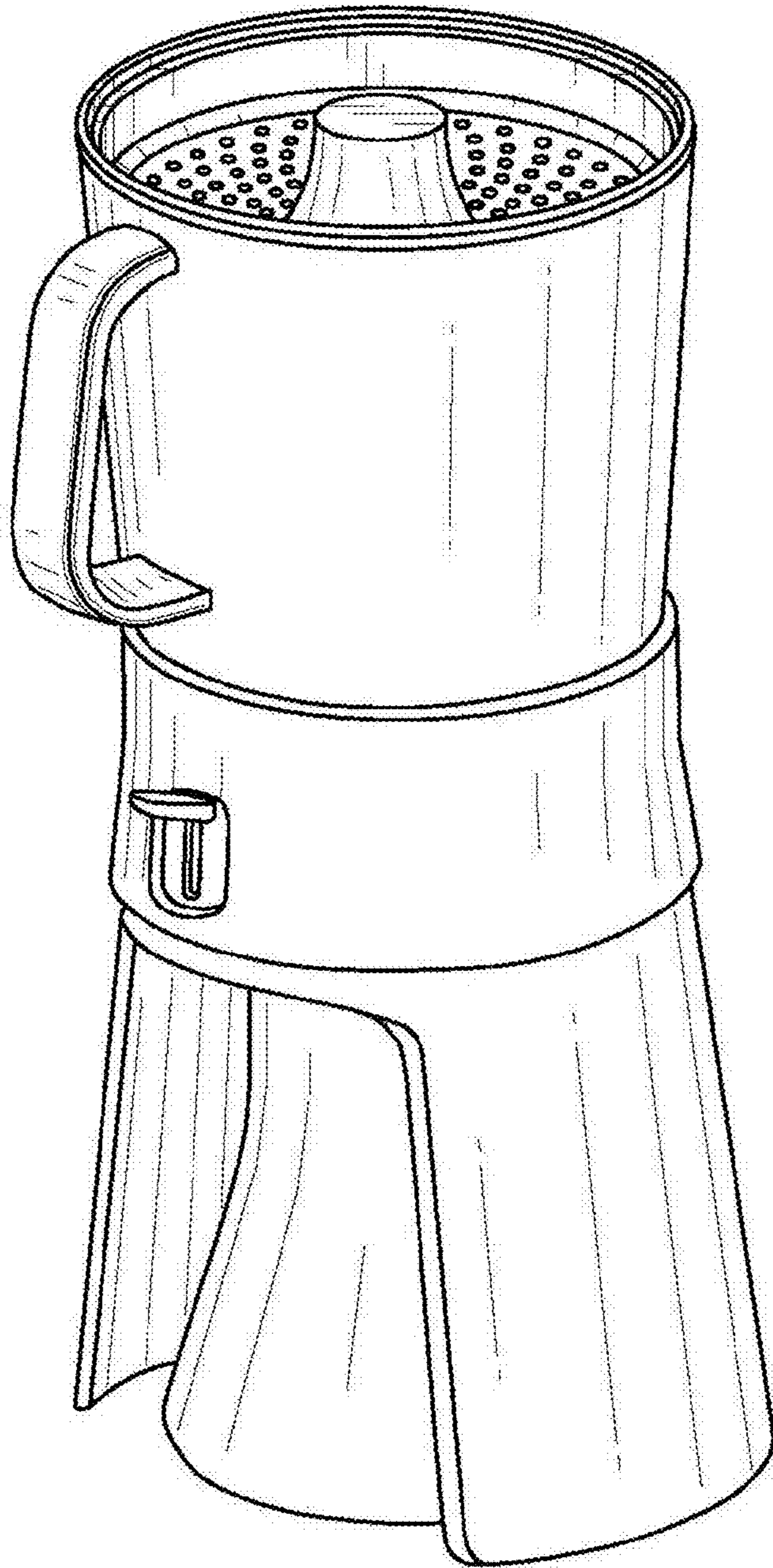


Figure 7