



US00D740062S

(12) **United States Design Patent**
Burroughs

(10) **Patent No.:** **US D740,062 S**

(45) **Date of Patent:** **** Oct. 6, 2015**

(54) **MARTINI BOTTLE**

(76) **Inventor:** **Dillon Burroughs**, Beverly Hills, CA
(US)

(**) **Term:** **14 Years**

(21) **Appl. No.:** **29/415,583**

(22) **Filed:** **Mar. 12, 2012**

(51) **LOC (10) Cl.** **07-01**

(52) **U.S. Cl.**
USPC **D7/300; D7/510; D7/537**

(58) **Field of Classification Search**
USPC D7/300, 300.1, 524, 537, 507, 510, 511,
D7/392, 397; 99/227.1; 215/6; 220/375,
220/568, 508, 703; 222/189.07
CPC A47J 43/27; A47J 43/00; F25D 2331/81
See application file for complete search history.

(56) **References Cited**

U.S. PATENT DOCUMENTS

1,751,315	A *	3/1930	Fox	220/568
D128,936	S *	8/1941	Foley	D3/203.2
2,258,524	A *	10/1941	Vigurs	210/467
4,132,225	A *	1/1979	Whattam	600/576
D269,659	S *	7/1983	Holloway	D7/507
D348,802	S *	7/1994	Miller, III	D7/510
D355,602	S *	2/1995	Buettner et al.	D9/505
D378,975	S *	4/1997	Reid	D7/510
D407,947	S *	4/1999	Barth	D7/522
D429,603	S *	8/2000	Lipson	D7/507
7,225,920	B2 *	6/2007	Hoeffkes et al.	206/222
D550,083	S *	9/2007	Etheridge	D9/503
D563,724	S *	3/2008	Bodum	D7/524

7,614,512	B2 *	11/2009	Nader	215/6
7,614,614	B2 *	11/2009	Sabadicci et al.	261/76
D604,984	S *	12/2009	Kalamaras	D7/300.1
D609,972	S *	2/2010	Reeser et al.	D7/536
D613,168	S *	4/2010	Rowland et al.	D9/504
D627,185	S *	11/2010	Burroughs et al.	D7/300
D634,581	S *	3/2011	Burroughs et al.	D7/507

* cited by examiner

Primary Examiner — Ian Simmons

Assistant Examiner — Rashida C McCoy

(74) *Attorney, Agent, or Firm* — DeLio, Peterson & Curcio, LLC; Peter W. Peterson

(57) **CLAIM**

The ornamental design for martini bottle, as shown and described.

DESCRIPTION

FIG. 1 is a perspective view of a martini bottle design of this invention.

FIG. 2 is a top plan view of the martini bottle of this invention shown in FIG. 1.

FIG. 3 is a bottom plan view of the martini bottle of this invention shown in FIG. 1 shown in FIG. 1.

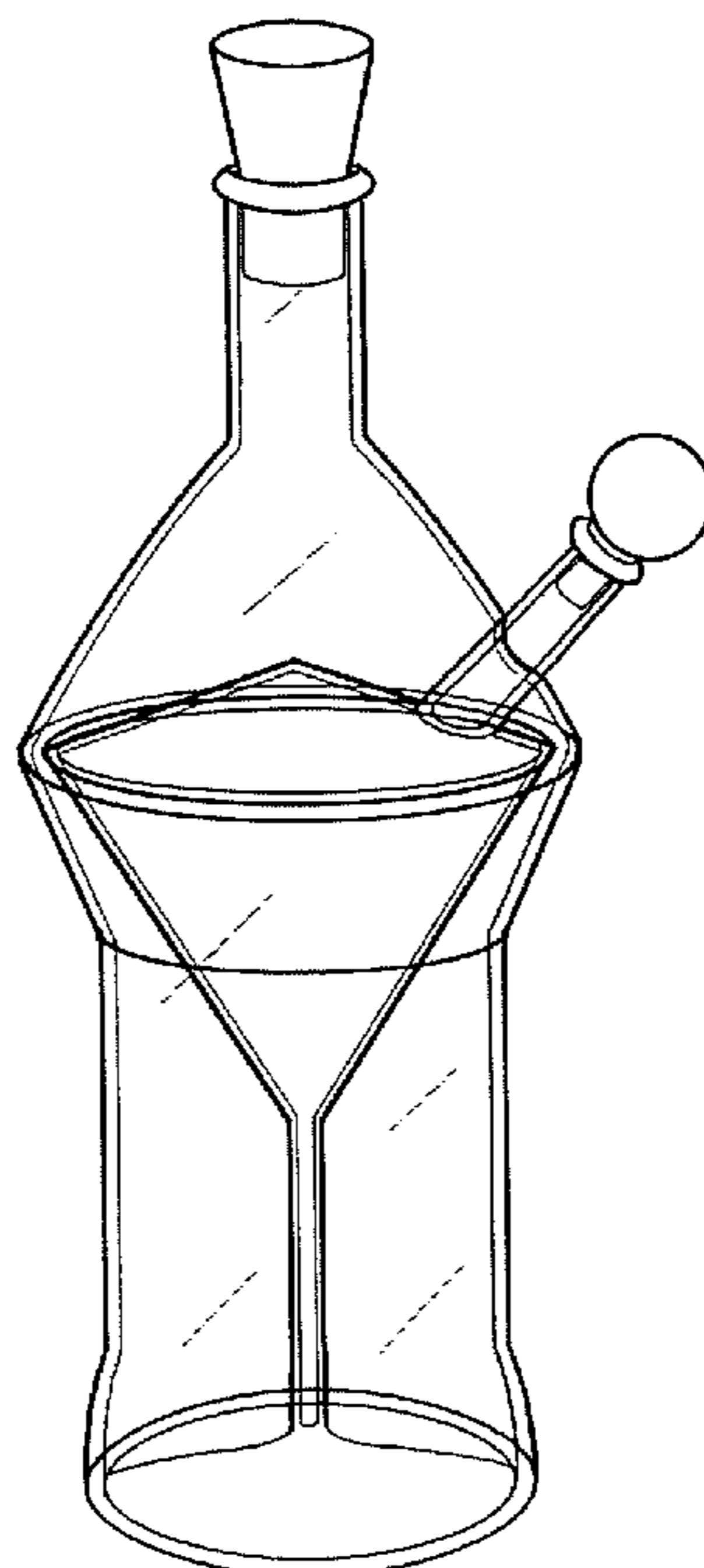
FIG. 4 is a front elevational view of the martini bottle of this invention shown in FIG. 1.

FIG. 5 is a rear elevational view of the martini bottle of this invention shown in FIG. 1.

FIG. 6 is a left side elevational view of the martini bottle of this invention shown in FIG. 1; and,

FIG. 7 is a right side elevational view of the martini bottle of this invention shown in FIG. 1.

1 Claim, 2 Drawing Sheets



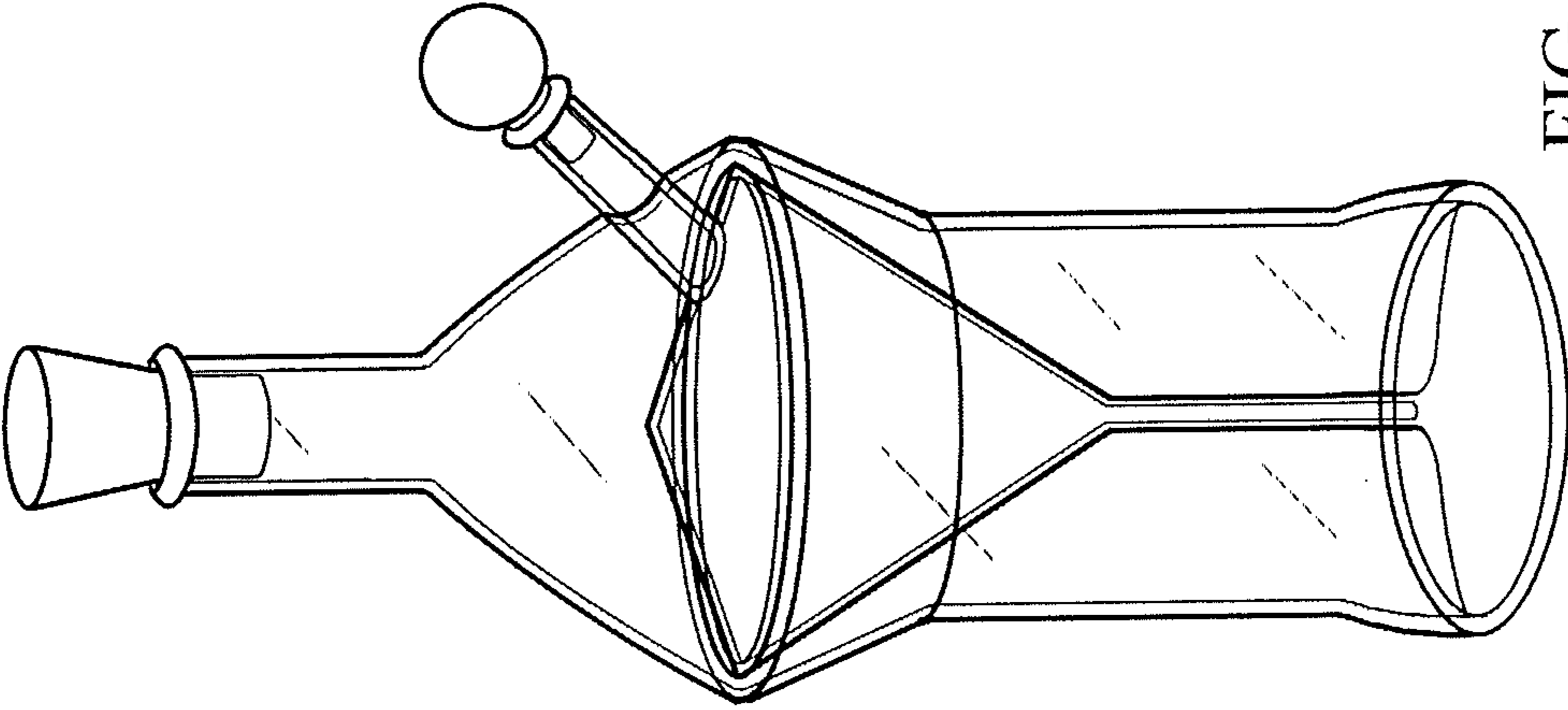


FIG. 1

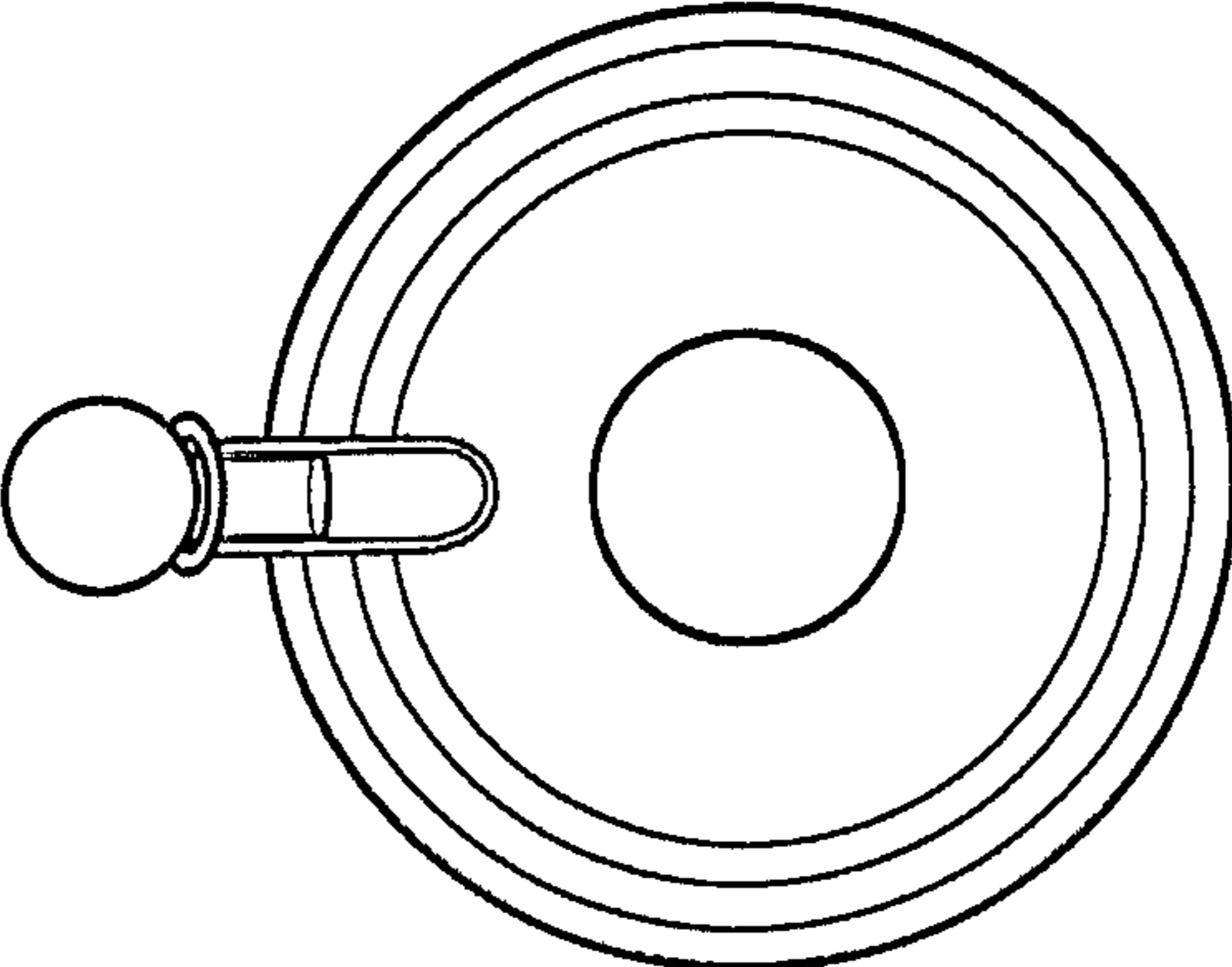


FIG. 2

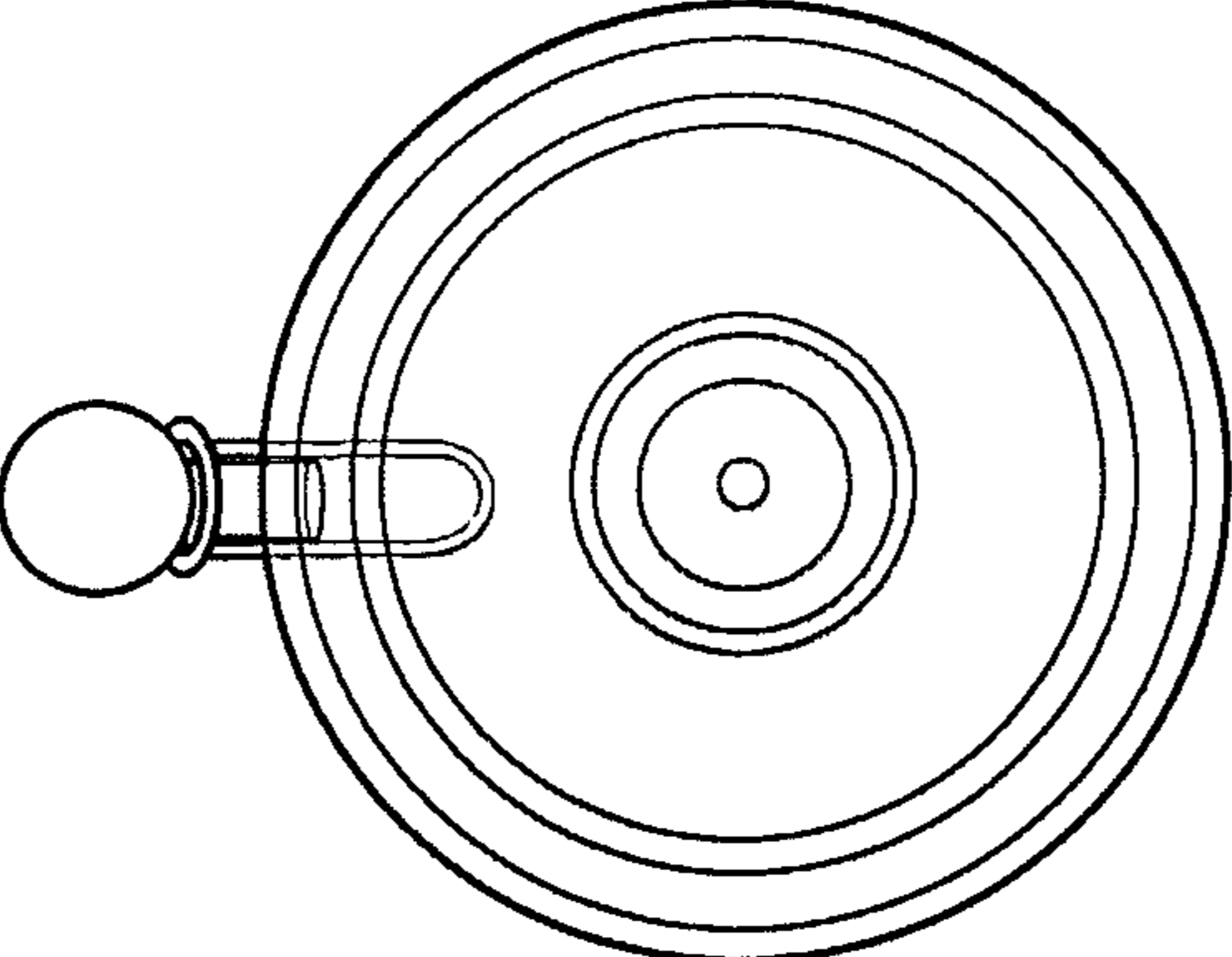


FIG. 3

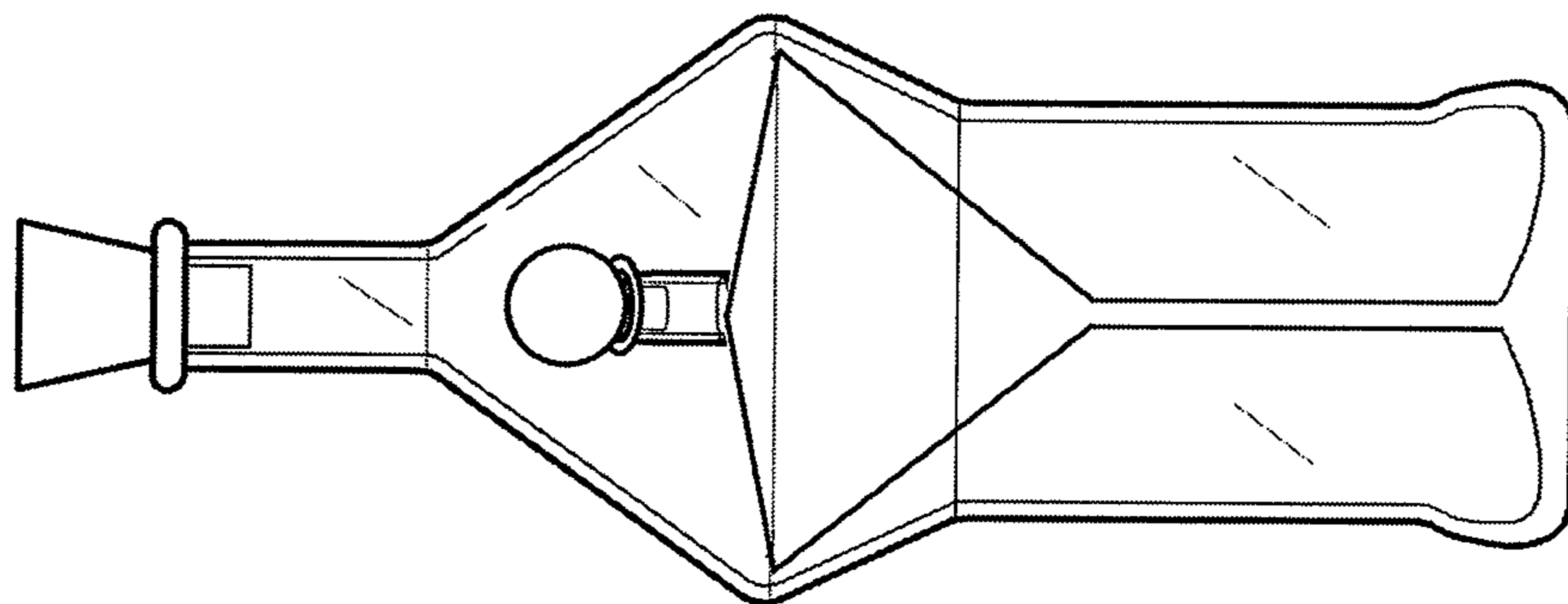


FIG. 4

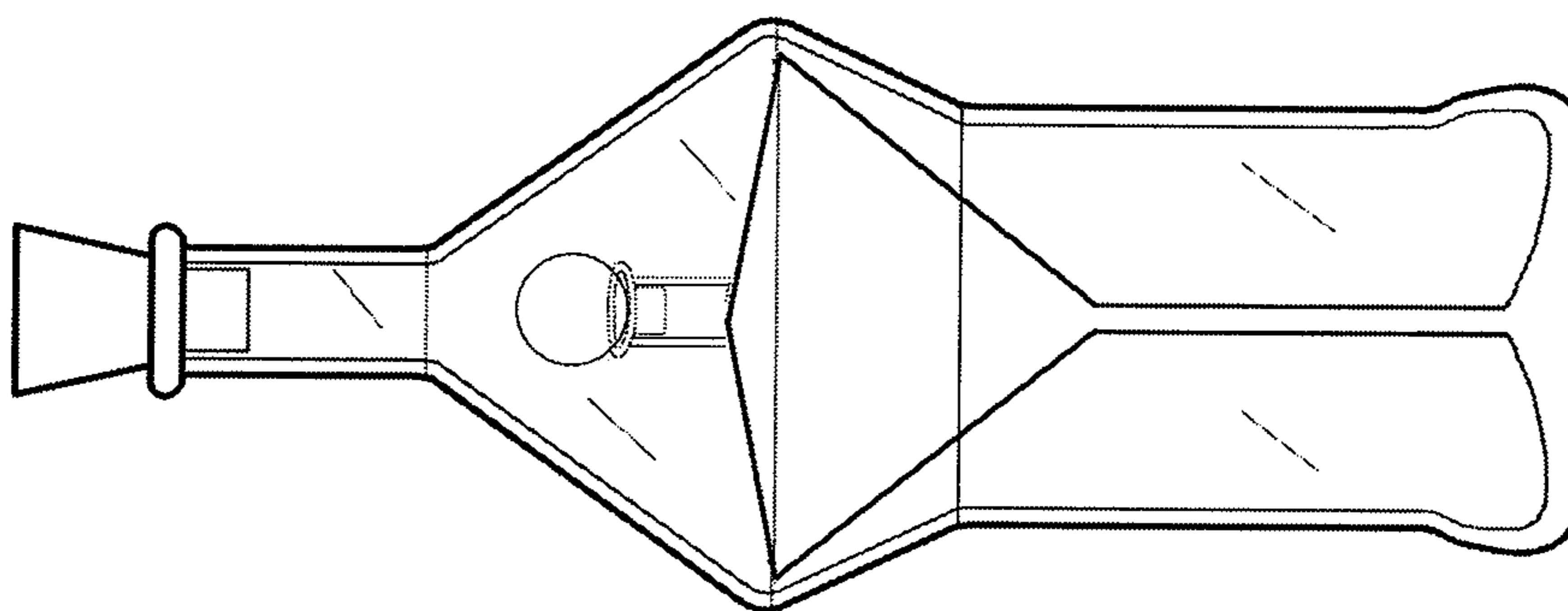


FIG. 5

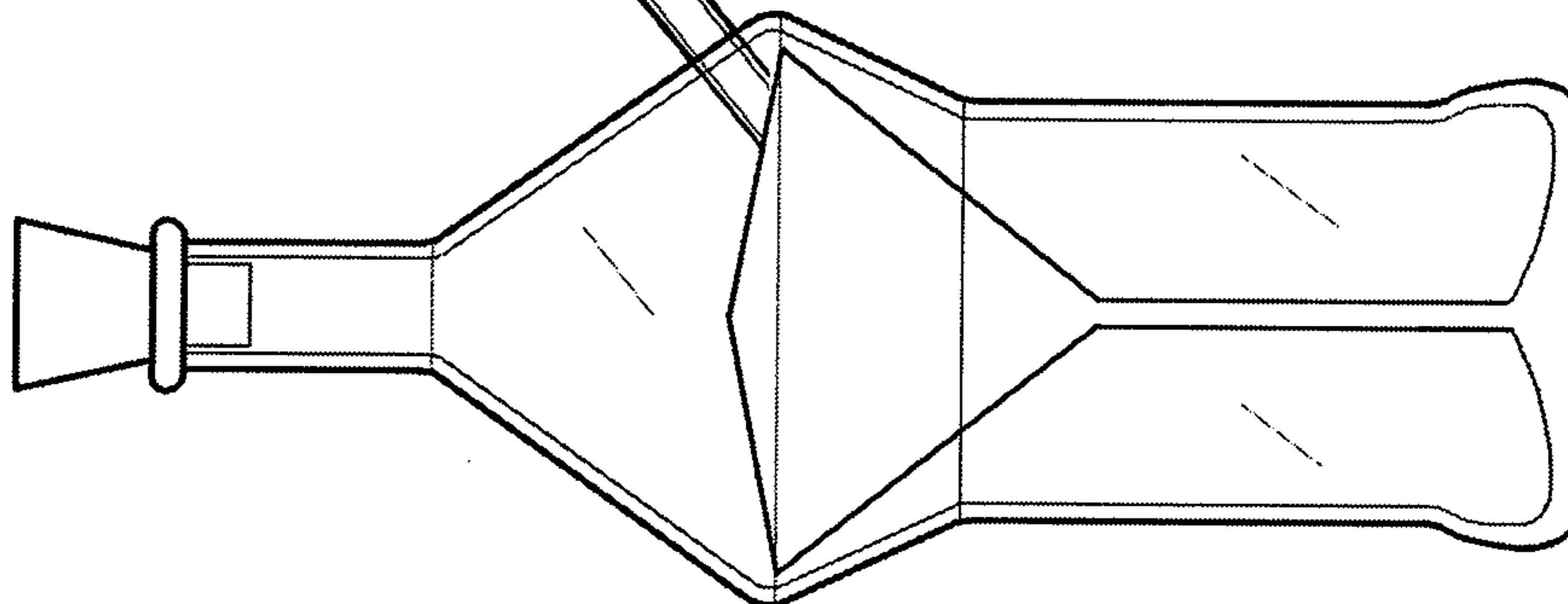


FIG. 6

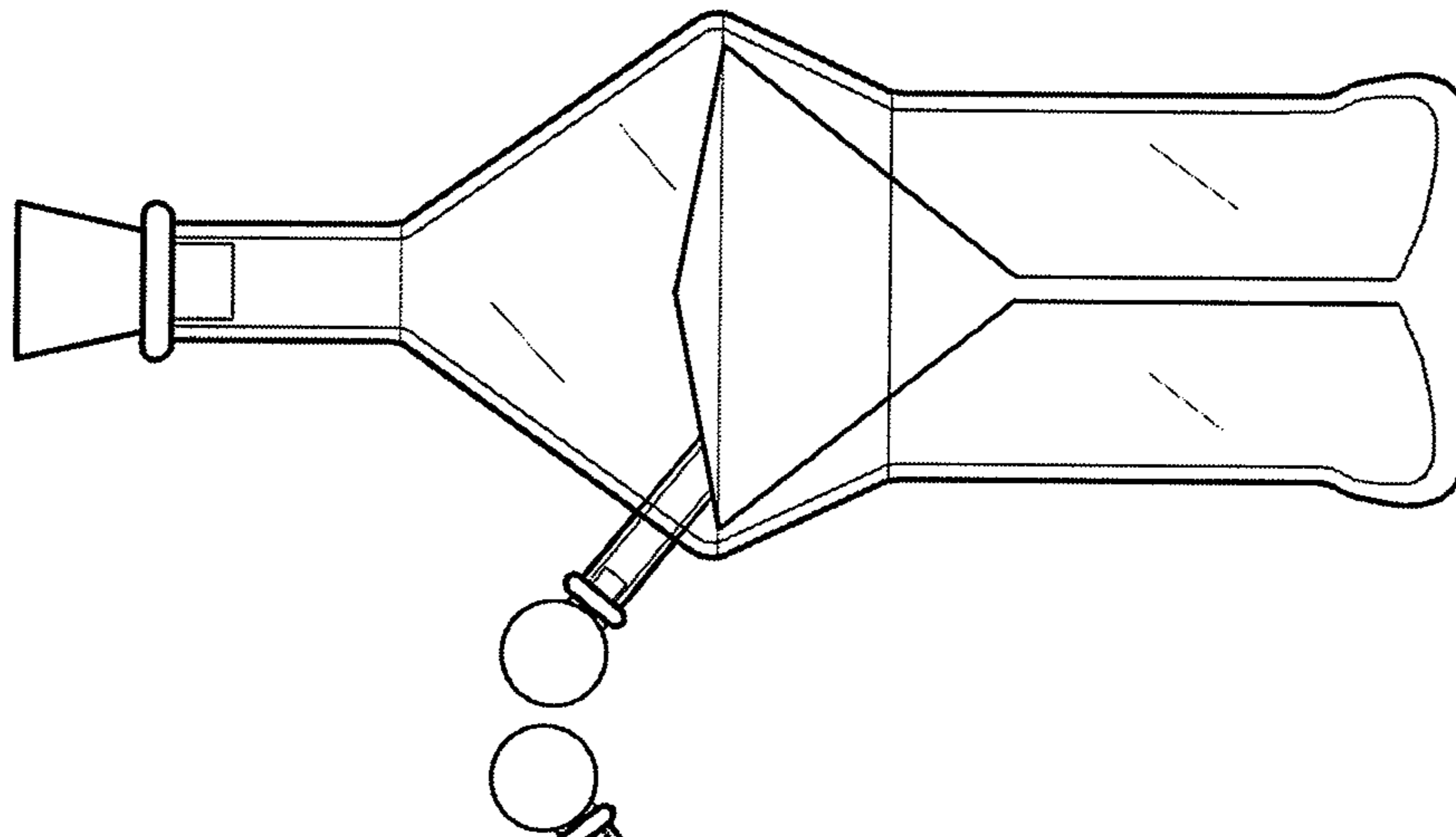


FIG. 7