



US00D740060S

(12) **United States Design Patent**
Akana et al.

(10) **Patent No.:** **US D740,060 S**

(45) **Date of Patent:** **** Oct. 6, 2015**

(54) **DISPLAY STAND**

CPC A47F 5/04; A47F 7/0057; A47F 7/022
See application file for complete search history.

(71) Applicant: **Apple Inc.**, Cupertino, CA (US)

(72) Inventors: **Jody Akana**, San Francisco, CA (US);
Bartley K. Andre, Palo Alto, CA (US);
Shota Aoyagi, San Francisco, CA (US);
Anthony Michael Ashcroft, San Francisco, CA (US);
Jeremy Bataillou, San Francisco, CA (US);
Daniel J. Coster, San Francisco, CA (US);
Daniele De Iuliis, San Francisco, CA (US);
M. Evans Hankey, San Francisco, CA (US);
Julian Hoenig, San Francisco, CA (US);
Richard P. Howarth, San Francisco, CA (US);
Jonathan P. Ive, San Francisco, CA (US);
Duncan Robert Kerr, San Francisco, CA (US);
Matthew Dean Rohrbach, San Francisco, CA (US);
Peter Russell-Clarke, San Francisco, CA (US);
Benjamin Andrew Shaffer, San Jose, CA (US);
Mikael Silvanto, San Francisco, CA (US);
Christopher J. Stringer, Woodside, CA (US);
Eugene Antony Whang, San Francisco, CA (US);
Rico Zörkendörfer, San Francisco, CA (US)

(56) **References Cited**

U.S. PATENT DOCUMENTS

D209,359	S	*	11/1967	Schuler	D6/466
5,136,557	A	*	8/1992	Plawker et al.	368/316
D379,758	S	*	6/1997	Chu Lee	D9/415
D409,416	S	*	5/1999	Au	D6/682
6,109,279	A	*	8/2000	Kloss et al.	135/16
D478,740	S	*	8/2003	Kirshner	D6/682
D502,338	S	*	3/2005	Zanghi et al.	D6/672
D599,241	S		9/2009	Andre et al.		
D643,844	S		8/2011	Akana et al.		
D662,939	S		7/2012	Akana et al.		
D696,259	S	*	12/2013	Howarth et al.	D14/447

* cited by examiner

Primary Examiner — Kelley Donnelly

(74) *Attorney, Agent, or Firm* — Sterne, Kessler, Goldstein & Fox P.L.L.C.

(57) **CLAIM**

The ornamental design for a display stand, as shown and described.

DESCRIPTION

FIG. 1 is a top front perspective view of a display stand showing our new design;
FIG. 2 is a front view thereof;
FIG. 3 is a rear view thereof;
FIG. 4 is a left side view thereof;
FIG. 5 is a right side view thereof;
FIG. 6 is a top view thereof;
FIG. 7 is a bottom view thereof; and,
FIG. 8 is a right side view thereof showing the display stand in an environment in which it may be used.
The broken lines in the Figures show portions of the display stand or environment that form no part of the claimed design.

1 Claim, 6 Drawing Sheets

(73) Assignee: **Apple Inc.**, Cupertino, CA (US)

(**) Term: **14 Years**

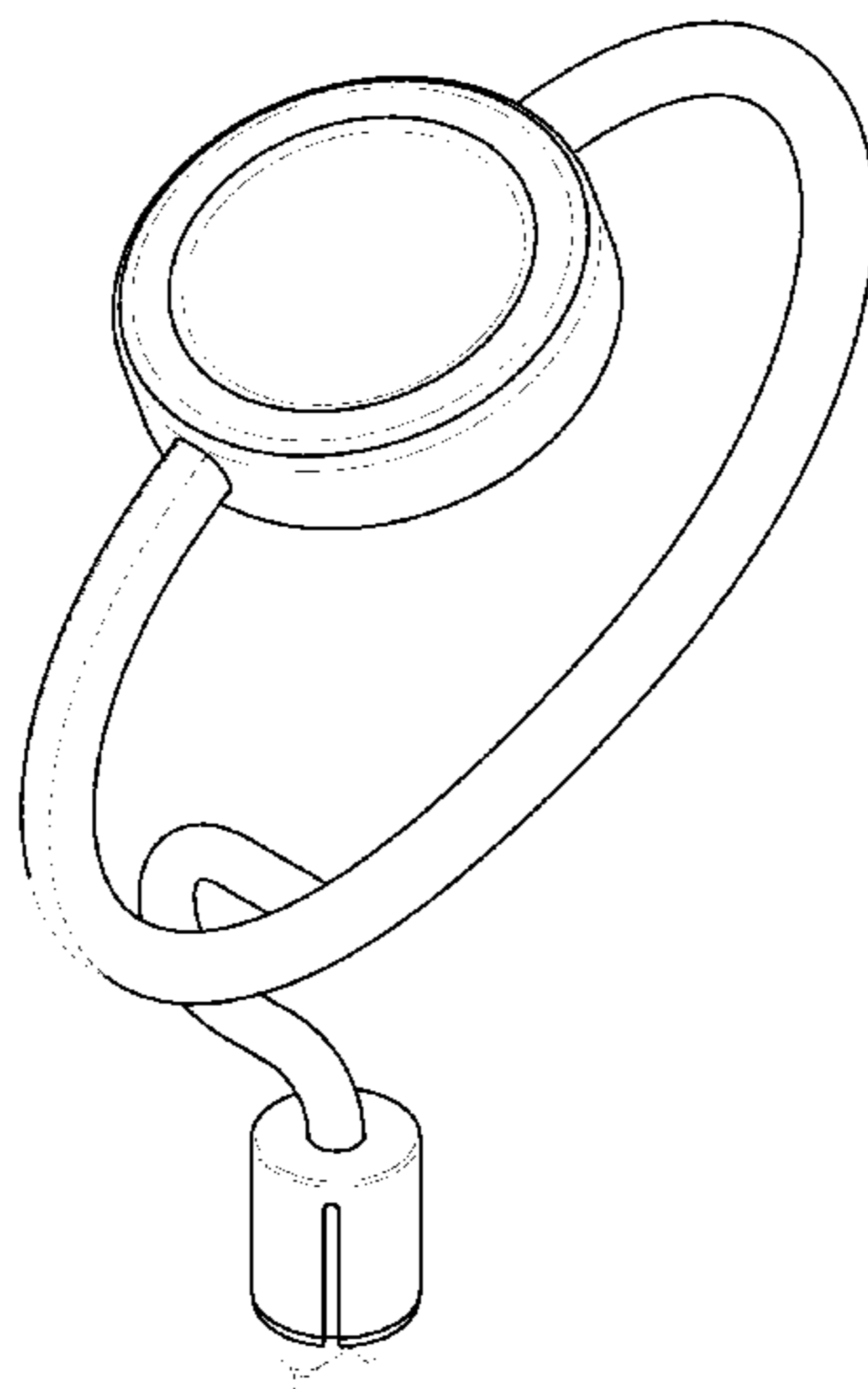
(21) Appl. No.: **29/500,897**

(22) Filed: **Aug. 29, 2014**

(51) **LOC (10) Cl.** **06-06**

(52) **U.S. Cl.**
USPC **D6/682.5**

(58) **Field of Classification Search**
USPC D6/677, 681, 681.1, 682, 682.1, 682.3,
D6/682.5; 211/13.1, 85.2, 85.3, 85.26,
211/85.1



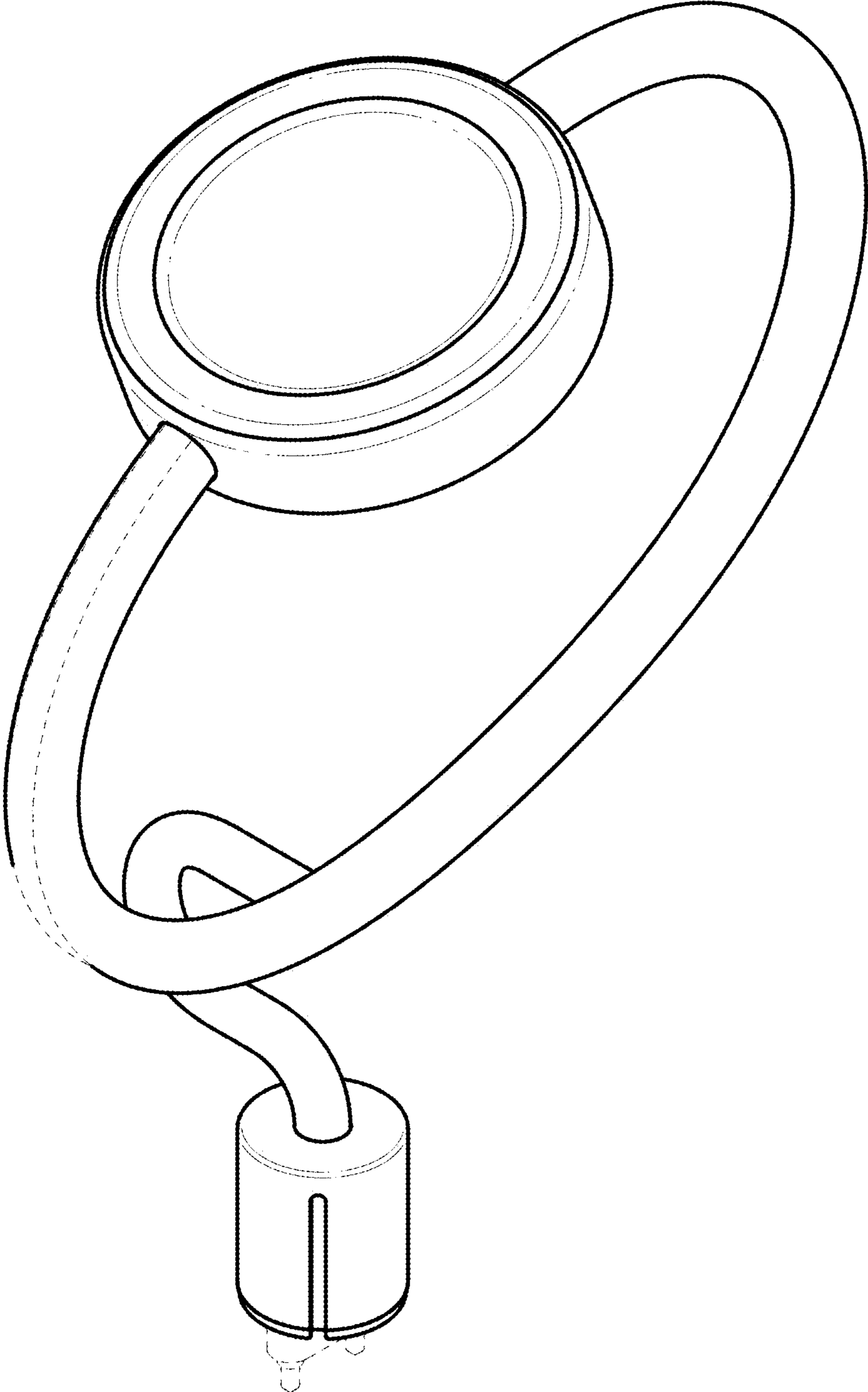


FIG. 1

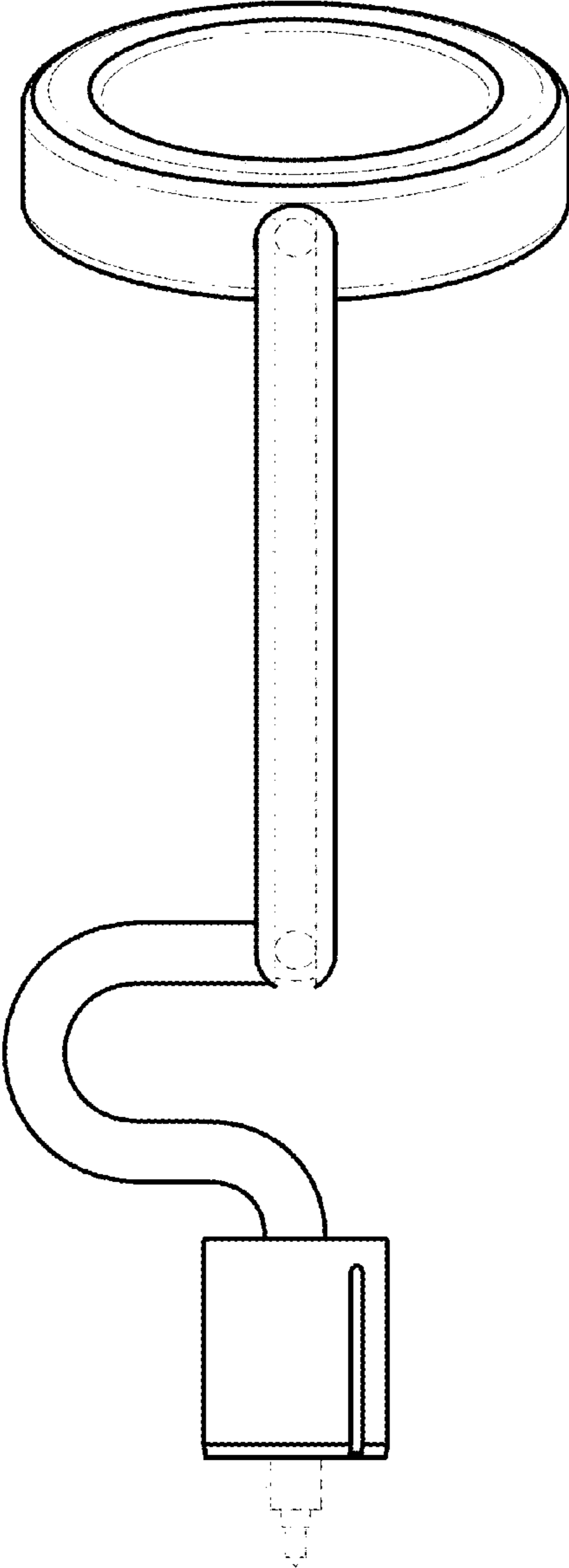


FIG. 2

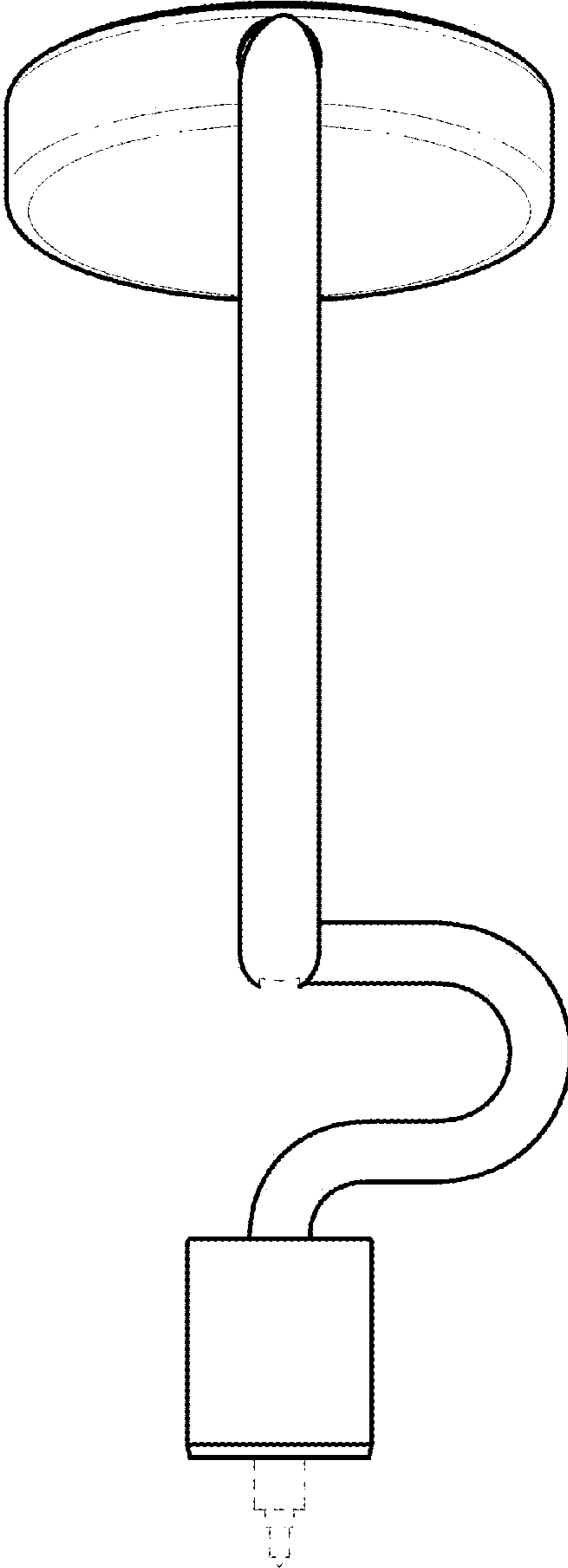


FIG. 3

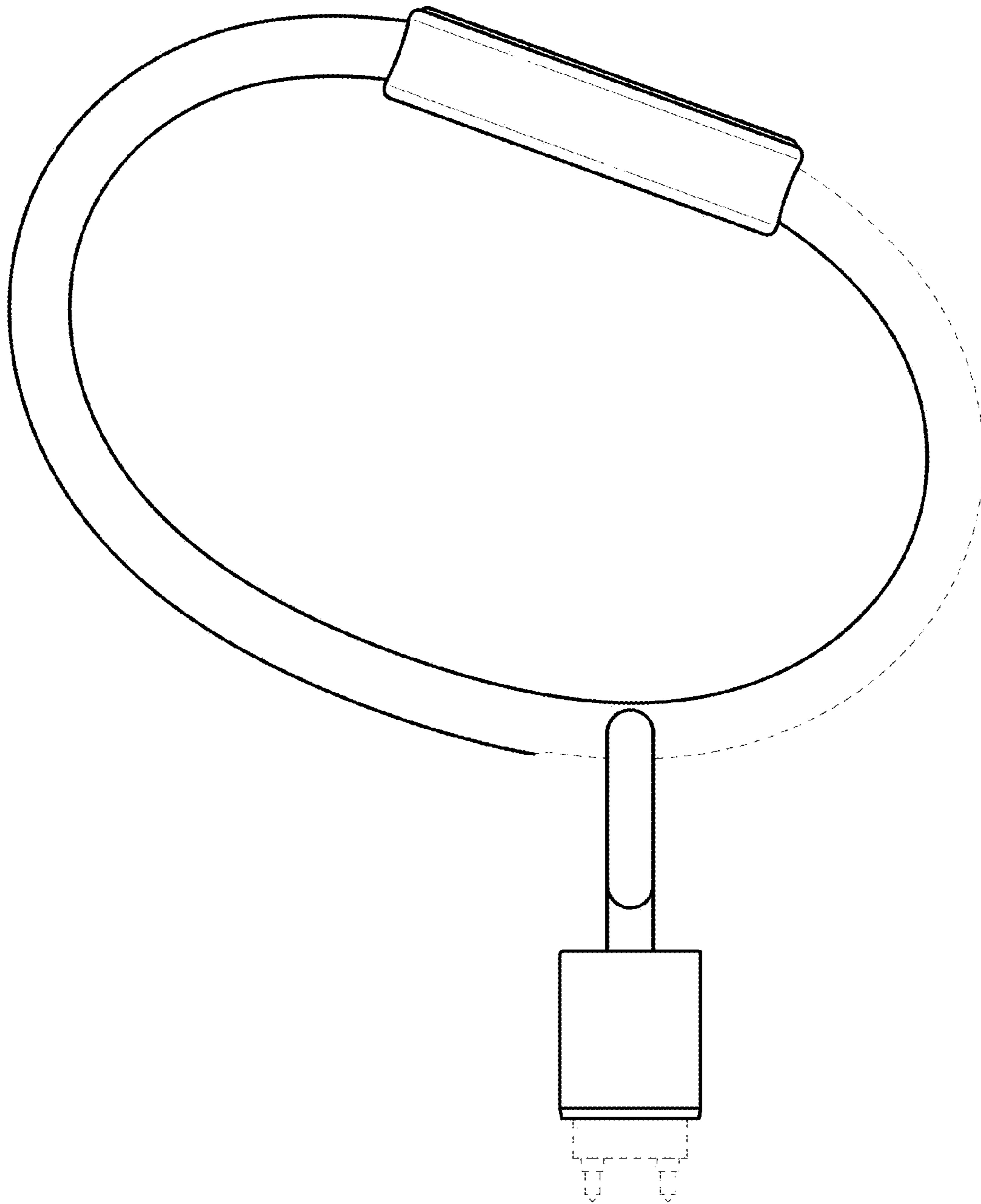


FIG. 4

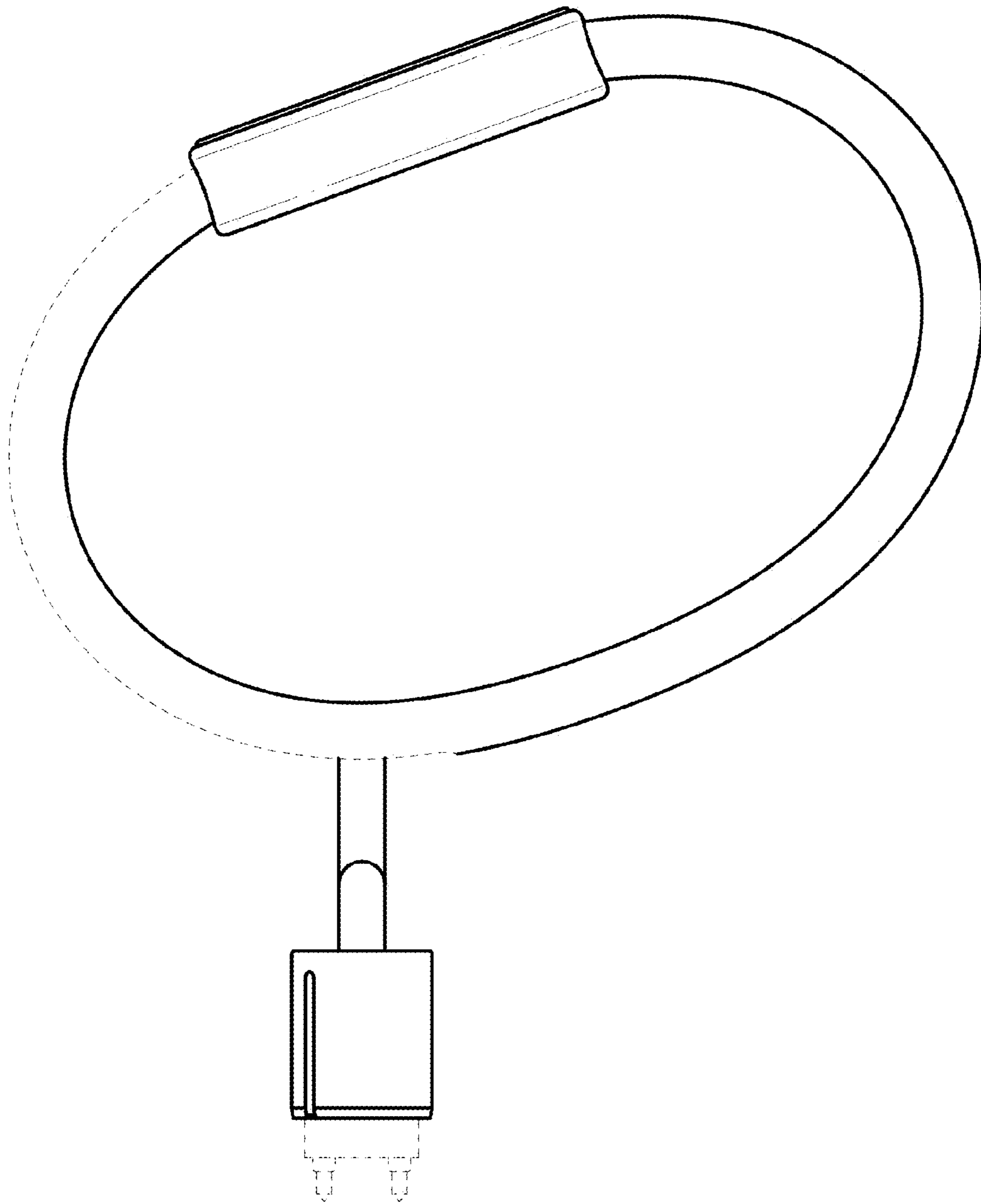


FIG. 5

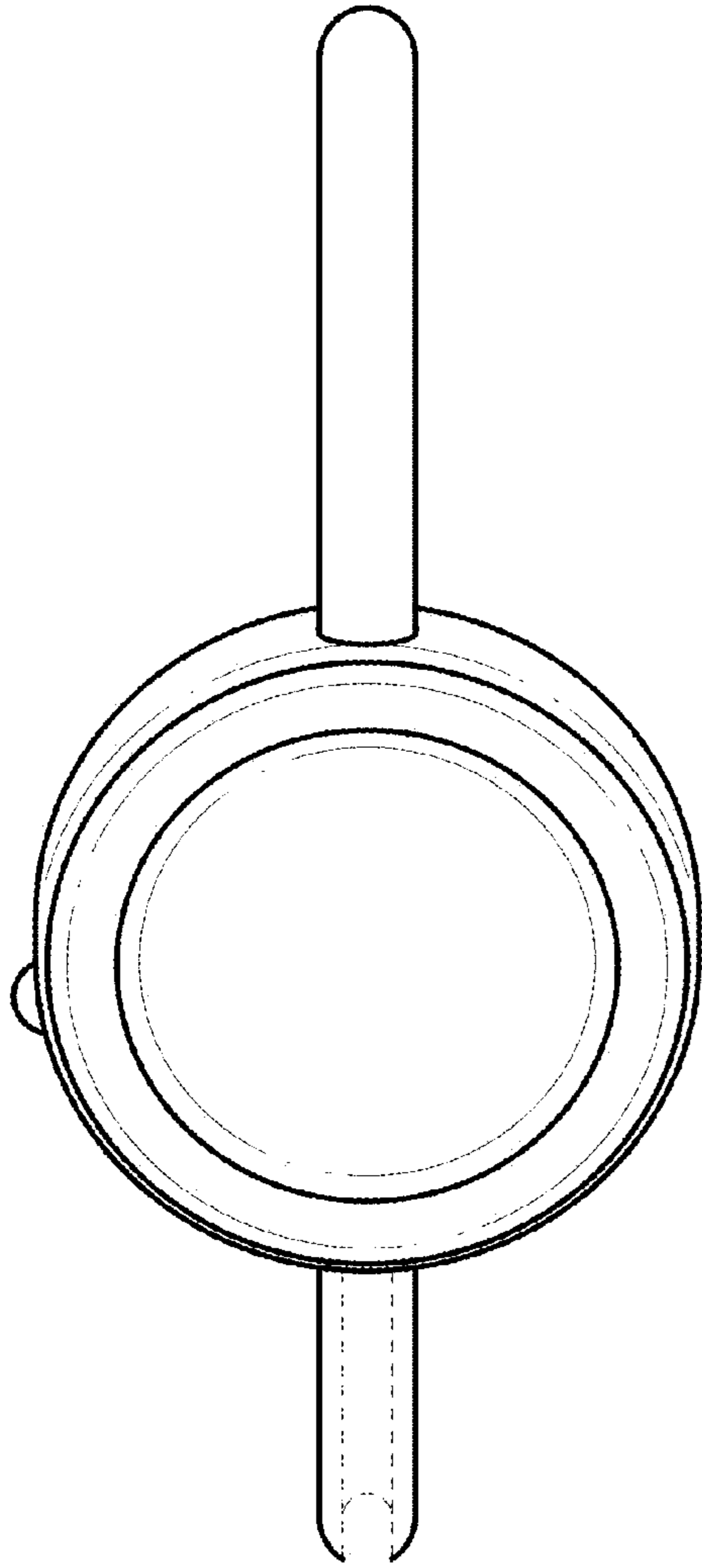


FIG. 6

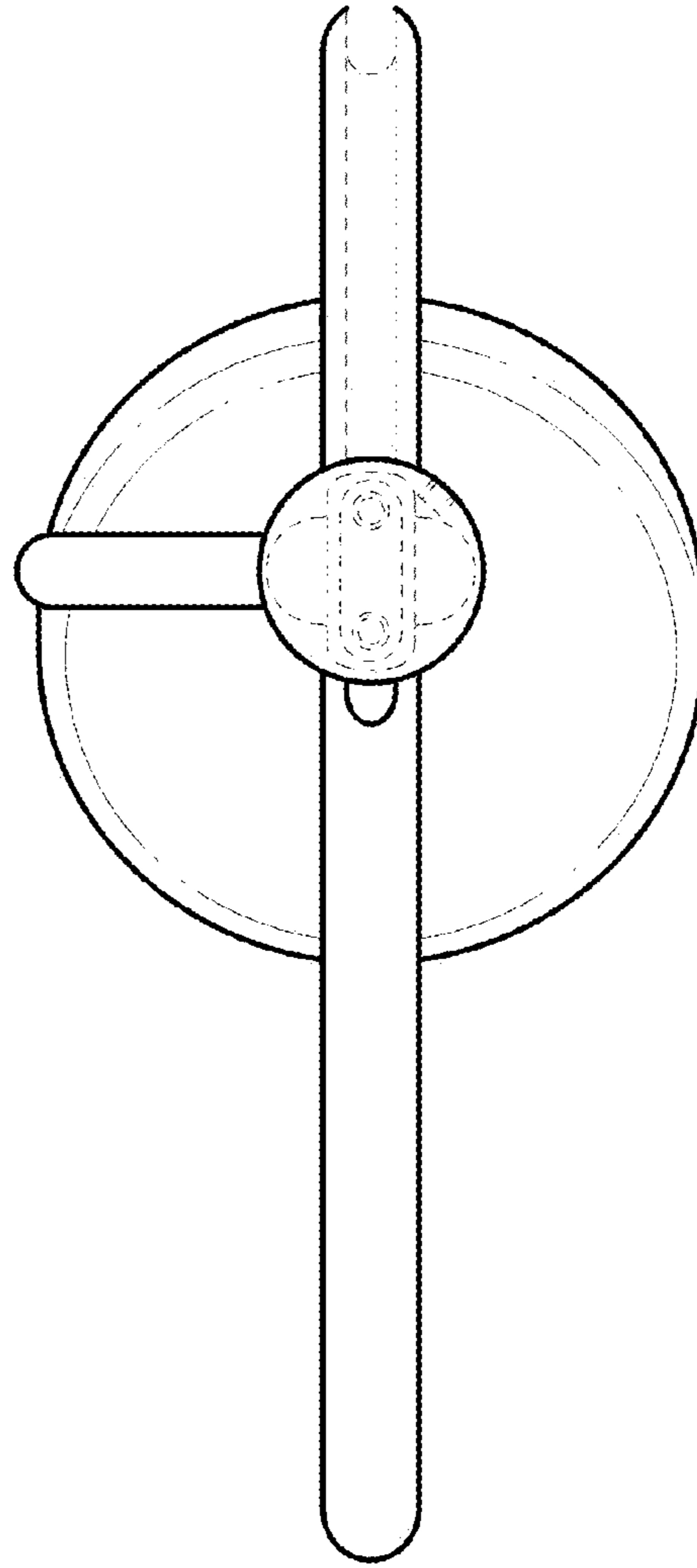


FIG. 7

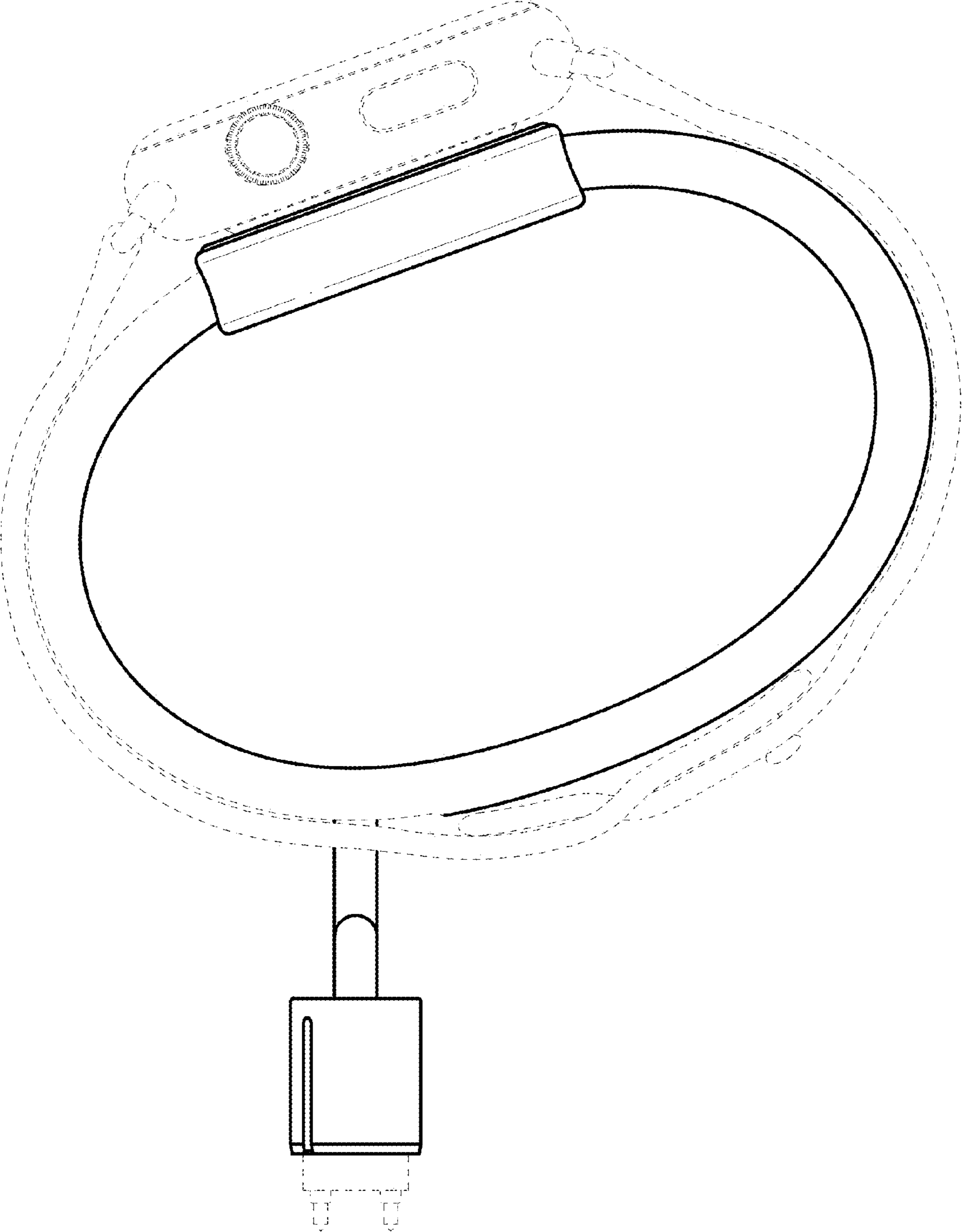


FIG. 8