



US00D740059S

(12) **United States Design Patent**
Gaffey

(10) **Patent No.:** **US D740,059 S**
(45) **Date of Patent:** **** Oct. 6, 2015**

(54) **VEHICLE TIRE STORAGE CONTAINER**

(71) Applicant: **Edward R. Gaffey**, Fort Erie, CA (US)

(72) Inventor: **Edward R. Gaffey**, Fort Erie, CA (US)

(**) Term: **14 Years**

(21) Appl. No.: **29/487,498**

(22) Filed: **Apr. 9, 2014**

(51) **LOC (10) Cl.** **06-01**

(52) **U.S. Cl.**
USPC **D6/667**

(58) **Field of Classification Search**

USPC D6/663, 667, 671, 671.1, 671.2, 671.3,
D6/671.4
CPC A47F 3/00; A47F 3/005; A47F 7/04;
A47B 17/04; A47B 67/005; A47B 47/03
See application file for complete search history.

(56) **References Cited**

U.S. PATENT DOCUMENTS

238,452 A * 3/1881 Sorenson A47B 47/03
2,951,588 A * 9/1960 O'Neil A47F 7/04

(Continued)

OTHER PUBLICATIONS

[https://www.google.com/search?q=tire+storage+rack
&source=Inms&tbm=isch&sa=X
&ei=9JrBUtrfCZWksQTwn4D4Dg&ved=0CAkQ_AUoAQ
&biw=1366&bih=600](https://www.google.com/search?q=tire+storage+rack&source=Inms&tbm=isch&sa=X&ei=9JrBUtrfCZWksQTwn4D4Dg&ved=0CAkQ_AUoAQ&biw=1366&bih=600) Accessed Jan. 2, 2014.

(Continued)

Primary Examiner — Mimoso De

(74) *Attorney, Agent, or Firm* — Robert C. Montgomery;
Montgomery Patent & Design

(57) **CLAIM**

The ornamental design for a vehicle tire storage container, as shown and described.

DESCRIPTION

FIG. 1 is a perspective view of a vehicle tire storage container showing a container, a lower lid, and an upper lid in assem-

blage, wherein the broken lines represent hydraulic lid closures and hinges as part of the environment and form no part of the claimed design;

FIG. 2 is a perspective top view of the container;

FIG. 3 is another perspective top view FIG. 2;

FIG. 4 is a bottom perspective view of FIG. 2;

FIG. 5 is another bottom perspective view of FIG. 2;

FIG. 6 is a front view of FIG. 2;

FIG. 7 is a rear view of the FIG. 2;

FIG. 8 is a left-hand side view of the FIG. 2;

FIG. 9 is a right-hand side view of the FIG. 2;

FIG. 10 is a top view of the FIG. 2;

FIG. 11 is a bottom view of the FIG. 2;

FIG. 12 is an enlarged perspective bottom view of the upper lid;

FIG. 13 is another enlarged perspective bottom view of FIG. 12;

FIG. 14 is another enlarged perspective bottom view of FIG. 12;

FIG. 15 is a perspective top view of FIG. 12;

FIG. 16 is a front view of FIG. 12;

FIG. 17 is a rear view of FIG. 12;

FIG. 18 is a left-hand side view of FIG. 12, wherein a right-hand side view is a mirror image of the left-hand side view;

FIG. 19 is a top view of FIG. 12;

FIG. 20 is a bottom view of FIG. 12;

FIG. 21 is an exploded partial perspective bottom view of the aperture within the upper lid;

FIG. 22 is another exploded partial perspective bottom view of the aperture within the upper lid;

FIG. 23 is an exploded partial perspective top view of the aperture within the upper lid;

FIG. 24 is another exploded partial perspective top view of the aperture within the upper lid;

FIG. 25 is an enlarged perspective top view of the lower lid;

FIG. 26 is another enlarged perspective top view of FIG. 25;

FIG. 27 is a front view of FIG. 25;

FIG. 28 is a rear view of FIG. 25;

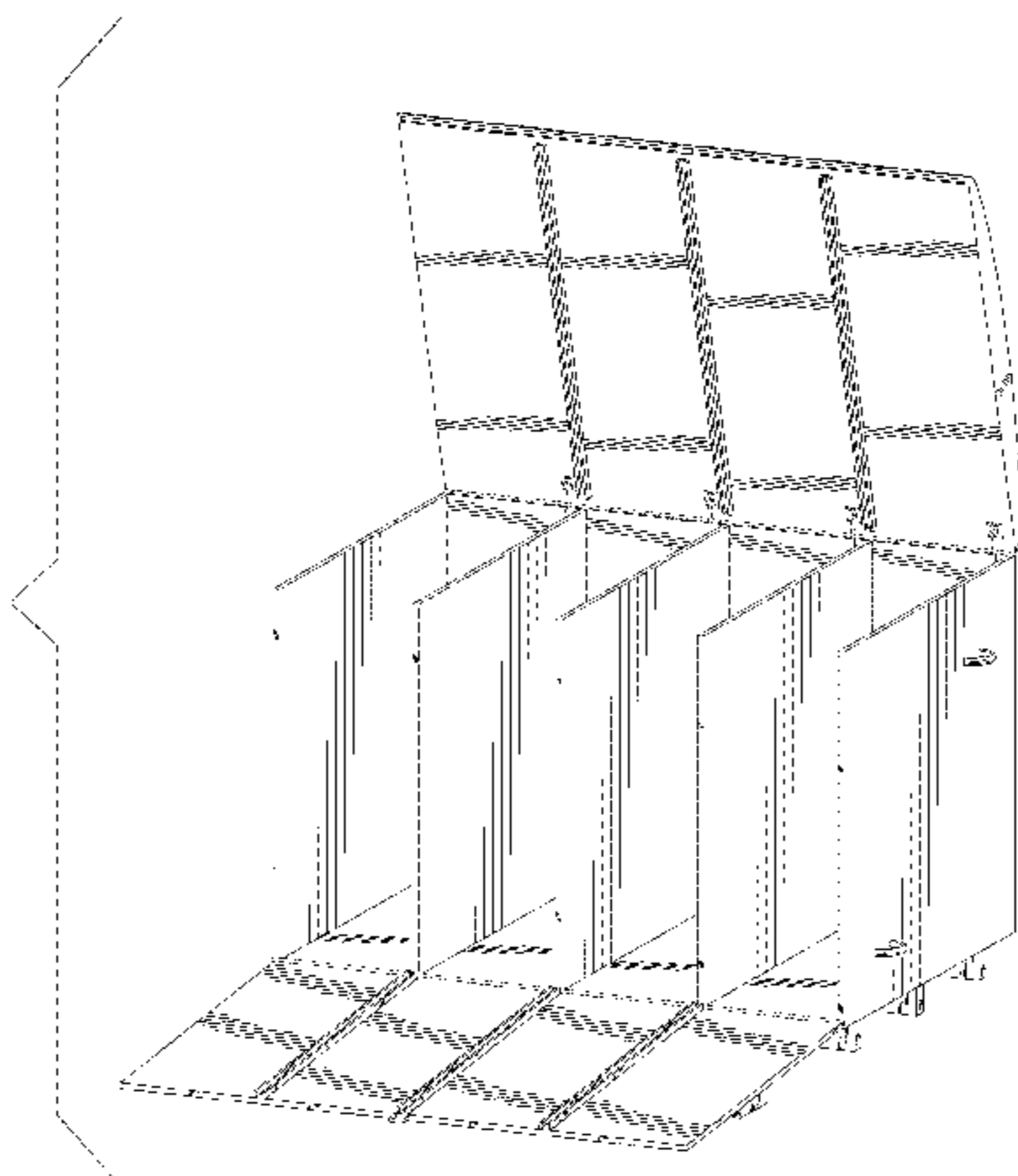
FIG. 29 is a left-hand side view of FIG. 25, wherein a right-hand side view is a mirror image of the right-hand side view;

FIG. 30 is a top view of FIG. 25; and,

FIG. 31 is a bottom view of FIG. 25.

The broken lines shown in FIG. 1 represent hydraulic lid closures and hinges as part of the environment and form no part of the claimed design.

1 Claim, 31 Drawing Sheets



(56)

References Cited

U.S. PATENT DOCUMENTS

D205,950 S * 10/1966 Band D6/671.1
3,812,974 A 5/1974 Sylvester
3,850,295 A * 11/1974 Black A47F 7/04
3,940,009 A 2/1976 Szeles
D280,156 S * 8/1985 Allen et al. D6/671.1
5,259,325 A 11/1993 Pilger
5,626,241 A * 5/1997 Holden A47F 7/04
6,298,999 B1 10/2001 Bellman

6,656,301 B2 12/2003 Kirby
D647,325 S * 10/2011 Gormezano D6/671.1
2012/0027558 A1 2/2012 Weeden et al.
2012/0074084 A1 3/2012 Barber et al.

OTHER PUBLICATIONS

Tire Rack Tire Garage. <http://www.tirerack.com/accessories/detail.jsp?ID=60> Accessed Jan. 2, 2014.

* cited by examiner

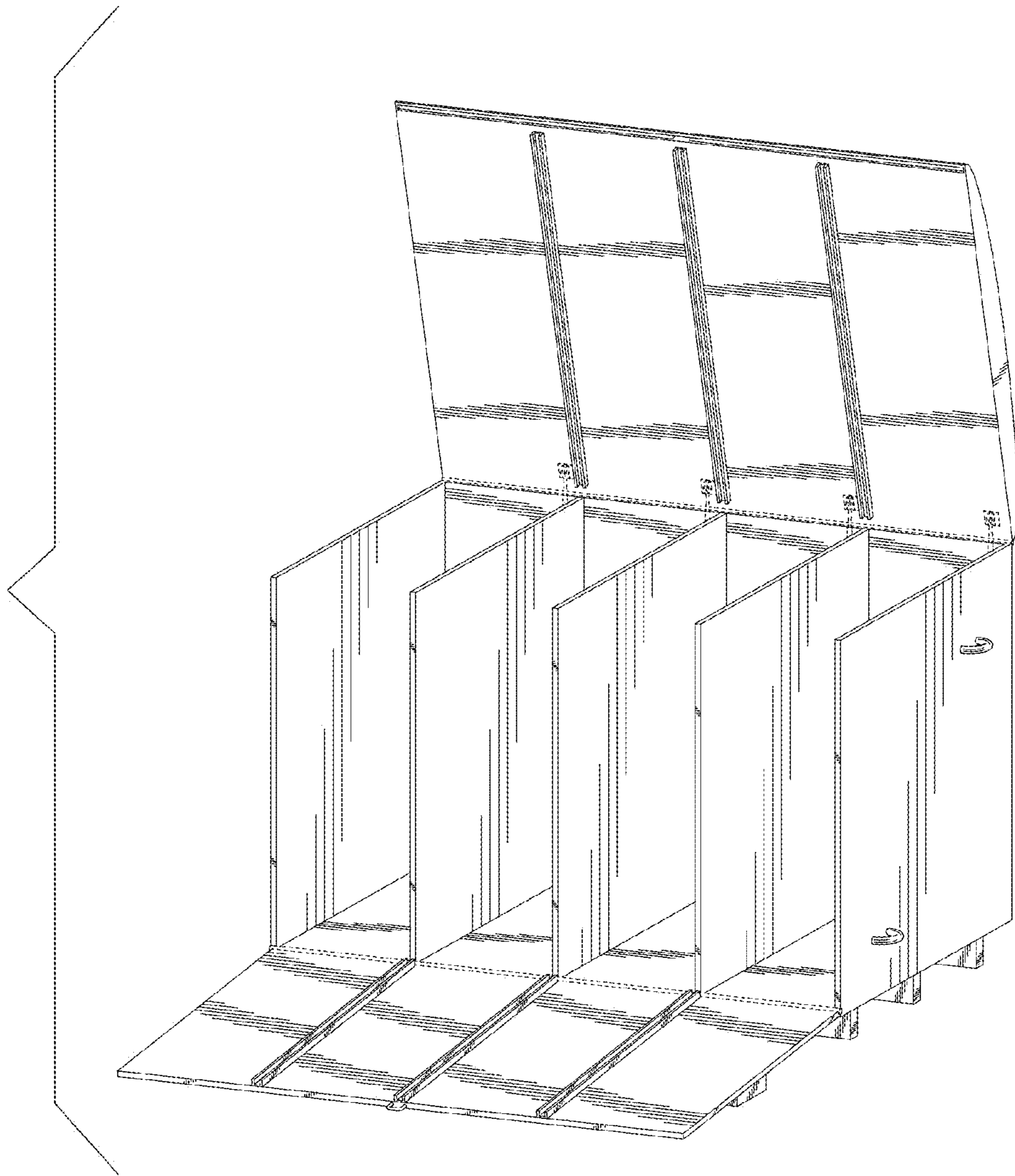


Fig. 1

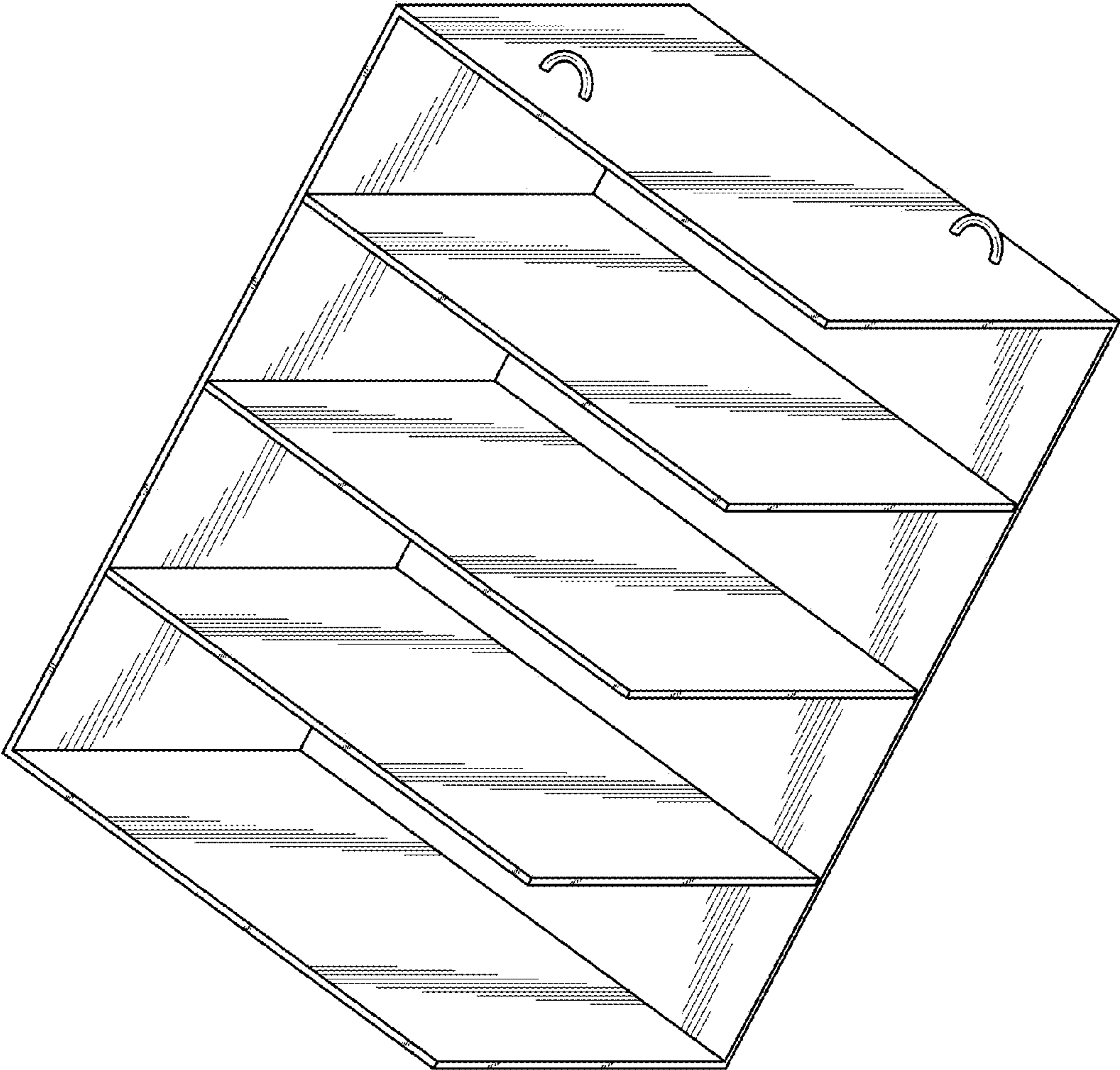


Fig. 2

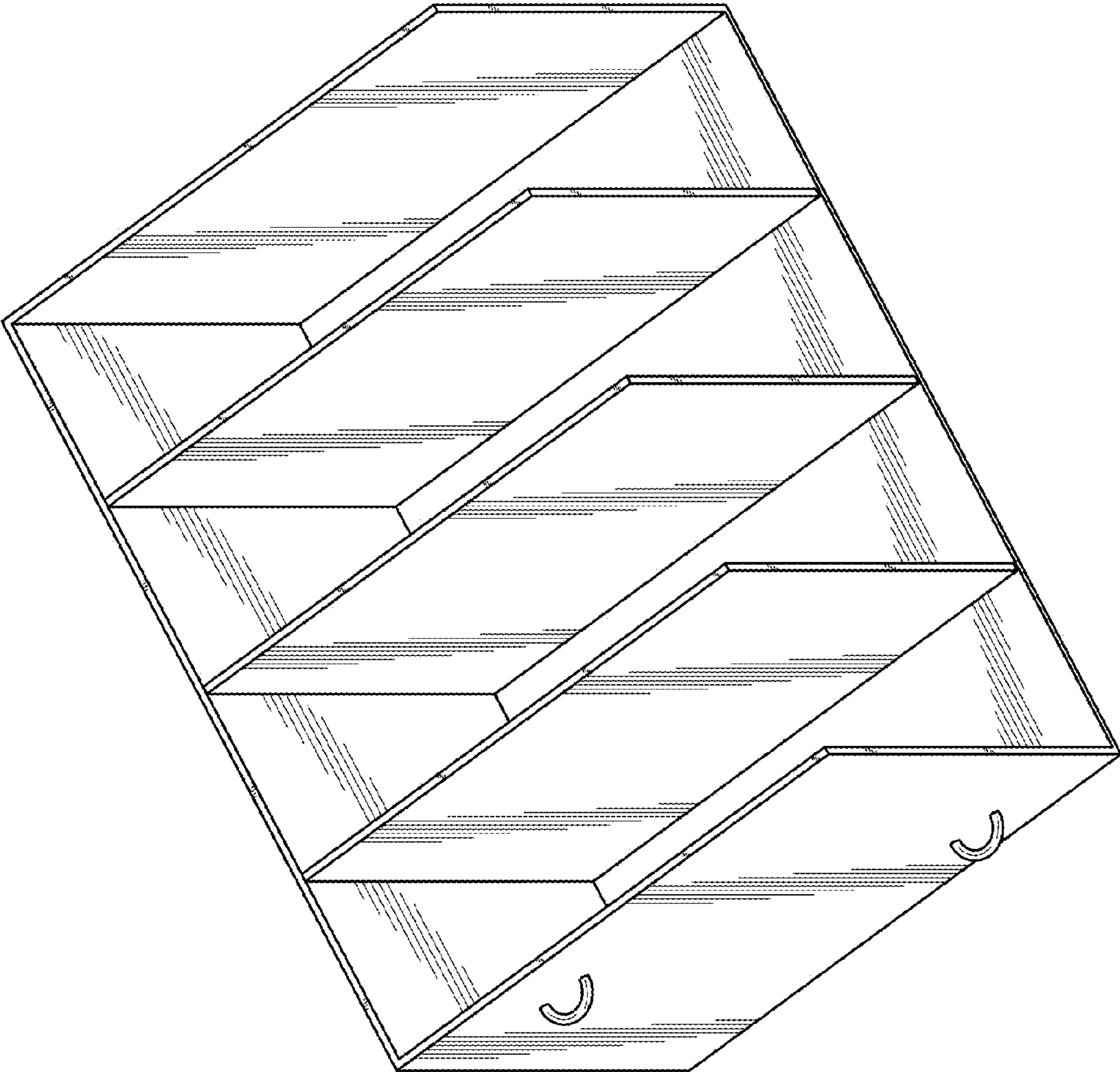


Fig. 3

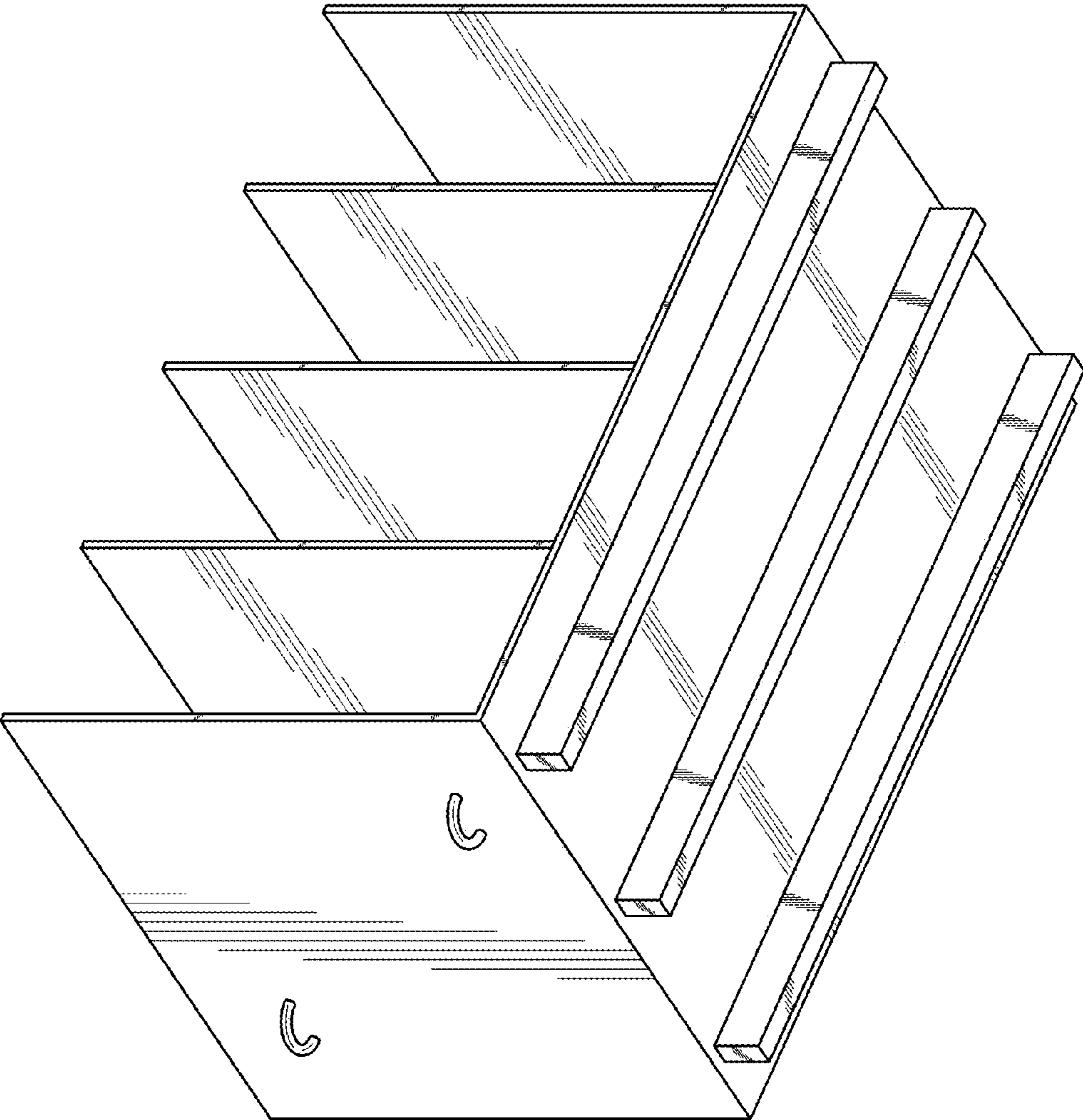


Fig. 4

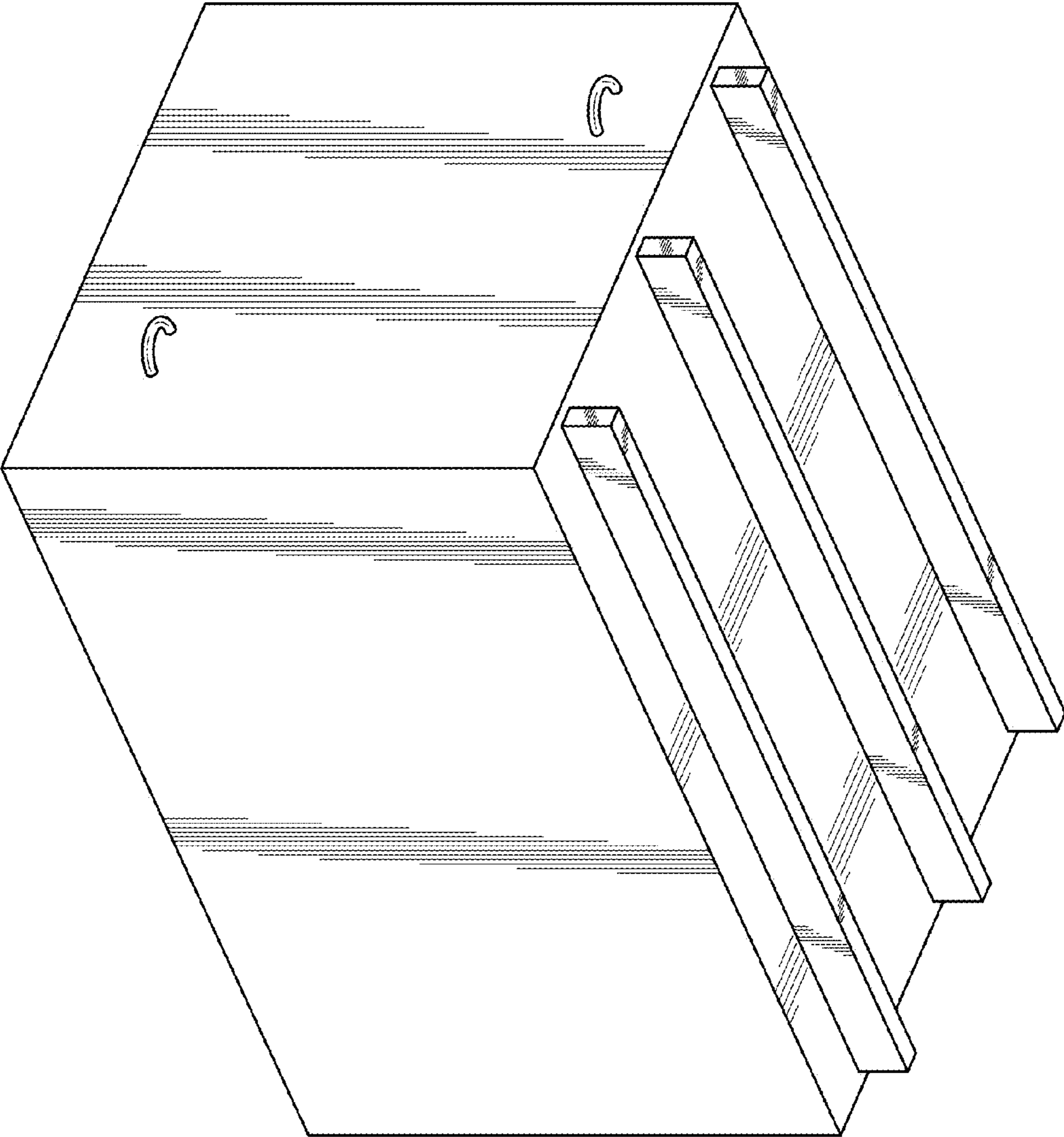


Fig. 5

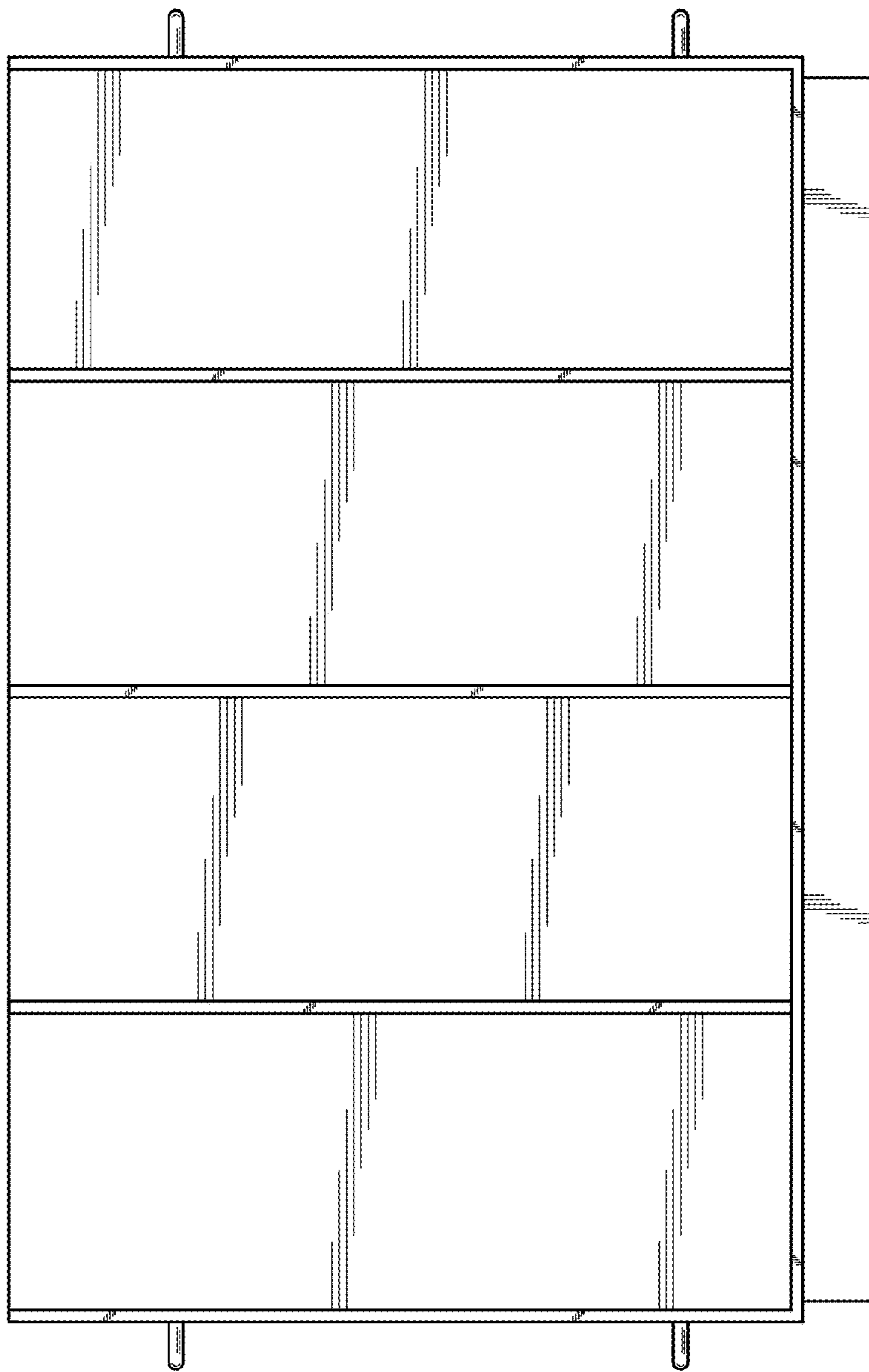


Fig. 6

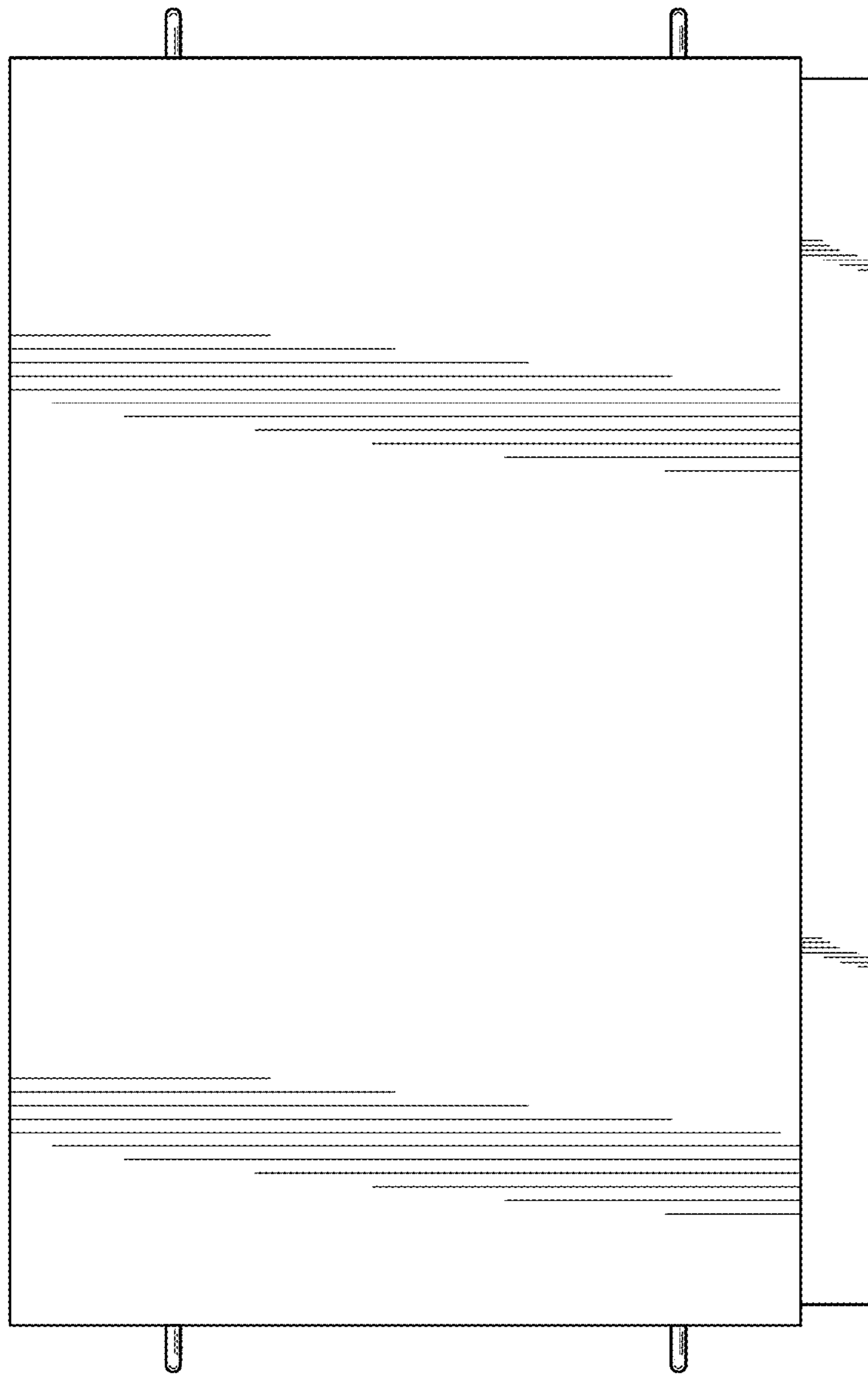


Fig. 7

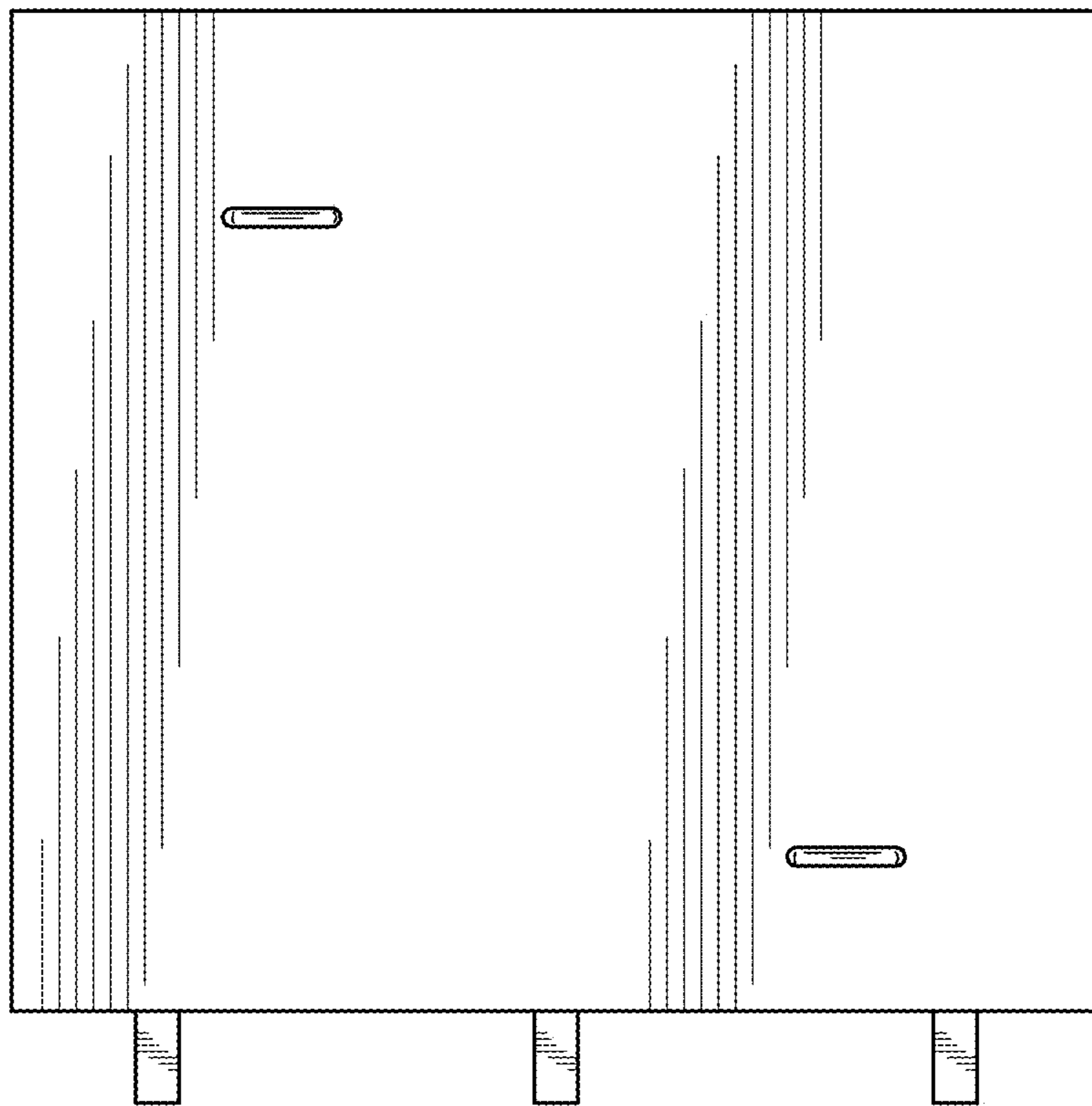


Fig. 8

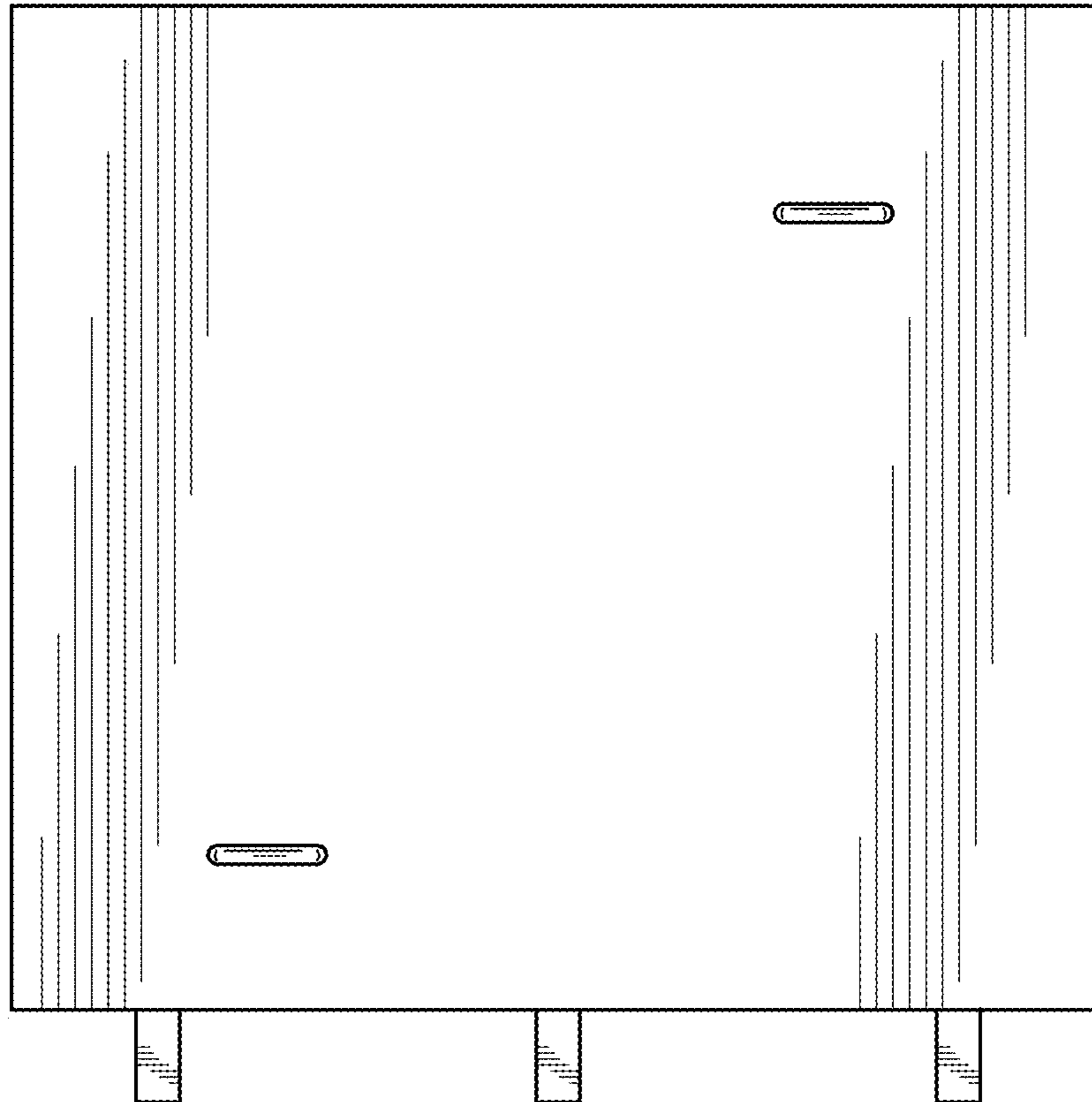


Fig. 9

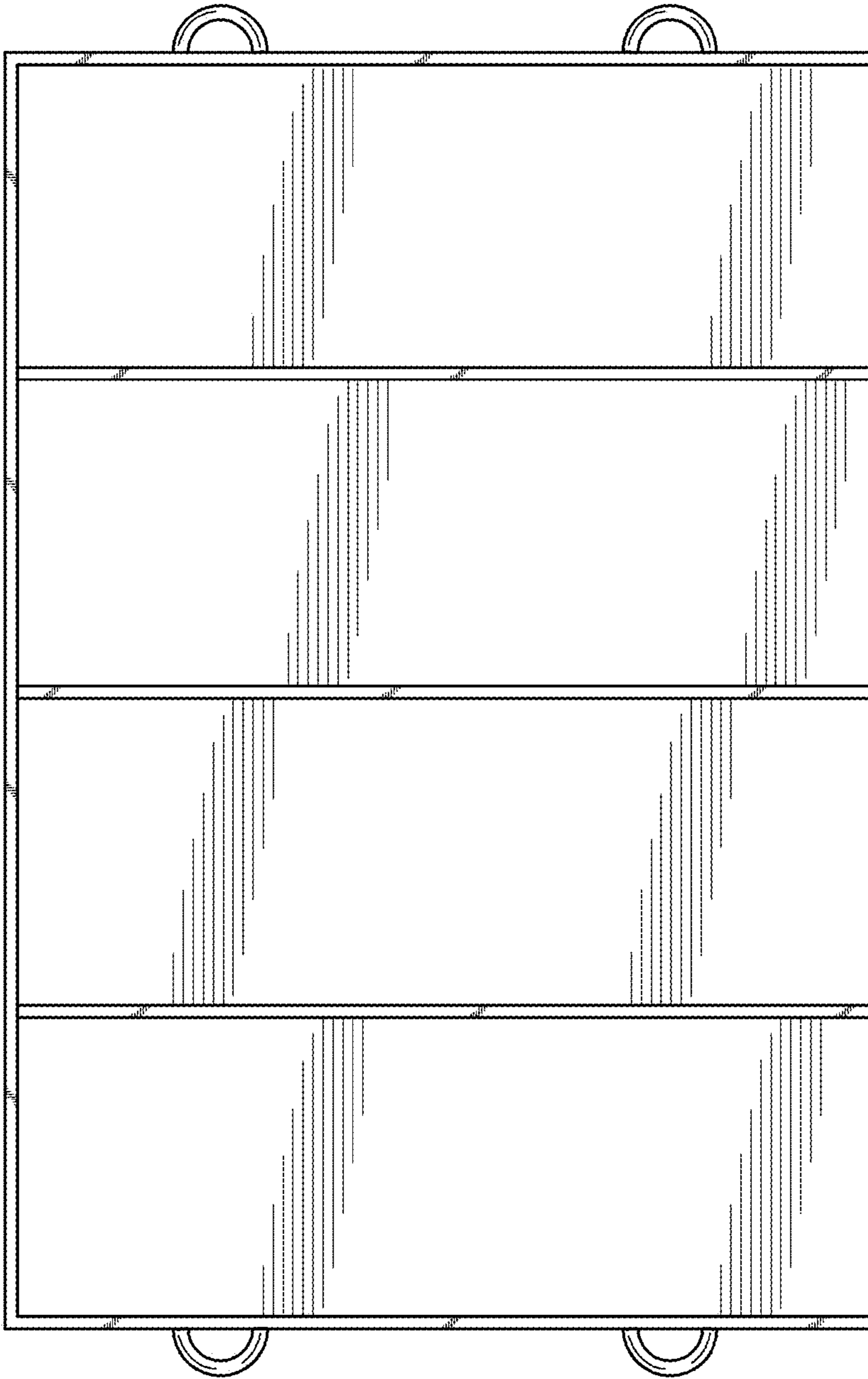


Fig. 10

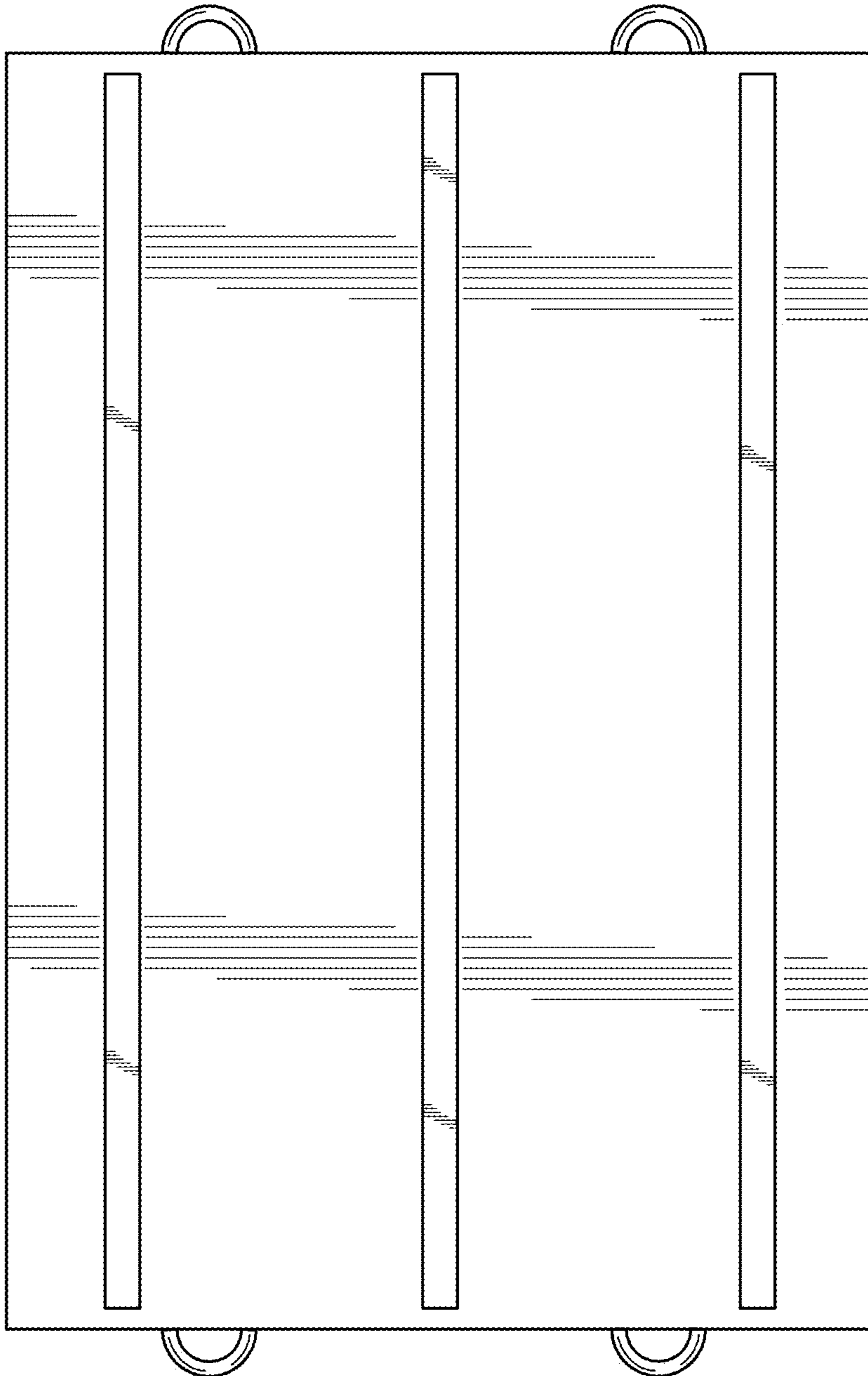


Fig. 11

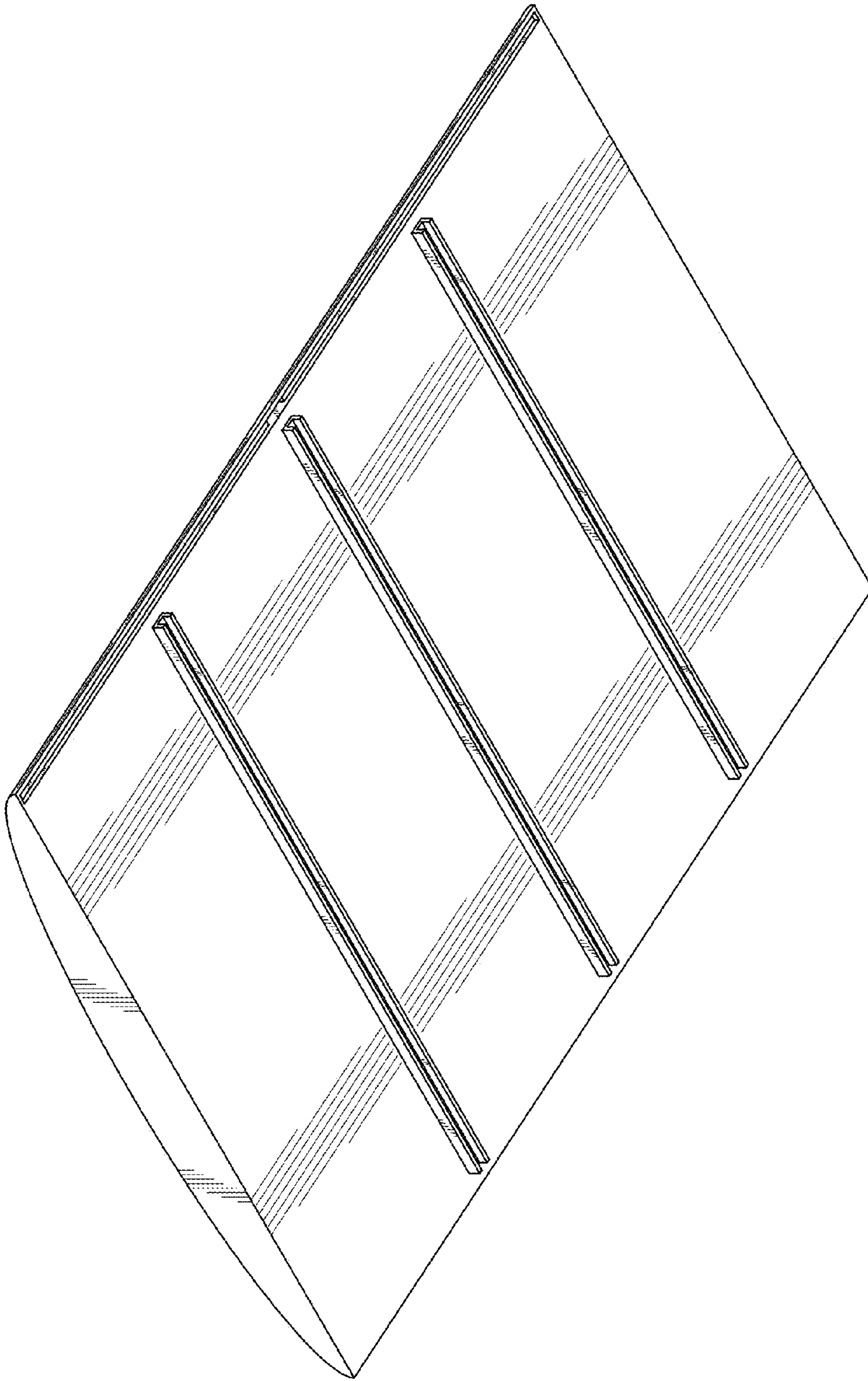


Fig. 12

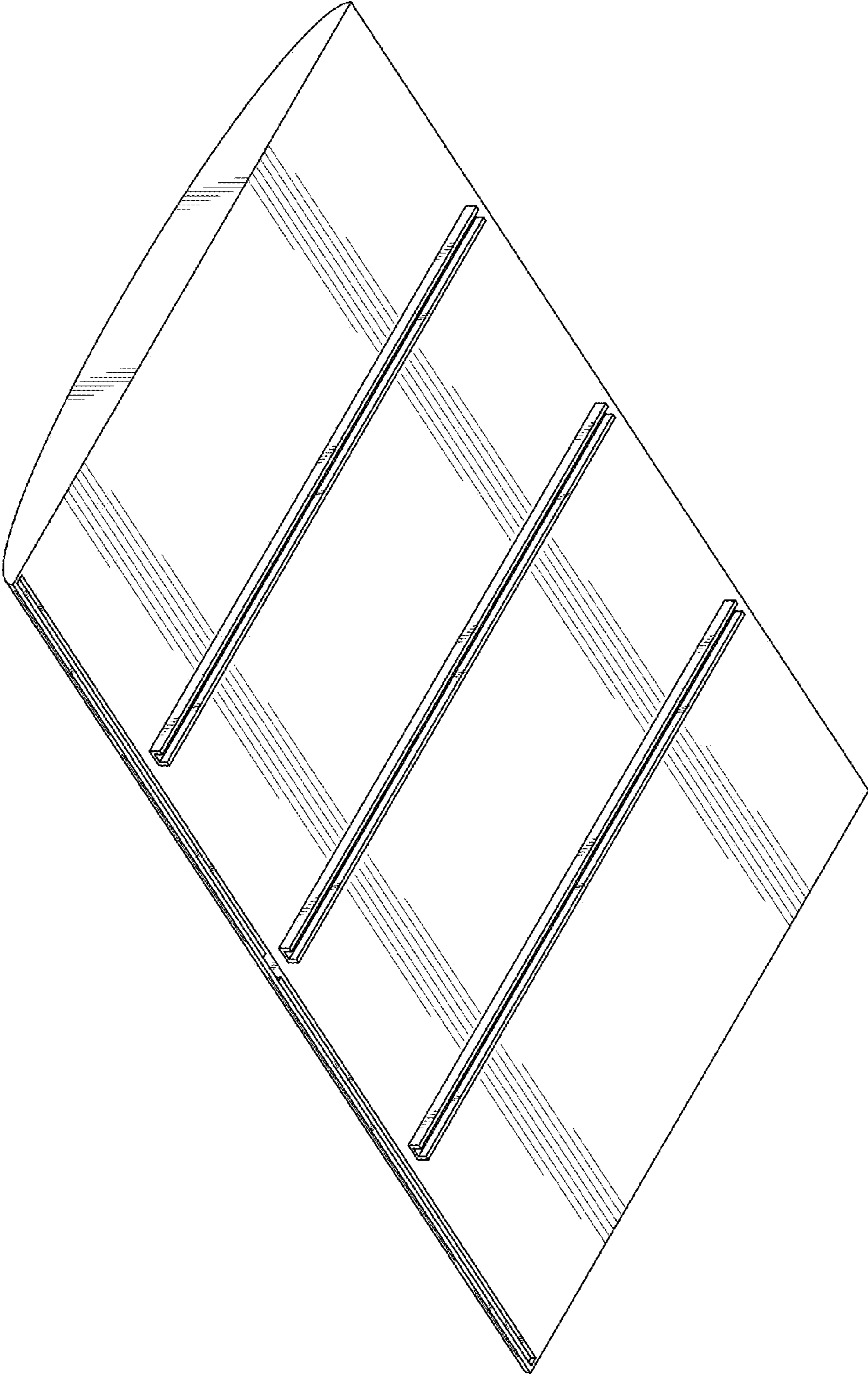


Fig. 13

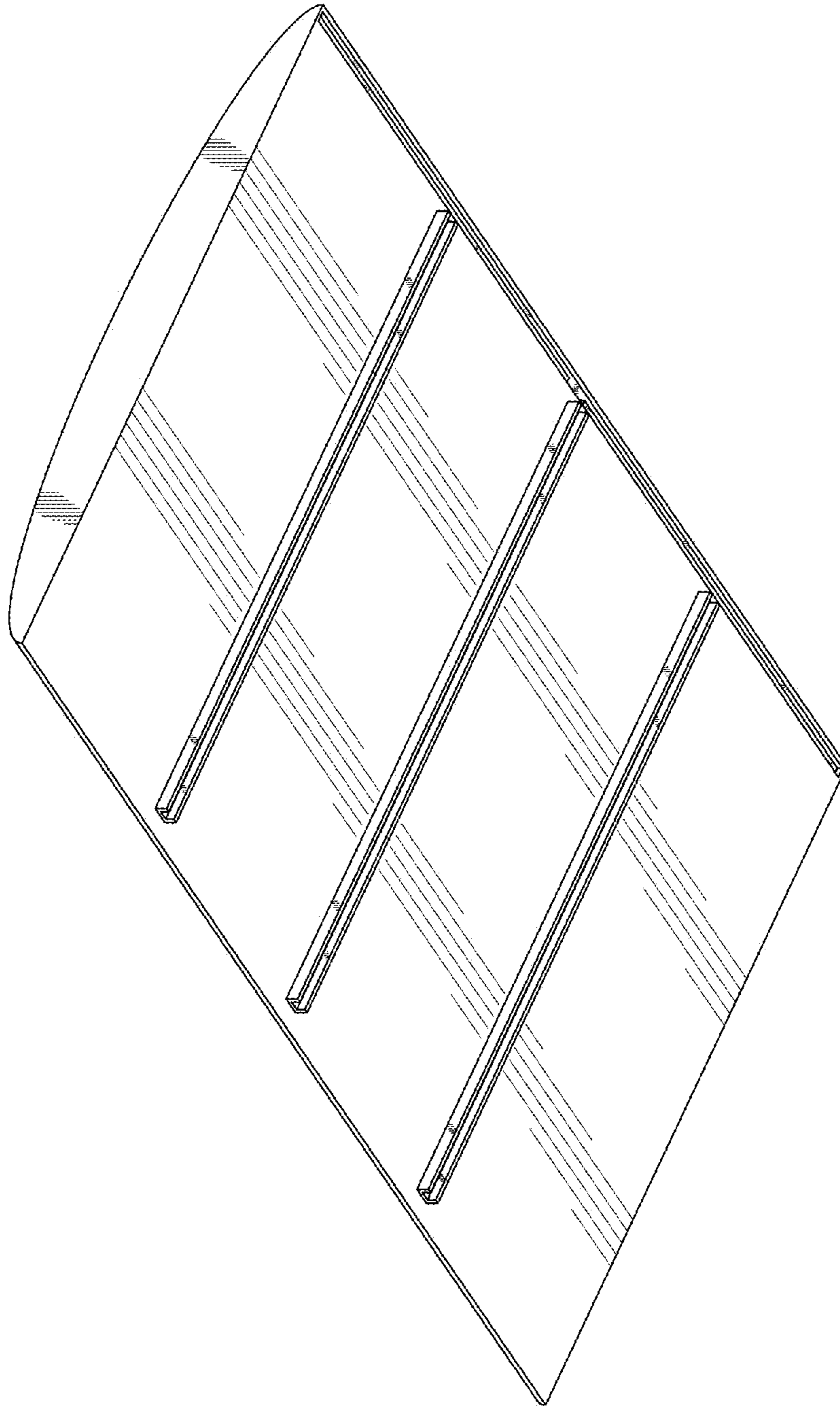


Fig. 14

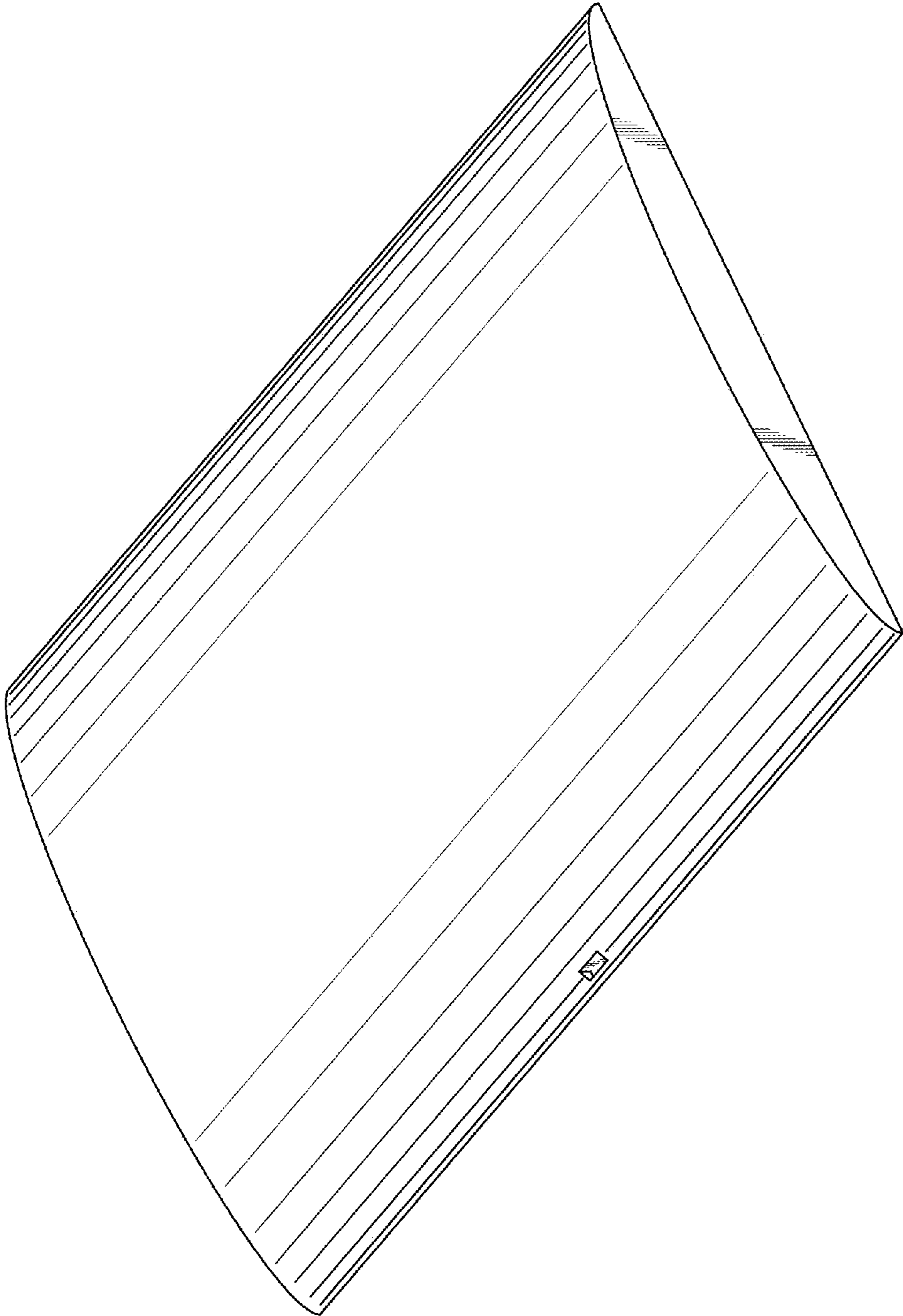


Fig. 15

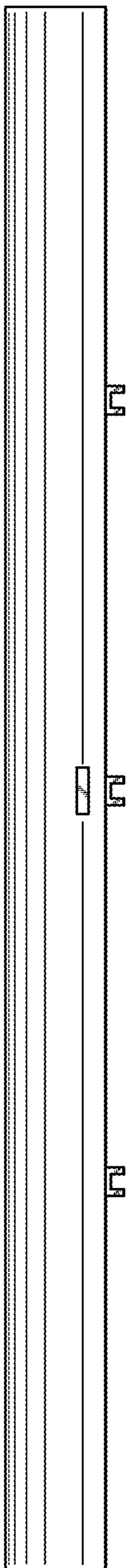


Fig. 16

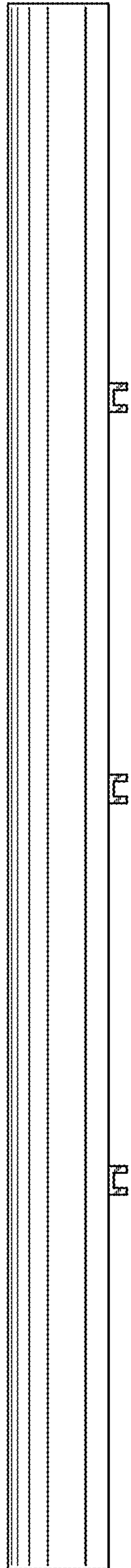


Fig. 17

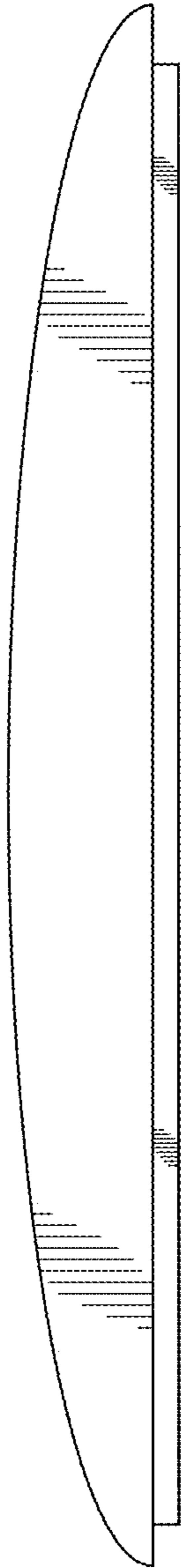


Fig. 18

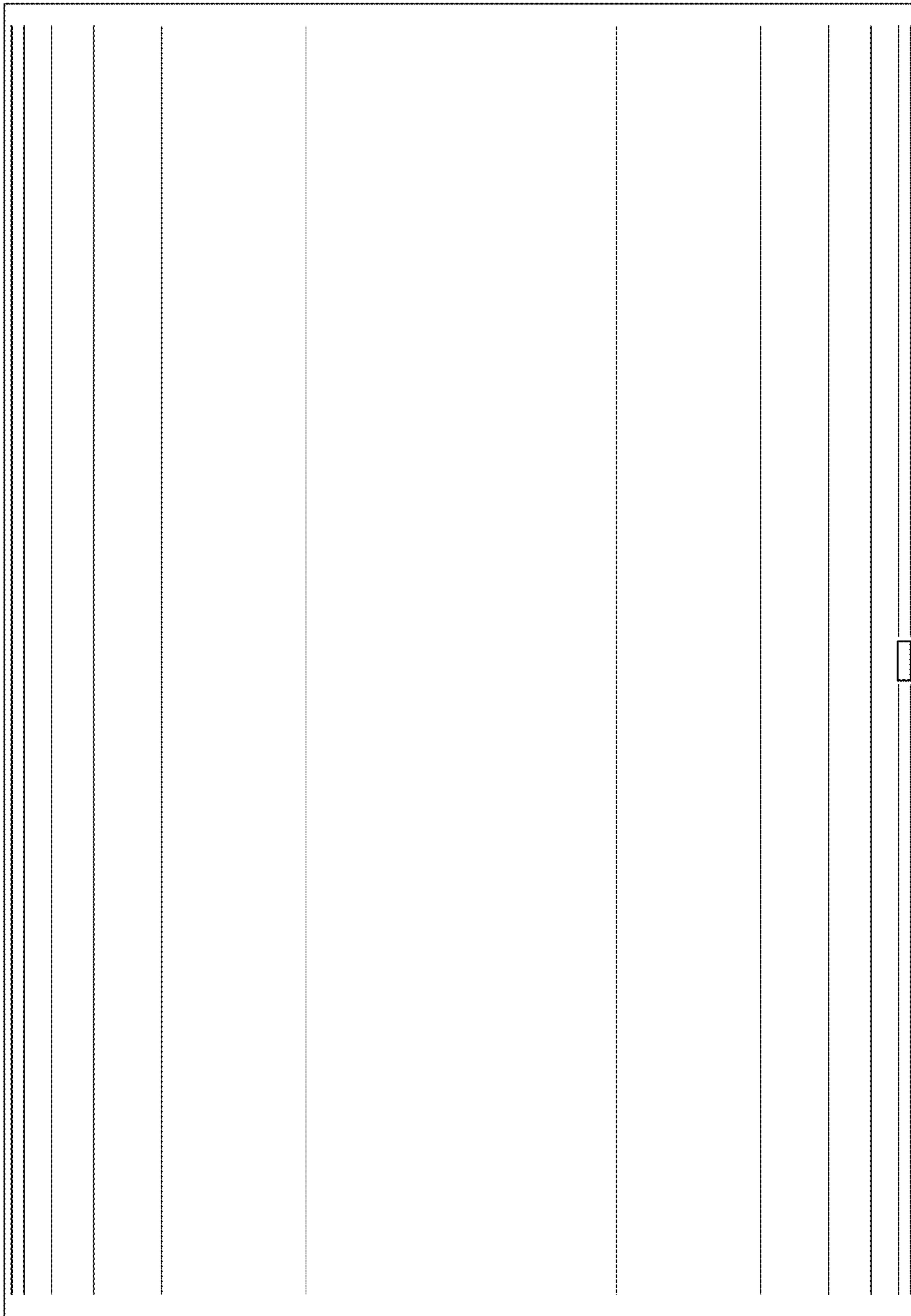


Fig. 19

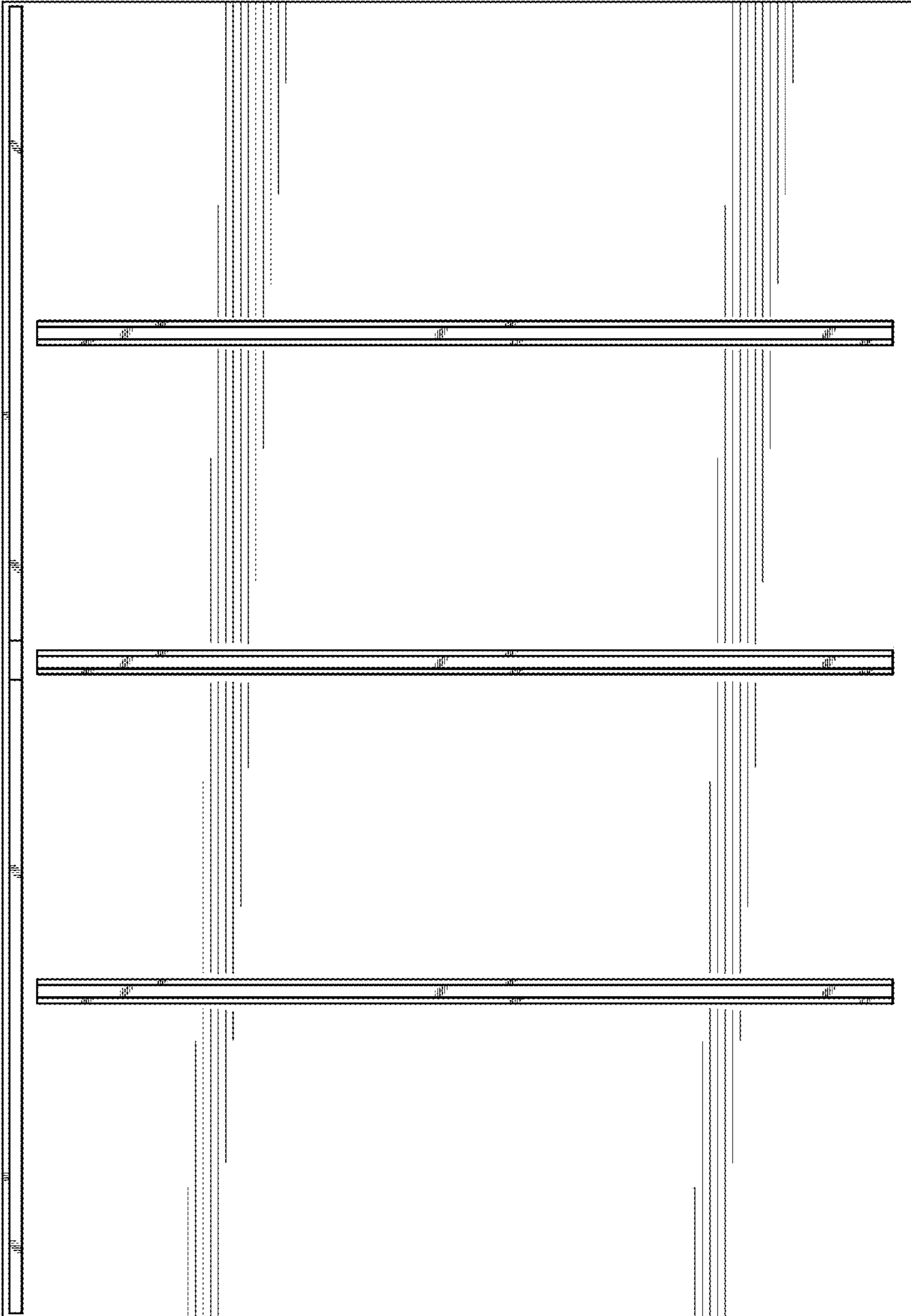


Fig. 20

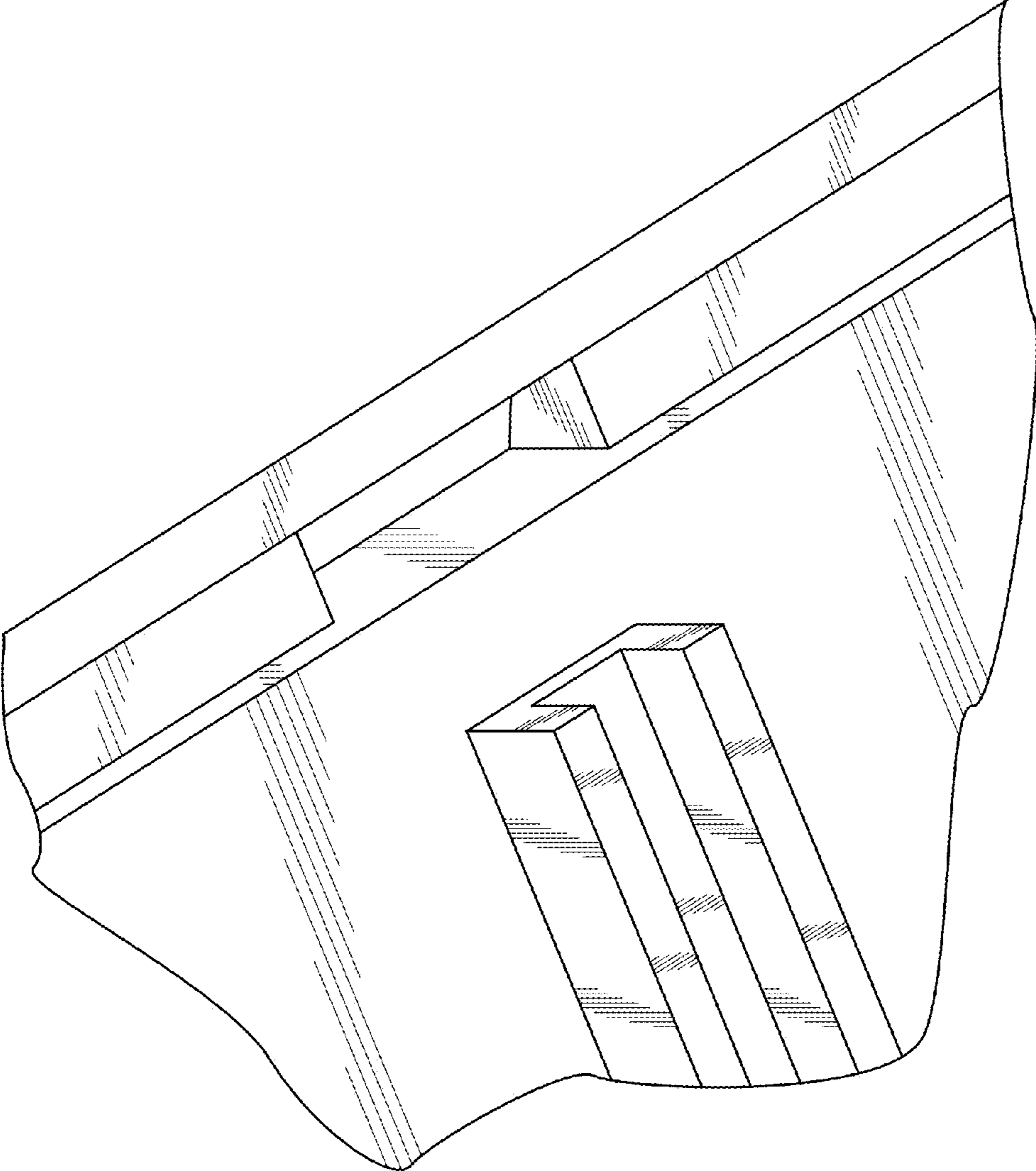


Fig. 21

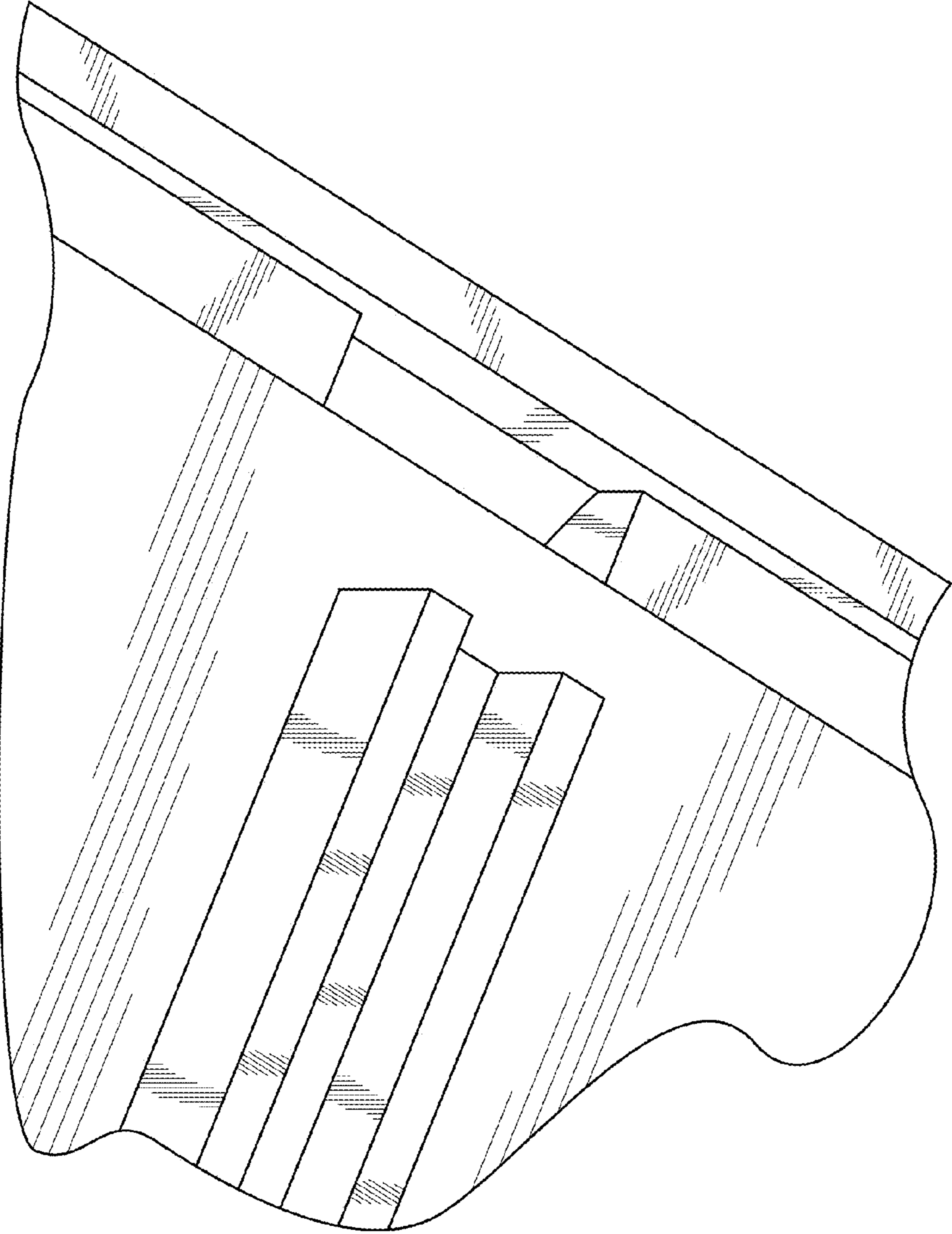


Fig. 22

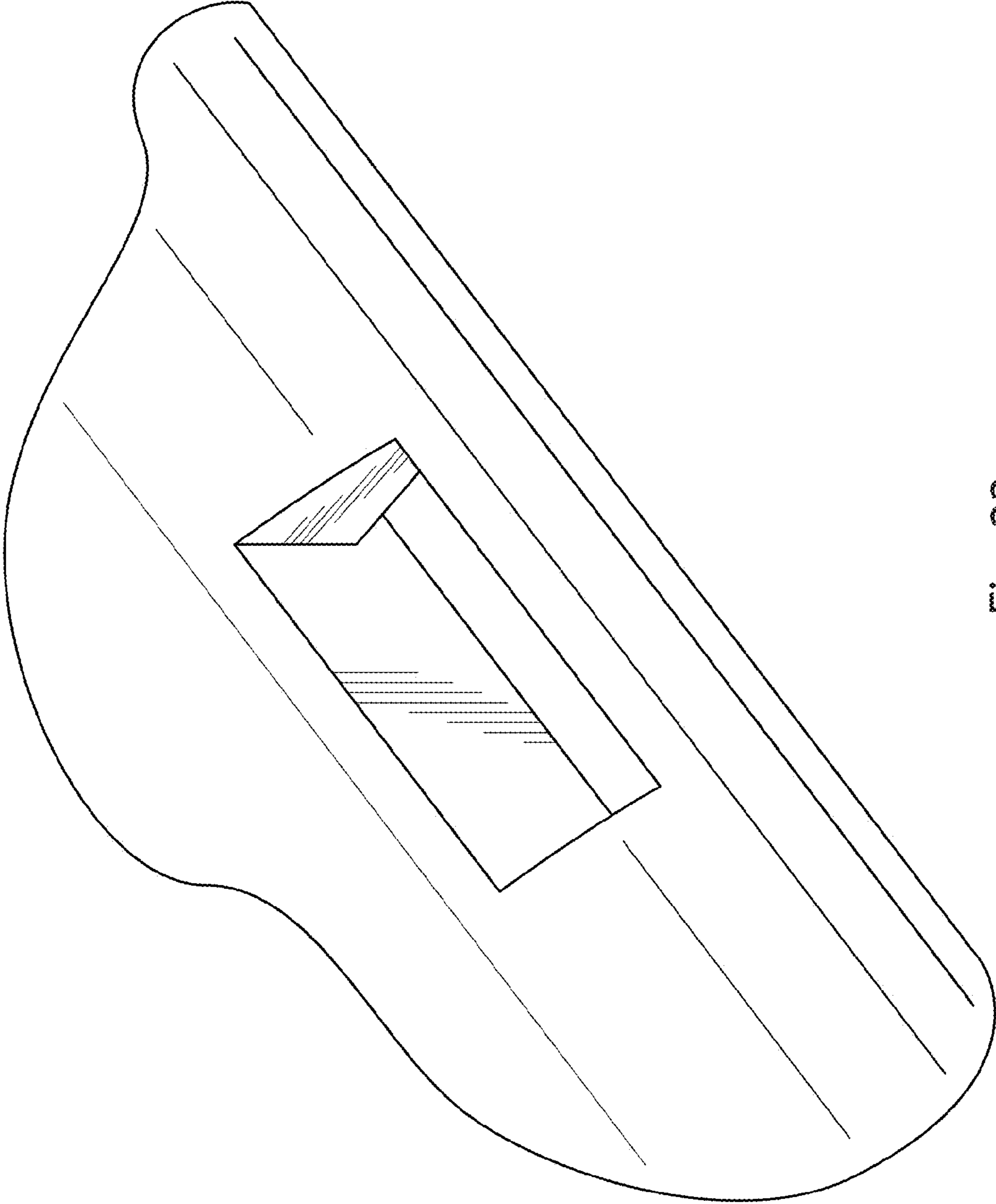


Fig. 23

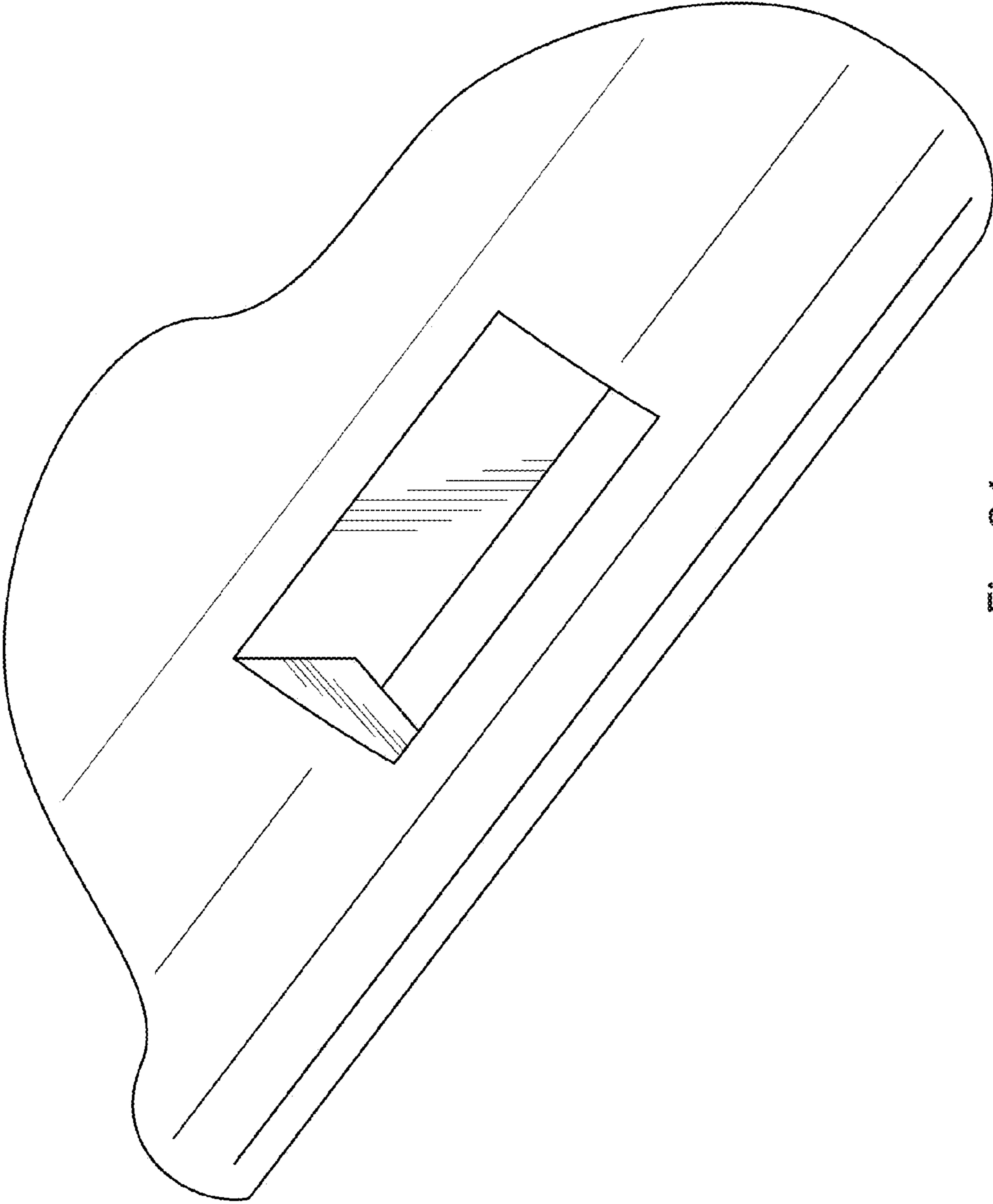


Fig. 24

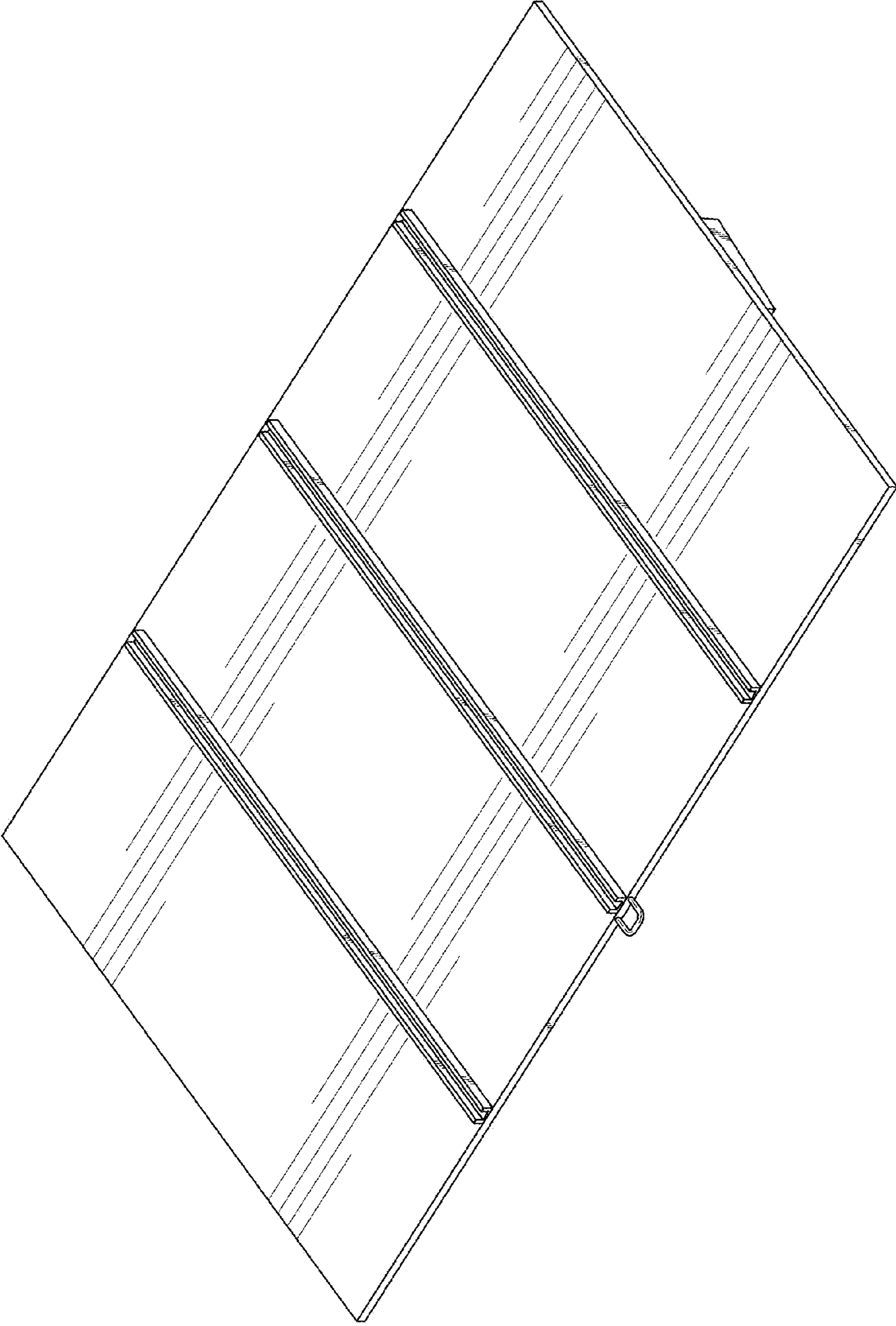


Fig. 25

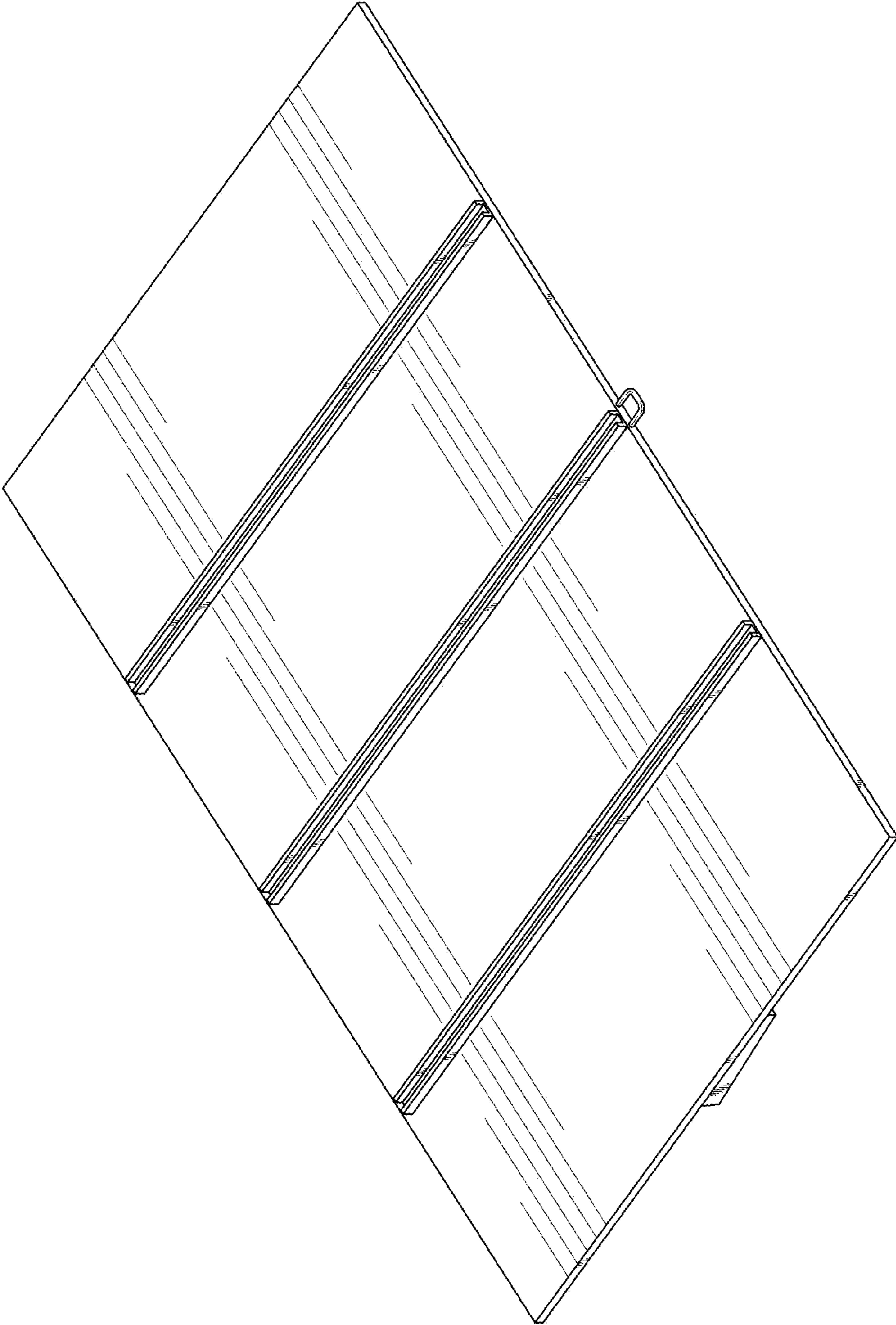


Fig. 26

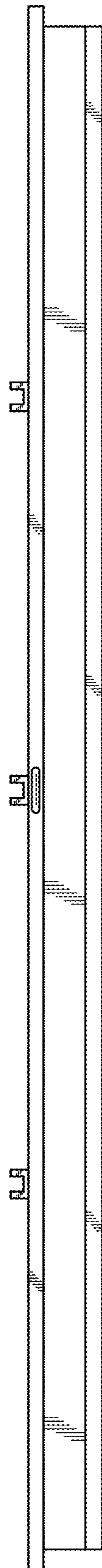


Fig. 27

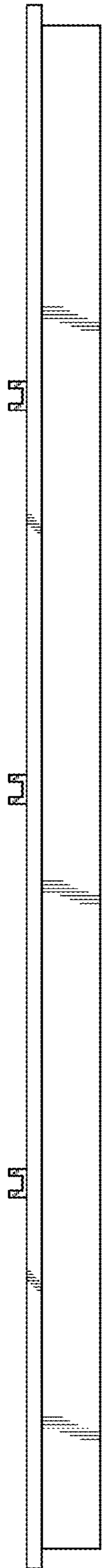


Fig. 28

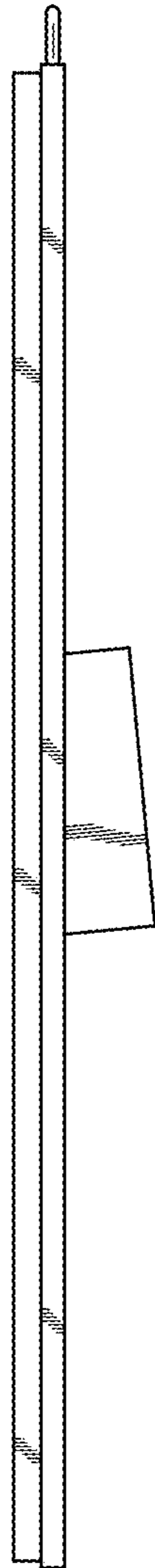


Fig. 29

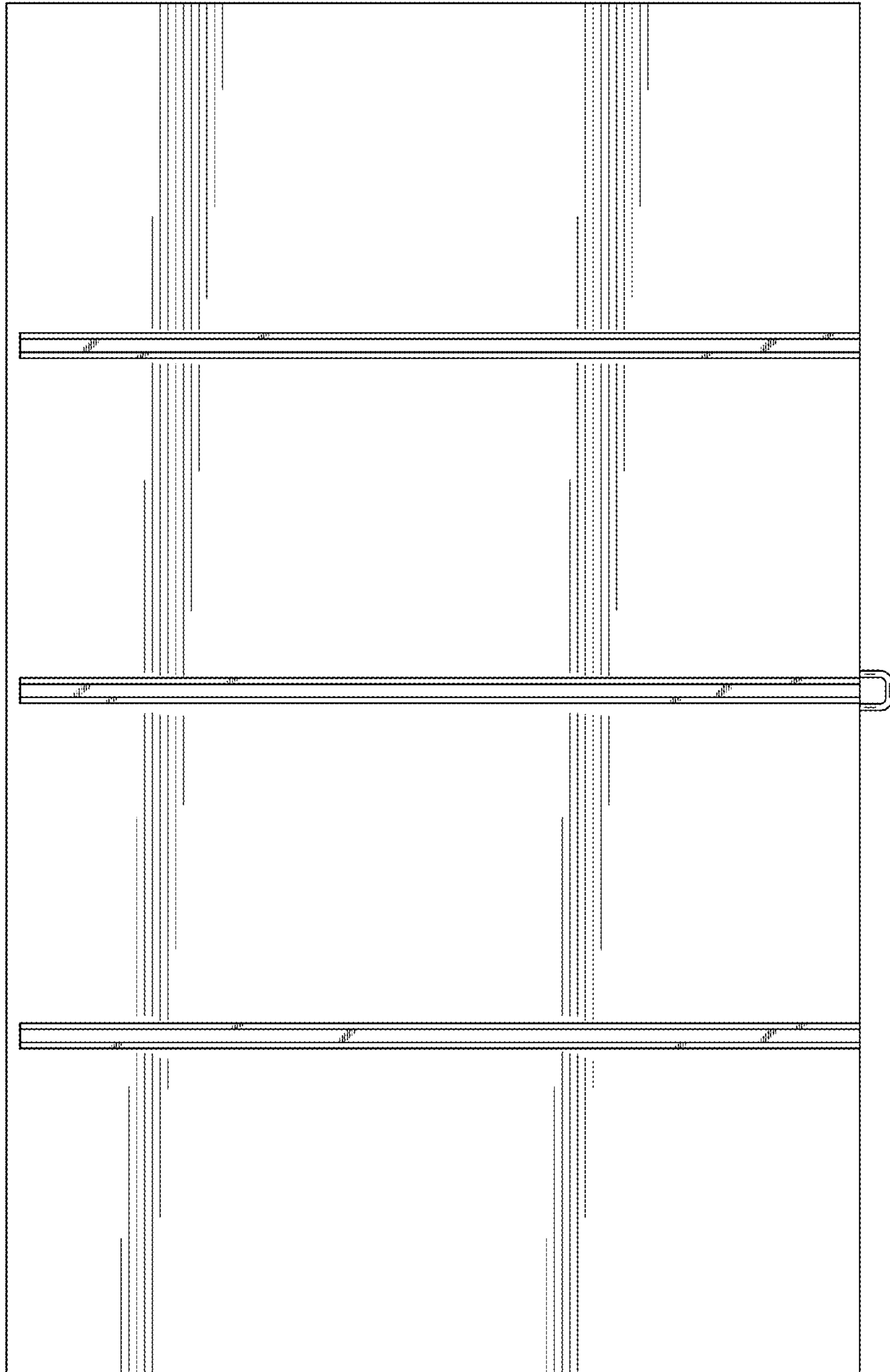


Fig. 30

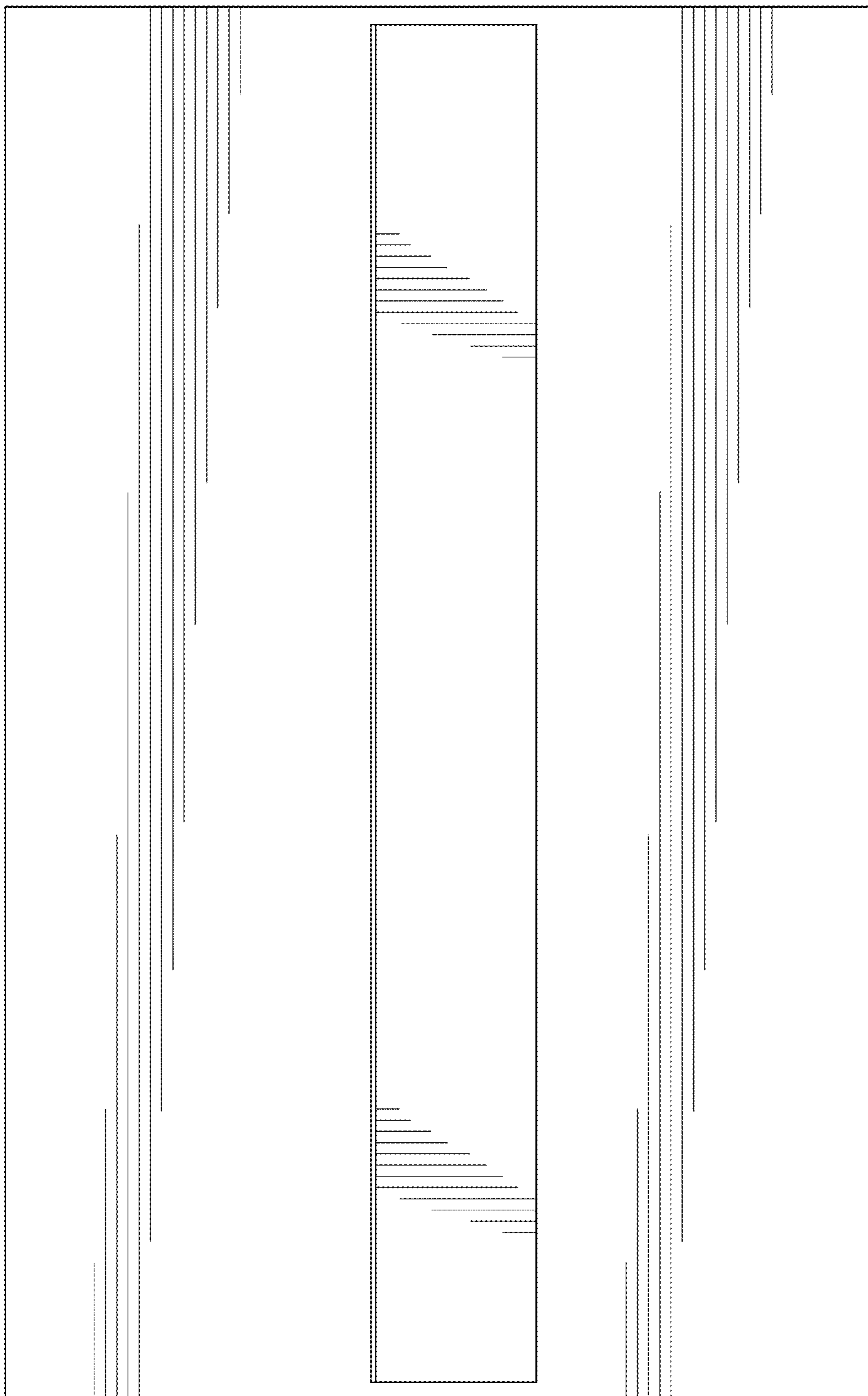


Fig. 31