



US00D740050S

(12) **United States Design Patent**
Jalbert et al.

(10) **Patent No.:** **US D740,050 S**
(45) **Date of Patent:** **** Oct. 6, 2015**

- (54) **PAD**
- (71) Applicant: **Euro-Pro Operating LLC**, Newton, MA (US)
- (72) Inventors: **David Jalbert**, Coventry, RI (US);
Bastin B. Antonisami, Westford, MA (US)
- (73) Assignee: **SharkNinja Operating LLC**, Newton, MA (US)

4,685,167 A	8/1987	Murray	
4,709,430 A *	12/1987	Nicoll	5/417
D302,058 S	7/1989	Brooks	
5,021,277 A *	6/1991	Fan	428/76
5,099,532 A *	3/1992	Thomas et al.	5/484
5,177,831 A	1/1993	Wirth	
5,293,660 A	3/1994	Park	
5,377,378 A	1/1995	Cutler	
D358,238 S	5/1995	Barnett	
D358,520 S *	5/1995	Yamanaka	D6/583
5,419,015 A *	5/1995	Garcia	15/228

(Continued)

(**) Term: **14 Years**

FOREIGN PATENT DOCUMENTS

- (21) Appl. No.: **29/447,271**
- (22) Filed: **Mar. 1, 2013**
- (51) **LOC (10) Cl.** **06-11**
- (52) **U.S. Cl.**
USPC **D6/582**
- (58) **Field of Classification Search**
USPC D6/582, 583, 588, 589, 591, 592, 613,
D6/615, 619, 620, 621; D5/26, 47;
D32/40; 4/581, 582, 583; 5/417, 420;
108/90; 296/97.23; 428/80, 83, 85, 91
See application file for complete search history.

GB	399174	9/1933
GB	473362	10/1937
GB	1023556	3/1966

Primary Examiner — Karen S Acker

(56) **References Cited**

U.S. PATENT DOCUMENTS

1,146,668 A	7/1915	Tanaka	
2,299,300 A *	10/1942	Bjornson	66/170
2,926,370 A	3/1960	Wessel	
3,066,344 A	12/1962	Borrás et al.	
3,284,273 A *	11/1966	Prentice	428/76
3,593,359 A	7/1971	Strauss	
3,737,938 A *	6/1973	Saltzstein	15/231
3,792,505 A	2/1974	Saltzstein	
D245,473 S	8/1977	Heninger	
4,278,719 A *	7/1981	Sarnecki	428/78
4,353,944 A *	10/1982	Tarui	428/74
4,634,618 A *	1/1987	Greer et al.	428/81
D290,144 S *	6/1987	Bruce	D21/795

(74) *Attorney, Agent, or Firm* — Wolf, Greenfield & Sacks, P.C.

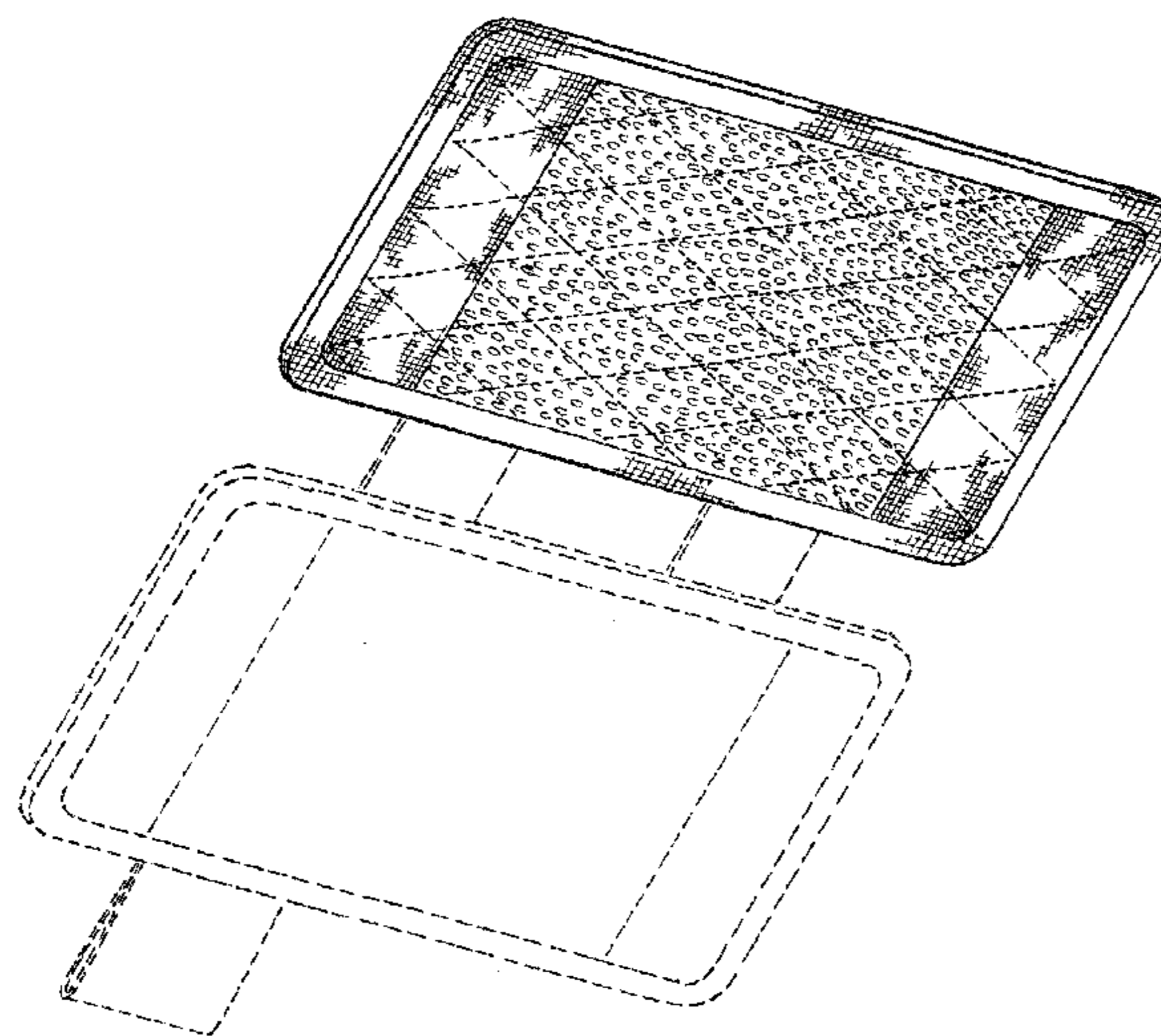
(57) **CLAIM**

The ornamental design for a pad, as shown and described.

DESCRIPTION

FIG. 1 is a bottom, front, side perspective view of a pad showing our new design.
 FIG. 2 is a top plan view thereof;
 FIG. 3 is a bottom plan view thereof;
 FIG. 4 is a front elevational view thereof;
 FIG. 5 is a rear elevational view thereof;
 FIG. 6 is a right side elevational view thereof; and,
 FIG. 7 is a left side elevational view thereof.
 The diagonal broken lines within the solid line boundaries shown in FIGS. 1 and 3 represent stitching that is part of the claimed design. The dash-dot-dash broken lines shown in FIG. 2 define boundaries of the pad and form no part thereof. All other broken lines in FIGS. 1-7 represent unclaimed portions of the pad and form no part of the claimed design.

1 Claim, 4 Drawing Sheets



(56)

References Cited

U.S. PATENT DOCUMENTS

5,511,271 A 4/1996 Shishido et al.
 D391,715 S 3/1998 Irwin et al.
 D406,424 S 3/1999 Daniels
 D426,039 S 5/2000 Tintelnot et al.
 6,101,661 A * 8/2000 Policicchio et al. 15/228
 D435,948 S 1/2001 Long
 D455,929 S * 4/2002 Tweel D6/617
 D471,334 S 3/2003 Reede
 6,651,290 B2 11/2003 Kingry et al.
 6,899,940 B2 * 5/2005 Leriget 428/68
 7,155,768 B2 1/2007 Morita et al.
 D556,260 S 11/2007 Starr
 D560,868 S 1/2008 So
 D575,918 S 8/2008 Rosenzweig et al.
 D626,302 S 10/2010 Kaminer et al.
 D626,711 S 11/2010 Kaminer et al.
 D653,070 S 1/2012 Powell
 8,133,991 B2 * 3/2012 Nonomura et al. 536/124
 8,201,296 B2 6/2012 Mayer
 D666,860 S * 9/2012 Lubart D6/583
 D669,648 S 10/2012 Bilger et al.
 D674,640 S 1/2013 Knoll

D685,544 S 7/2013 Clarke
 8,500,211 B2 8/2013 Lindblad
 8,505,551 B2 8/2013 Moretti
 D692,631 S 10/2013 Pung et al.
 D716,512 S 10/2014 Layevsky
 D724,349 S 3/2015 Jalbert et al.
 2001/0023159 A1 * 9/2001 Chen et al. 442/394
 2003/0044569 A1 3/2003 Kacher et al.
 2003/0172480 A1 9/2003 Ueda et al.
 2006/0191557 A1 * 8/2006 Rosenzweig et al. 134/6
 2006/0200927 A1 9/2006 Kacher et al.
 2007/0107151 A1 5/2007 Pung et al.
 2008/0145593 A1 * 6/2008 Tsai 428/91
 2008/0166176 A1 * 7/2008 Rees et al. 401/196
 2009/0158544 A1 6/2009 Pagani
 2009/0241978 A1 * 10/2009 Moretti 132/200
 2010/0147329 A1 6/2010 Leymonerie
 2010/0263152 A1 10/2010 Wildeman
 2010/0272948 A1 * 10/2010 Kaminer et al. 428/100
 2012/0042462 A1 2/2012 Milanese et al.
 2012/0151703 A1 6/2012 Chow
 2014/0069337 A1 * 3/2014 Dunford 119/28.5
 2014/0245551 A1 9/2014 Jalbert et al.
 2014/0245556 A1 9/2014 Kaminer et al.
 2014/0246048 A1 9/2014 Jalbert et al.

* cited by examiner

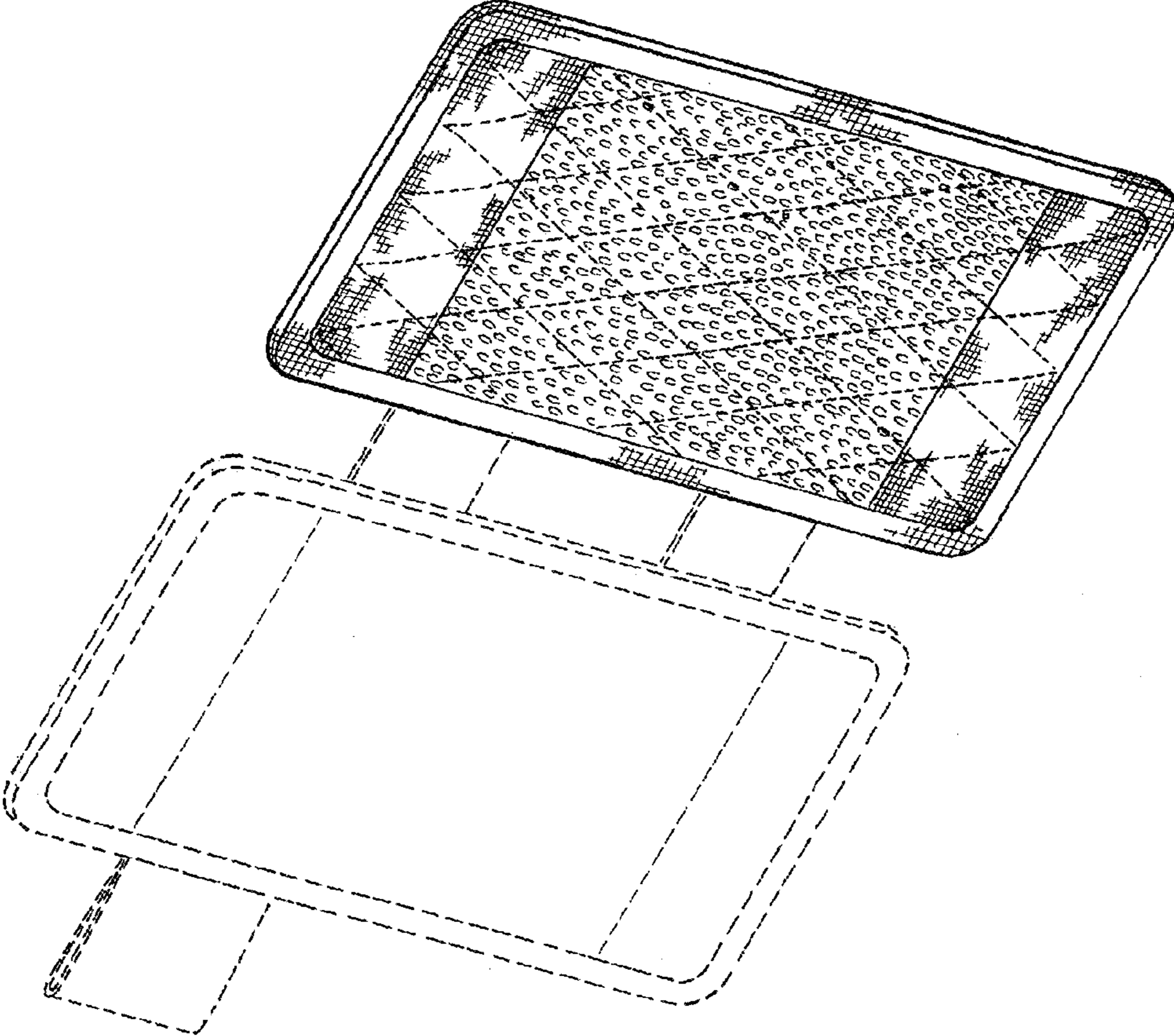


Fig. 1

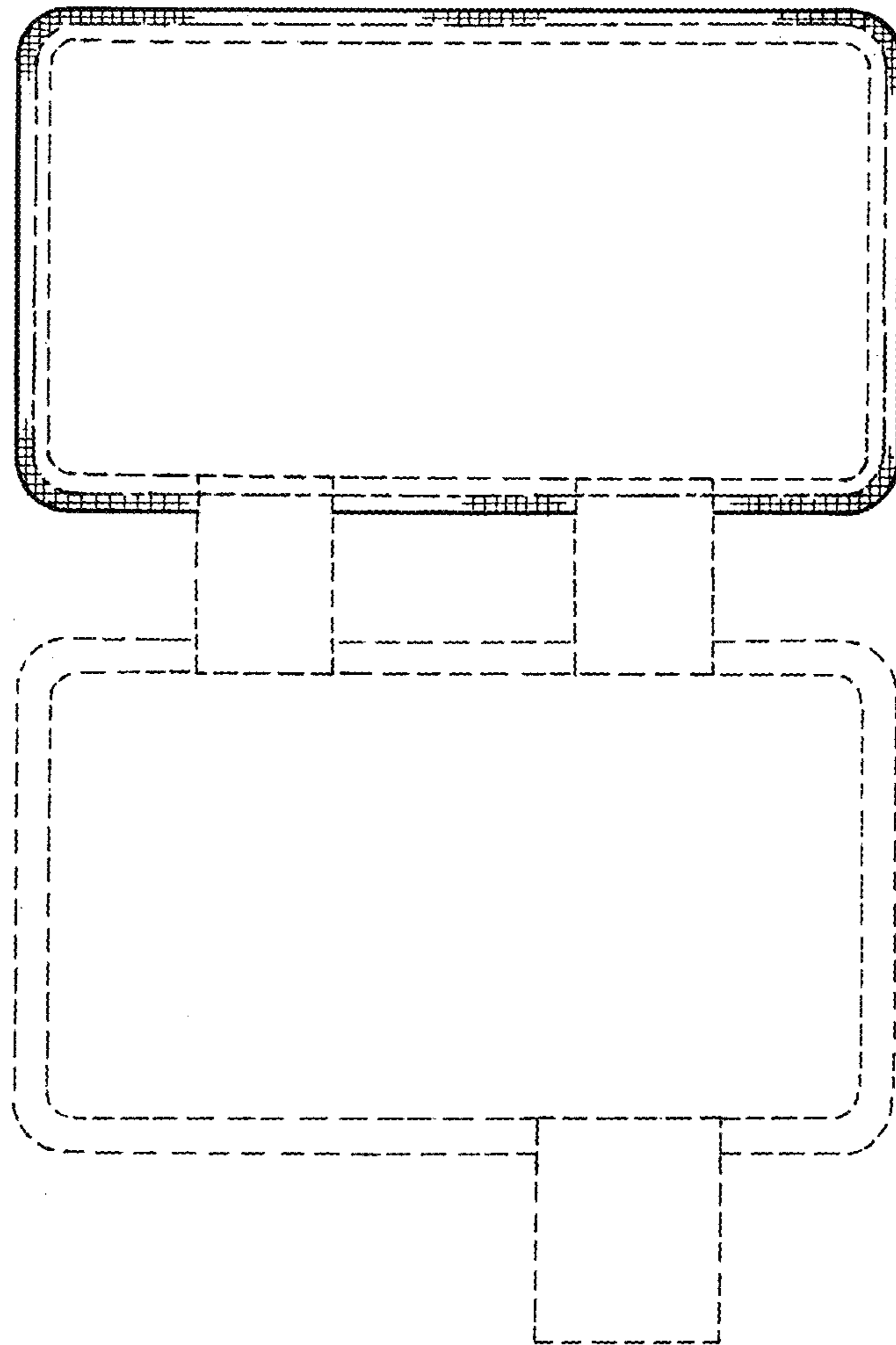


Fig. 2

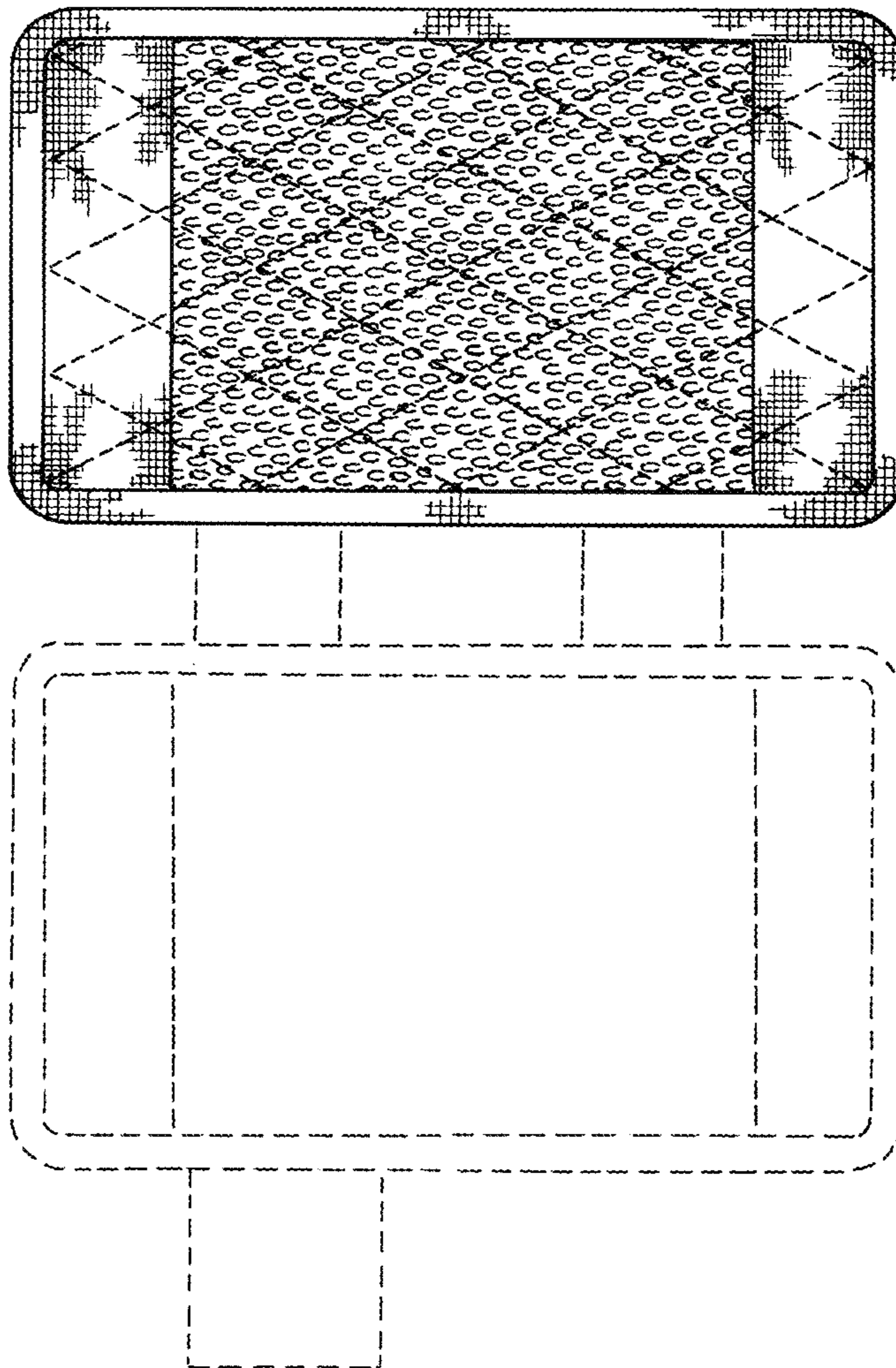


Fig. 3

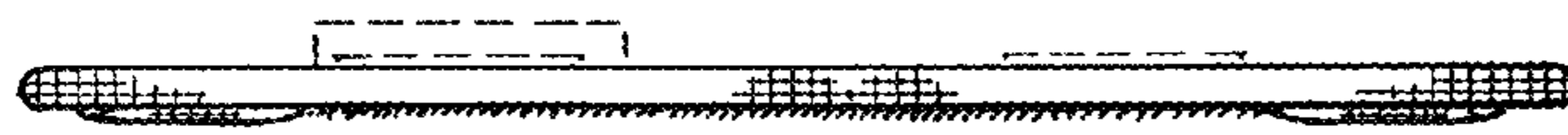


Fig. 4

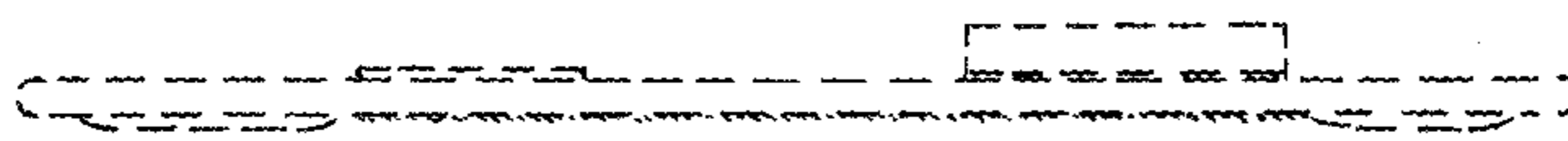


Fig. 5

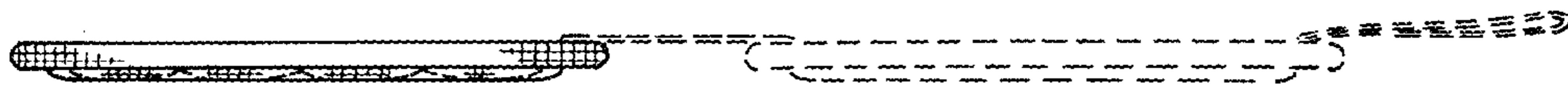


Fig. 6

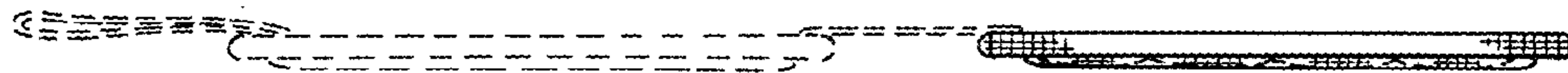


Fig. 7