



US00D740044S

(12) **United States Design Patent**
Brown et al.

(10) **Patent No.:** **US D740,044 S**
(45) **Date of Patent:** **** Oct. 6, 2015**

(54) **CHAIR**

(71) Applicant: **HNI Technologies Inc.**, Muscatine, IA (US)

(72) Inventors: **Trevor Brown**, Salem, IN (US); **Jeremy Foreman**, Bedford, IN (US)

(73) Assignee: **HNI Technologies Inc.**, Muscatine, IA (US)

(**) Term: **14 Years**

(21) Appl. No.: **29/493,230**

(22) Filed: **Jun. 6, 2014**

(51) **LOC (10) Cl.** **06-01**

(52) **U.S. Cl.**
USPC **D6/376**

(58) **Field of Classification Search**
USPC D6/334–336, 366, 368, 371, 372, 373, D6/374, 376, 716, 716.1, 716.2, 716.3, D6/716.4

CPC A47C 4/02; A47C 5/04; A47C 7/022; A47C 7/40; B60N 2/4673

See application file for complete search history.

(56) **References Cited**

U.S. PATENT DOCUMENTS

4,580,836 A 4/1986 Verney
4,869,552 A 9/1989 Tolleson et al.
6,739,663 B2 5/2004 Gevaert
6,779,846 B2 8/2004 Spendlove et al.
D498,602 S * 11/2004 Goodman D6/376
7,021,712 B2 4/2006 Spendlove et al.

D564,264 S * 3/2008 Smith et al. D6/716
7,775,600 B2 * 8/2010 Battey et al. 4/2
D664,785 S * 8/2012 Fletcher et al. D6/376
8,282,166 B2 10/2012 Piretti
D686,834 S * 7/2013 Mascetti et al. D6/376
D686,835 S * 7/2013 Mascetti et al. D6/376
D687,642 S * 8/2013 Hsuan-Chin D6/376
D715,069 S * 10/2014 Zhu D6/376

* cited by examiner

Primary Examiner — Mimoso De

(74) *Attorney, Agent, or Firm* — Faegre Baker Daniels LLP

(57) **CLAIM**

The ornamental design for a chair, as shown and described.

DESCRIPTION

FIG. 1 is a first, perspective view of a first embodiment of the chair.

FIG. 2 is a second, perspective view of the chair.

FIG. 3 is a top view of the chair.

FIG. 4 is a bottom view of the chair.

FIG. 5 is a front view of the chair.

FIG. 6 is a back view of the chair.

FIG. 7 is a side view of the chair, the opposite side view being identical thereto.

FIG. 8 is a first, perspective view of a second embodiment of the chair.

FIG. 9 is a second, perspective view of the chair.

FIG. 10 is a top view of the chair.

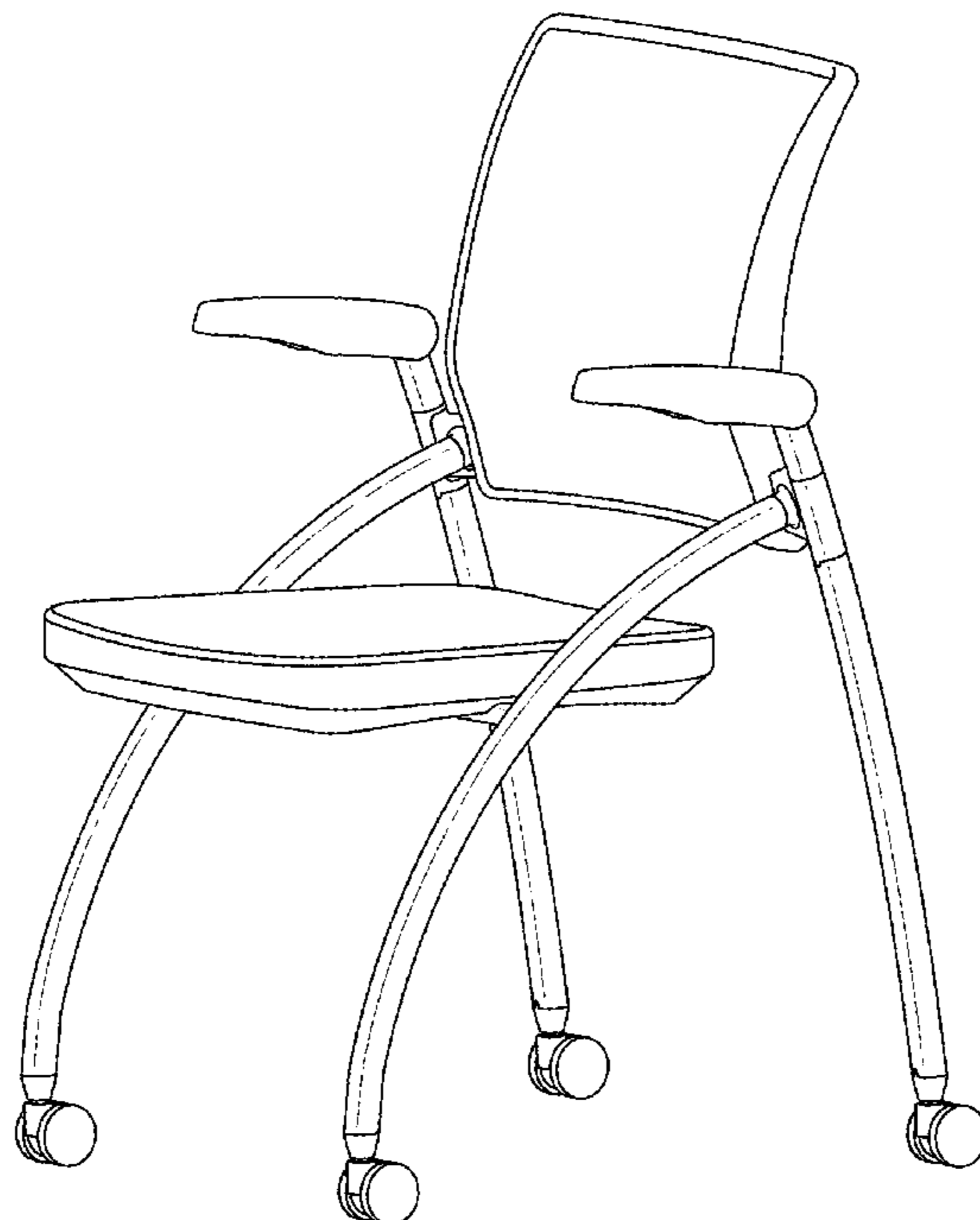
FIG. 11 is a bottom view of the chair.

FIG. 12 is a front view of the chair.

FIG. 13 is a back view of the chair; and,

FIG. 14 is a side view of the chair, the opposite side view being identical thereto.

1 Claim, 14 Drawing Sheets



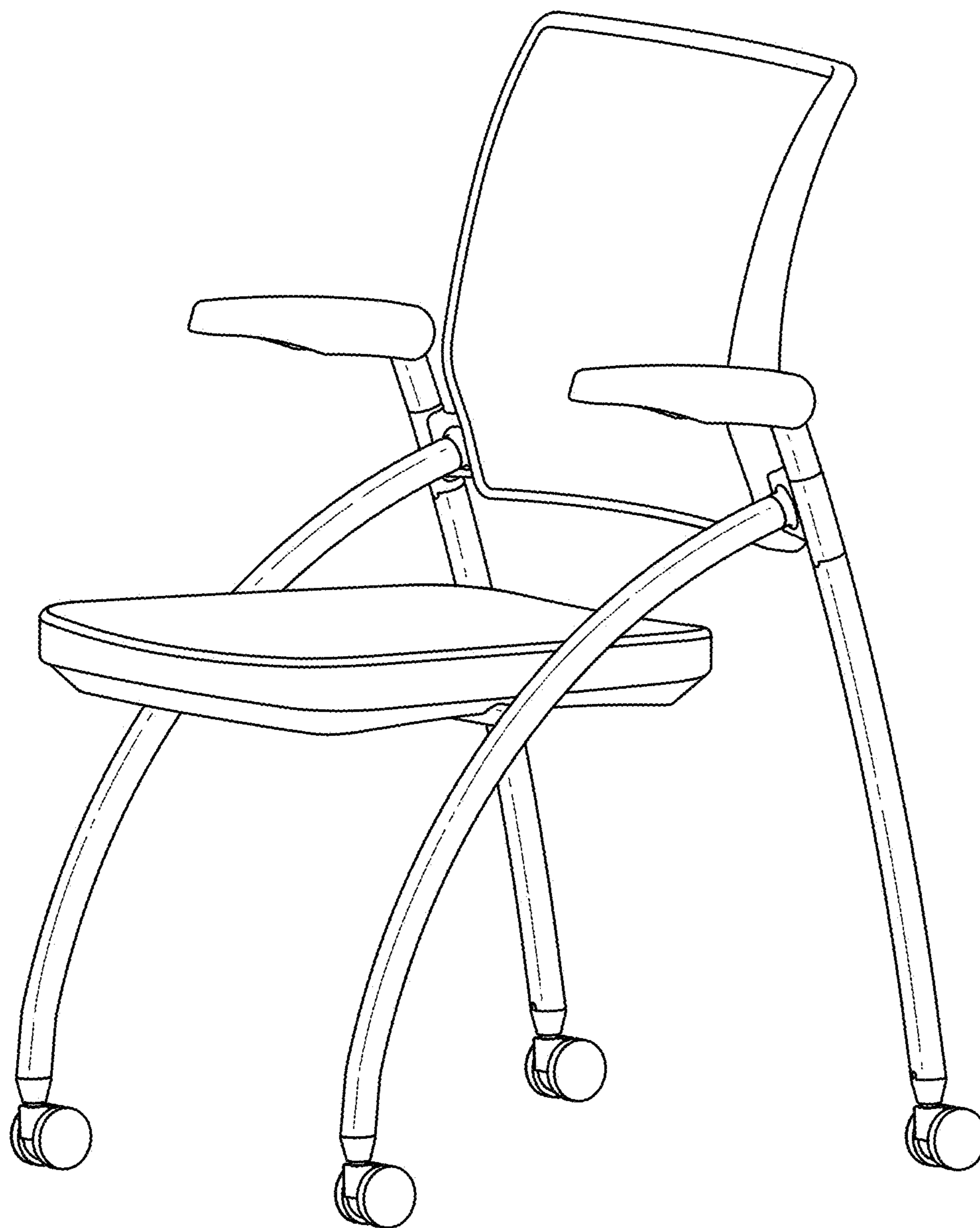


FIG. 1

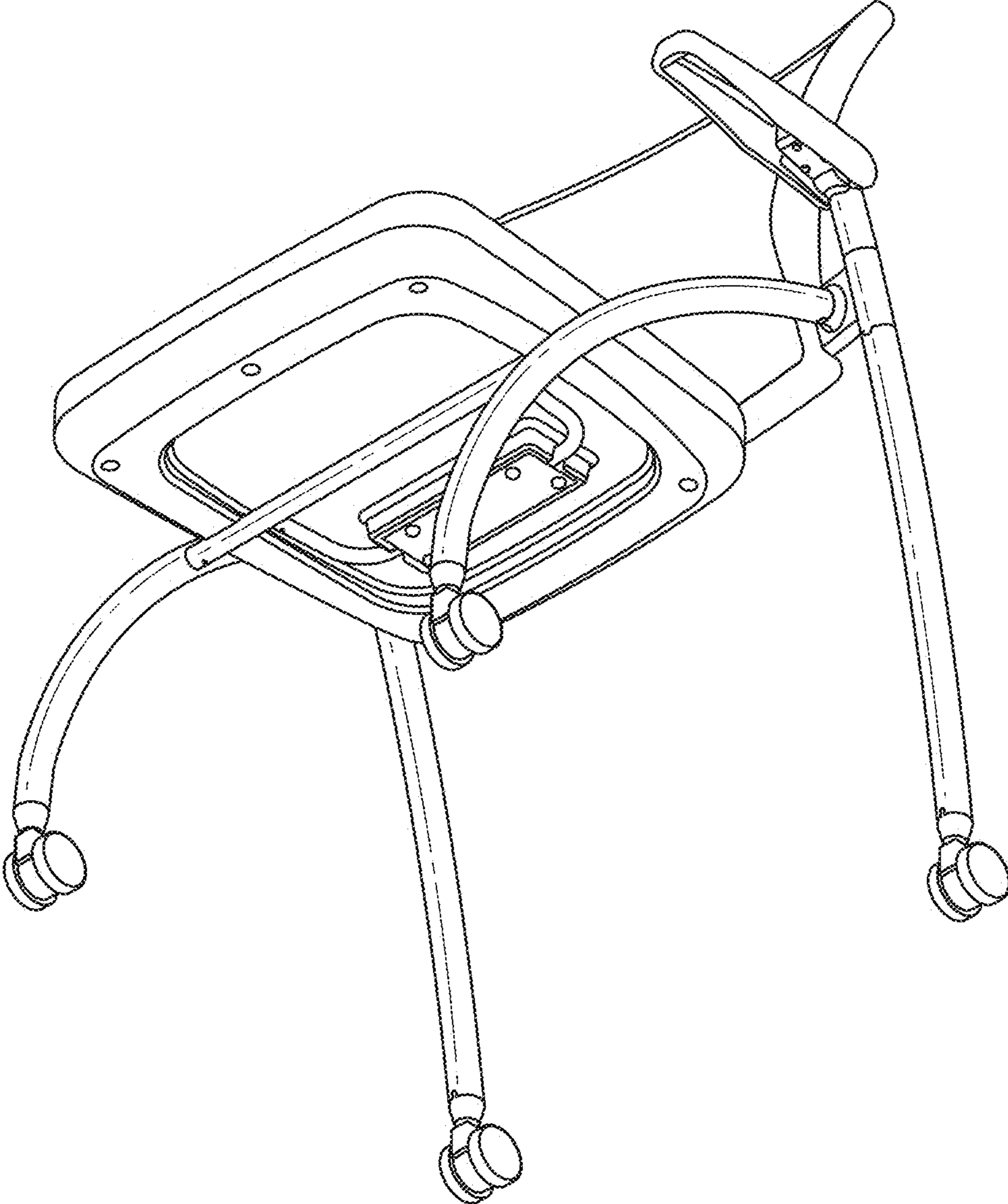


FIG. 2

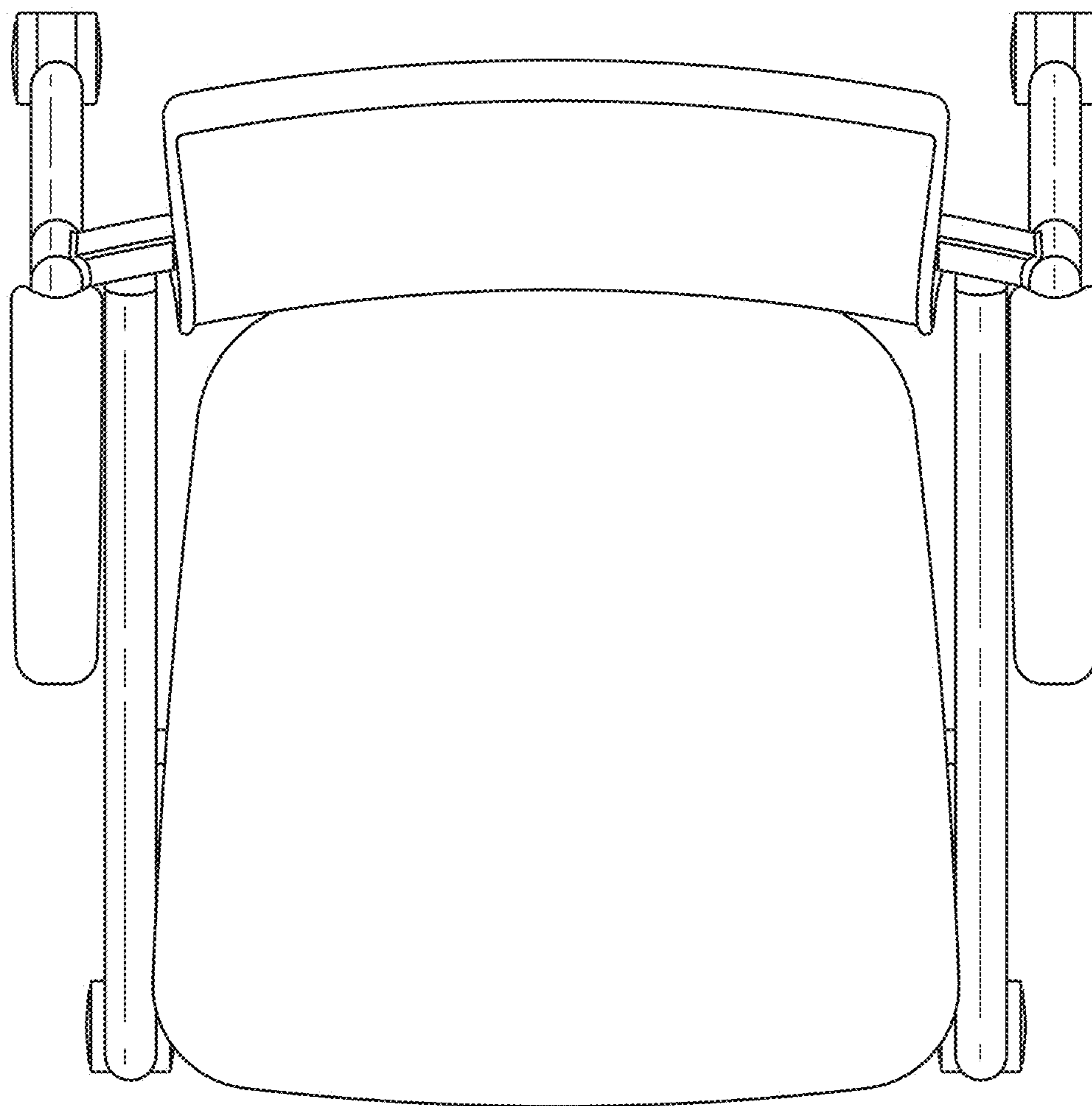


FIG. 3

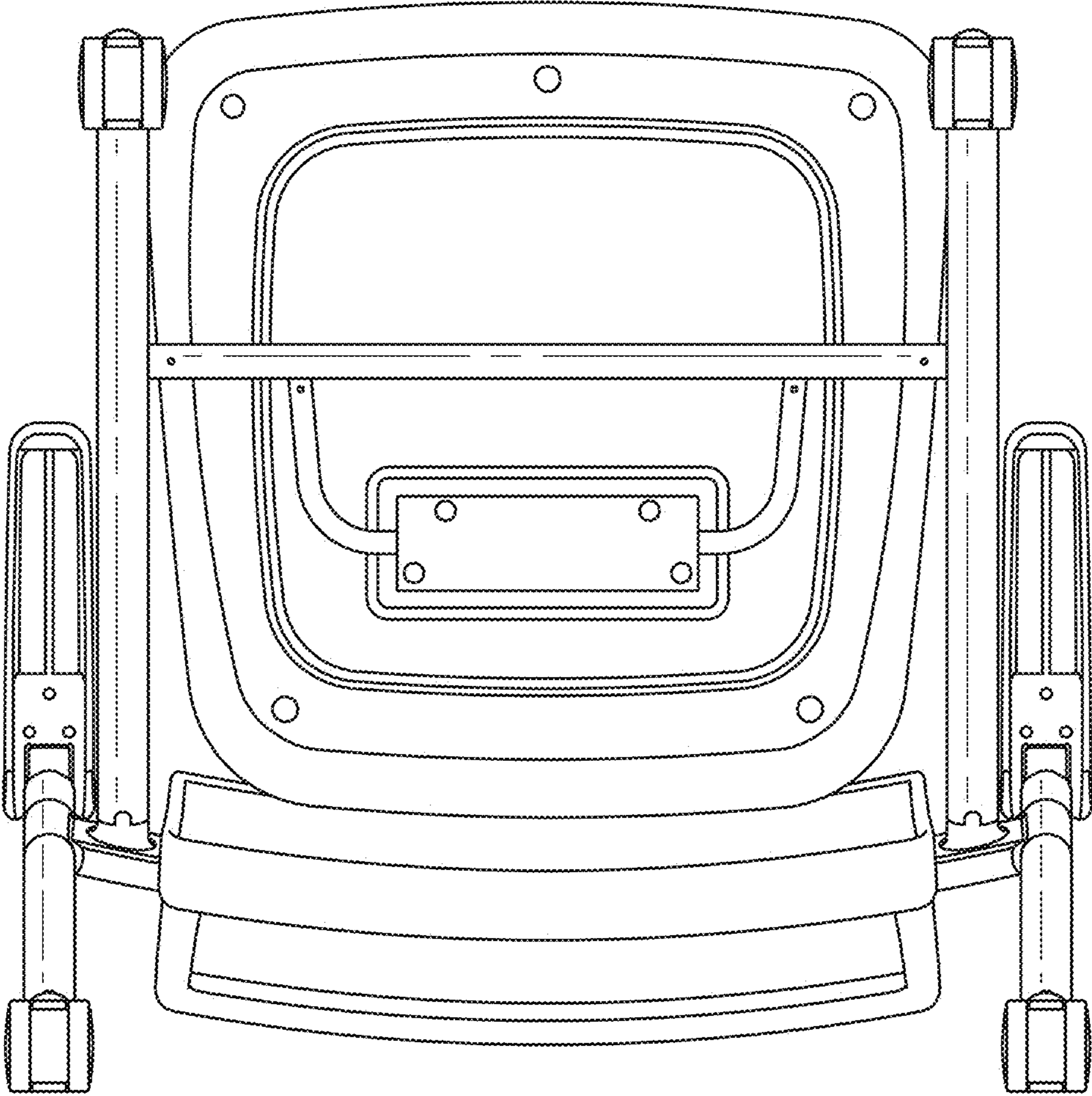


FIG. 4

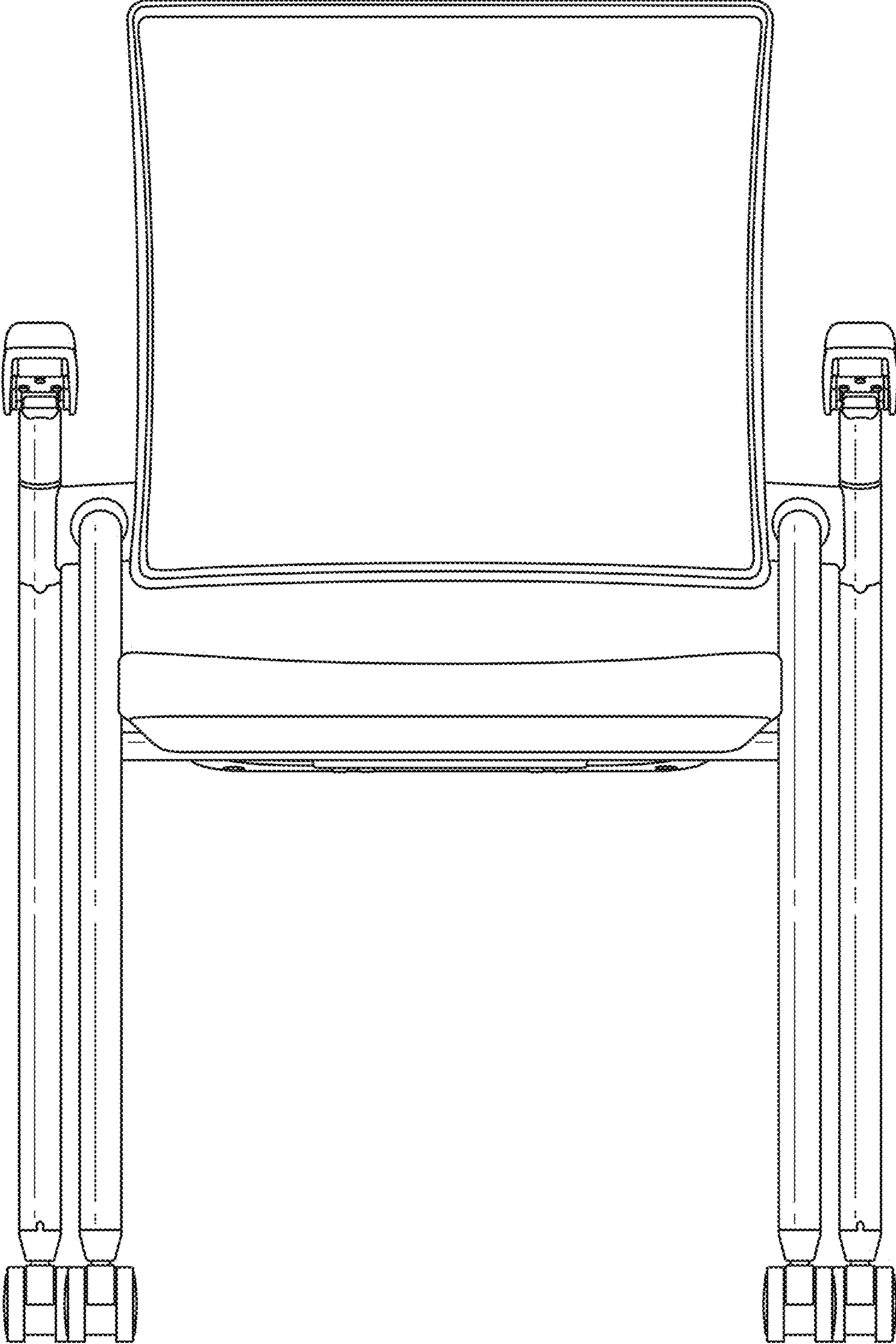


FIG. 5

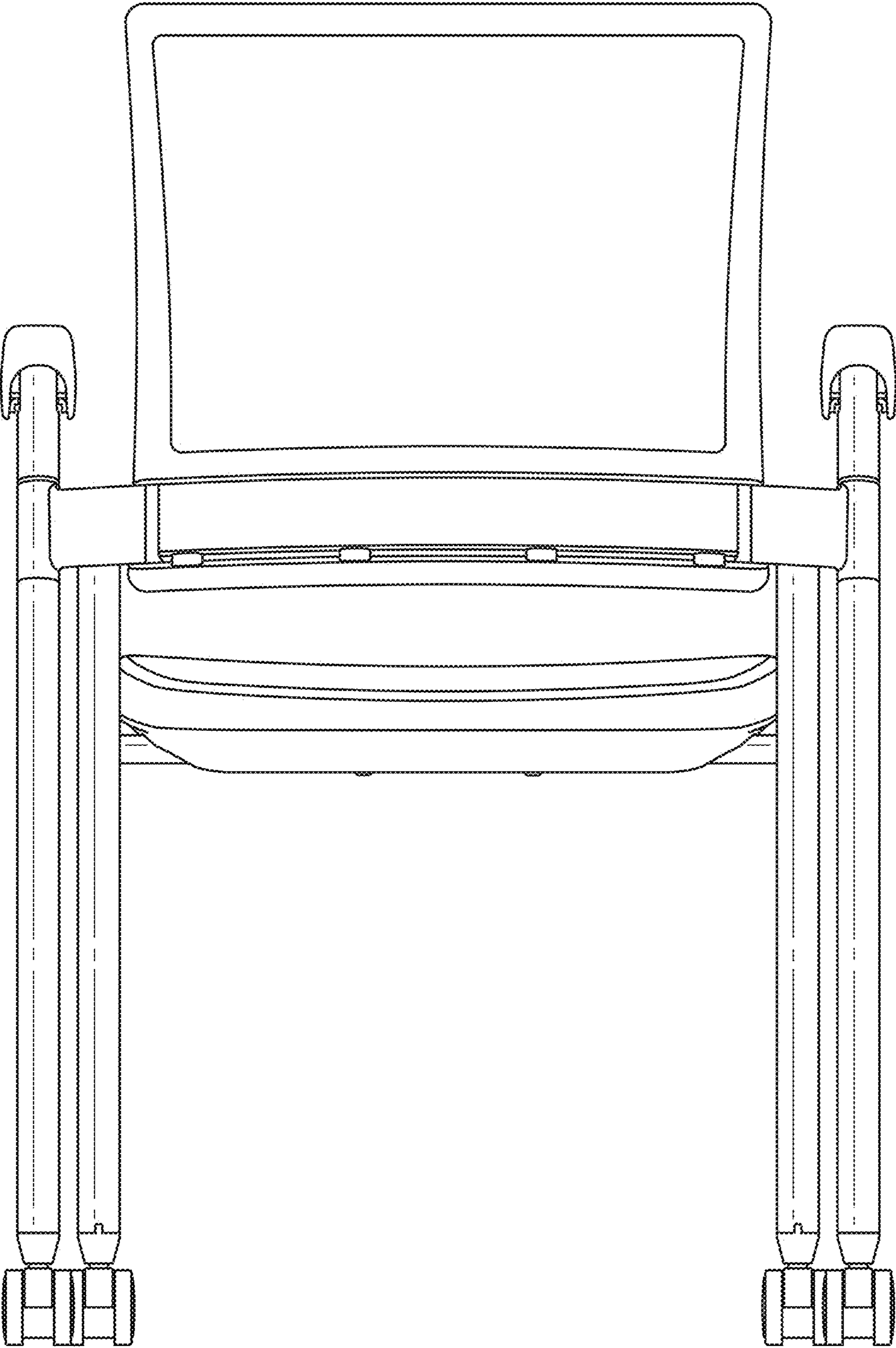


FIG. 6

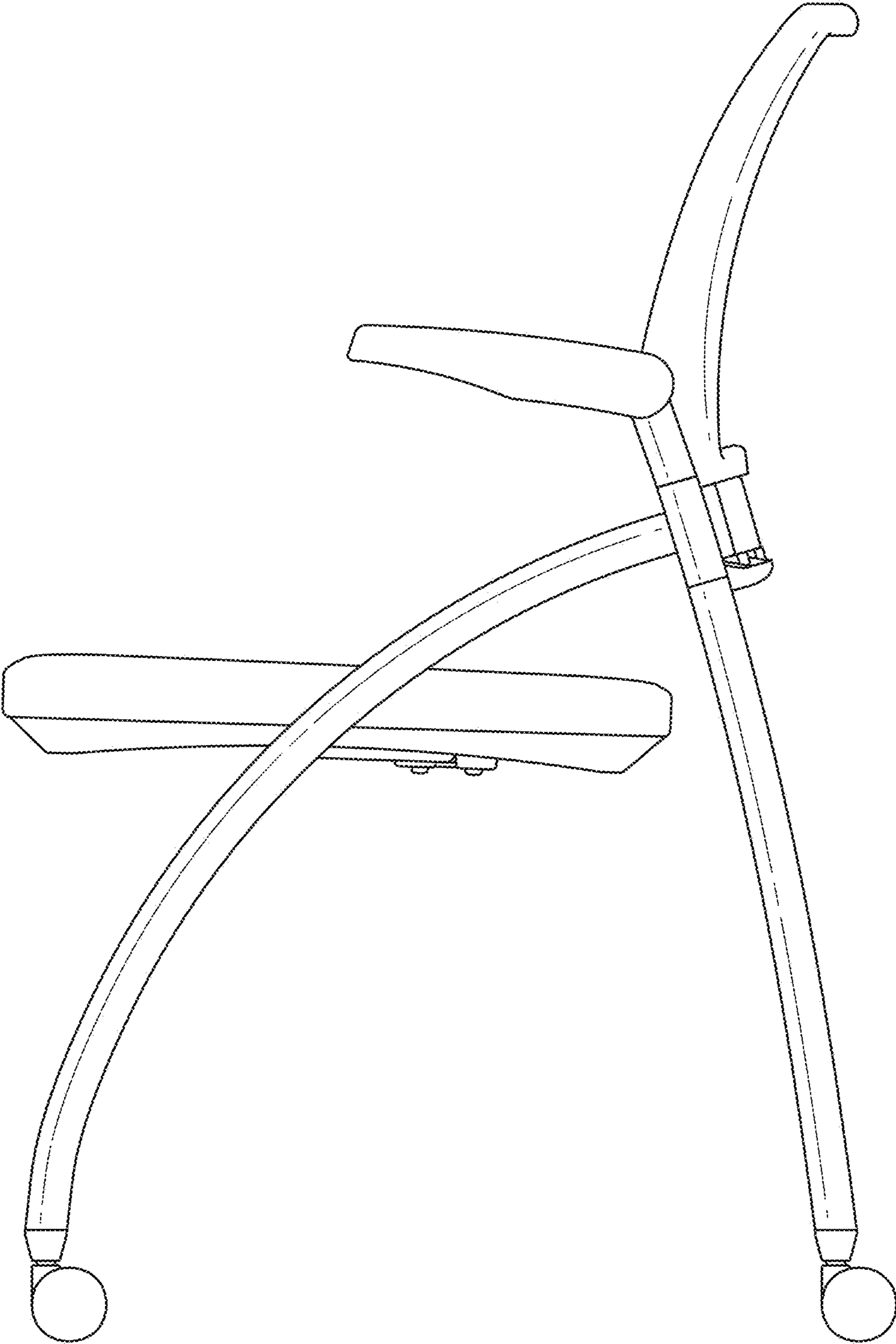


FIG. 7

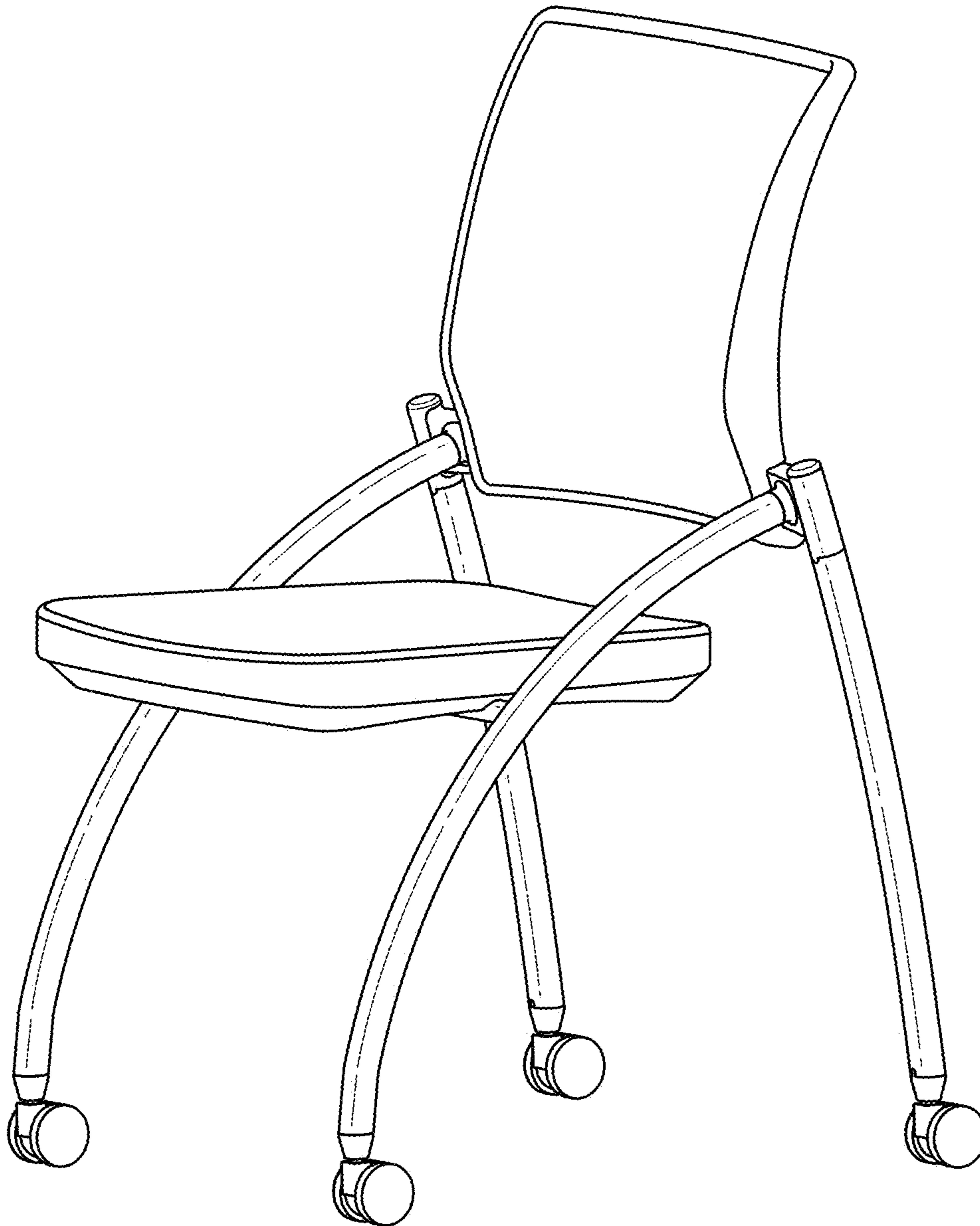


FIG. 8

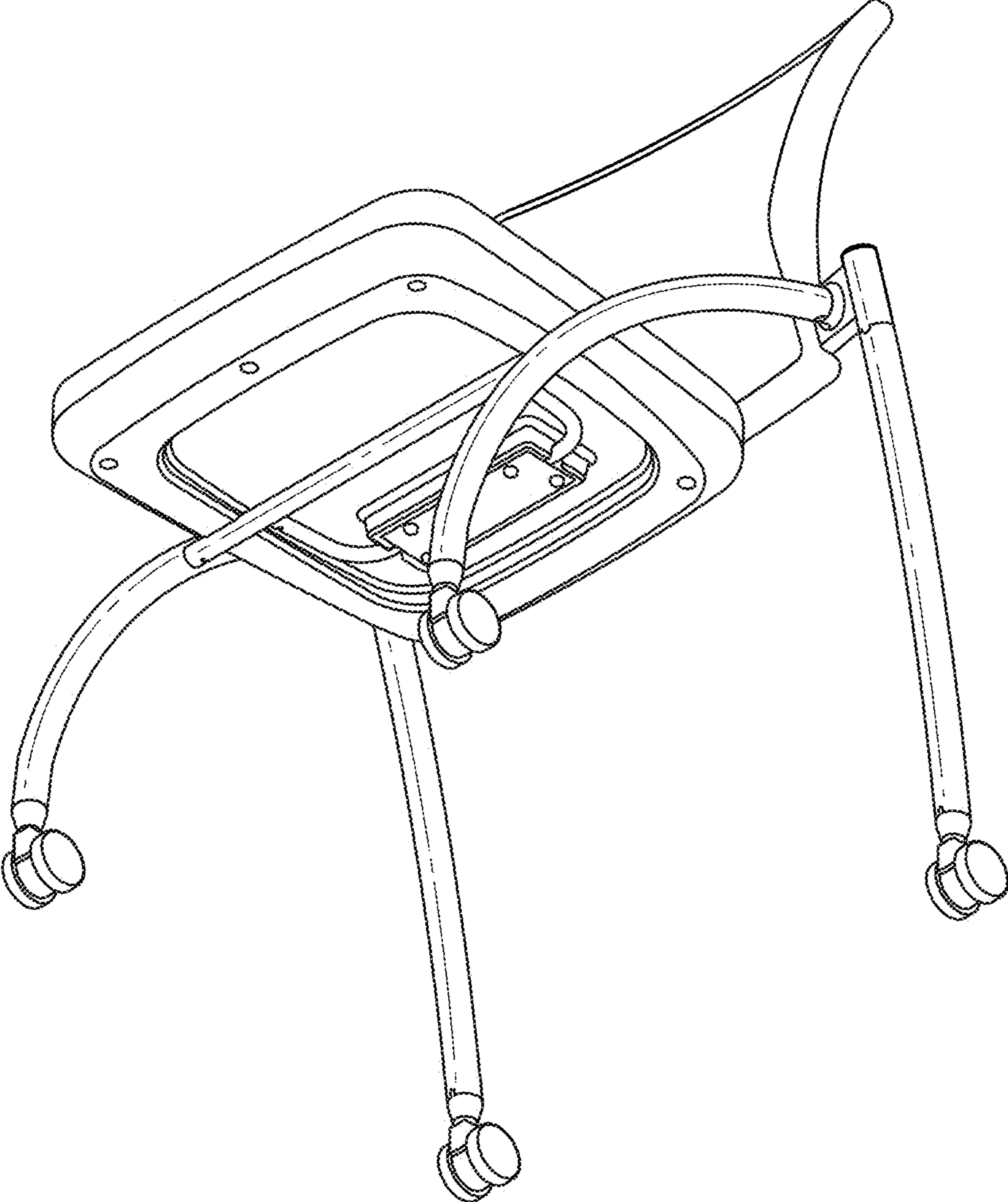


FIG. 9

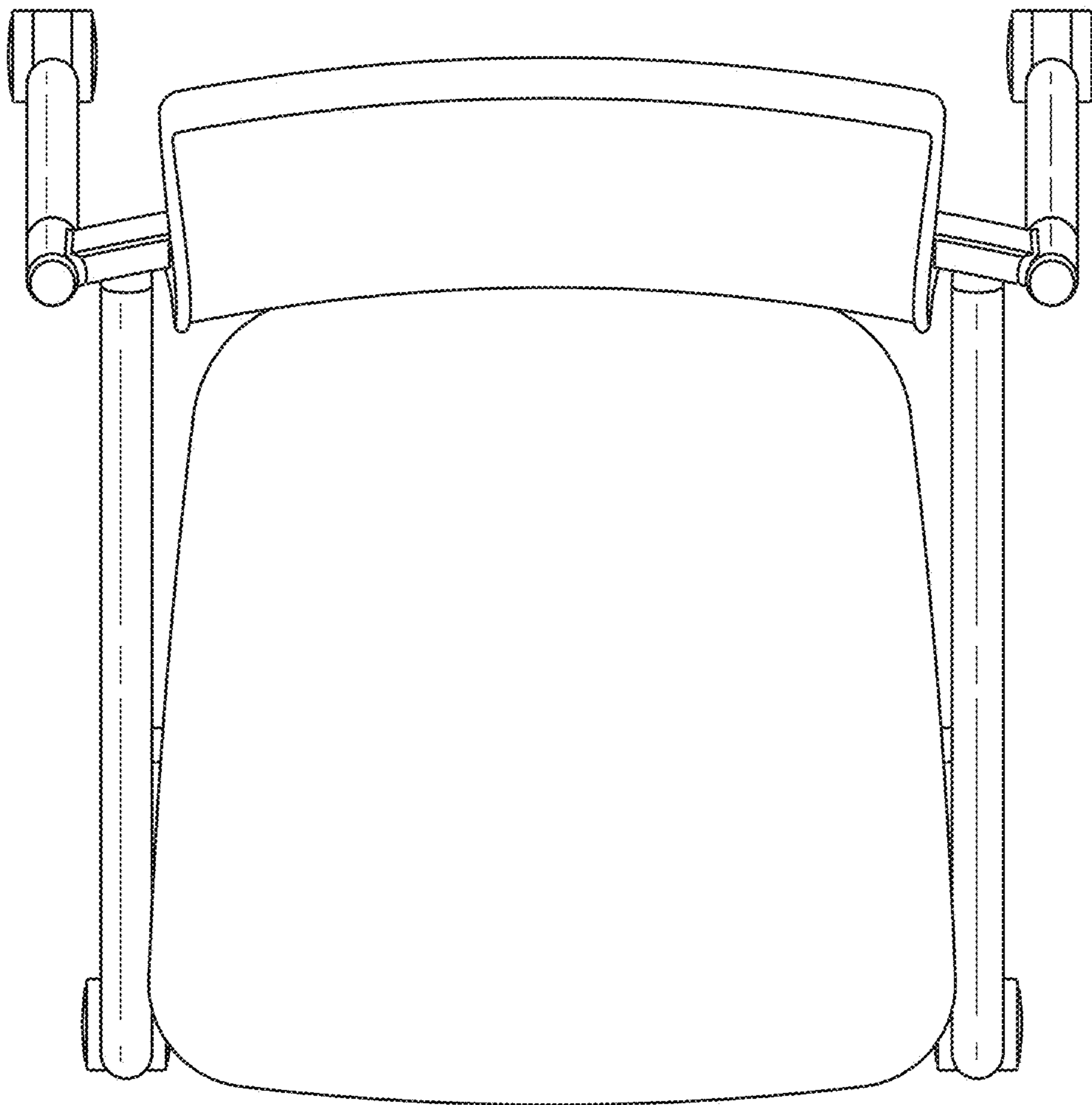


FIG. 10

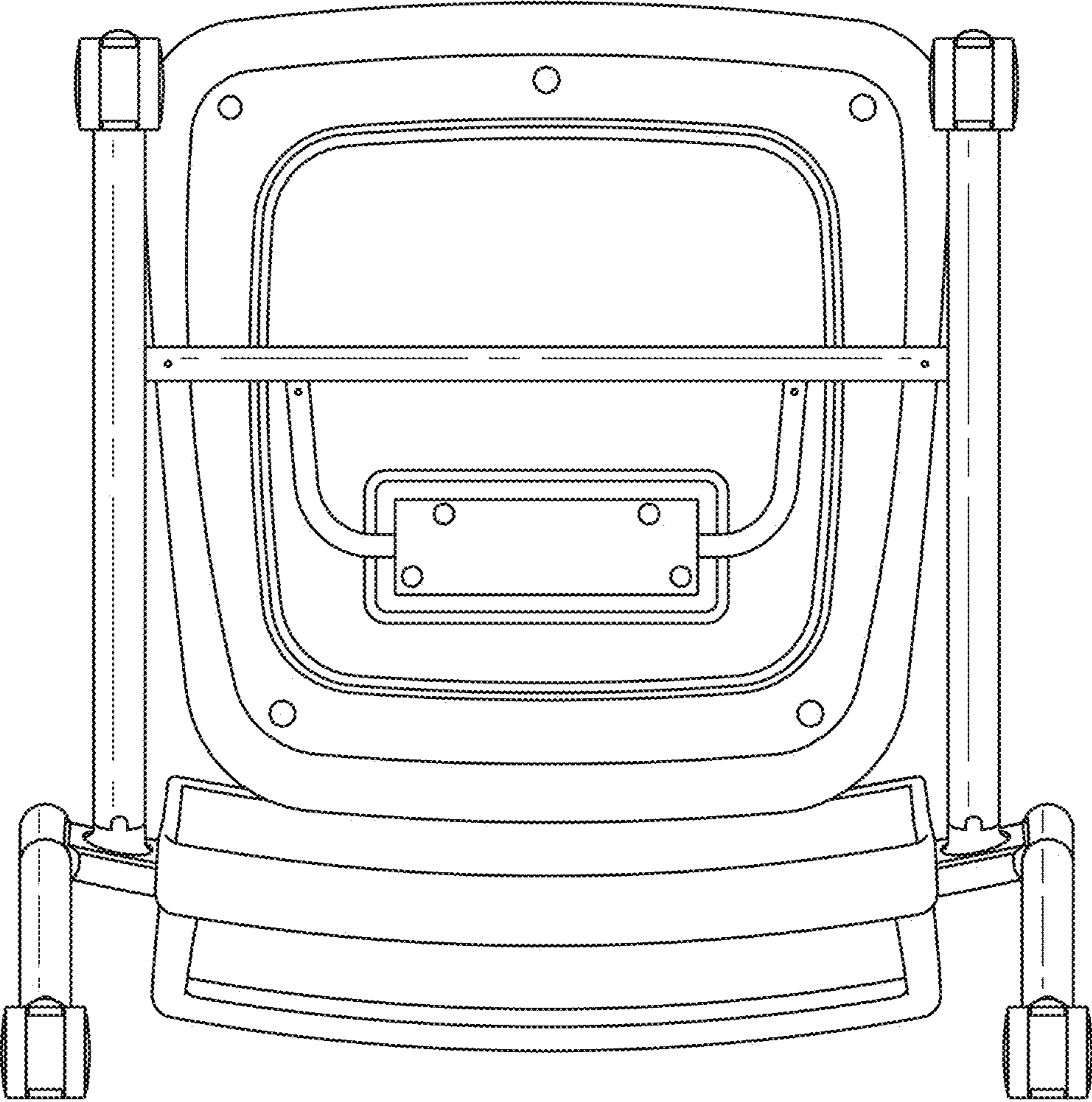


FIG. 11

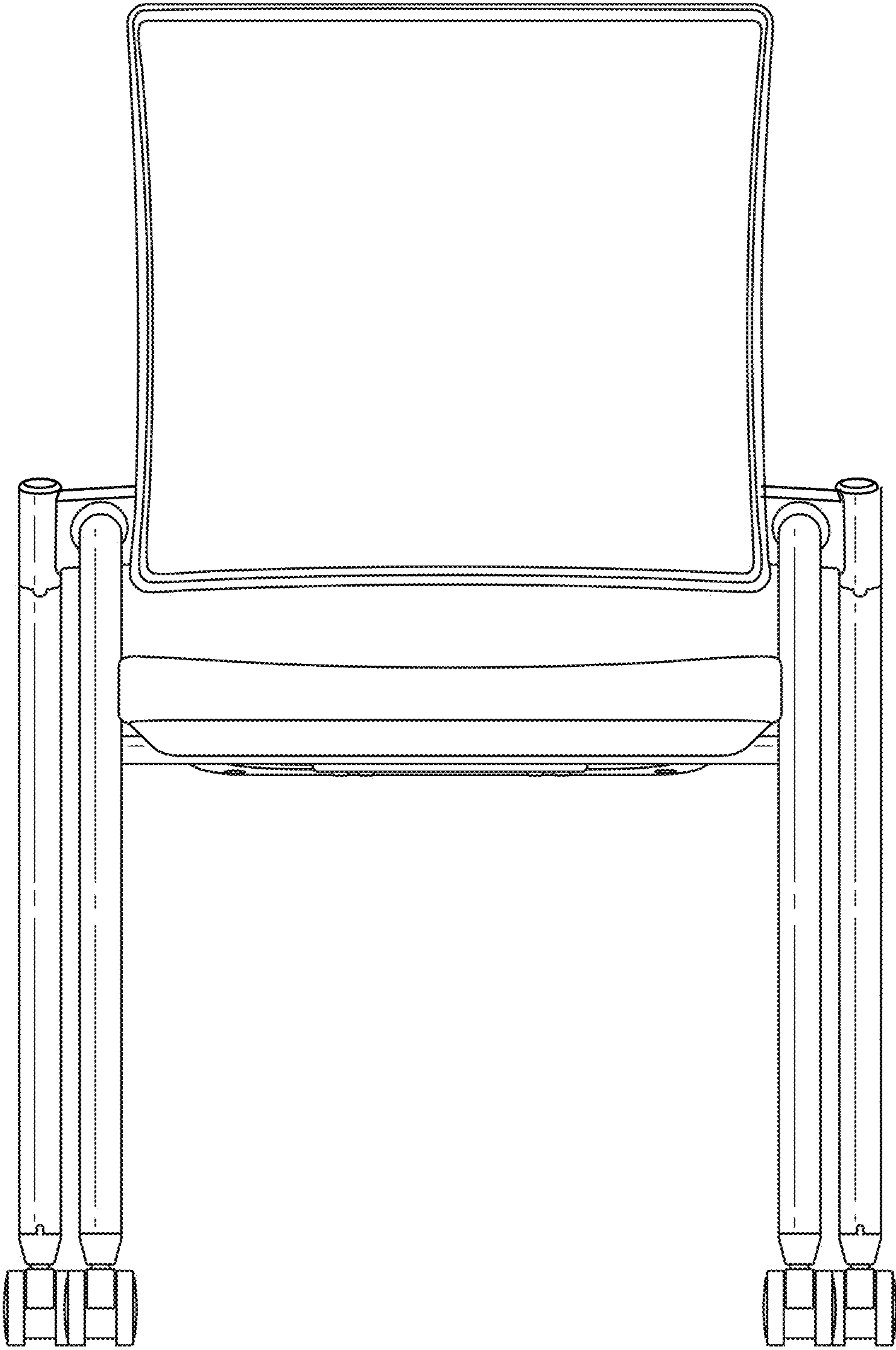


FIG. 12

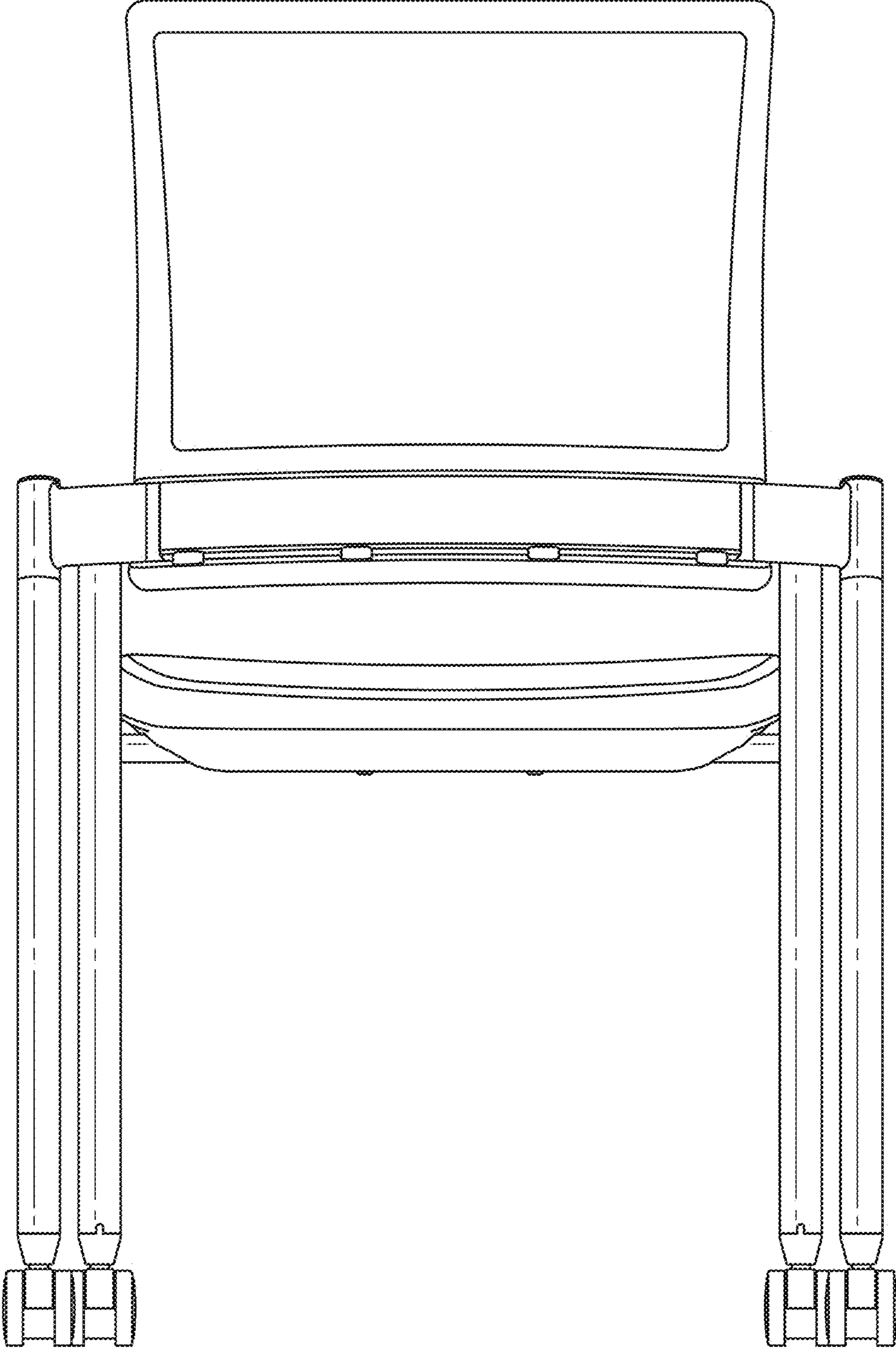


FIG. 13

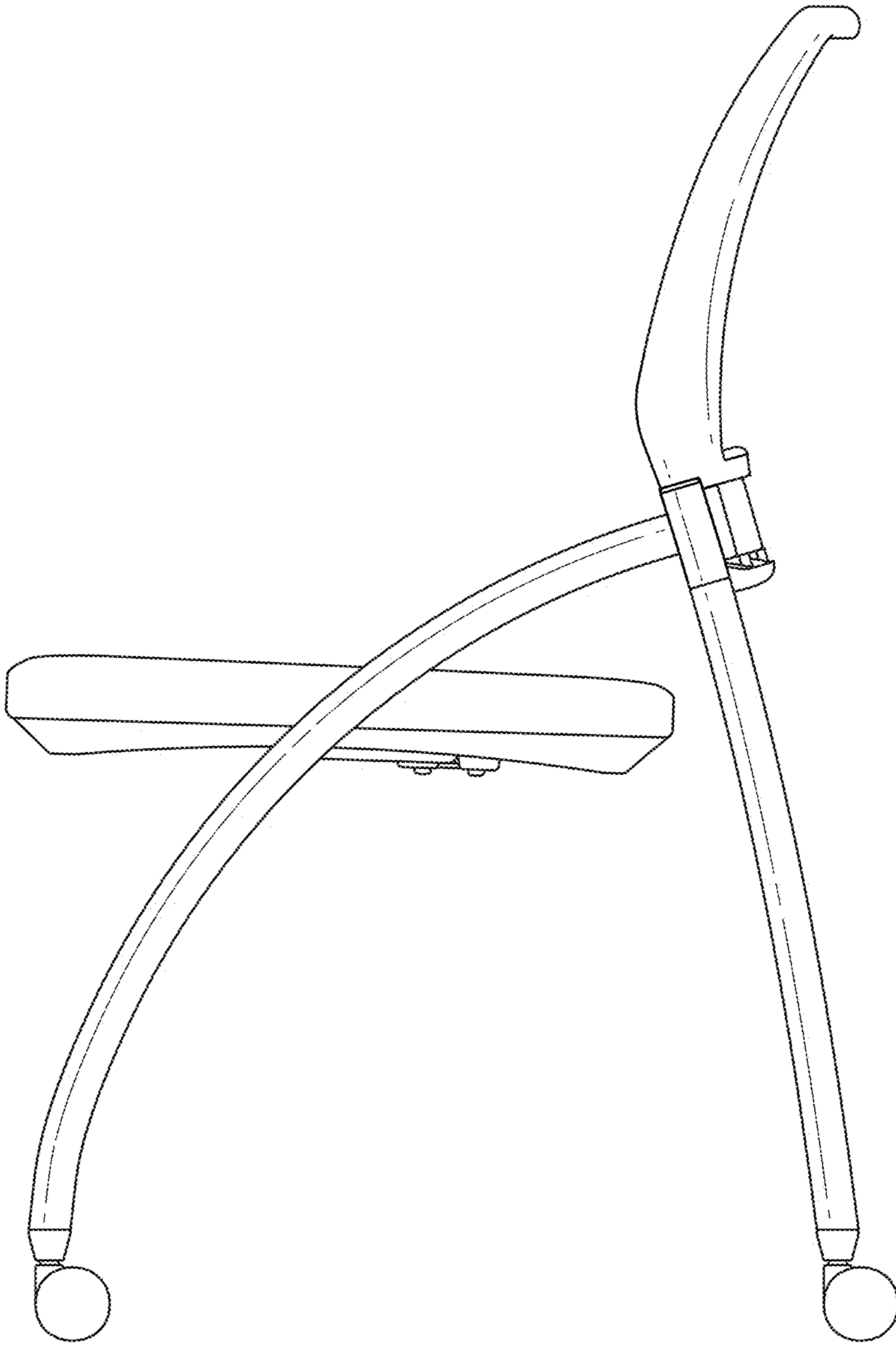


FIG. 14