



US00D740040S

(12) **United States Design Patent**
Bouroullec et al.

(10) **Patent No.:** **US D740,040 S**
(45) **Date of Patent:** **** Oct. 6, 2015**

(54) **SET OF OFFICE CABINS**

A47B 87/008; A47B 87/002; E04B 2002/749;
E04B 2002/7483

(71) Applicant: **Vitra Patente AG**, MuttENZ (CH)

See application file for complete search history.

(72) Inventors: **Erwan Bouroullec**, Paris (FR); **Ronan Bouroullec**, Paris (FR)

(56) **References Cited**

(73) Assignee: **Vitra Patente AG**, MuttENZ (CH)

U.S. PATENT DOCUMENTS

(**) Term: **14 Years**

D248,912	S	*	8/1978	Canfield et al.	D6/644
D286,104	S	*	10/1986	Trainis et al.	D6/337
D354,818	S	*	1/1995	Johnson	D25/58
D412,625	S	*	8/1999	Montague et al.	D6/643.1
D538,060	S	*	3/2007	Golino et al.	D6/643
D540,565	S	*	4/2007	Nakamura	D6/643
D720,160	S	*	12/2014	Lloyd et al.	D6/643
D727,042	S	*	4/2015	Wagner et al.	D6/338

(21) Appl. No.: **29/520,192**

(22) Filed: **Mar. 12, 2015**

* cited by examiner

Related U.S. Application Data

Primary Examiner — Janice Seeger

(62) Division of application No. 29/452,777, filed on Apr. 22, 2013.

(74) *Attorney, Agent, or Firm* — McCarter & English, LLP

(30) **Foreign Application Priority Data**

(57) **CLAIM**

Oct. 23, 2012 (WO) DM/079 815

The ornamental design for a set of office cabins, as shown and described.

(51) **LOC (10) Cl.** **06-03**

DESCRIPTION

(52) **U.S. Cl.**

FIG. 1 is a perspective view from above of an arrangement of two office cabins provided with tables and seats;

USPC **D6/338**; D6/643.1

FIG. 2 shows an outer perspective view from below of FIG. 1; and,

(58) **Field of Classification Search**

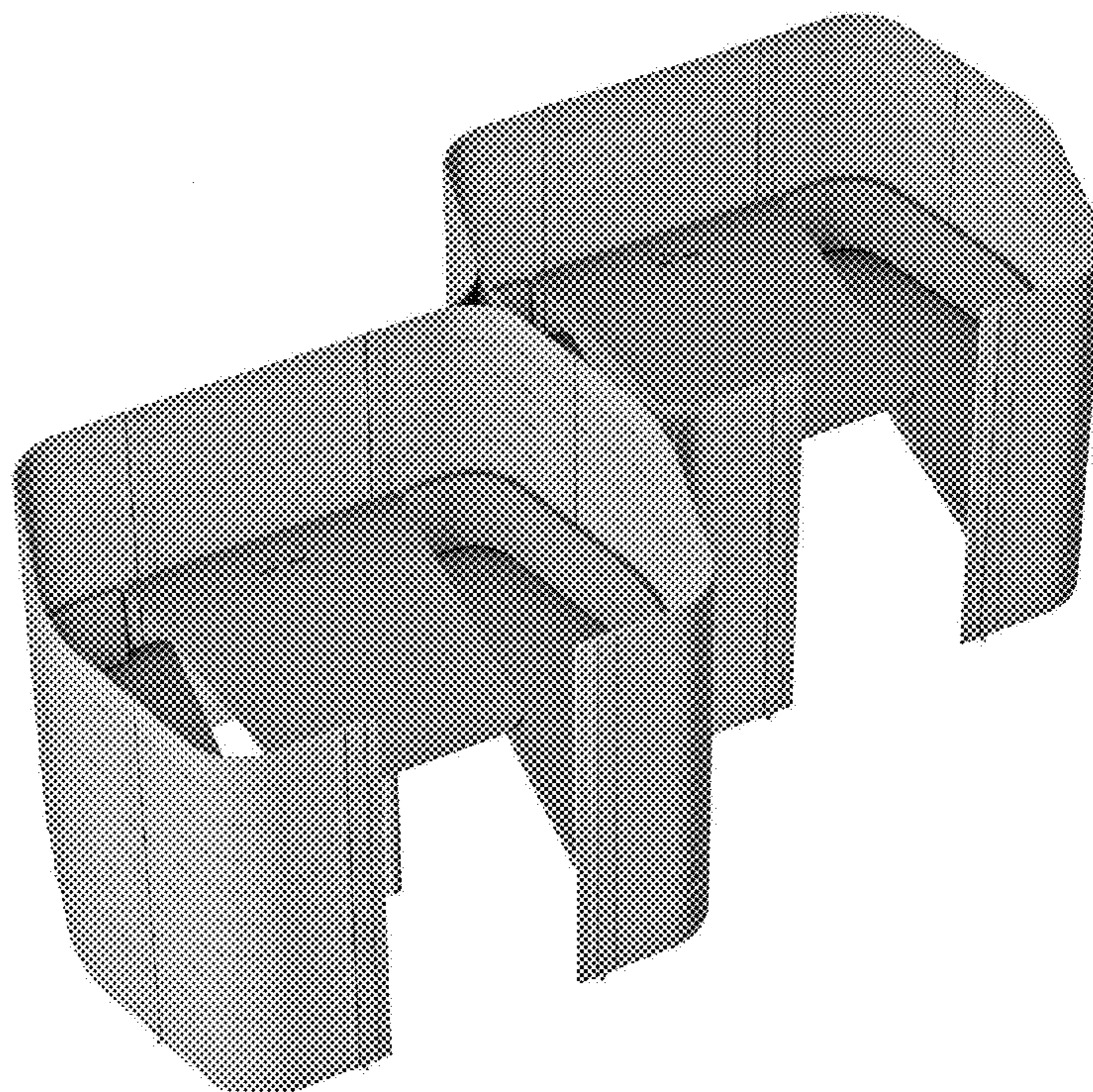
USPC D6/643, 643.1, 332, 644; D25/16

FIG. 3 shows a top perspective view of FIG. 1.

CPC A47B 41/00; A47B 96/04; A47B 96/20;

A47B 83/001; A47B 2200/07; A47B 21/00;

1 Claim, 3 Drawing Sheets



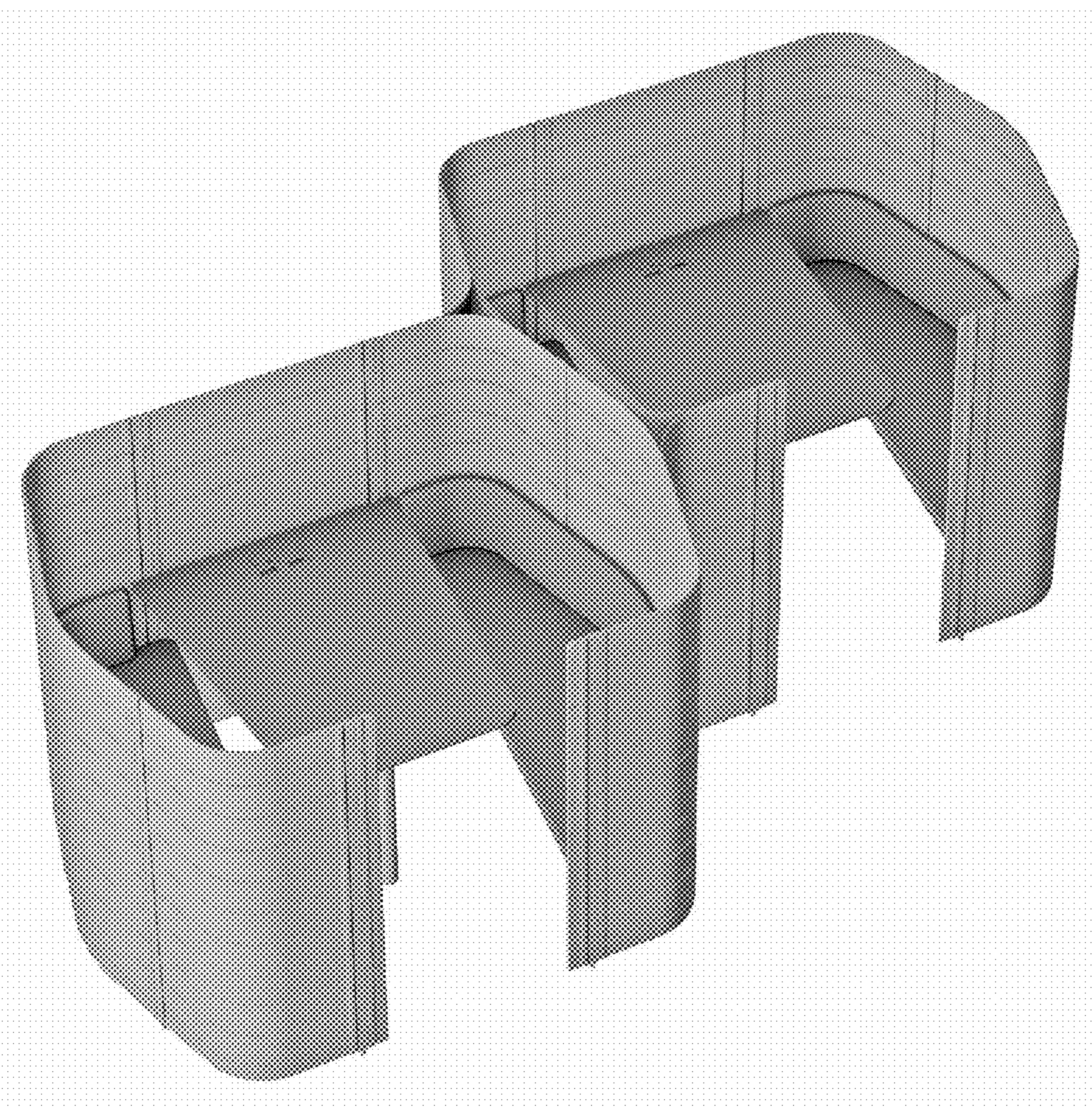


Fig. 1

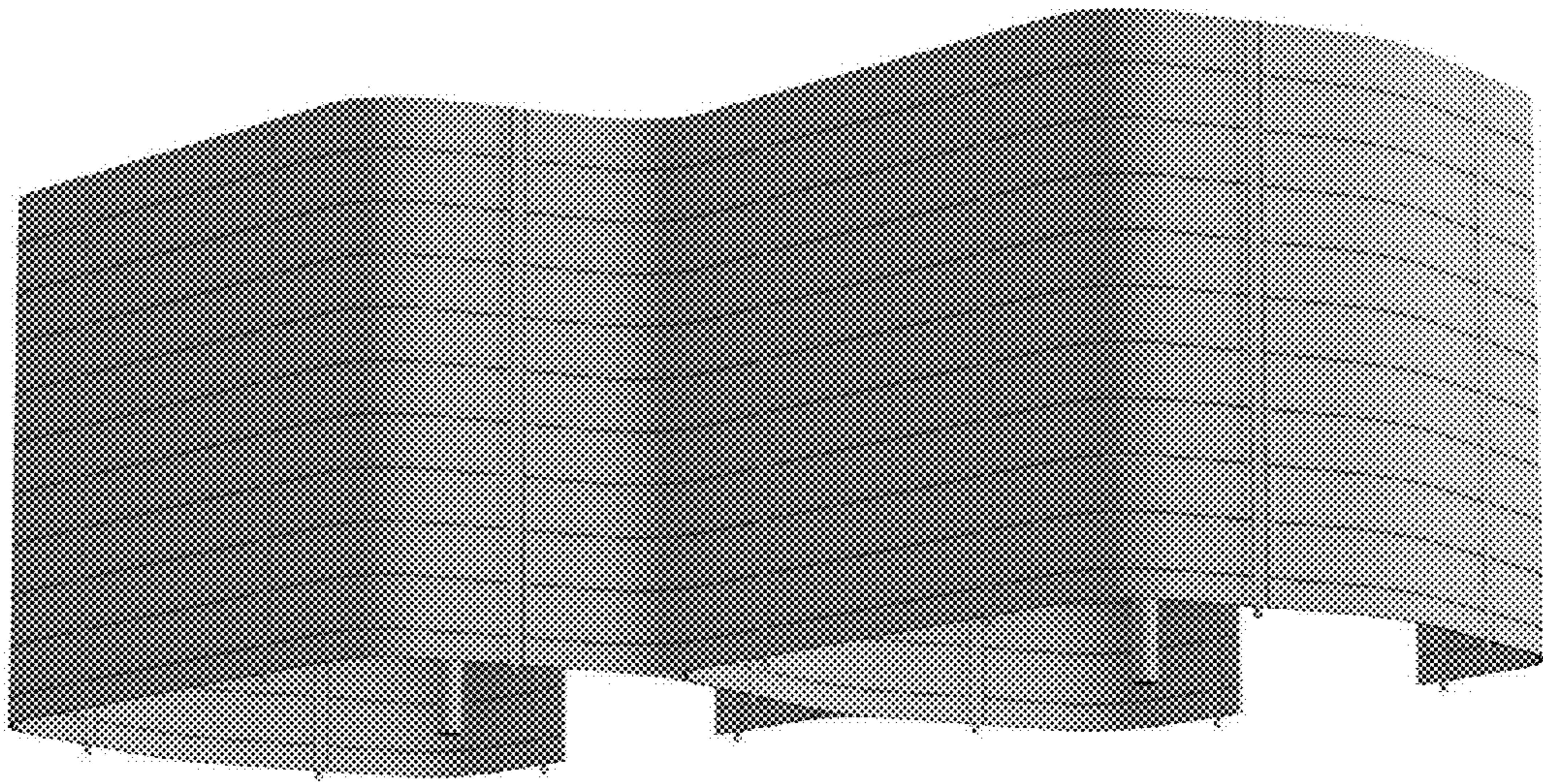


Fig. 2

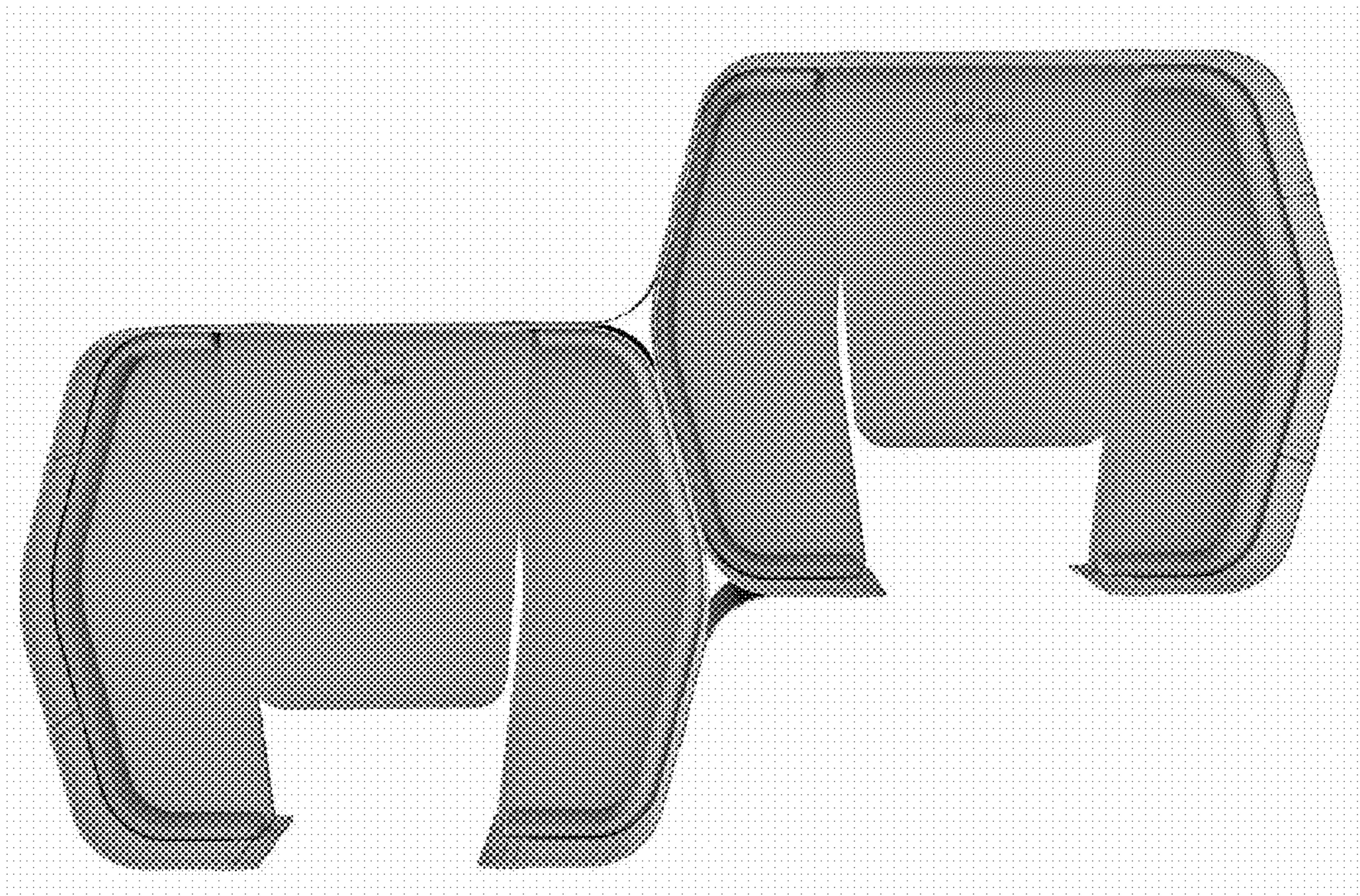


Fig. 3