



US00D740038S

(12) **United States Design Patent**  
**Sandgrund**

(10) **Patent No.:** **US D740,038 S**

(45) **Date of Patent:** **\*\* Oct. 6, 2015**

(54) **ADJUSTABLE STORAGE SYSTEM FOR CLOTHING**

(71) Applicant: **David Sandgrund**, New York, NY (US)

(72) Inventor: **David Sandgrund**, New York, NY (US)

(\*\*) Term: **14 Years**

(21) Appl. No.: **29/471,079**

(22) Filed: **Oct. 28, 2013**

(51) **LOC (10) Cl.** ..... **06-08**

(52) **U.S. Cl.**  
USPC ..... **D6/327**

(58) **Field of Classification Search**  
USPC ..... D6/315-328, 553, 567, 569, 570, 572,  
D6/574; 223/85-98; 211/10, 13.1, 48,  
211/49.1, 71.01, 85.11, 87.01, 90.02, 94.01,  
211/94.02, 94.03, 117; 108/64, 106, 107,  
108/144.11, 147.11, 147.17; D8/380, 381  
See application file for complete search history.

(56) **References Cited**

U.S. PATENT DOCUMENTS

378,201 A	2/1888	Jacoby	
1,446,036 A *	2/1923	Dodd	211/85.17
1,554,137 A *	9/1925	Slifkin	108/6
D157,460 S *	2/1950	Ziolkowski et al.	D6/570
2,937,759 A	5/1960	Smith	
D257,195 S *	10/1980	Swett et al.	D6/570
D289,353 S *	4/1987	Davis et al.	D6/566
D301,407 S	6/1989	Boeri	
5,050,744 A	9/1991	Floyd	
D371,870 S	7/1996	Sylvester	
5,865,325 A	2/1999	Comstock	
6,189,706 B1 *	2/2001	Akins	211/87.01
6,591,996 B1 *	7/2003	Wu	211/90.02
D503,046 S *	3/2005	Caiazza	D6/327
6,955,270 B2	10/2005	Lay et al.	
D587,022 S *	2/2009	Goodman et al.	D6/327
8,141,720 B2	3/2012	Kellogg et al.	
2002/0134742 A1	9/2002	Huang	

2007/0241072 A1 *	10/2007	Bryant et al.	211/90.02
2008/0121146 A1	5/2008	Burns et al.	
2009/0194495 A1 *	8/2009	Kellogg et al.	211/85.11
2014/0284291 A1 *	9/2014	Sandgrund	211/85.3

FOREIGN PATENT DOCUMENTS

FR	616 335 A	1/1927
FR	2 182 318 A5	12/1973

OTHER PUBLICATIONS

International Searching Authority (PCT), International Search Report, Sep. 19, 2014.

International Searching Authority (PCT), Written Opinion of the International Searching Authority, Sep. 19, 2014.

\* cited by examiner

*Primary Examiner* — Derrick Holland

*Assistant Examiner* — Lauren Calve

(74) *Attorney, Agent, or Firm* — Ladas & Parry LLP

(57) **CLAIM**

The ornamental design for an adjustable storage system for clothing, as shown and described.

**DESCRIPTION**

FIG. 1 is a perspective view of an adjustable storage system for clothing, showing my new design;  
FIG. 2 is a front view thereof;  
FIG. 3 is a rear view thereof;  
FIG. 4 is a right side view thereof;  
FIG. 5 is a top view thereof;  
FIG. 6 is a bottom view thereof;  
FIG. 7 is a second perspective view thereof, shown in an alternate configuration; and,  
FIG. 8 is a third perspective view thereof, shown in environmental use.

The broken lines shown represent unclaimed subject matter and form no part of the claimed design.

**1 Claim, 7 Drawing Sheets**

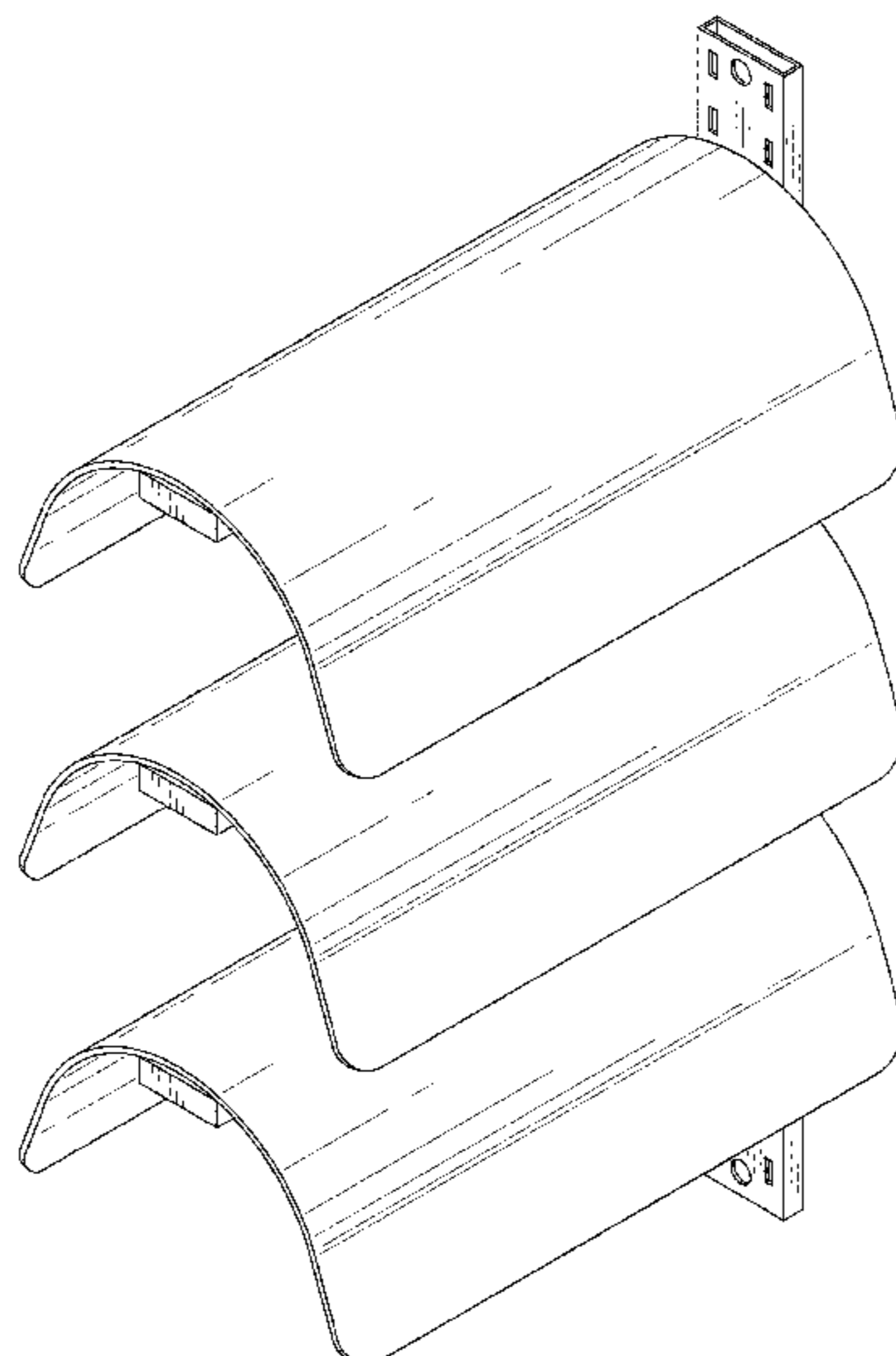


FIG. 1

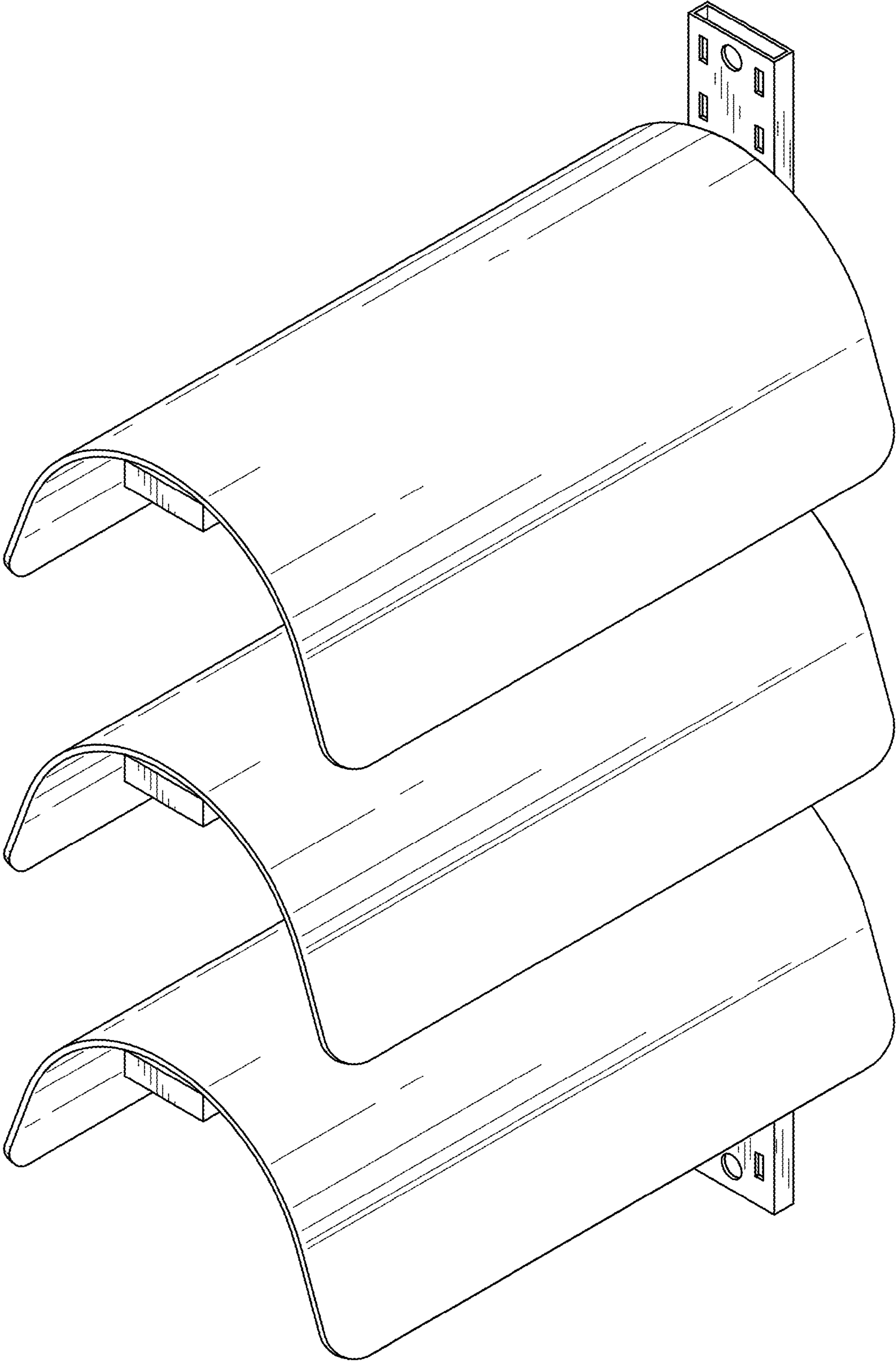


FIG. 2

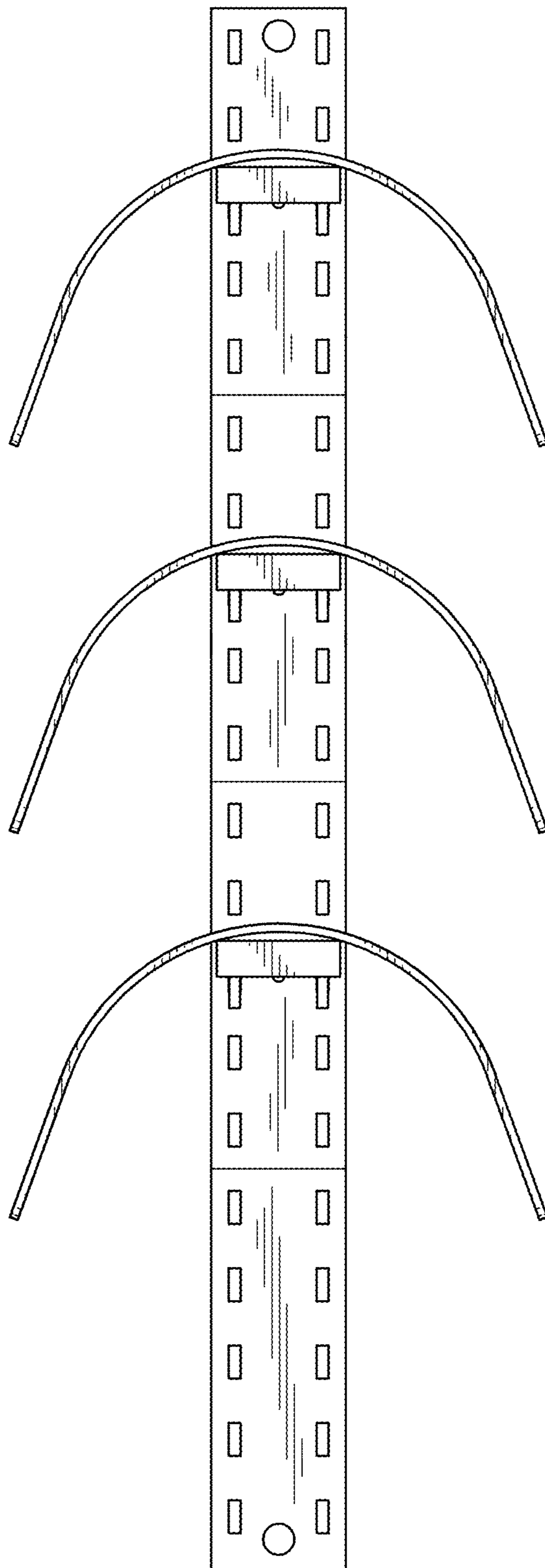


FIG. 3

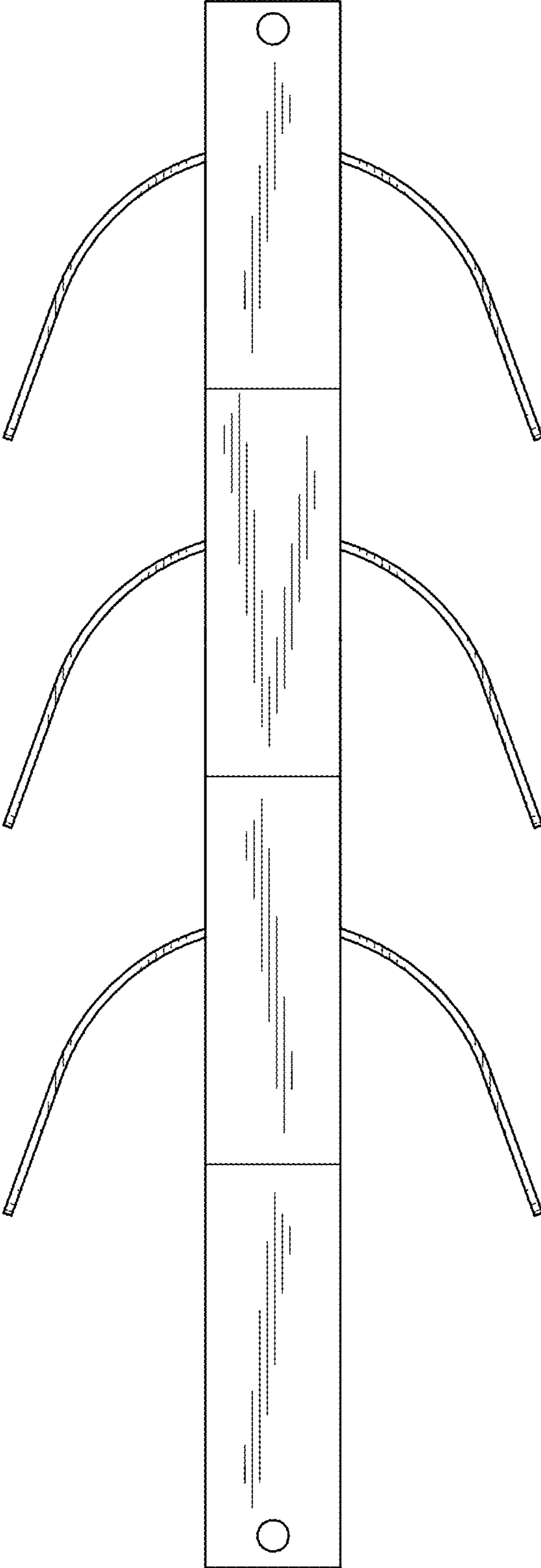


FIG. 4



FIG. 6

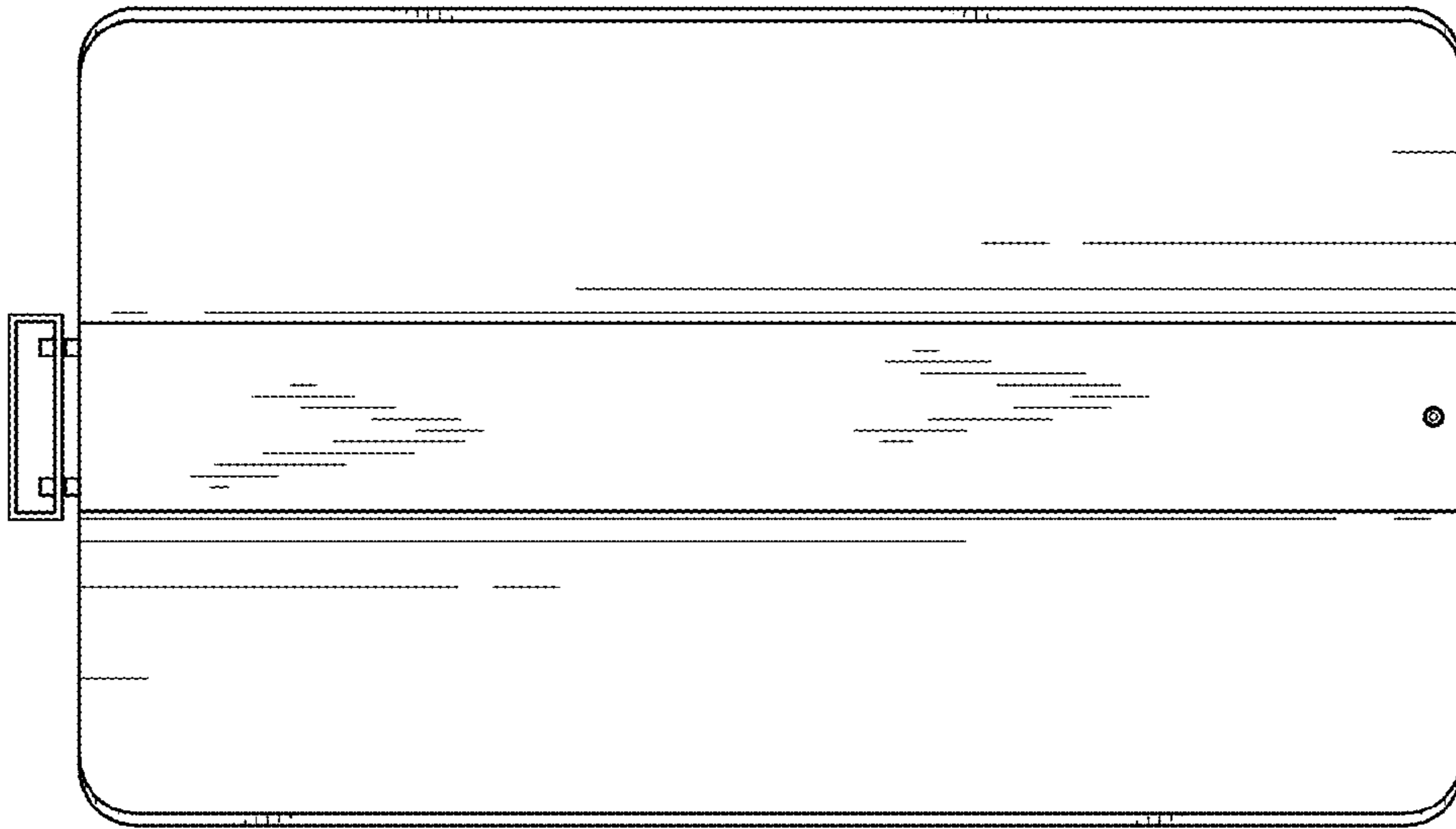


FIG. 5

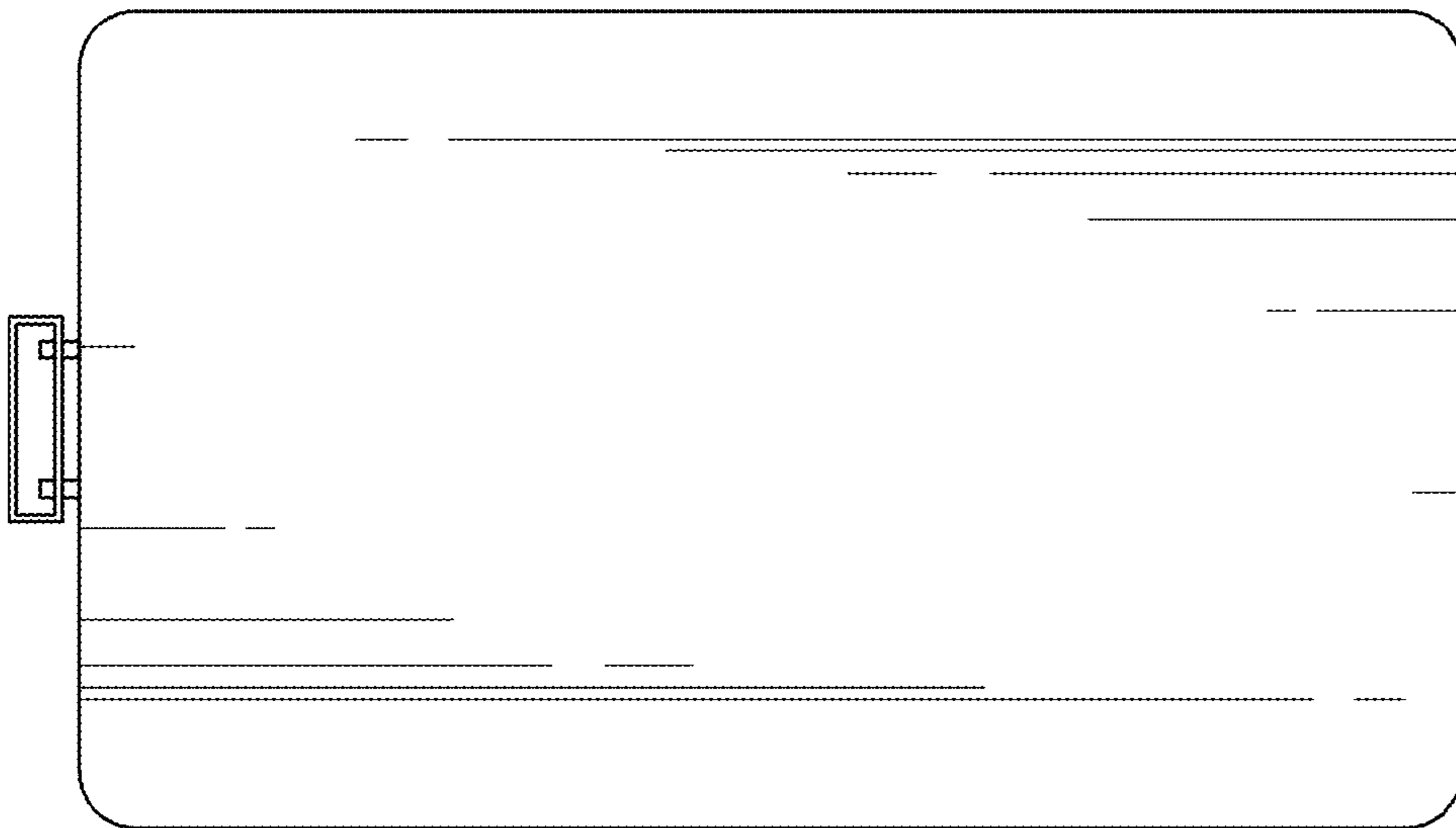


FIG. 7

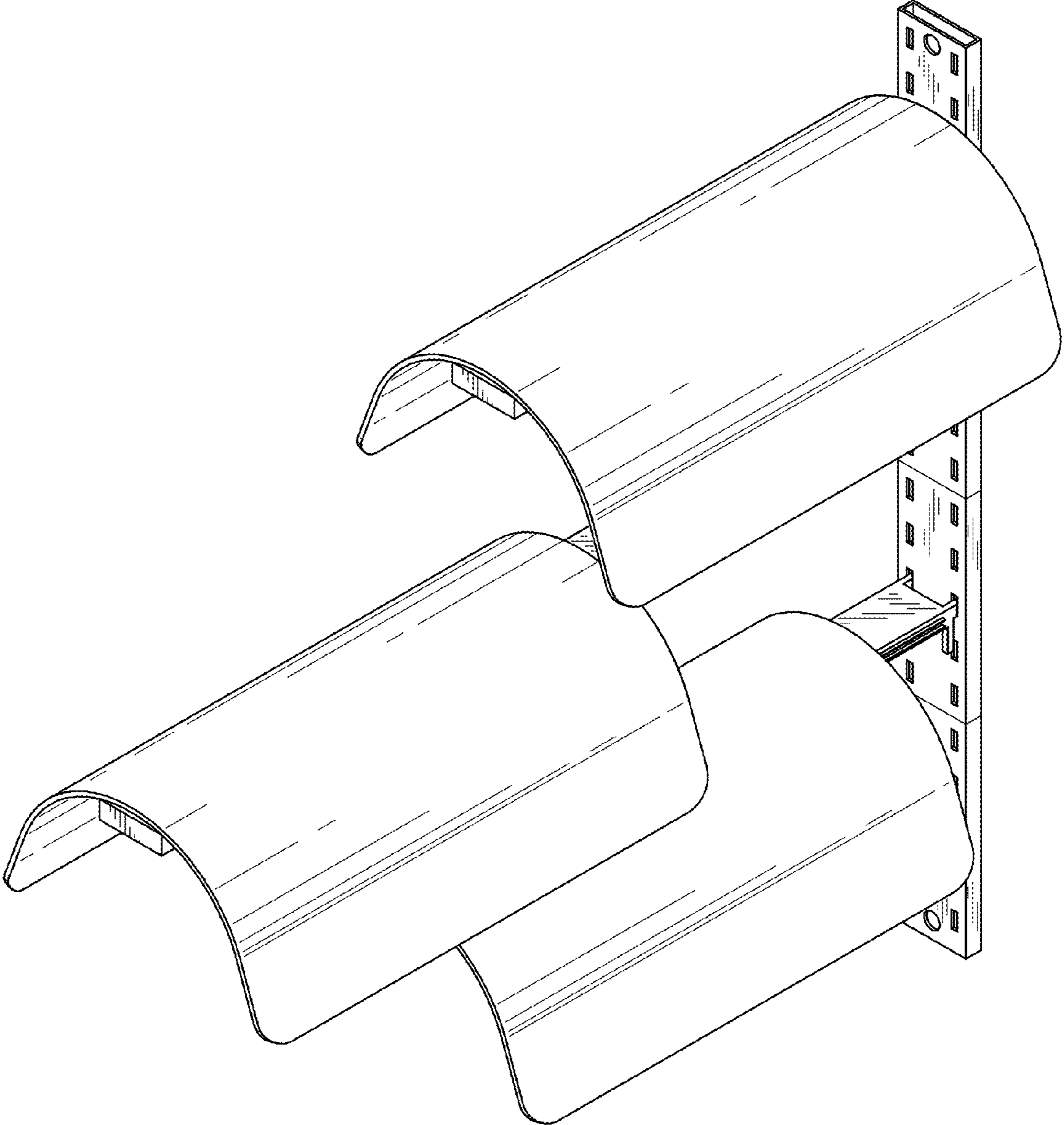


FIG. 8

