

US00D740037S

(12) **United States Design Patent**
Ohrling et al.

(10) **Patent No.:** **US D740,037 S**

(45) **Date of Patent:** **** Oct. 6, 2015**

(54) **GUN CASE HANGER**

(71) Applicants: **Joseph M. Ohrling**, Muskegon, MI
(US); **Patti R. Ohrling**, Muskegon, MI
(US)

(72) Inventors: **Joseph M. Ohrling**, Muskegon, MI
(US); **Patti R. Ohrling**, Muskegon, MI
(US)

(**) Term: **14 Years**

(21) Appl. No.: **29/485,338**

(22) Filed: **Mar. 18, 2014**

(51) **LOC (10) Cl.** **06-08**

(52) **U.S. Cl.**
USPC **D6/317**

(58) **Field of Classification Search**
USPC D6/315-328; 223/85-98; 211/10, 13.1,
211/85.2, 86.01, 87.01, 113
CPC A47G 25/28; A47G 25/38; A47G 25/14;
A47G 25/442; A47G 25/483; A47G 25/485;
A47G 25/4023; A47G 5/0006; Y10S 223/04
See application file for complete search history.

(56) **References Cited**

U.S. PATENT DOCUMENTS

1,815,673 A 7/1931 Kelley
1,969,258 A 8/1934 Cross
D125,109 S * 2/1941 Lamar D6/317
2,454,908 A 11/1948 Buxton

2,510,452 A * 6/1950 Witt 211/85.3
3,063,570 A 11/1962 Kroner
4,024,997 A 5/1977 Kolpin
D324,782 S * 3/1992 Pedersen D6/317
D334,291 S * 3/1993 Rooke D6/317
D378,475 S * 3/1997 Brown D6/317
5,908,120 A * 6/1999 Yates et al. 211/119
6,070,773 A * 6/2000 Pogoda 223/88
8,387,182 B2 3/2013 Edelman
D723,289 S * 3/2015 Goodman et al. D6/315
2008/0105632 A1 * 5/2008 Oliver 211/13.1

* cited by examiner

Primary Examiner — Derrick Holland

Assistant Examiner — Lauren Calve

(74) *Attorney, Agent, or Firm* — Price Heneveld LLP

(57) **CLAIM**

We claim the ornamental design for a gun case hanger, as shown and described.

DESCRIPTION

FIG. 1 is a perspective view of a gun case hanger showing our new design in an environmental state.

FIG. 2 is a perspective view of the gun case hanger.

FIG. 3 is a front view thereof.

FIG. 4 is a left side view thereof.

FIG. 5 is a right side view thereof.

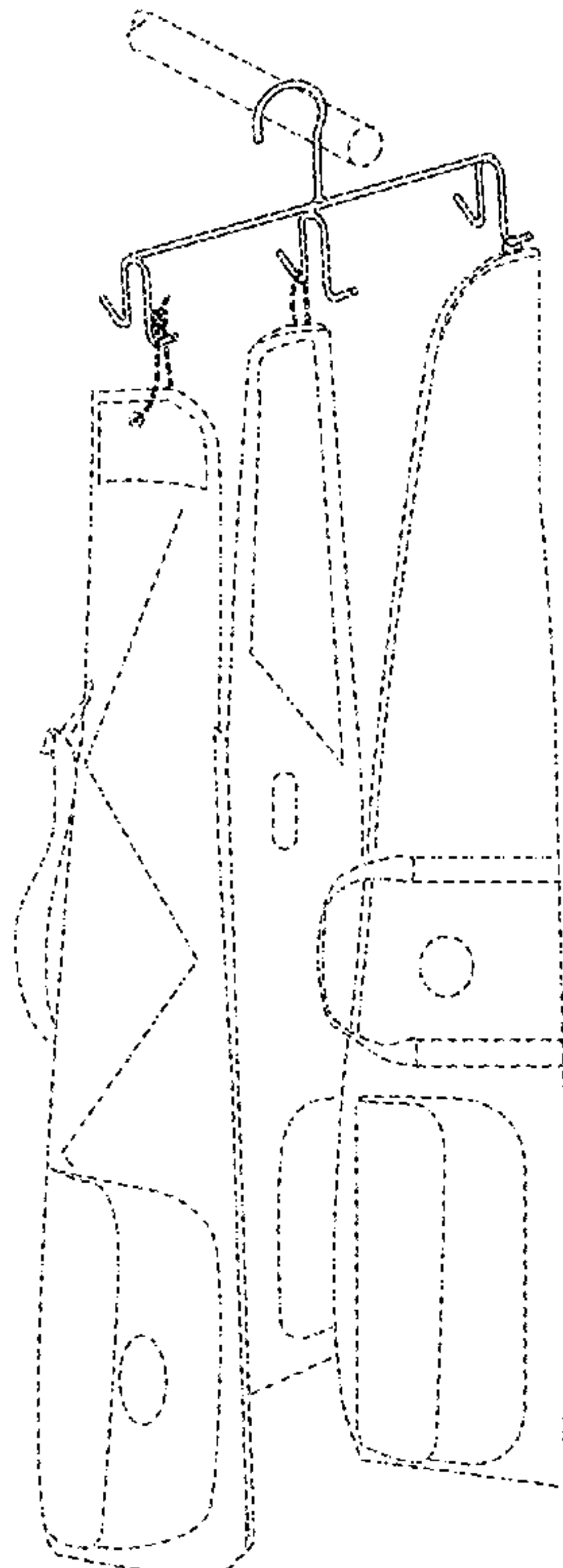
FIG. 6 is a rear view thereof.

FIG. 7 is a top view thereof; and,

FIG. 8 is a bottom view thereof.

The broken lines shown represent unclaimed subject matter and form no part of the claimed design.

1 Claim, 3 Drawing Sheets



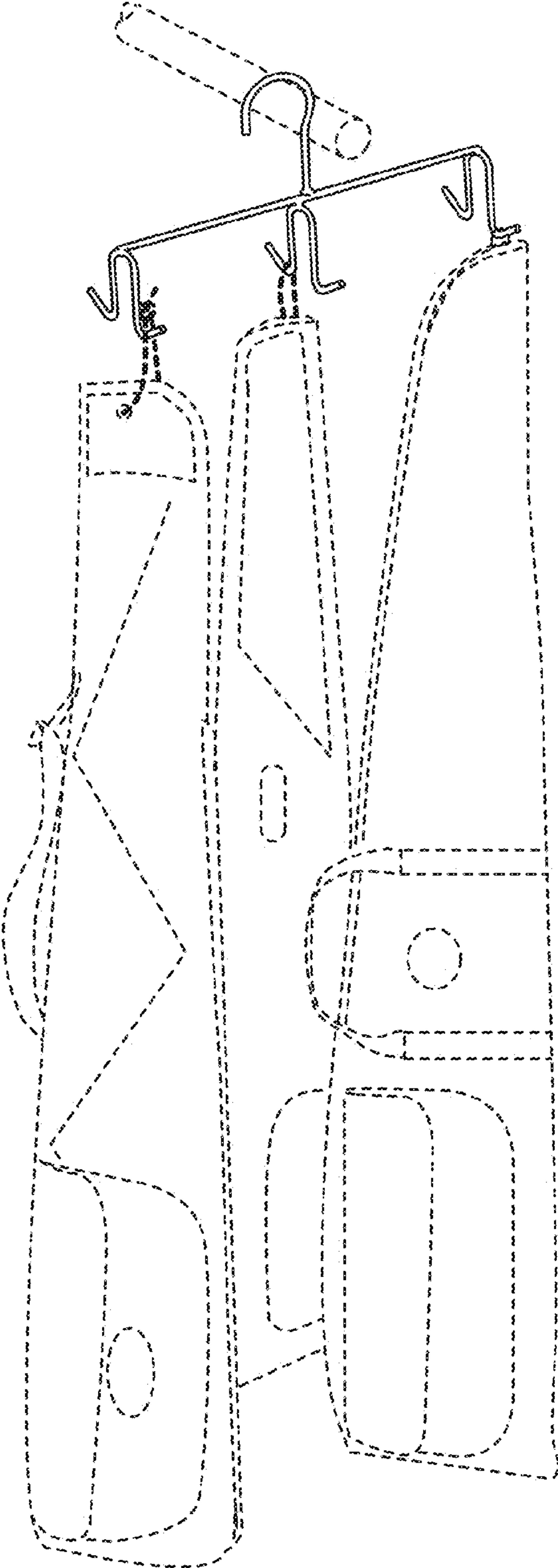


FIG. 1

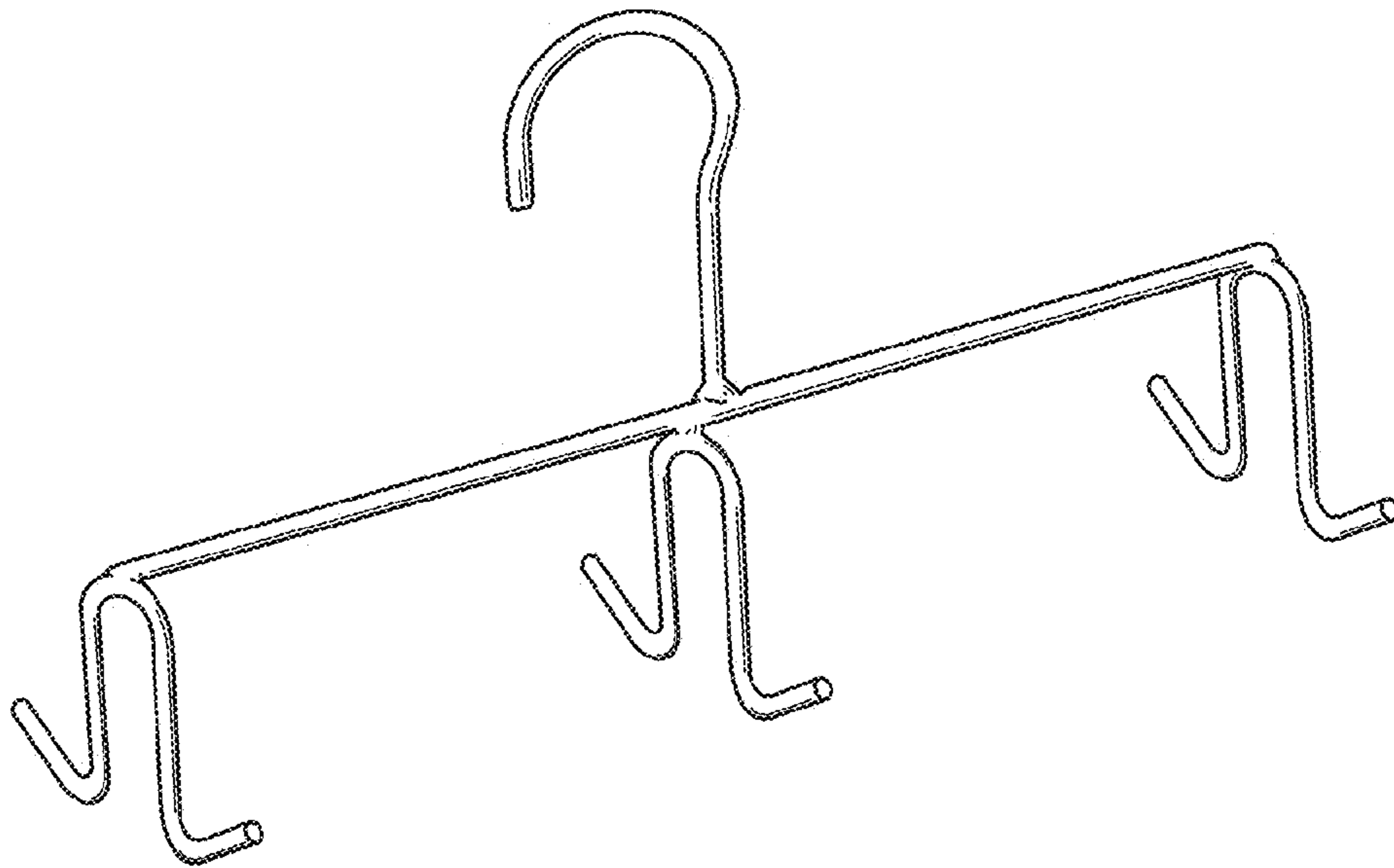


FIG. 2

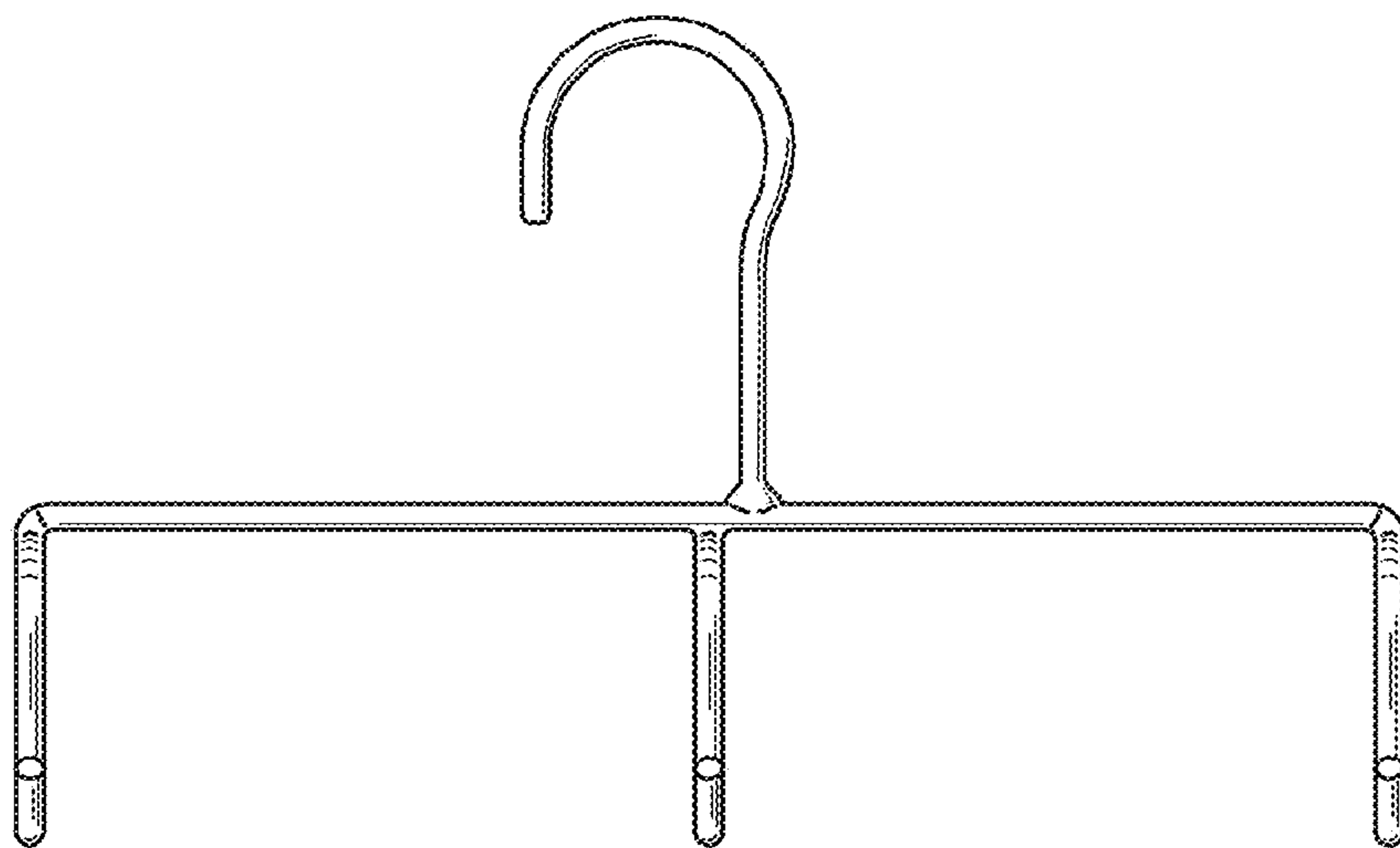


FIG. 3

FIG. 4

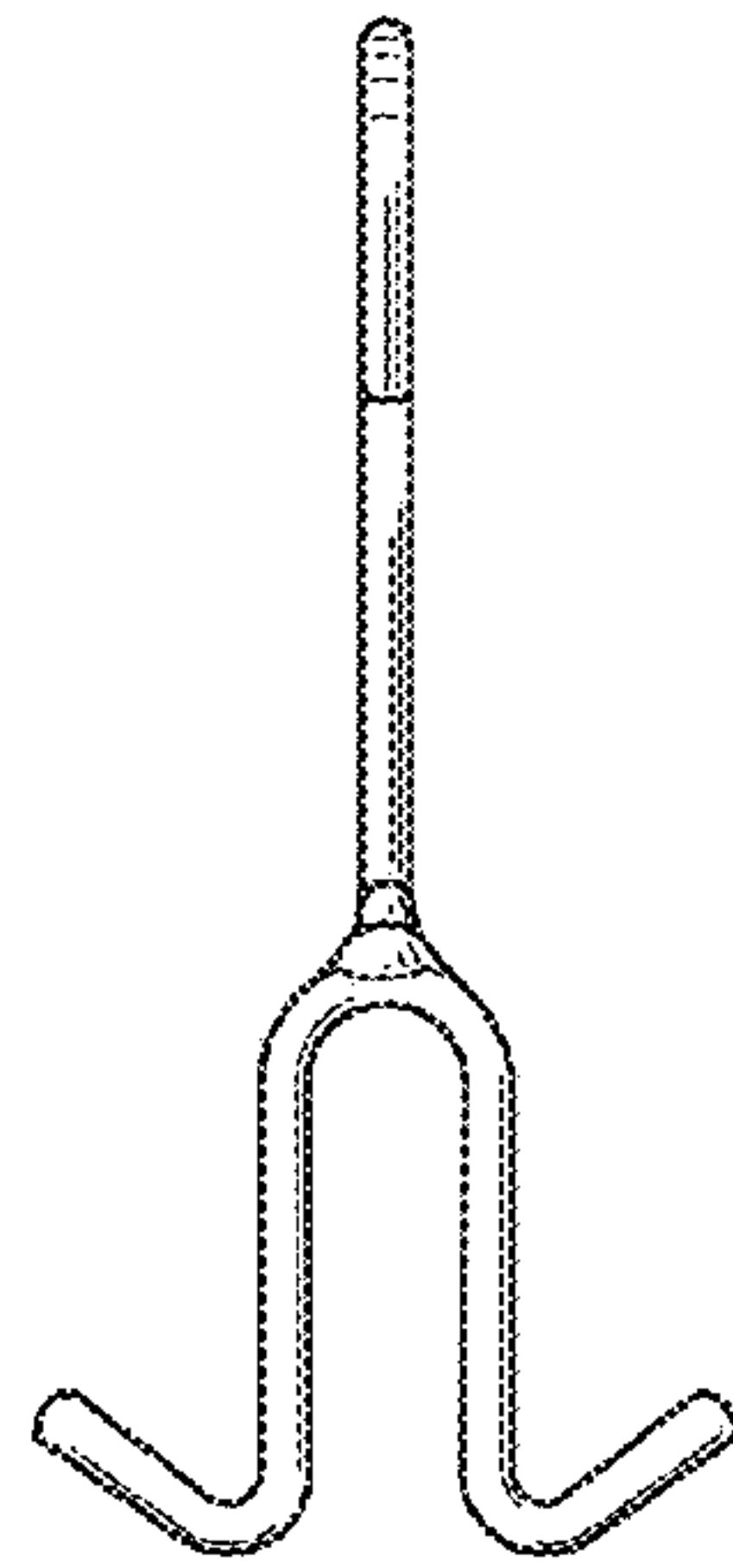


FIG. 5

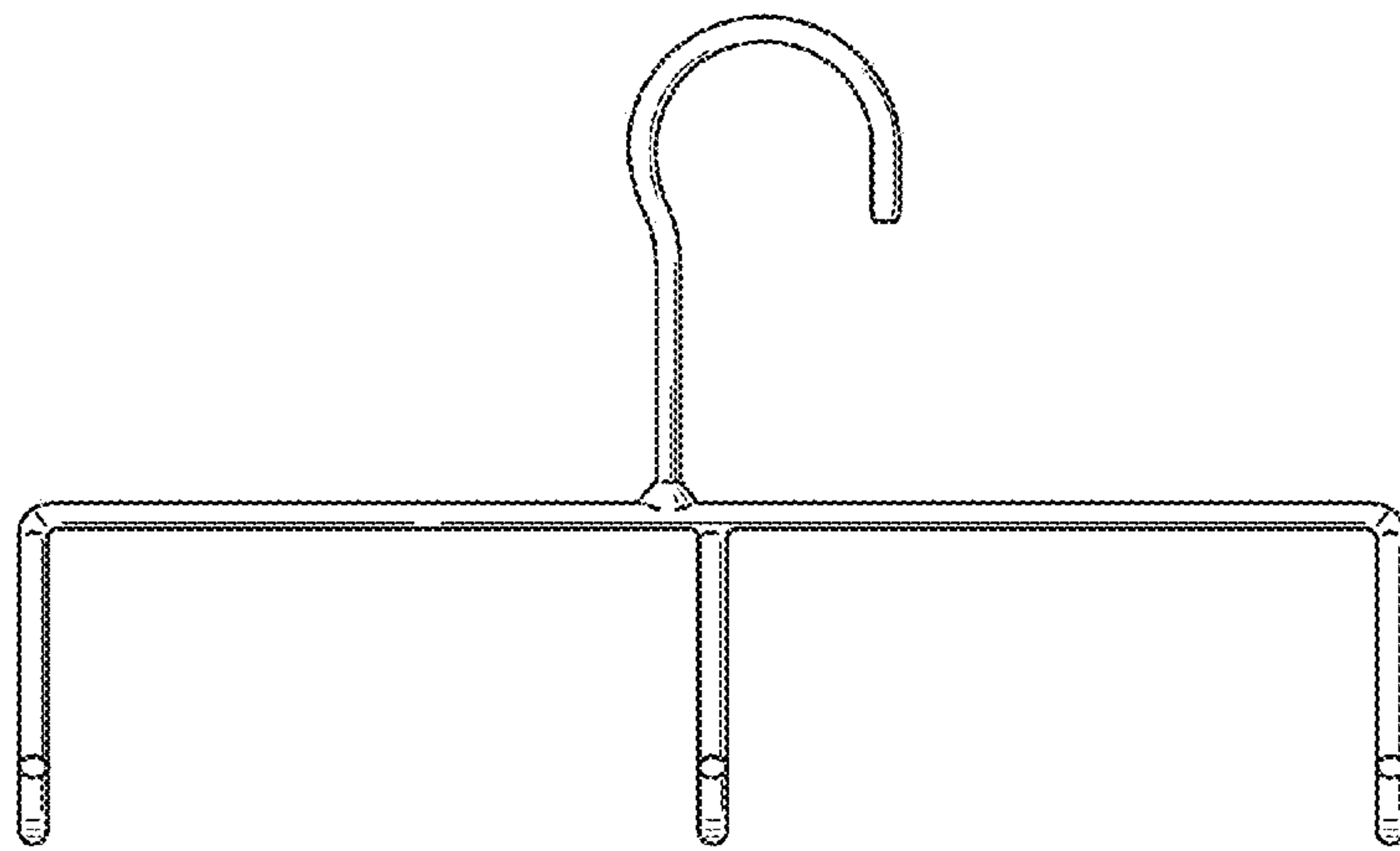
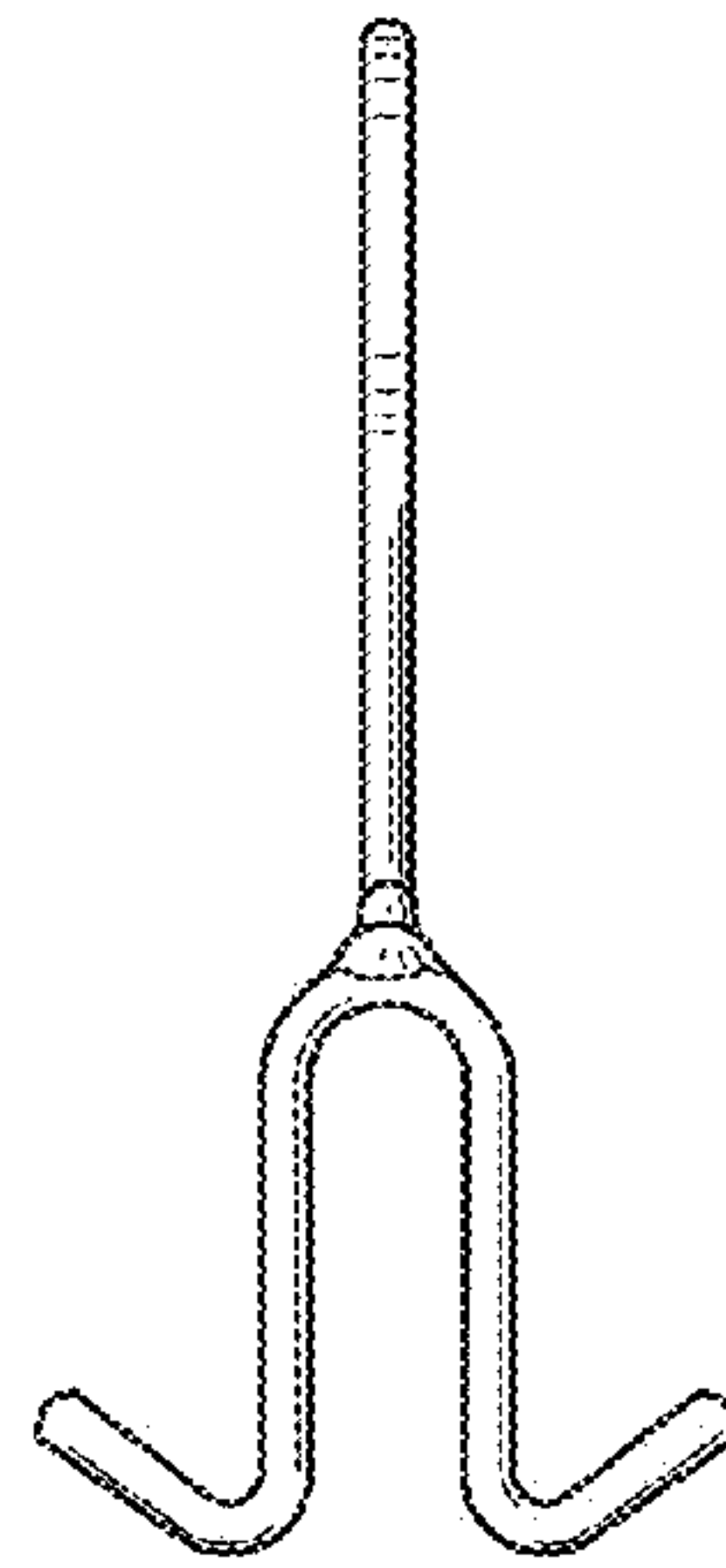


FIG. 6

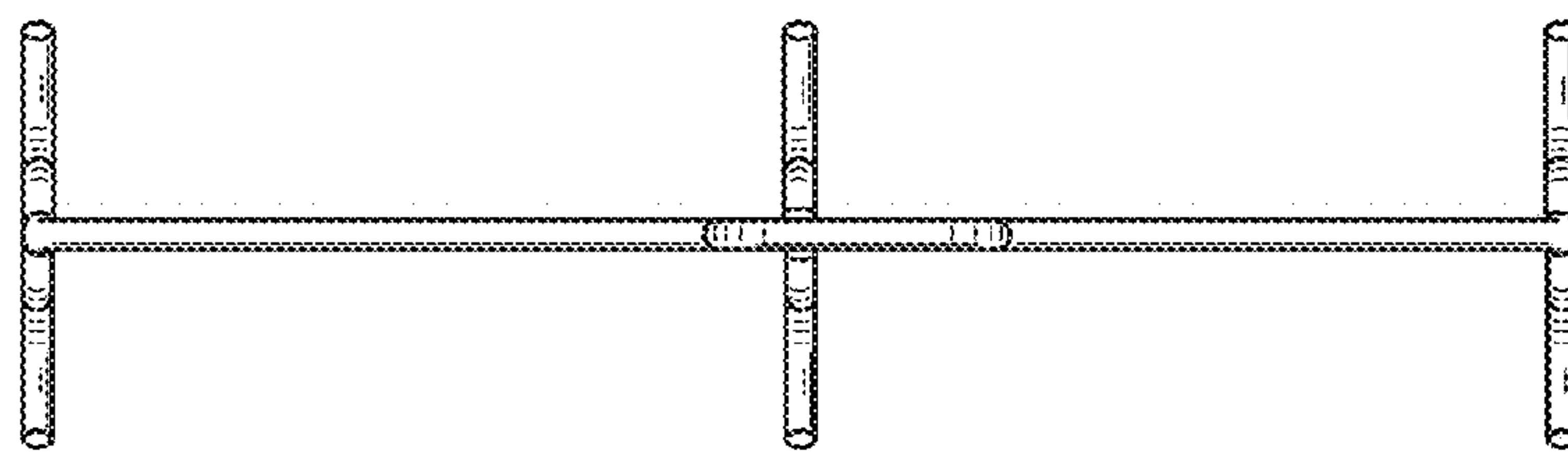


FIG. 7

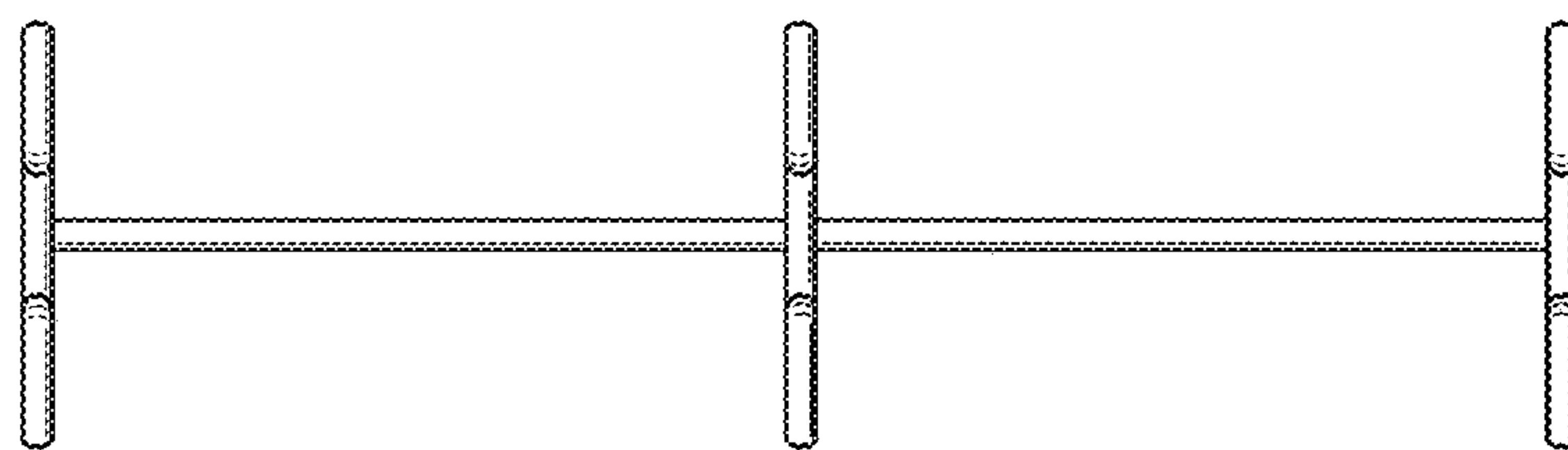


FIG. 8