



US00D740032S

(12) **United States Design Patent**
Bell

(10) **Patent No.:** **US D740,032 S**

(45) **Date of Patent:** **** Oct. 6, 2015**

(54) **BAG HANDLE**

(71) Applicant: **JAB Distributors, LLC**, Northbrook, IL (US)

(72) Inventor: **Warrick Bell**, Northbrook, IL (US)

(73) Assignee: **JAB DISTRIBUTORS, LLC**

(**) Term: **14 Years**

(21) Appl. No.: **29/478,912**

(22) Filed: **Jan. 9, 2014**

(51) **LOC (10) Cl.** **03-01**

(52) **U.S. Cl.**
USPC **D3/327**

(58) **Field of Classification Search**
USPC D3/11, 202, 209, 210, 212, 214, 215, D3/218, 220, 222, 225, 226, 227, 230, 252, D3/303, 315, 318; 150/100, 104, 107, 108, 150/111, 112, 114, 117, 118, 119, 127, 150/130; 224/175, 578, 610
CPC A45F 3/14; A45F 2003/002; A45C 13/30
See application file for complete search history.

(56) **References Cited**

U.S. PATENT DOCUMENTS

3,001,566 A * 9/1961 Lipsitz 224/610
3,259,285 A * 7/1966 Bush 294/154
D258,702 S * 3/1981 Weinreb D3/268
D314,087 S * 1/1991 Macklin D3/303
6,968,880 B2 * 11/2005 Battaglia et al. 150/103

7,806,309 B2 * 10/2010 Korchmar 224/578
7,814,949 B2 * 10/2010 Surface et al. 150/110
2011/0099772 A1 * 5/2011 Douglas et al. 24/302

* cited by examiner

Primary Examiner — Caron D Veynar

Assistant Examiner — Holly E Thurman

(74) *Attorney, Agent, or Firm* — McAndrews, Held & Malloy, Ltd.

(57) **CLAIM**

The ornamental design for a bag handle, as shown and described.

DESCRIPTION

FIG. 1 is a perspective view of a bag handle showing my new design;

FIG. 2 is a top view of the bag handle of FIG. 1;

FIG. 3 is a front side view of the bag handle of FIG. 1, with the back side view being a mirror image thereof;

FIG. 4 is a right side view of the bag handle of FIG. 1;

FIG. 5 is a left side view of the bag handle of FIG. 1;

FIG. 6 is a bottom view of the bag handle of FIG. 1;

FIG. 7 is a reduced perspective view of the bag handle of FIG. 1, with the bag handle in an alternative use condition; and,

FIG. 8 is a reduced perspective view of the bag handle of FIG. 1, with the bag handle in another alternative use condition.

The broken line showing of the bag is included for the purpose of showing unclaimed environmental structure only and forms no part of the claimed design.

The micro-dotted broken line portion of the bag handle depicts claimed decorative stitching, which forms part of the claimed design.

1 Claim, 4 Drawing Sheets

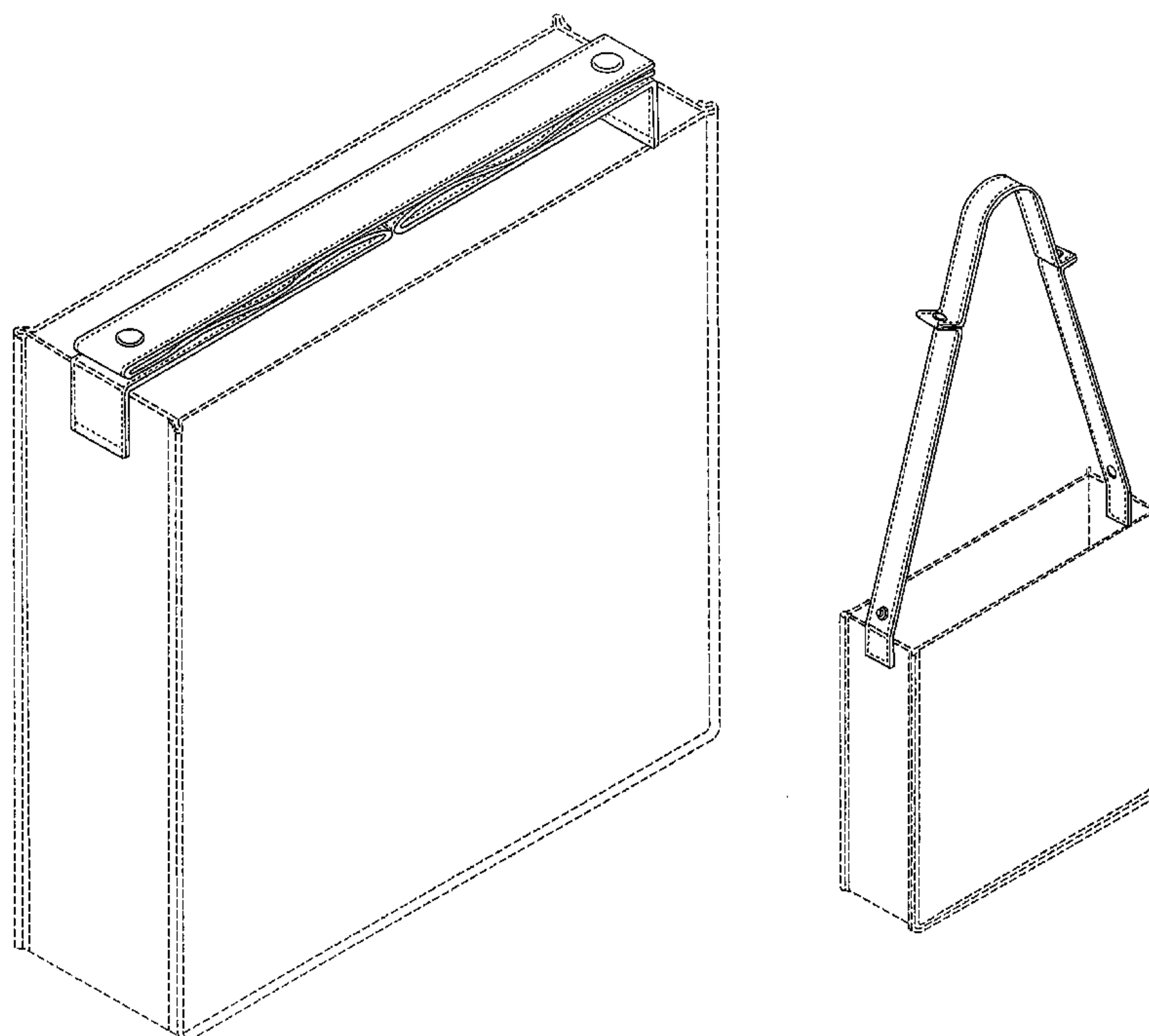


FIG. 1

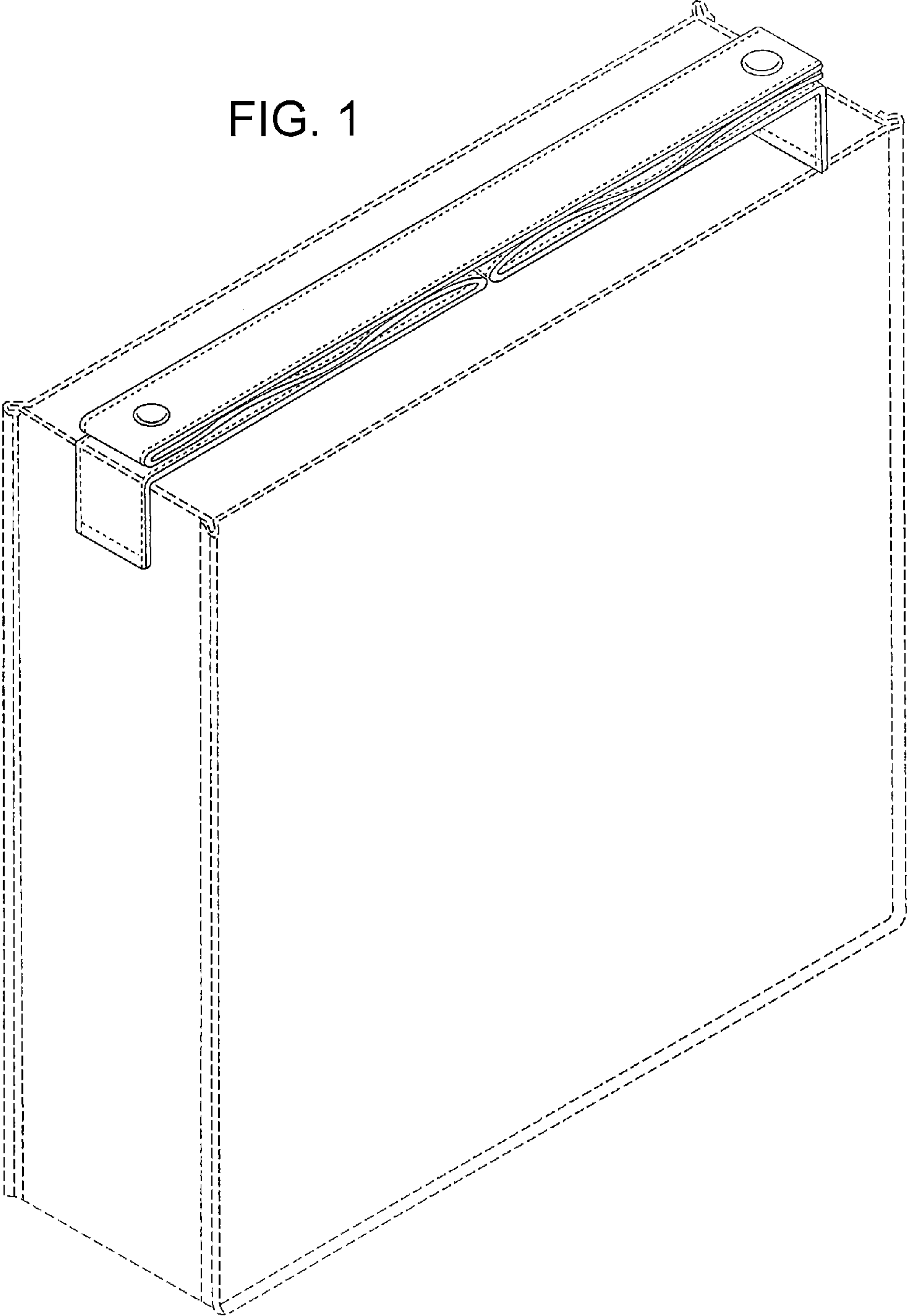


FIG. 2

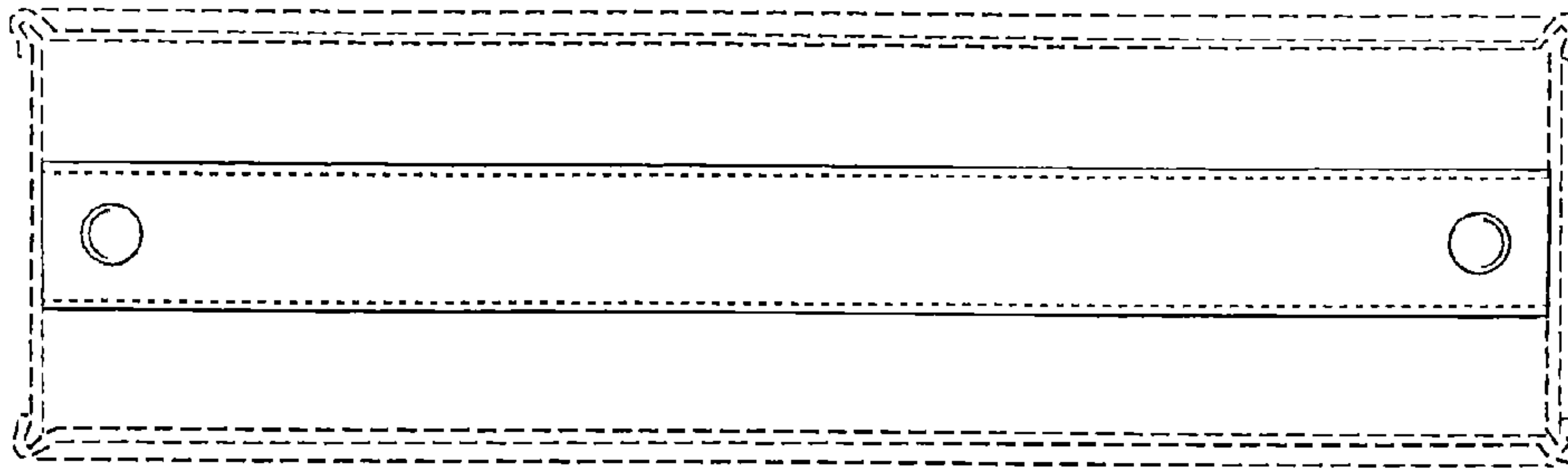


FIG. 3

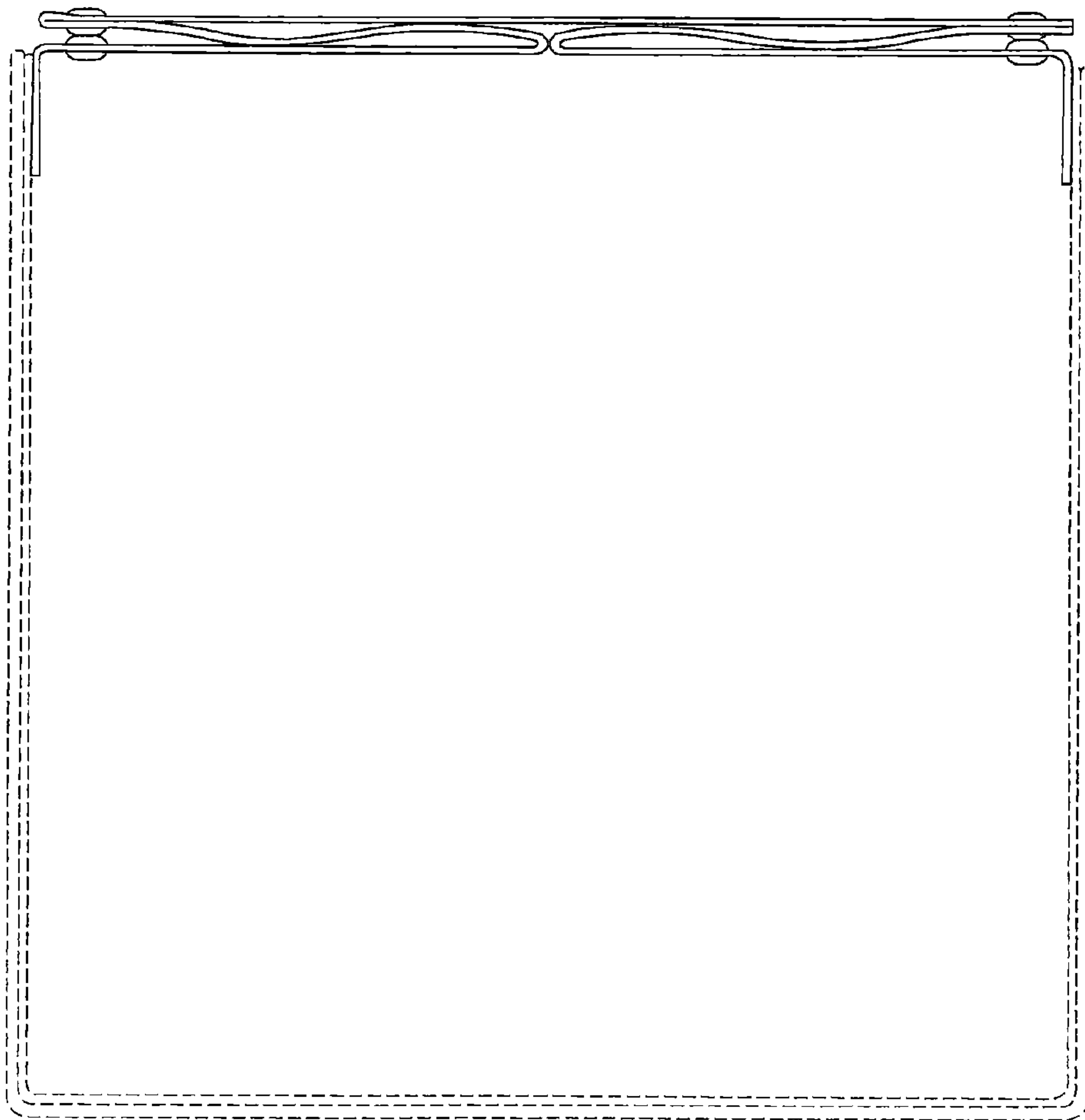


FIG. 4

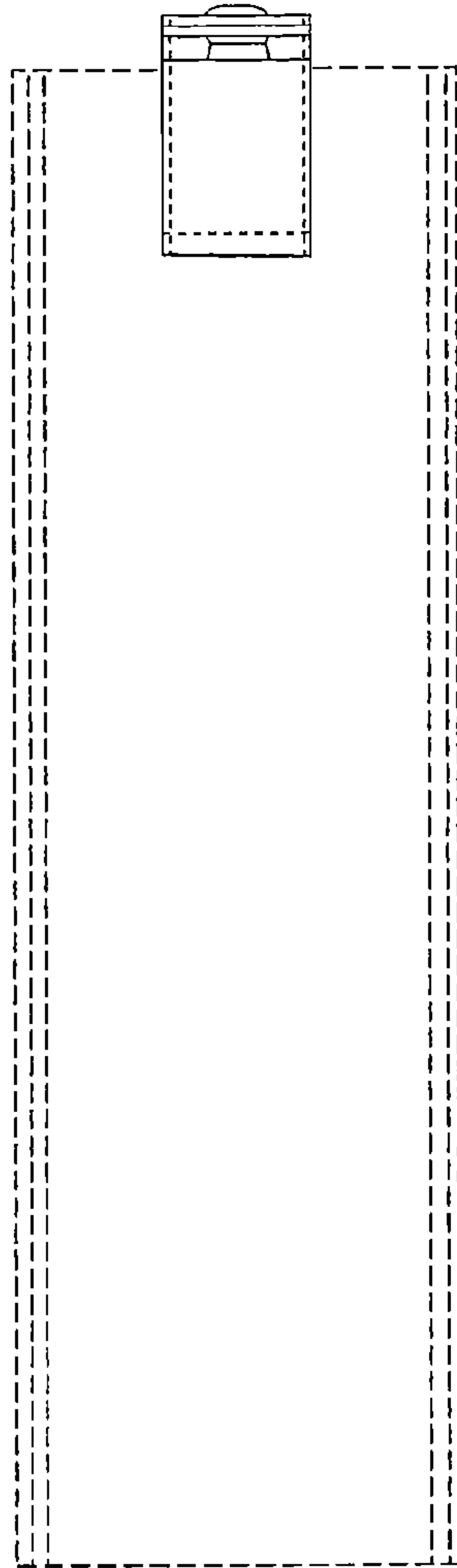


FIG. 5

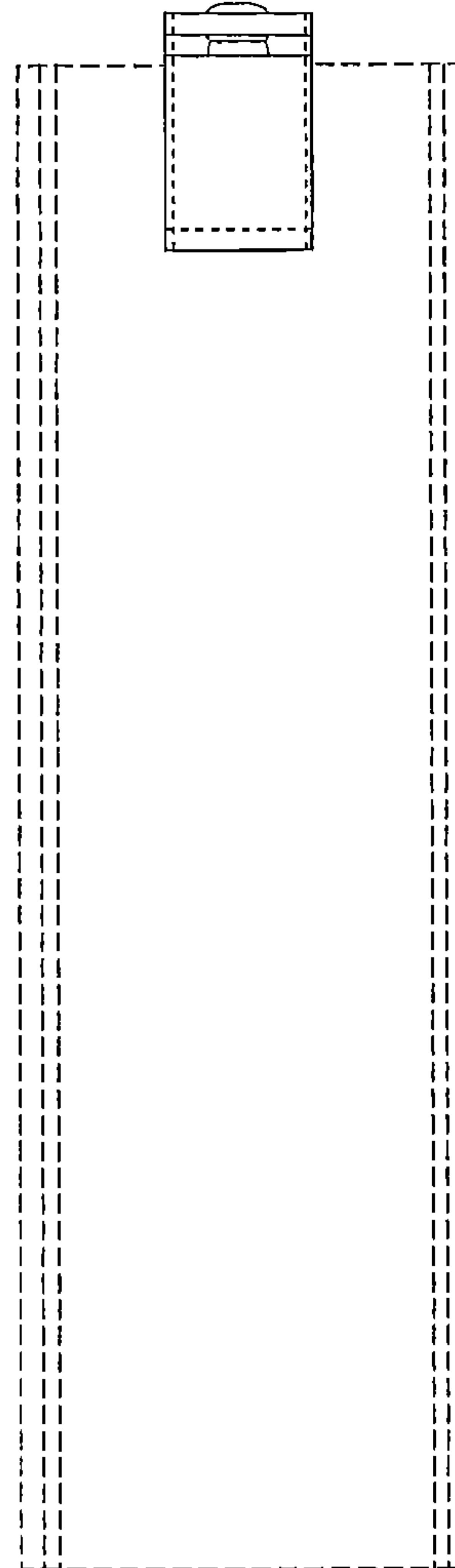


FIG. 6

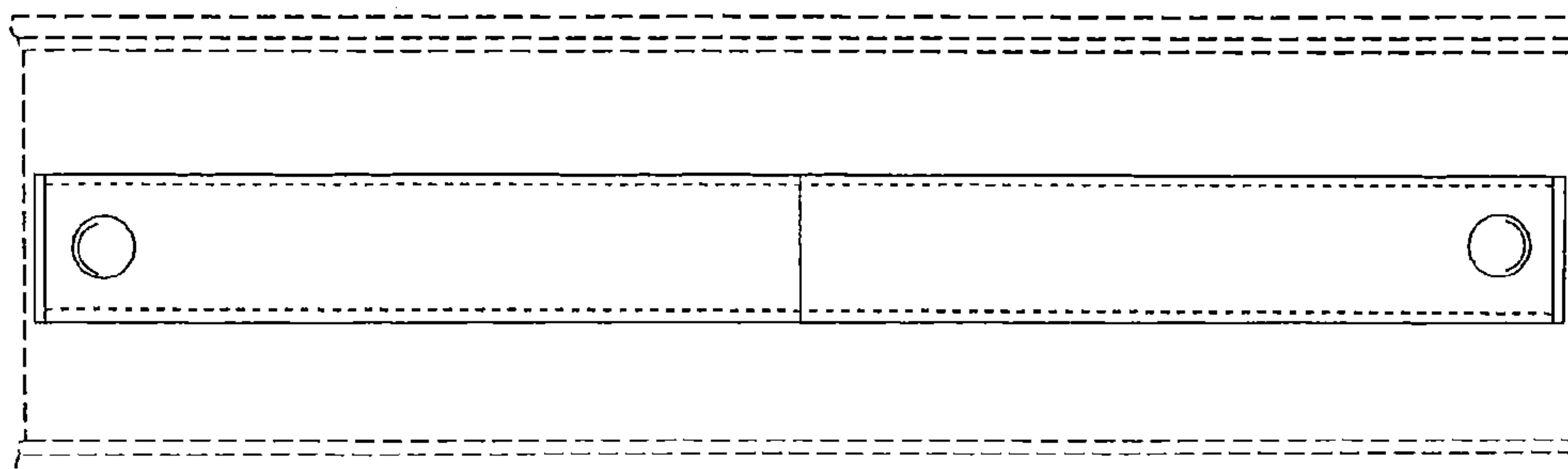


FIG. 7

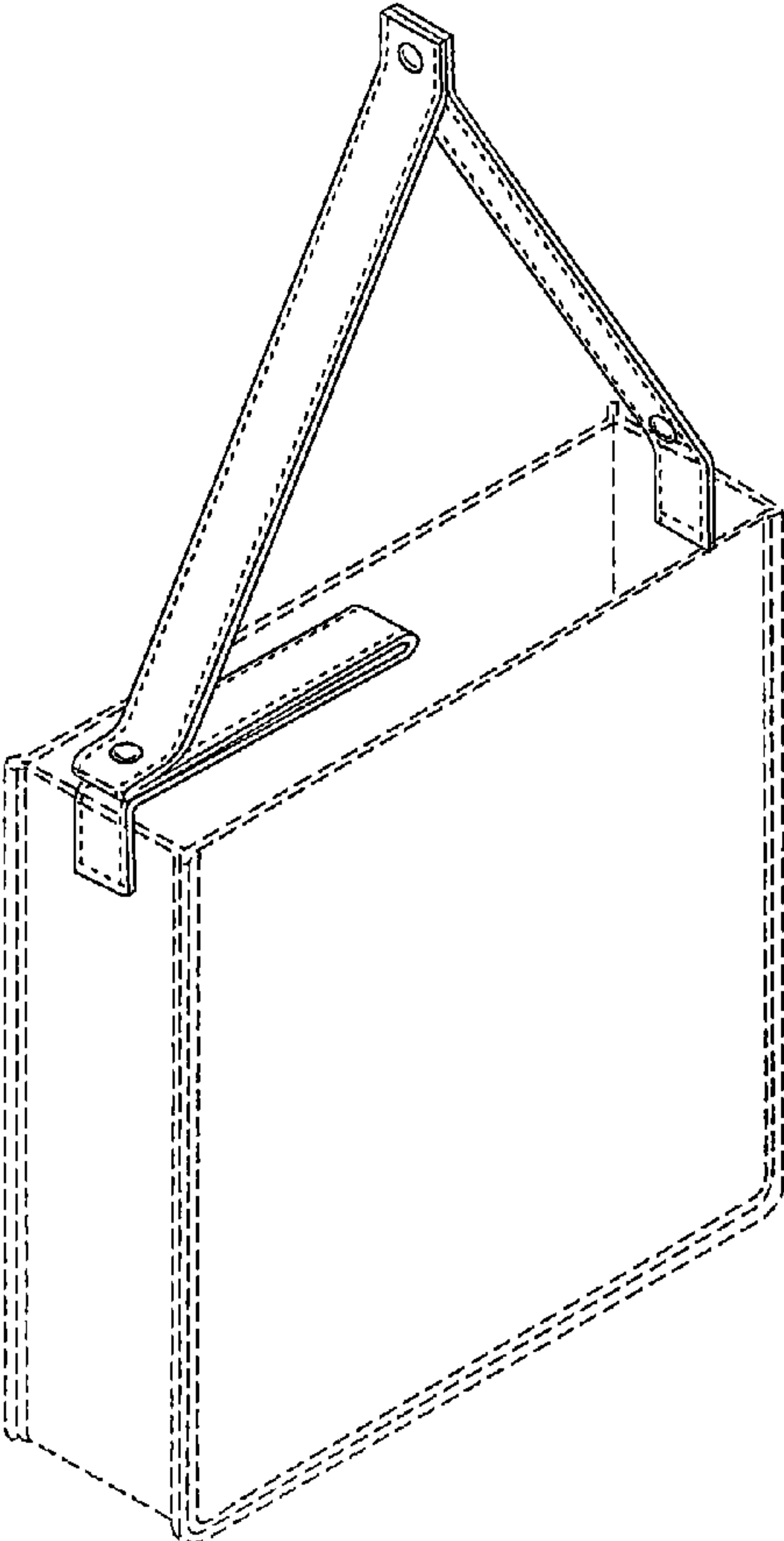


FIG. 8

