



US00D740030S

(12) **United States Design Patent**
Wang et al.

(10) **Patent No.:** **US D740,030 S**
(45) **Date of Patent:** **** Oct. 6, 2015**

(54) **BAG WITH SKELETAL CORNERS**

(56) **References Cited**

(71) Applicant: **Alexander Wang Incorporated**, New York, NY (US)

U.S. PATENT DOCUMENTS

(72) Inventors: **Alexander Wang**, New York, NY (US);
Claudia Kim, Brooklyn, NY (US)

3,692,265 A * 9/1972 Barriger 248/220.1
D442,702 S * 5/2001 Wilson D25/102
D443,073 S * 5/2001 Wilson D25/102

(73) Assignee: **Alexander Wang Incorporated**, New York, NY (US)

Primary Examiner — Holly Baynham
(74) *Attorney, Agent, or Firm* — McCarter & English, LLP

(**) Term: **14 Years**

(57) **CLAIM**
The ornamental design for a bag with skeletal corners, as shown.

(21) Appl. No.: **29/490,069**

DESCRIPTION

(22) Filed: **May 6, 2014**

Related U.S. Application Data

(62) Division of application No. 29/444,182, filed on Jan. 28, 2013, now Pat. No. Des. 712,654.

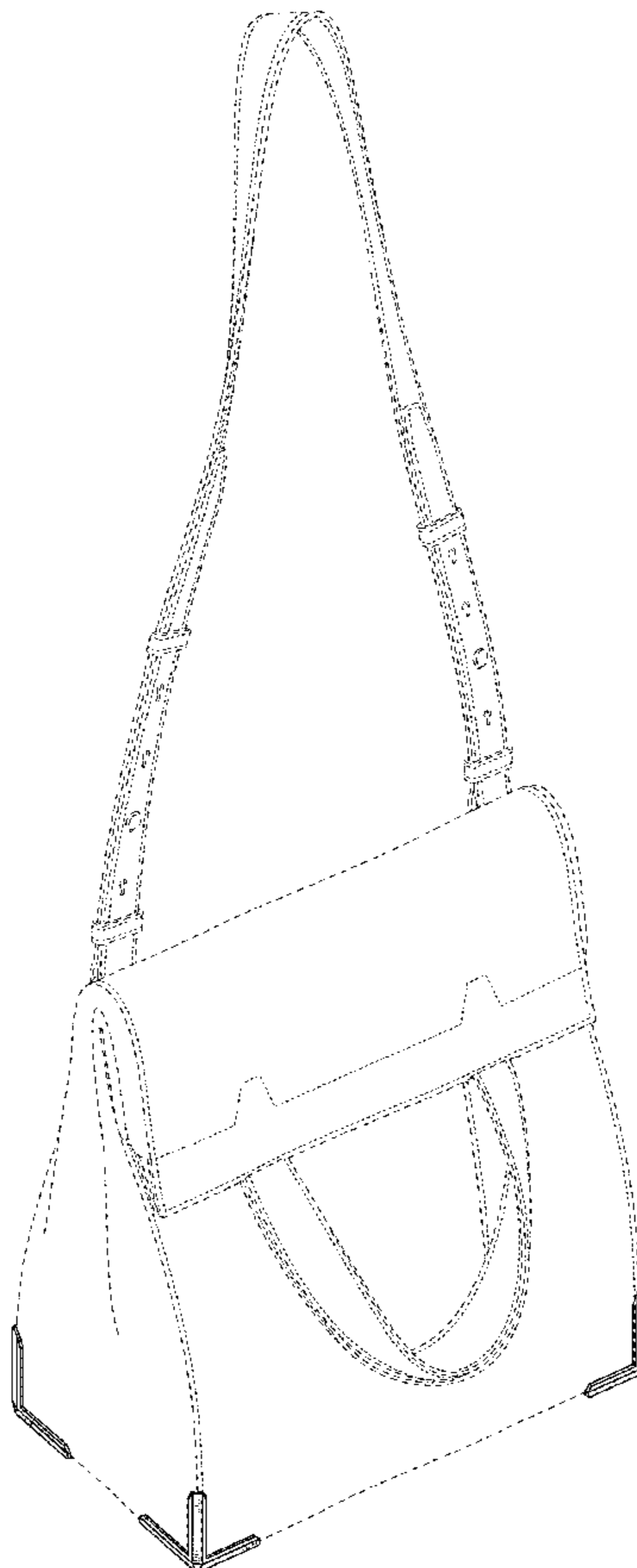
(51) **LOC (10) Cl.** **03-01**

(52) **U.S. Cl.**
USPC **D3/318**

(58) **Field of Classification Search**
USPC D3/232–233, 240–243, 245–246, 318
CPC A45C 3/061; A45C 1/024; F16M 13/02
See application file for complete search history.

FIG. 1 is a front perspective view of a bag with skeletal corners showing a second aspect of our new design;
FIG. 2 is a front view thereof;
FIG. 3 is a rear view thereof;
FIG. 4 is a right side view thereof;
FIG. 5 is a left side view thereof;
FIG. 6 is a top view thereof;
FIG. 7 is a bottom view thereof; and,
FIG. 8 is a rear perspective view of a bag with skeletal corners. The broken lines showing a handbag, the face of the end caps and the companion end cap are for the purposes of illustrating environment and form no part of the claimed design.

1 Claim, 6 Drawing Sheets



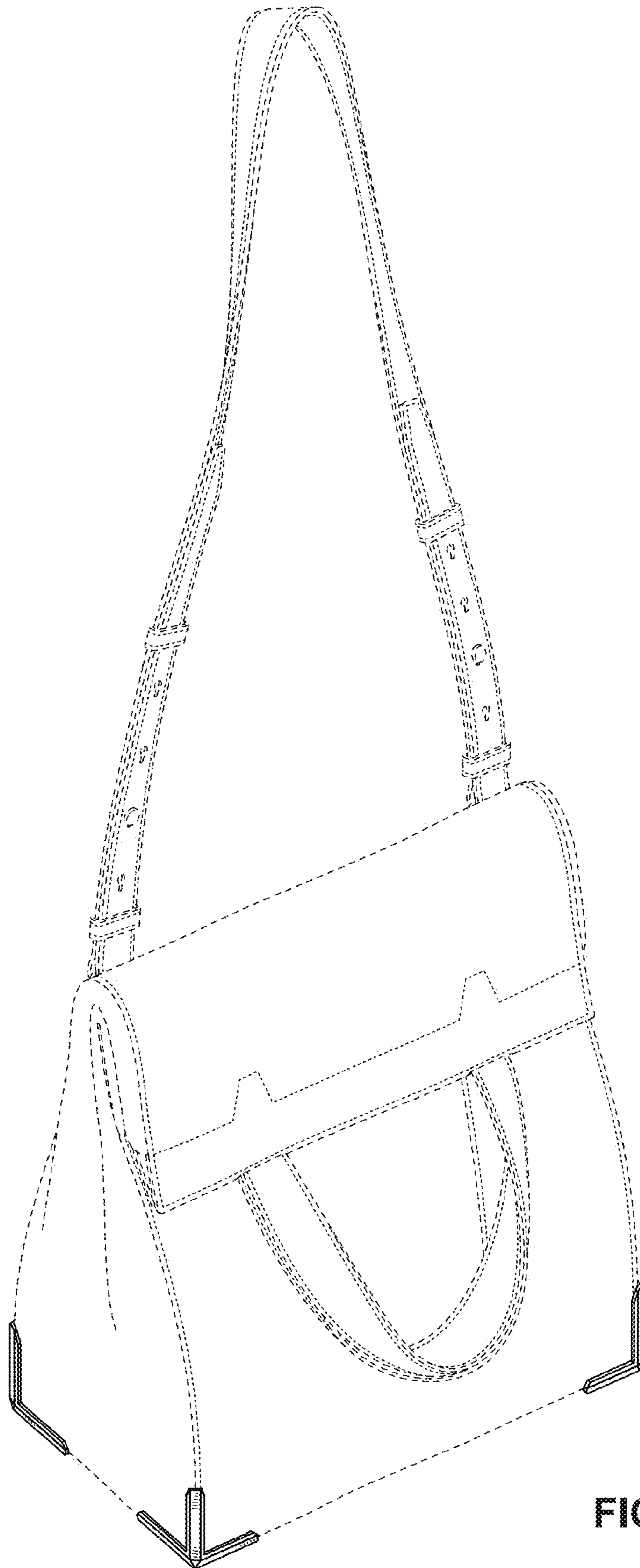


FIG. 1

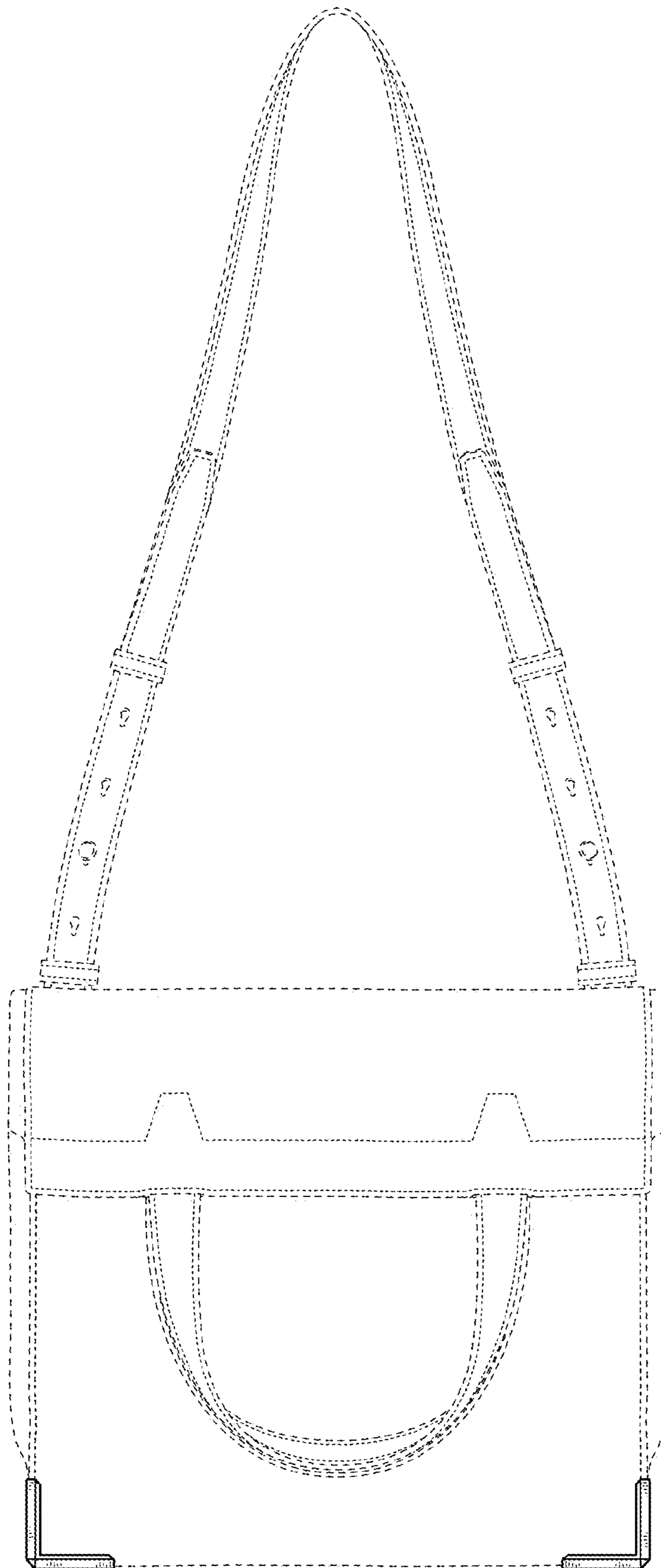


FIG. 2

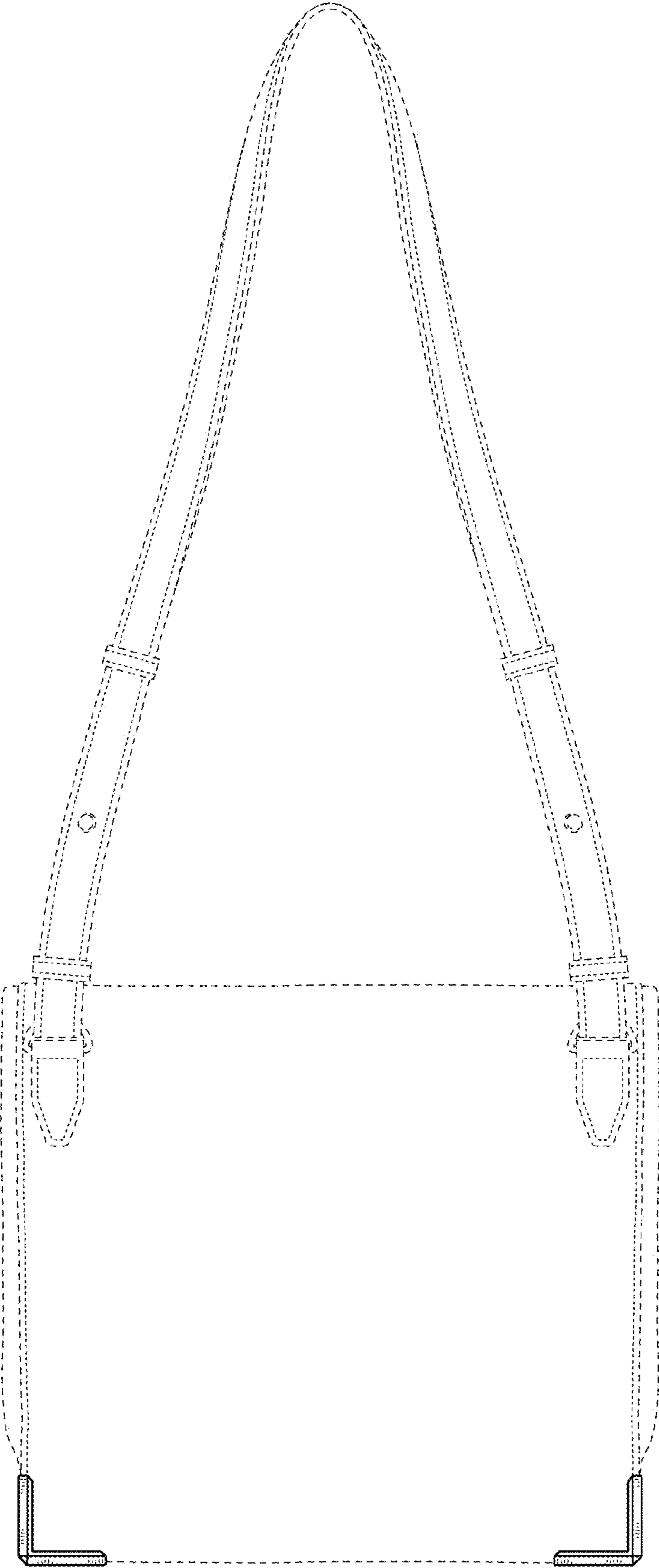


FIG. 3

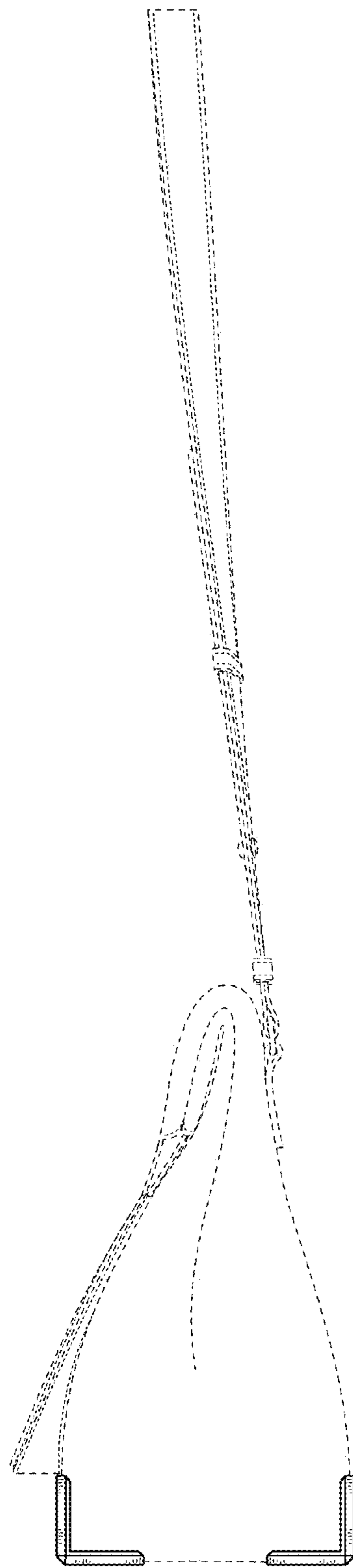


FIG. 4

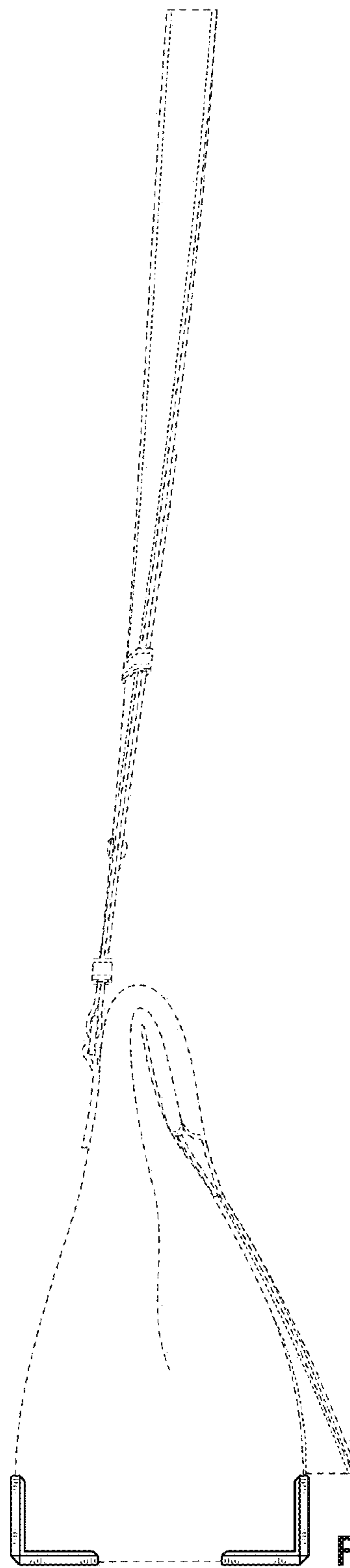


FIG. 5

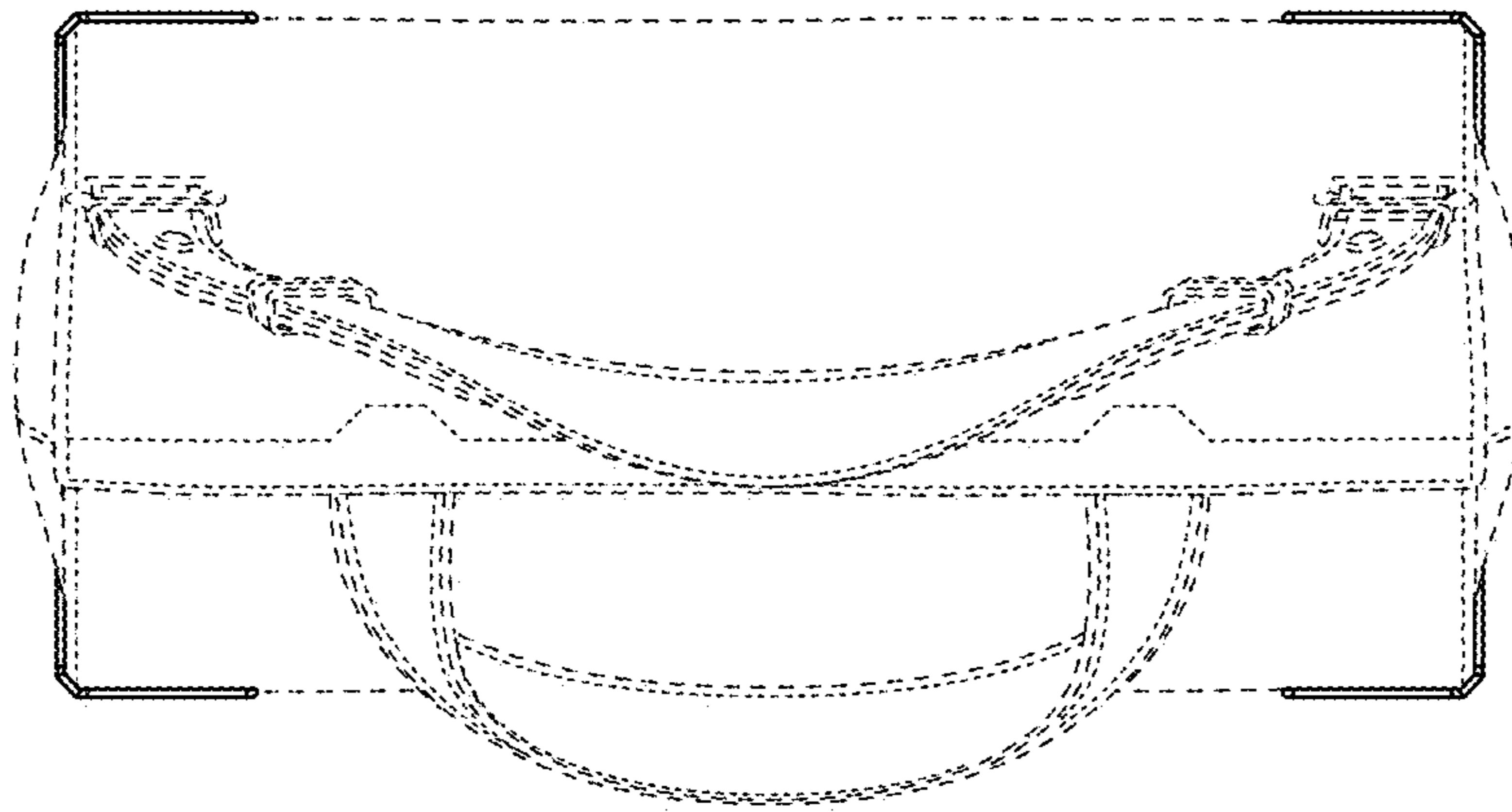


FIG. 6

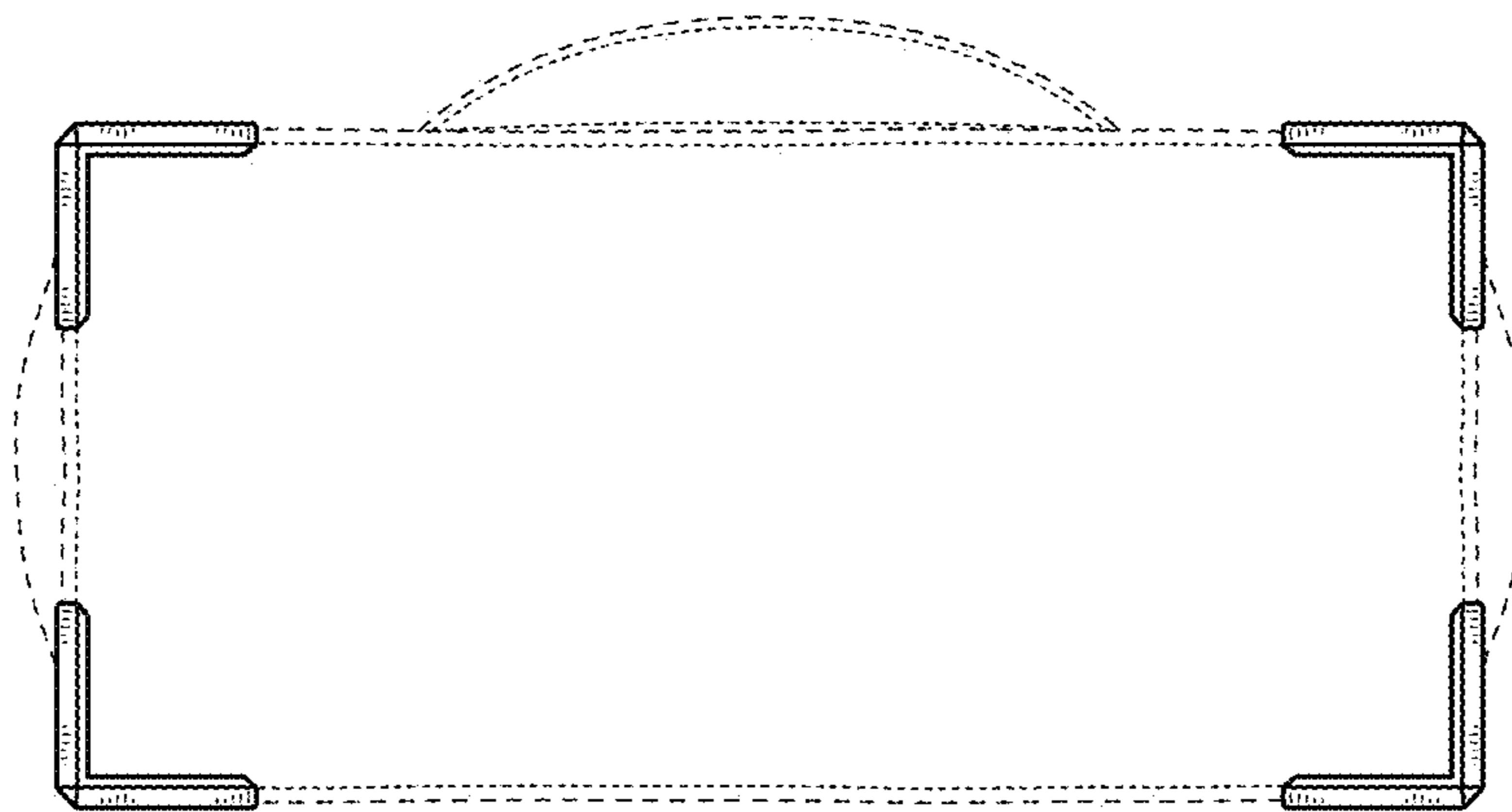


FIG. 7

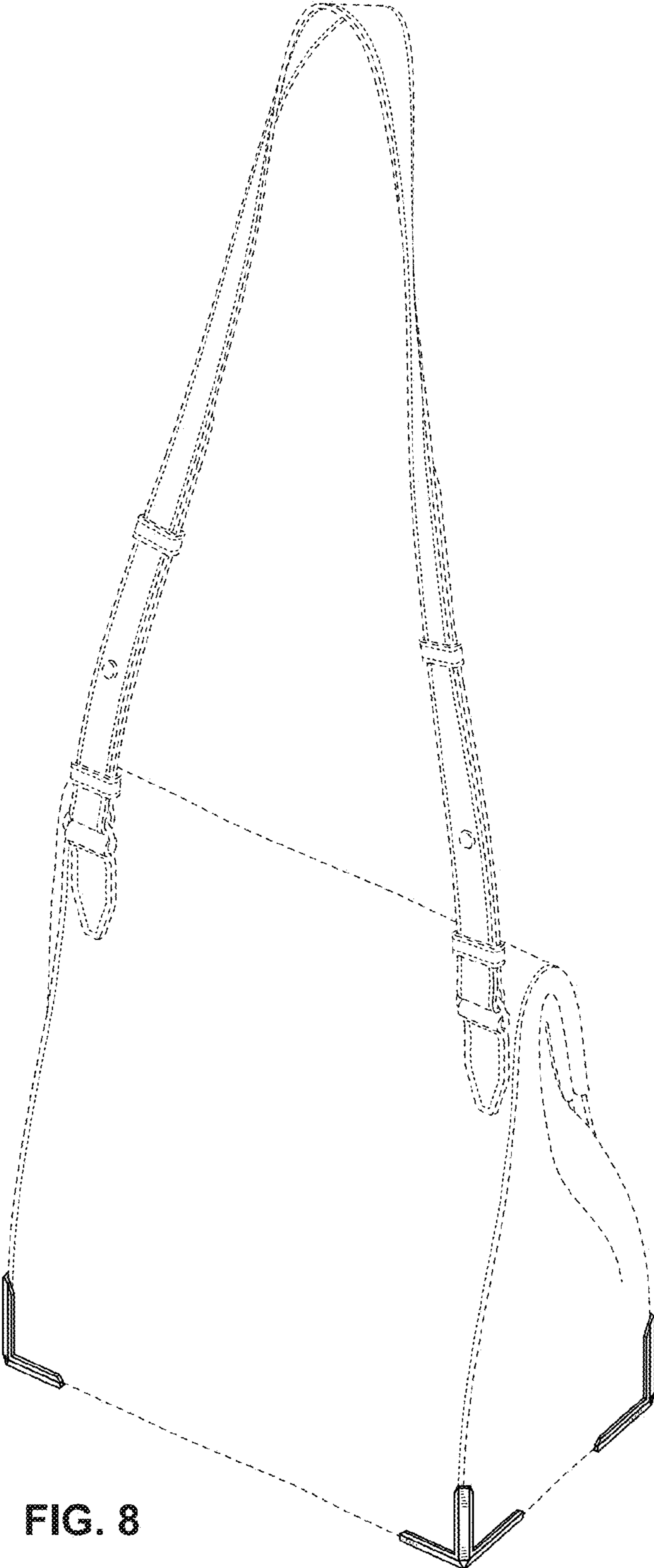


FIG. 8