



US00D740029S

(12) **United States Design Patent**
Otto et al.

(10) **Patent No.:** **US D740,029 S**

(45) **Date of Patent:** **** Oct. 6, 2015**

(54) **COMBINED STACKABLE CONTAINER AND LID**

(71) Applicants: **Greg Otto**, Lake Worth, FL (US); **Jeff Beverly**, Lake Worth, FL (US)

(72) Inventors: **Greg Otto**, Lake Worth, FL (US); **Jeff Beverly**, Lake Worth, FL (US)

(**) Term: **14 Years**

(21) Appl. No.: **29/490,937**

(22) Filed: **May 15, 2014**

Related U.S. Application Data

(63) Continuation-in-part of application No. 29/455,102, filed on May 16, 2013.

(51) **LOC (10) Cl.** **03-01**

(52) **U.S. Cl.**

USPC **D3/302**; D9/504

(58) **Field of Classification Search**

USPC D3/273, 203.1, 274, 294, 298, 302, 901, D3/903; D7/392.1; D9/503, 505, 428, 504, D9/454, 509, 551; D27/190, 191; 206/508, 206/509, 511, 499; 220/4.26, 23.83, 802, 220/783, 701, 200; 215/10

CPC B65D 25/2897; B65D 21/00; B65D 1/10; B65D 21/0222; A24F 23/00

See application file for complete search history.

(56) **References Cited**

U.S. PATENT DOCUMENTS

2,076,550 A * 4/1937 Conner 215/12.1
3,091,361 A * 5/1963 Gawron 206/508

(Continued)

OTHER PUBLICATIONS

Amazon.com, SLiK nonSTiK Stackable Non-Stick Concentrate Storage Containers, Accessed Feb. 26, 2015.*

Primary Examiner — Jennifer Rivard

Assistant Examiner — April Rivas

(74) *Attorney, Agent, or Firm* — QuickPatents; Kevin Price

(57) **CLAIM**

We claim the ornamental design for a combined stackable container and lid, as shown and described.

DESCRIPTION

FIG. 1 is an exploded top perspective view of a combined stackable container and lid, showing a first embodiment of our new design;

FIG. 2 is an exploded bottom perspective view of FIG. 1;

FIG. 3 is a perspective top view of FIG. 1 in a closed configuration;

FIG. 4 is an exploded left-side elevational view of FIG. 1, the right-side elevational view being a mirror image thereof;

FIG. 5 is an exploded top plan view of FIG. 1 with the lid shown adjacent to the container;

FIG. 6 is an exploded bottom plan view of FIG. 1 with the lid shown adjacent to the container;

FIG. 7 is an exploded cross-sectional view, taken along line 7-7 of FIG. 4;

FIG. 8 is an exploded top perspective view of a second embodiment thereof;

FIG. 9 is an exploded bottom perspective view of FIG. 8;

FIG. 10 is a perspective top view of FIG. 8 in a closed configuration;

FIG. 11 is an exploded left-side elevational view of FIG. 8, the right-side elevational view being a mirror image thereof;

FIG. 12 is an exploded top plan view of FIG. 8 with the lid shown adjacent to the container;

FIG. 13 is an exploded bottom plan view of FIG. 8 with the lid shown adjacent to the container;

FIG. 14 is an exploded cross-sectional view, taken along line 14-14 of FIG. 11;

FIG. 15 is an exploded top perspective view of a third embodiment thereof;

FIG. 16 is an exploded bottom perspective view of FIG. 15; and

FIG. 17 is a perspective top view of FIG. 15 in a closed configuration;

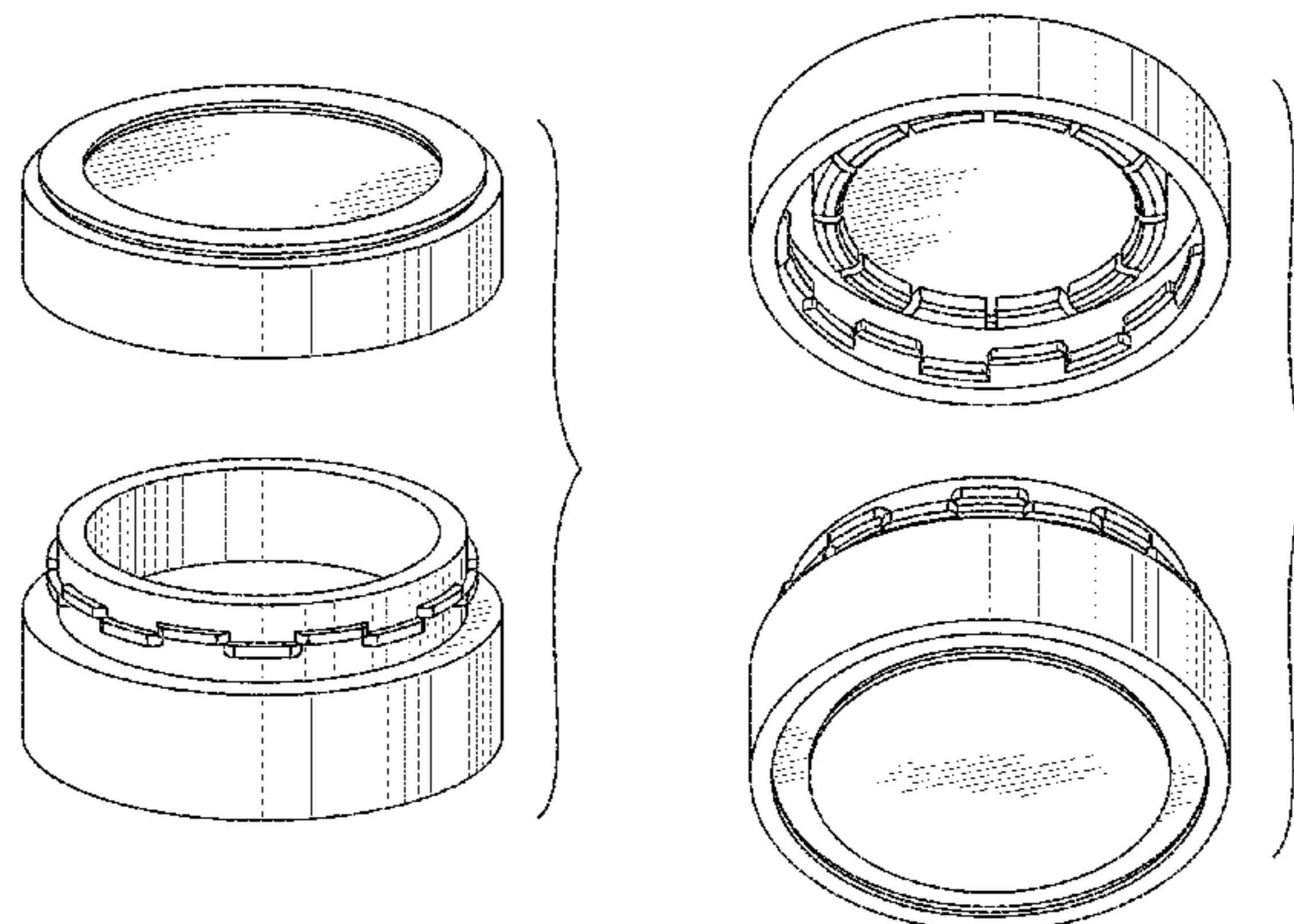
FIG. 18 is an exploded left-side elevational view of FIG. 15, the right-side elevational view being a mirror image thereof;

FIG. 19 is an exploded top plan view of FIG. 15 with the lid shown adjacent to the container;

FIG. 20 is an exploded bottom plan view of FIG. 15 with the lid shown adjacent to the container; and,

FIG. 21 is an exploded cross-sectional view, taken along line 21-21 of FIG. 18.

1 Claim, 7 Drawing Sheets



(56)

References Cited

U.S. PATENT DOCUMENTS

D350,460 S *	9/1994	Picozza et al.	D7/629	D643,694 S *	8/2011	Lu	D7/629
5,709,314 A *	1/1998	Petry	220/802	D651,519 S *	1/2012	Gibson et al.	D9/529
5,799,792 A *	9/1998	Abrums	206/508	D697,800 S *	1/2014	Villarreal et al.	D9/500
5,915,575 A *	6/1999	Morris, Sr.	215/214	D710,703 S *	8/2014	Marina et al.	D9/503
D510,524 S *	10/2005	Houk et al.	D9/503	D711,250 S *	8/2014	Henriksson	D9/669
D518,728 S *	4/2006	Frantz	D9/504	D719,715 S *	12/2014	Kesselman	D99/37
D530,208 S *	10/2006	Danne et al.	D9/504	2004/0031798 A1 *	2/2004	Fox et al.	220/359.1
D581,809 S *	12/2008	Wichowski	D9/772	2004/0238536 A1 *	12/2004	Volkman	220/4.26
D587,572 S *	3/2009	Sanders	D9/443	2008/0060965 A1 *	3/2008	Stevens et al.	206/508
D592,956 S *	5/2009	Thiellier	D9/504	2012/0085674 A1 *	4/2012	Kemper et al.	206/508
D605,529 S *	12/2009	Holtrop	D9/746	2014/0069917 A1 *	3/2014	Meyers et al.	220/23.88
				2014/0311940 A1 *	10/2014	Braveman	206/524.6
				2014/0346168 A1 *	11/2014	Wang	220/23.83

* cited by examiner

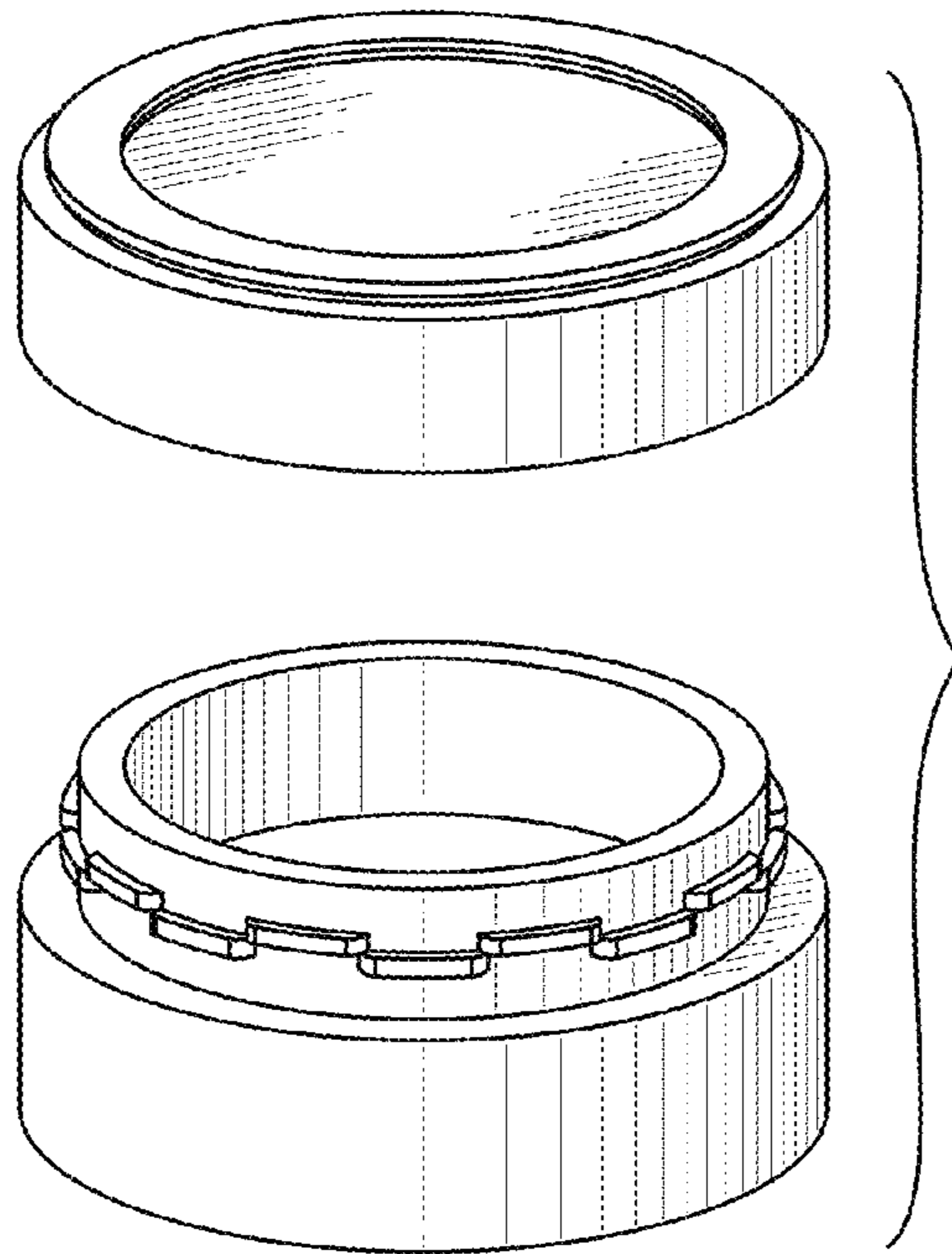


FIG. 1

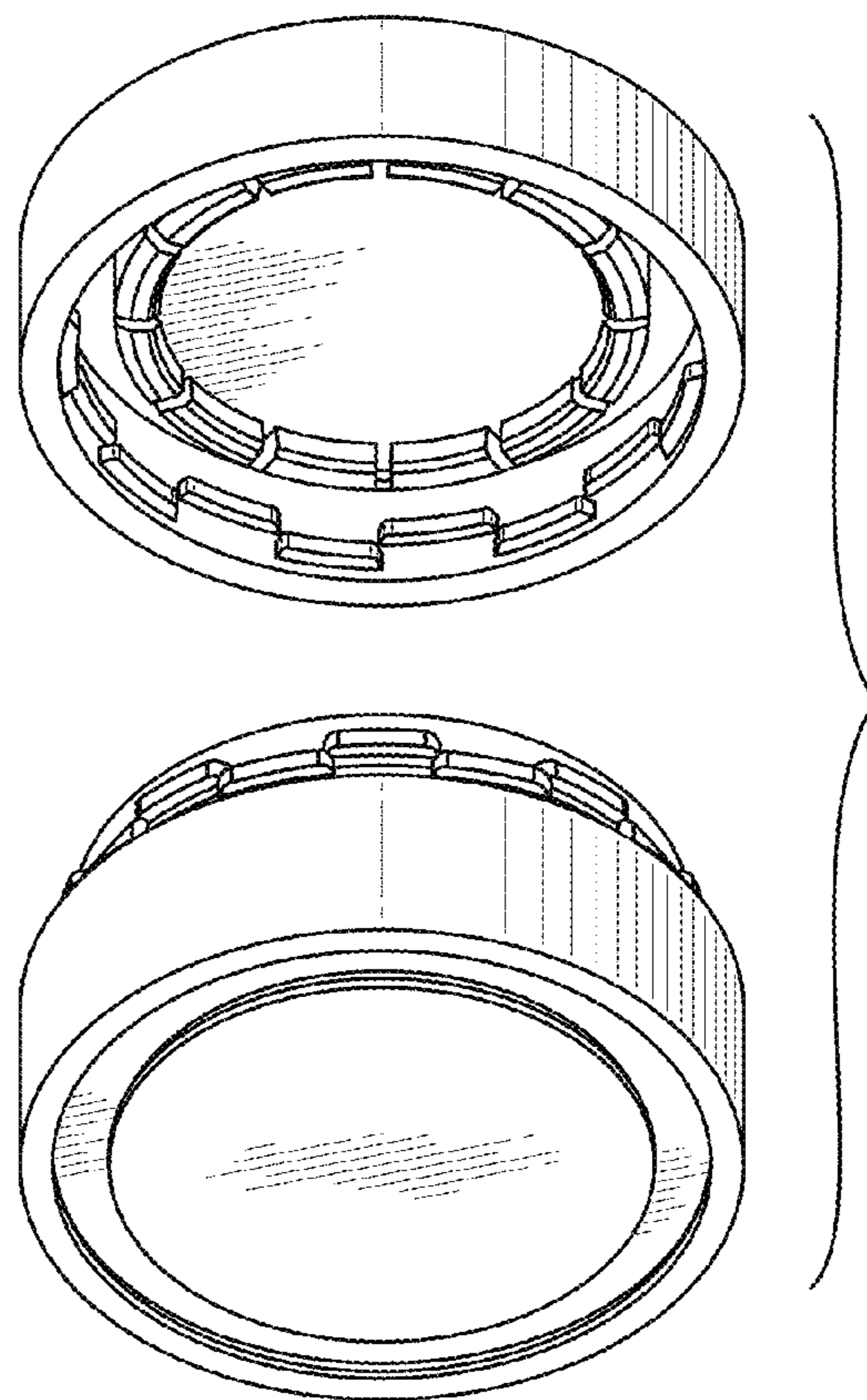


FIG. 2

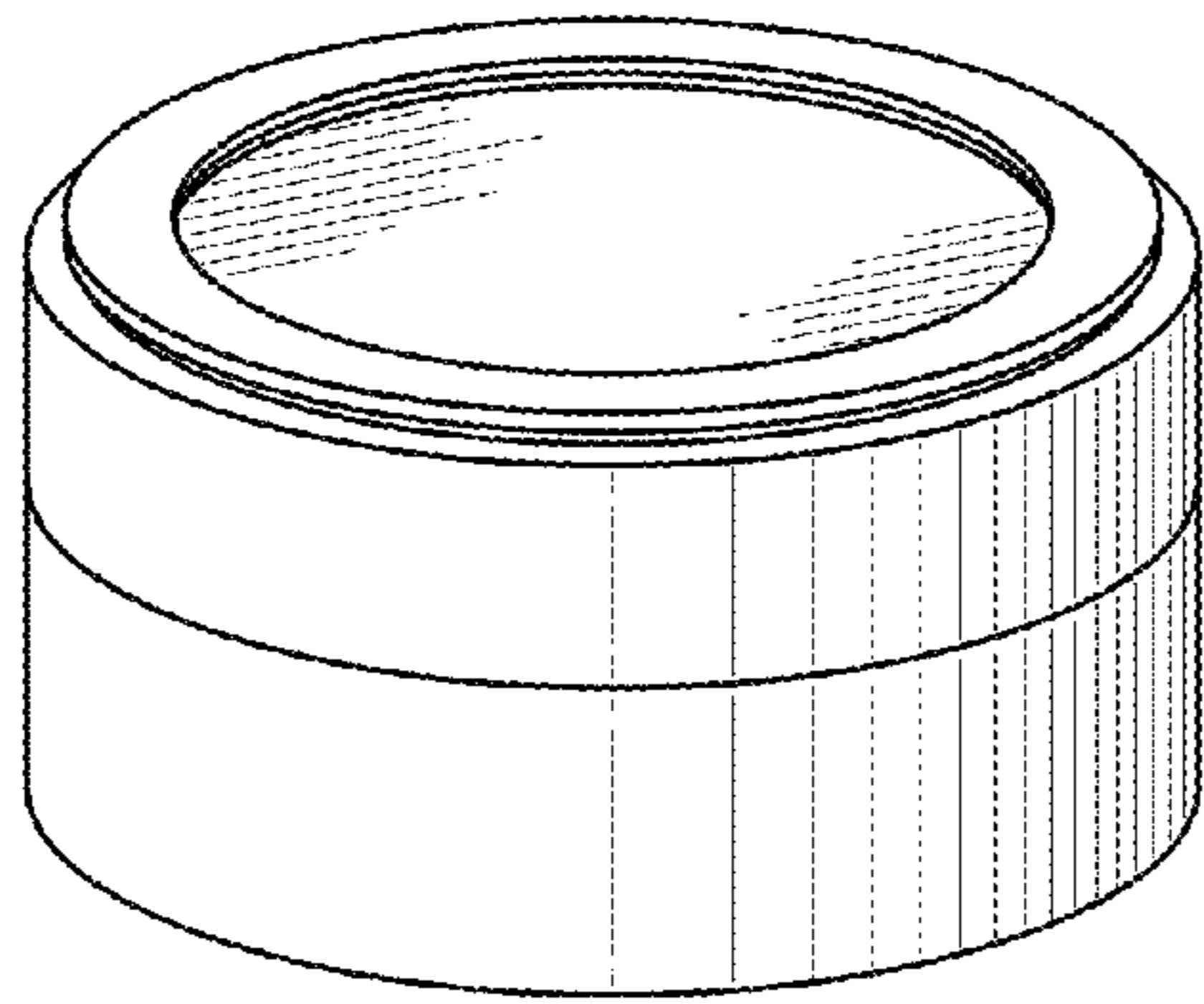


FIG. 3

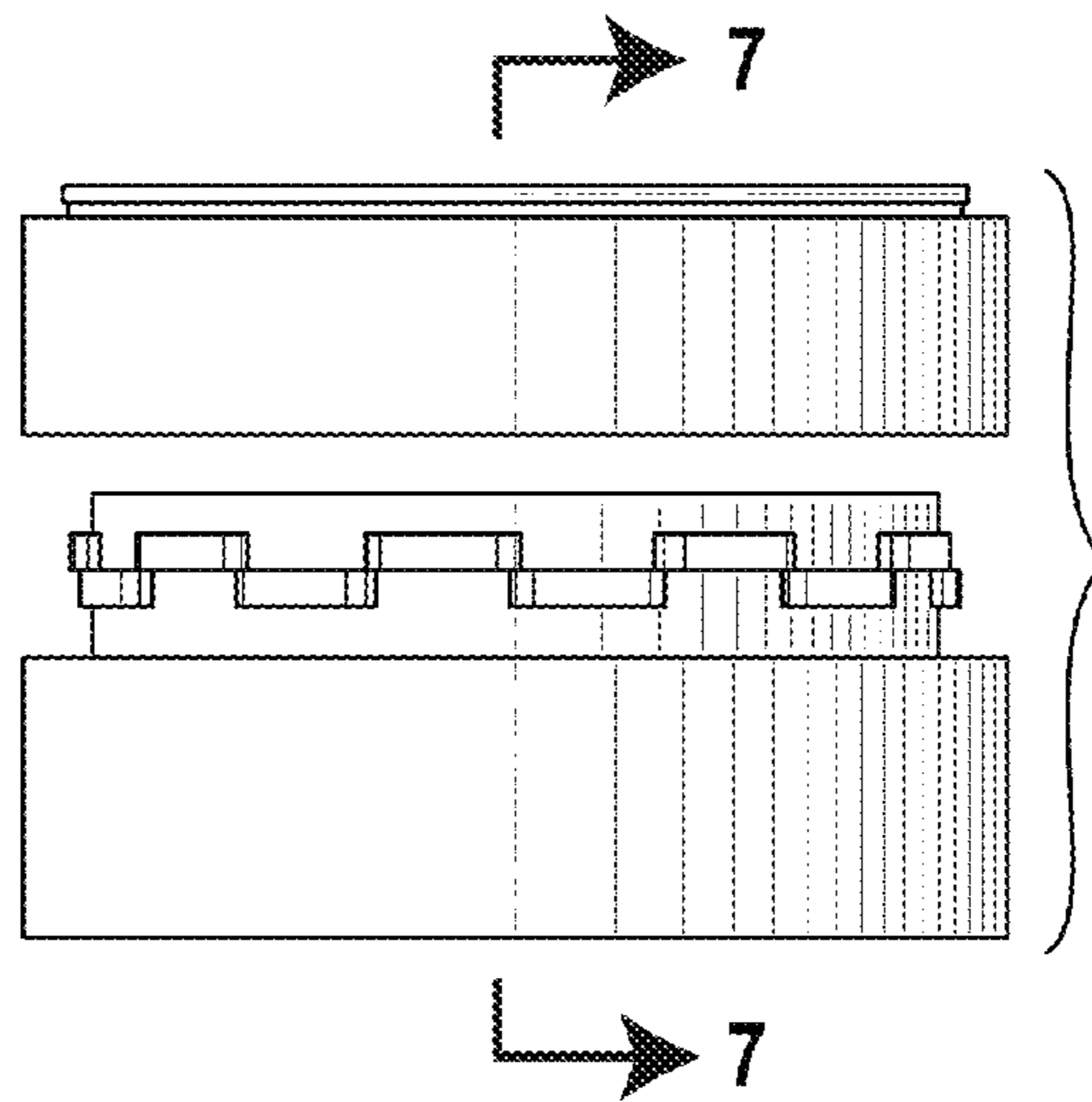


FIG. 4

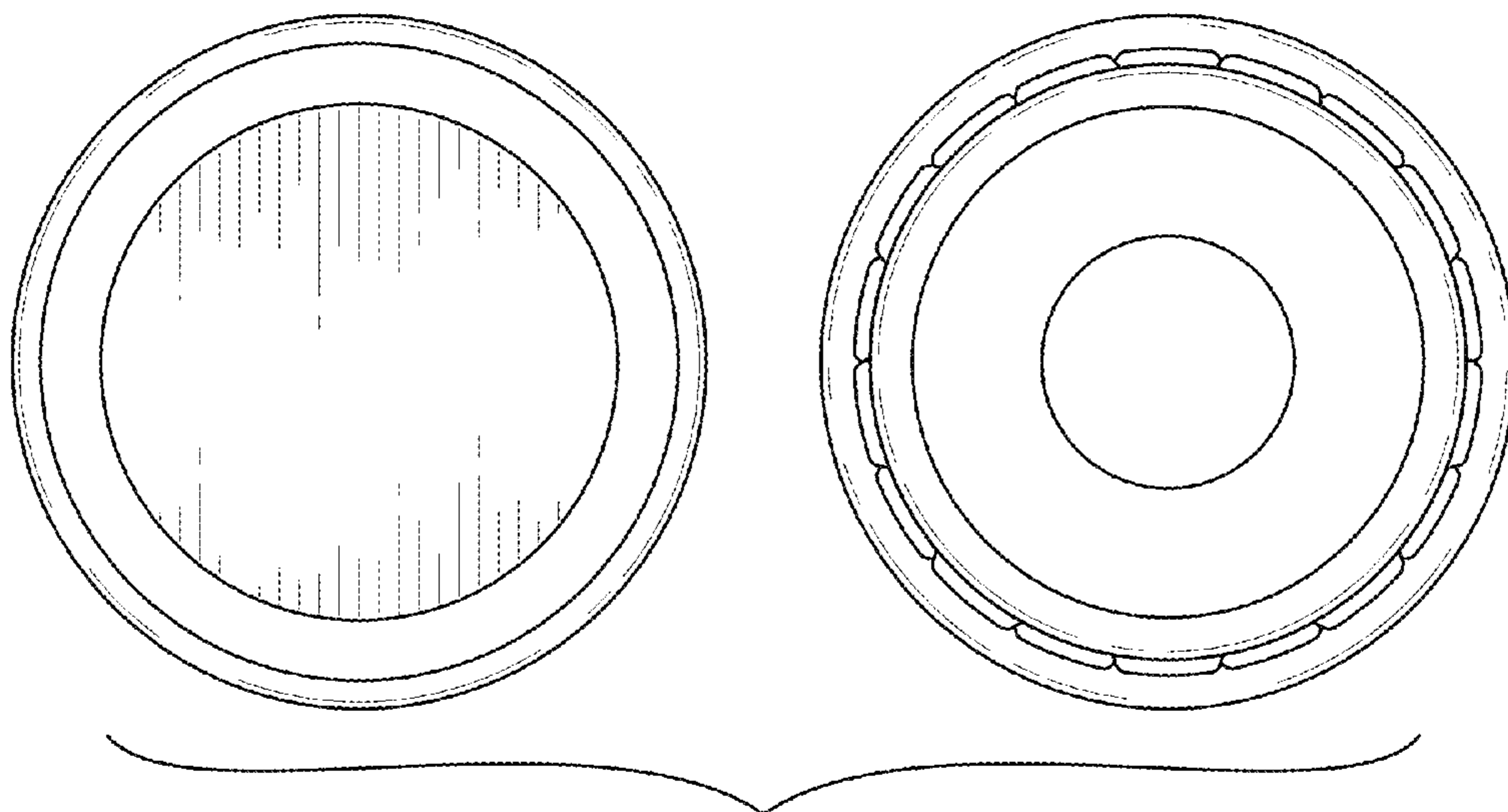


FIG. 5

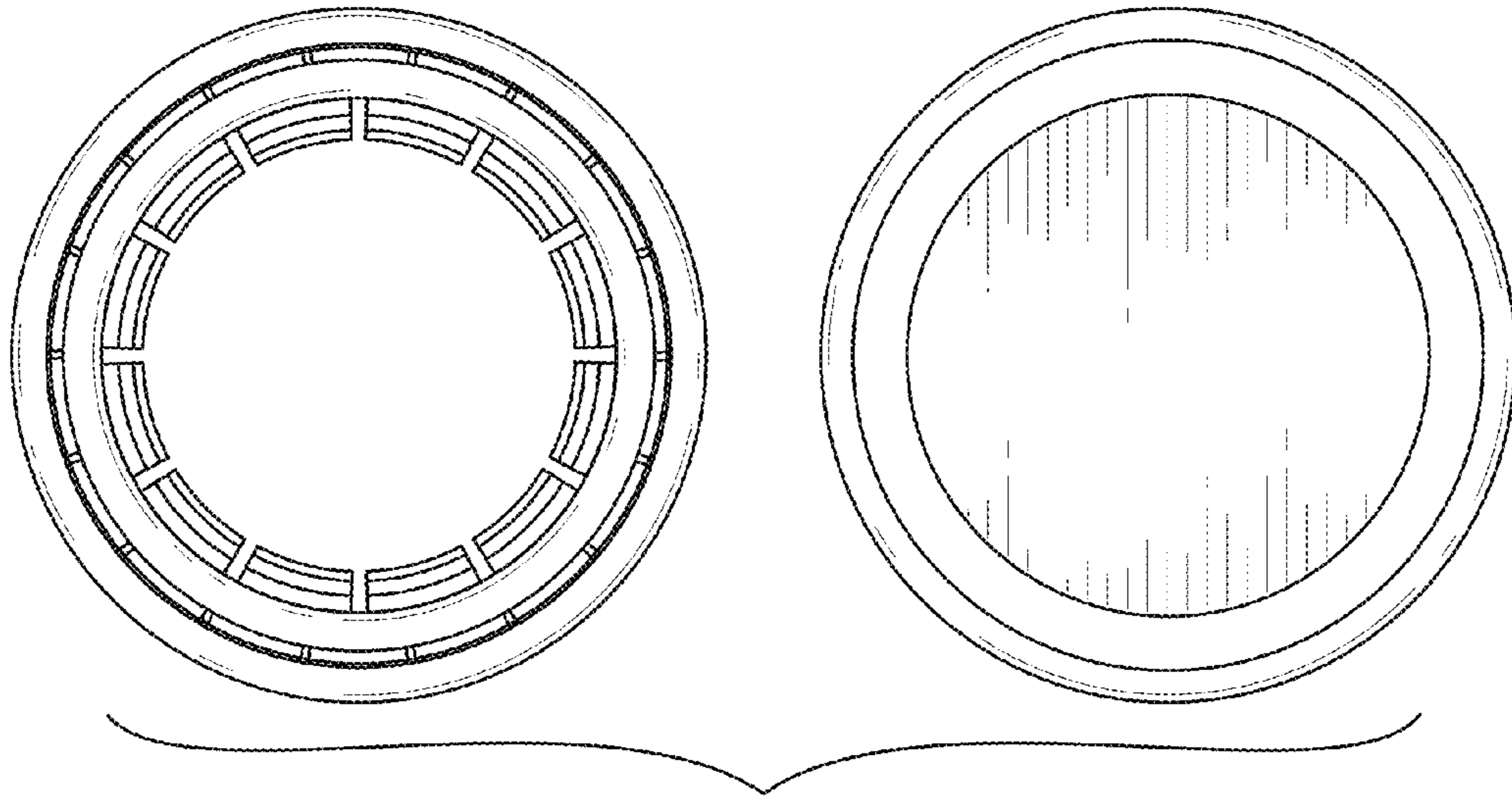


FIG. 6

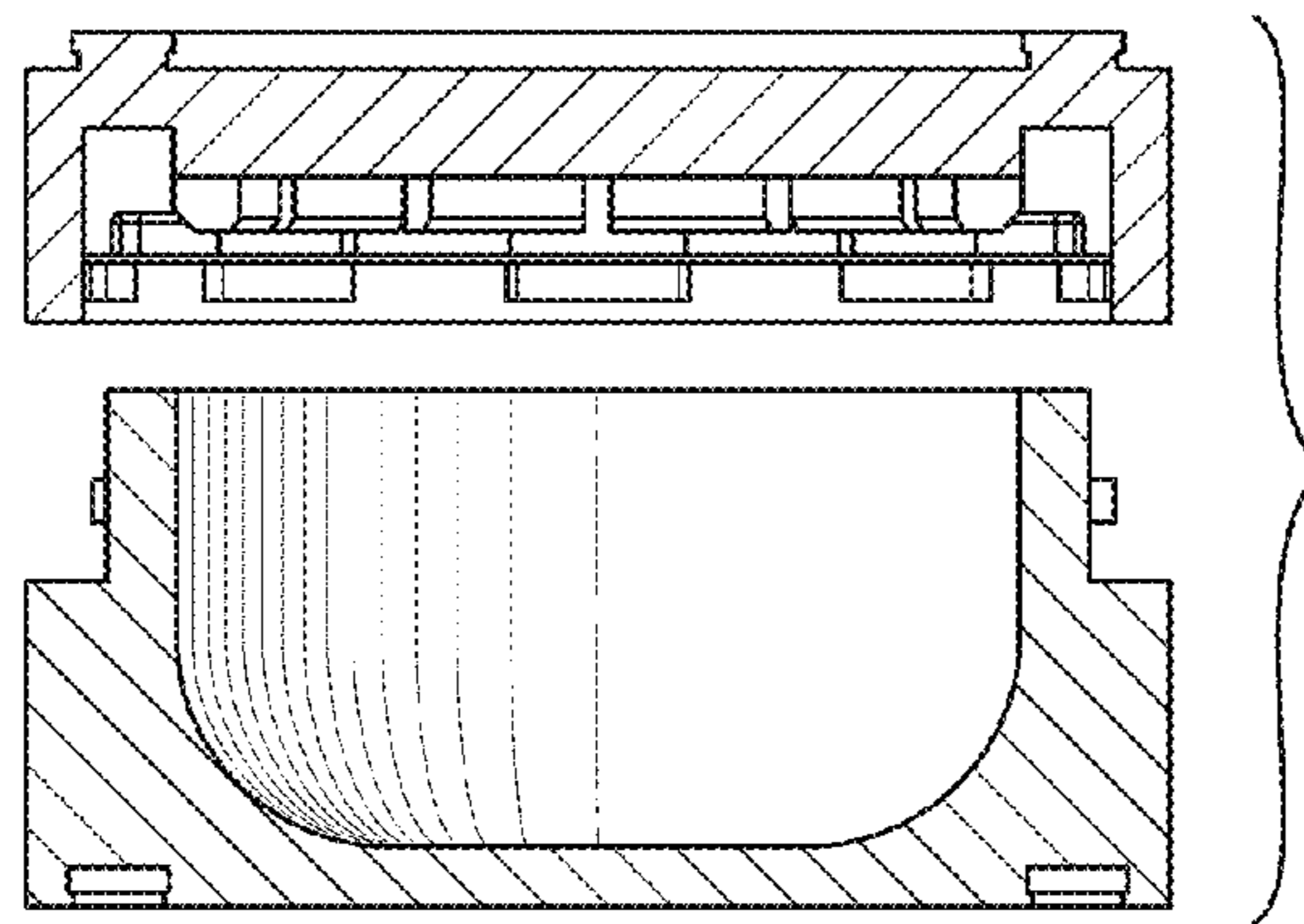


FIG. 7

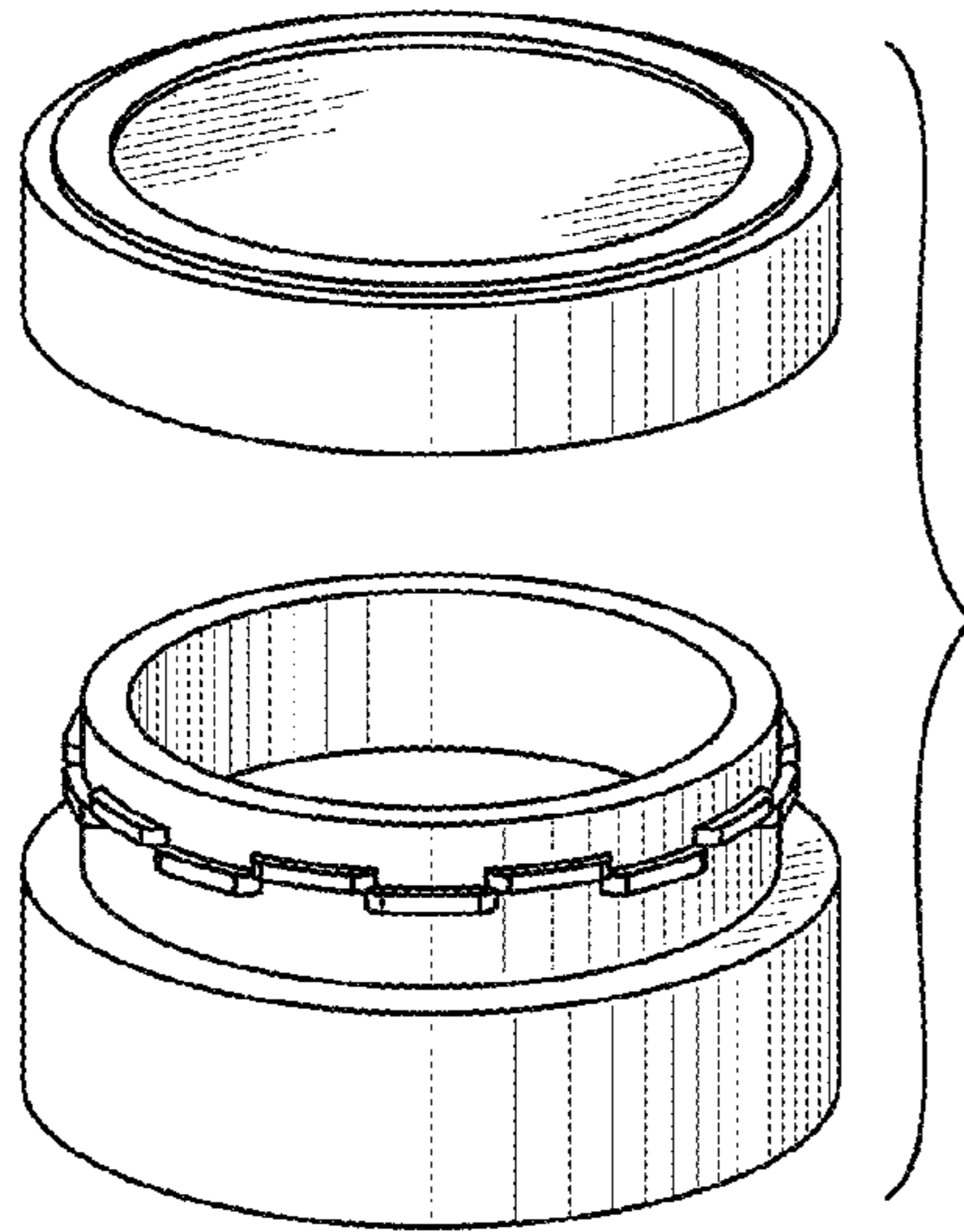


FIG. 8

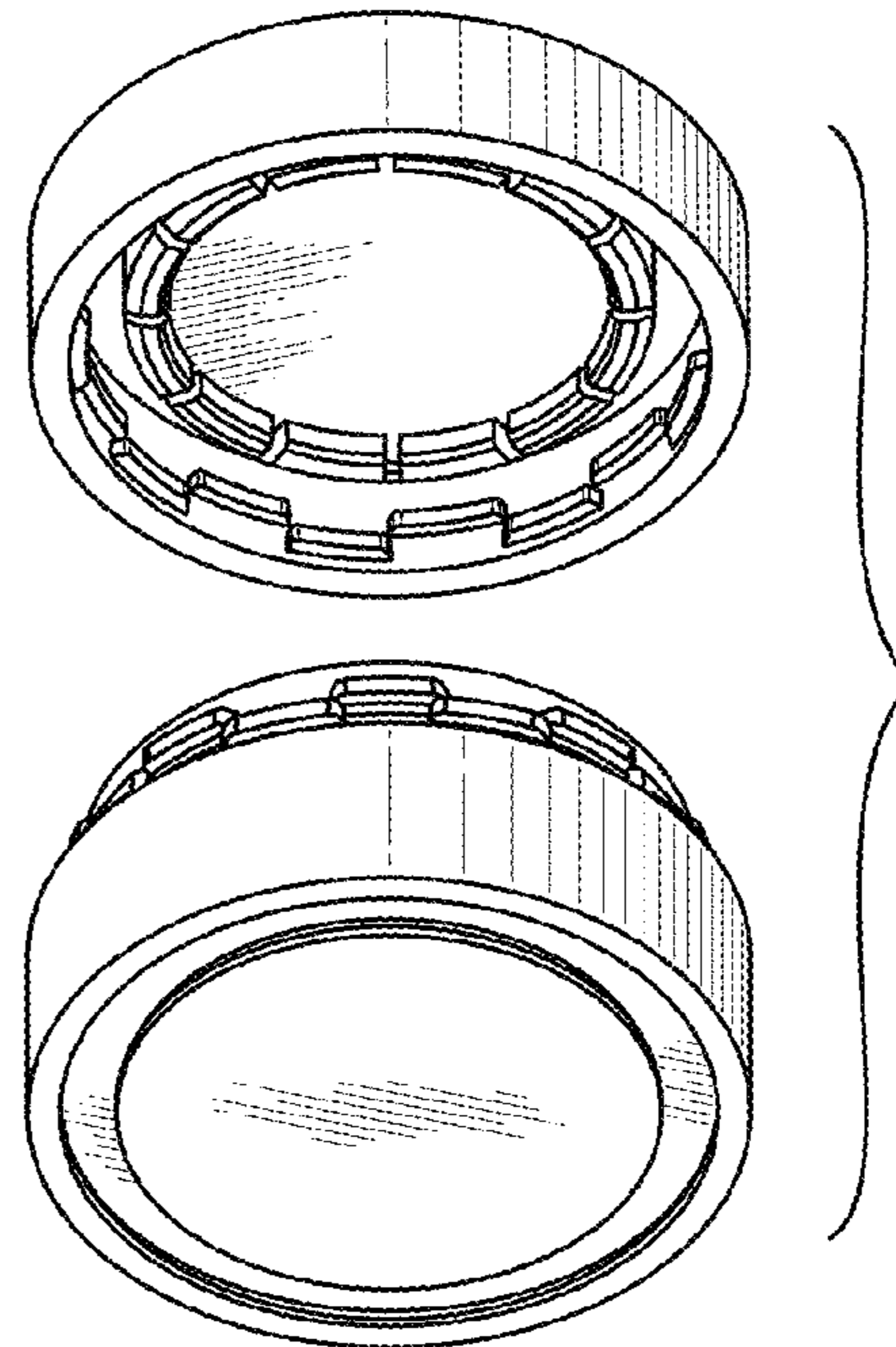


FIG. 9

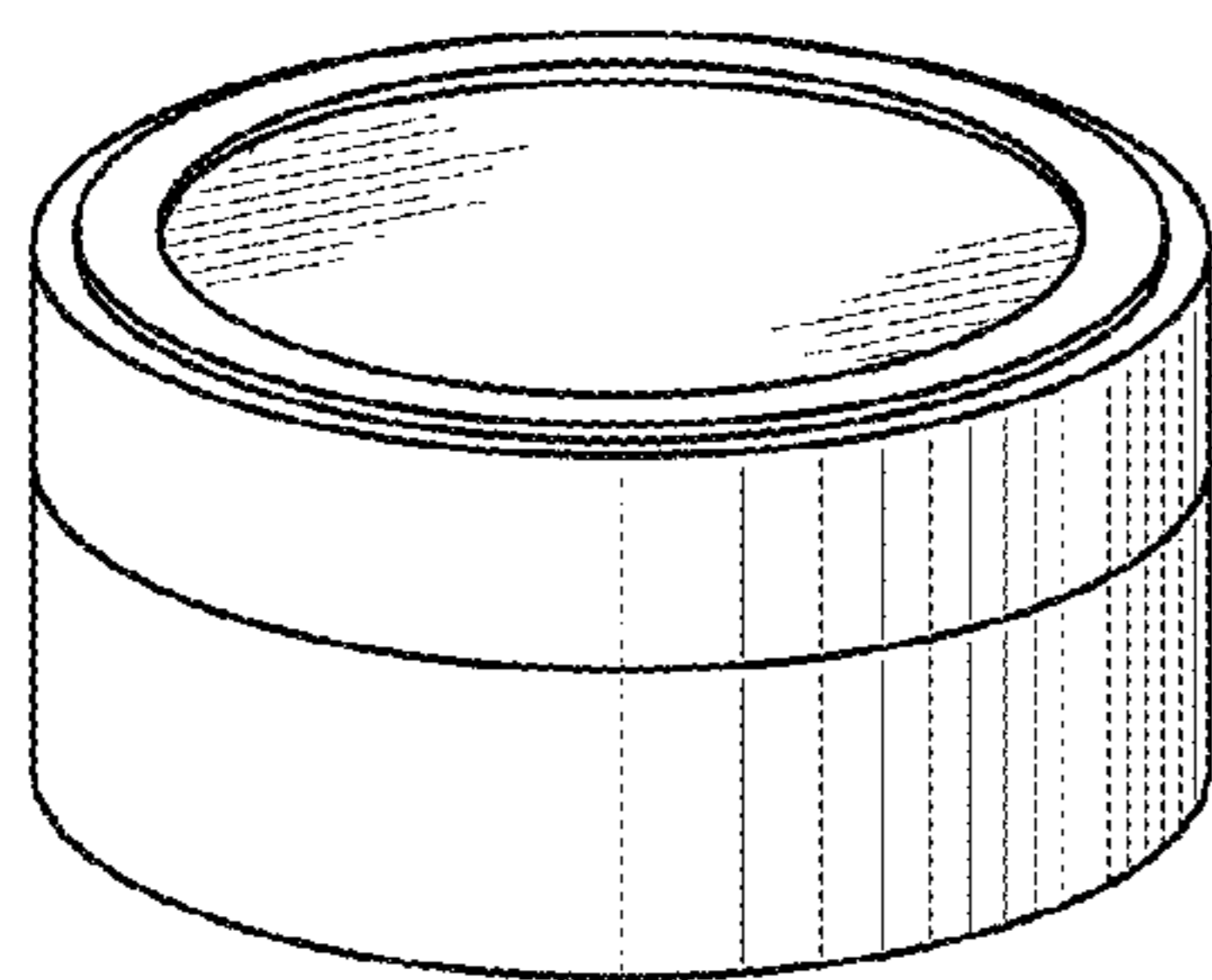


FIG. 10

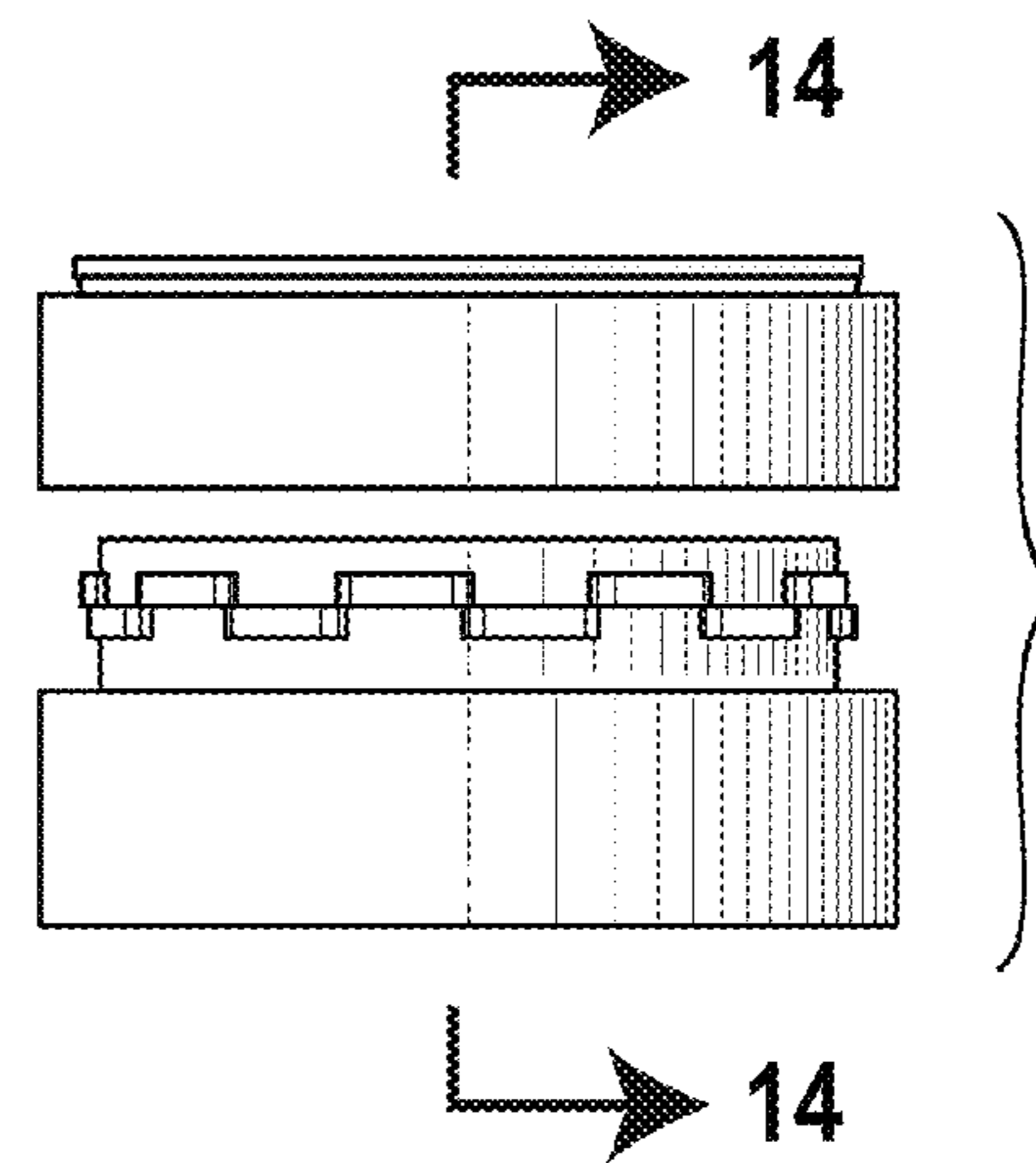


FIG. 11

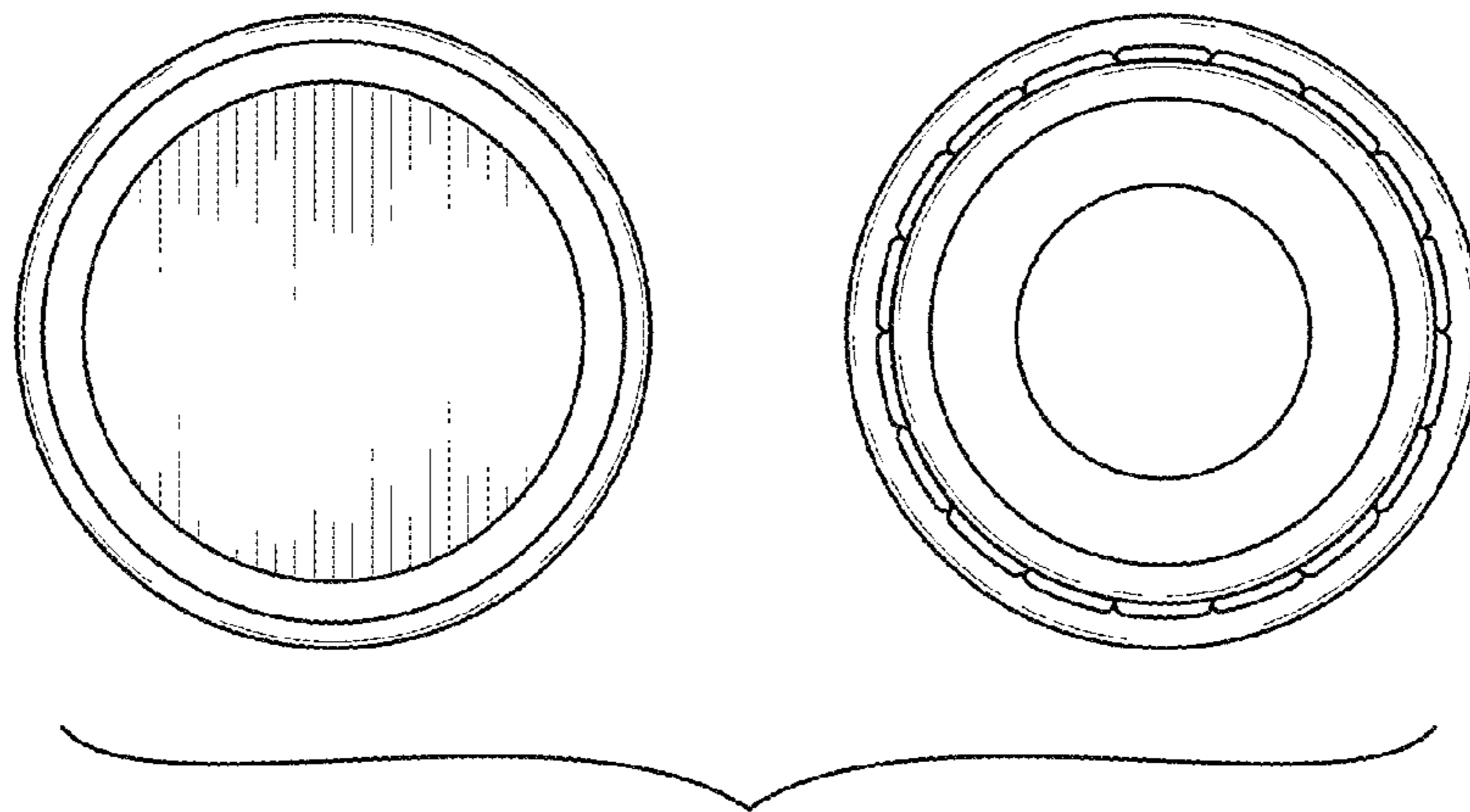


FIG. 12

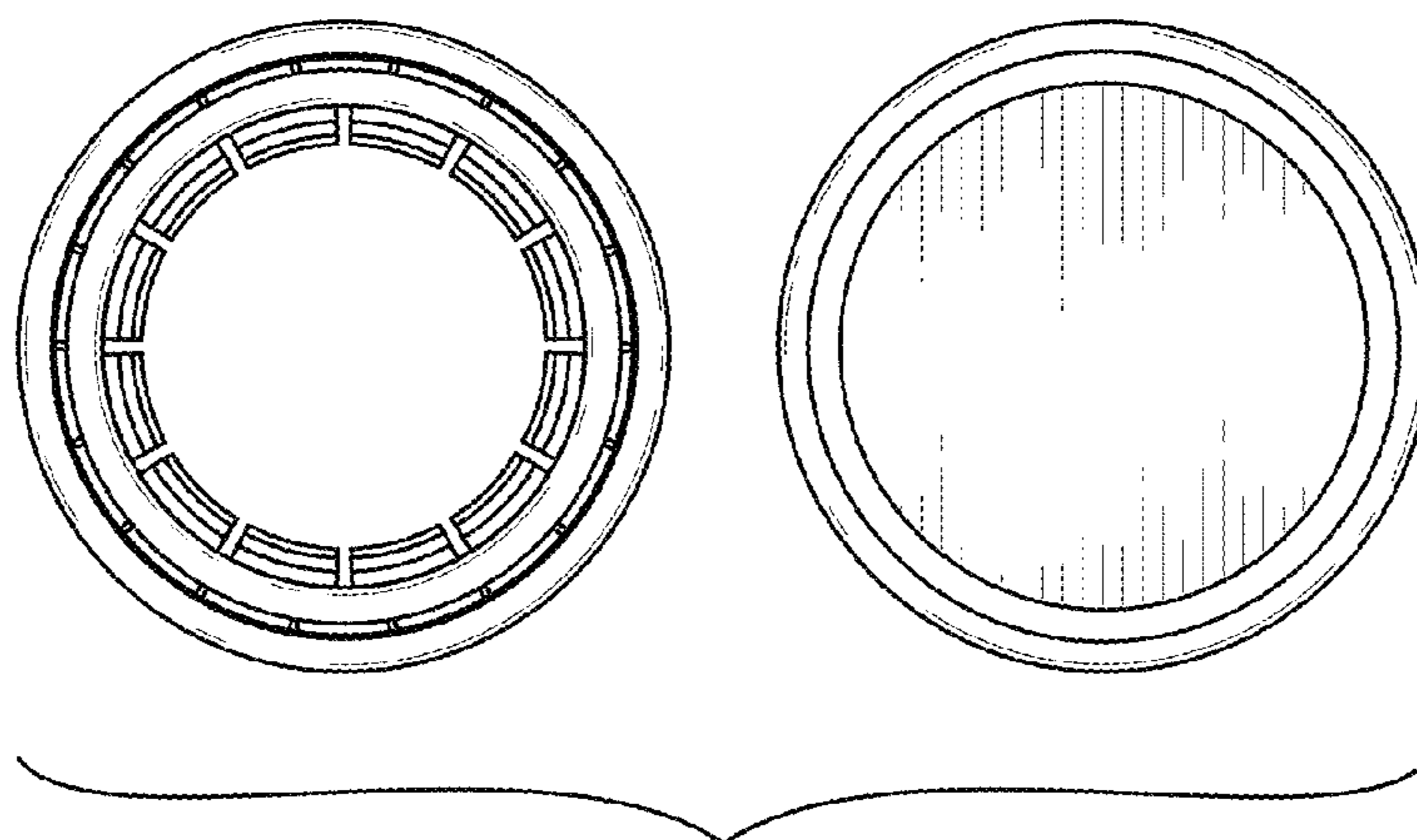


FIG. 13

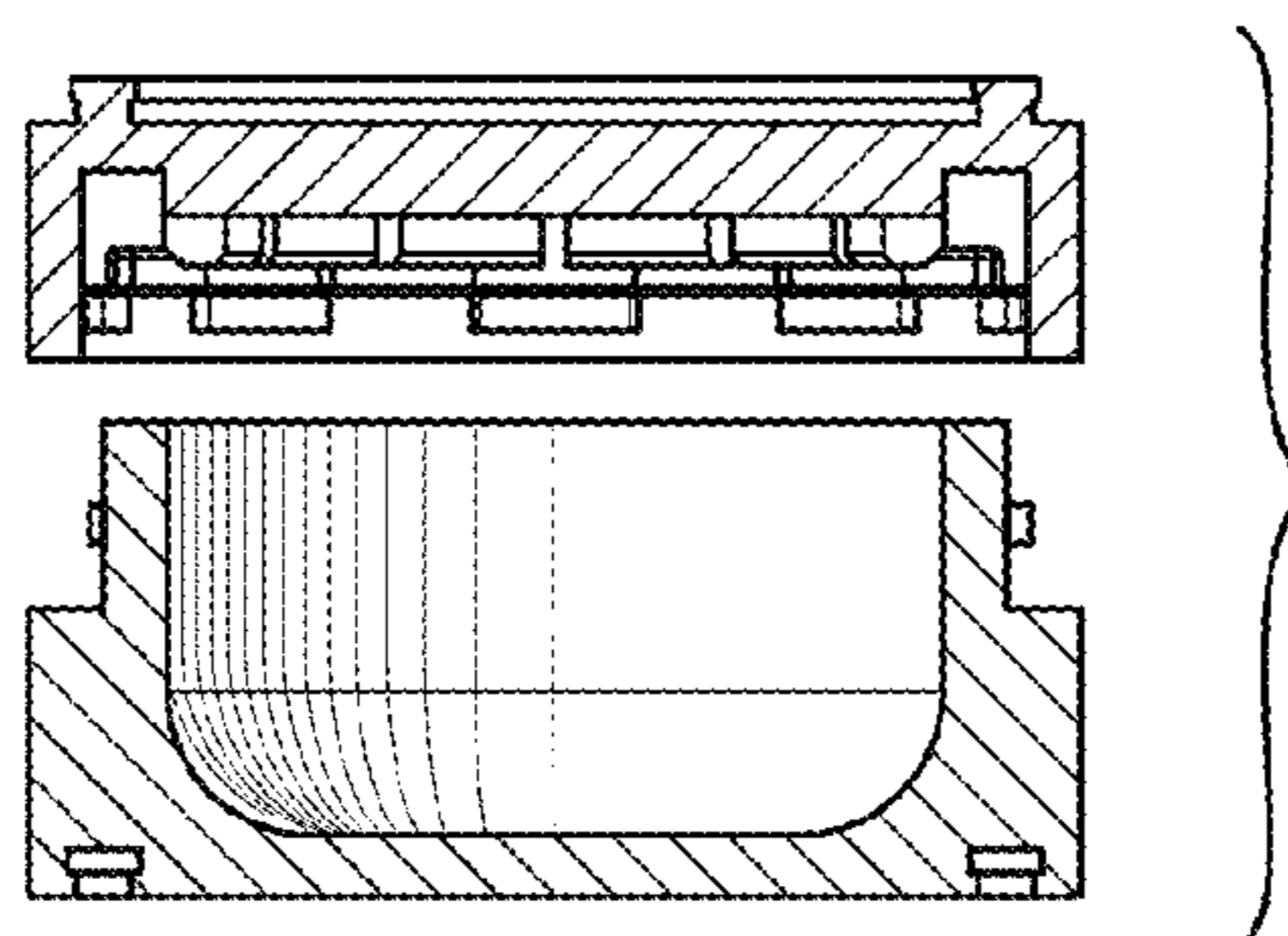


FIG. 14

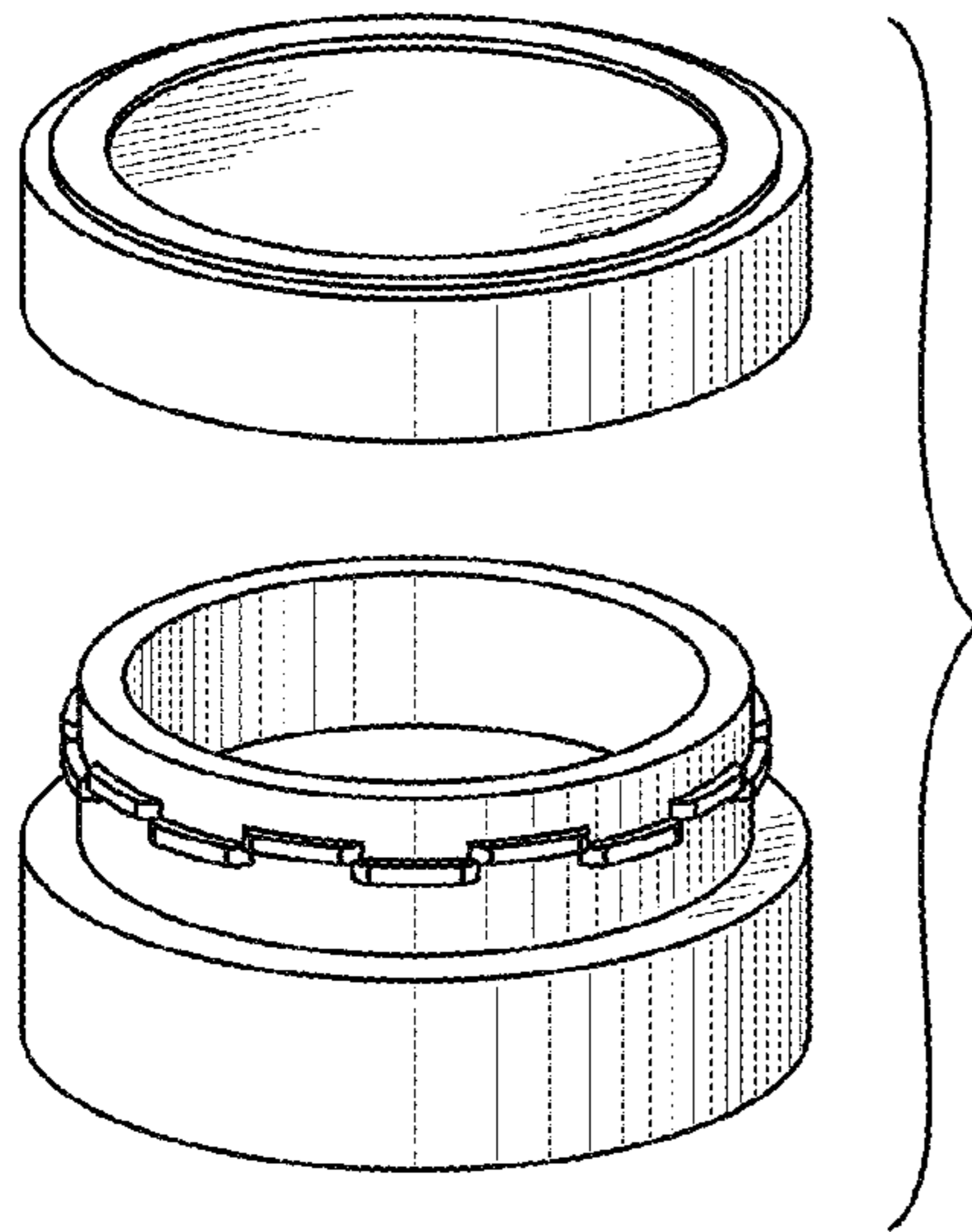


FIG. 15

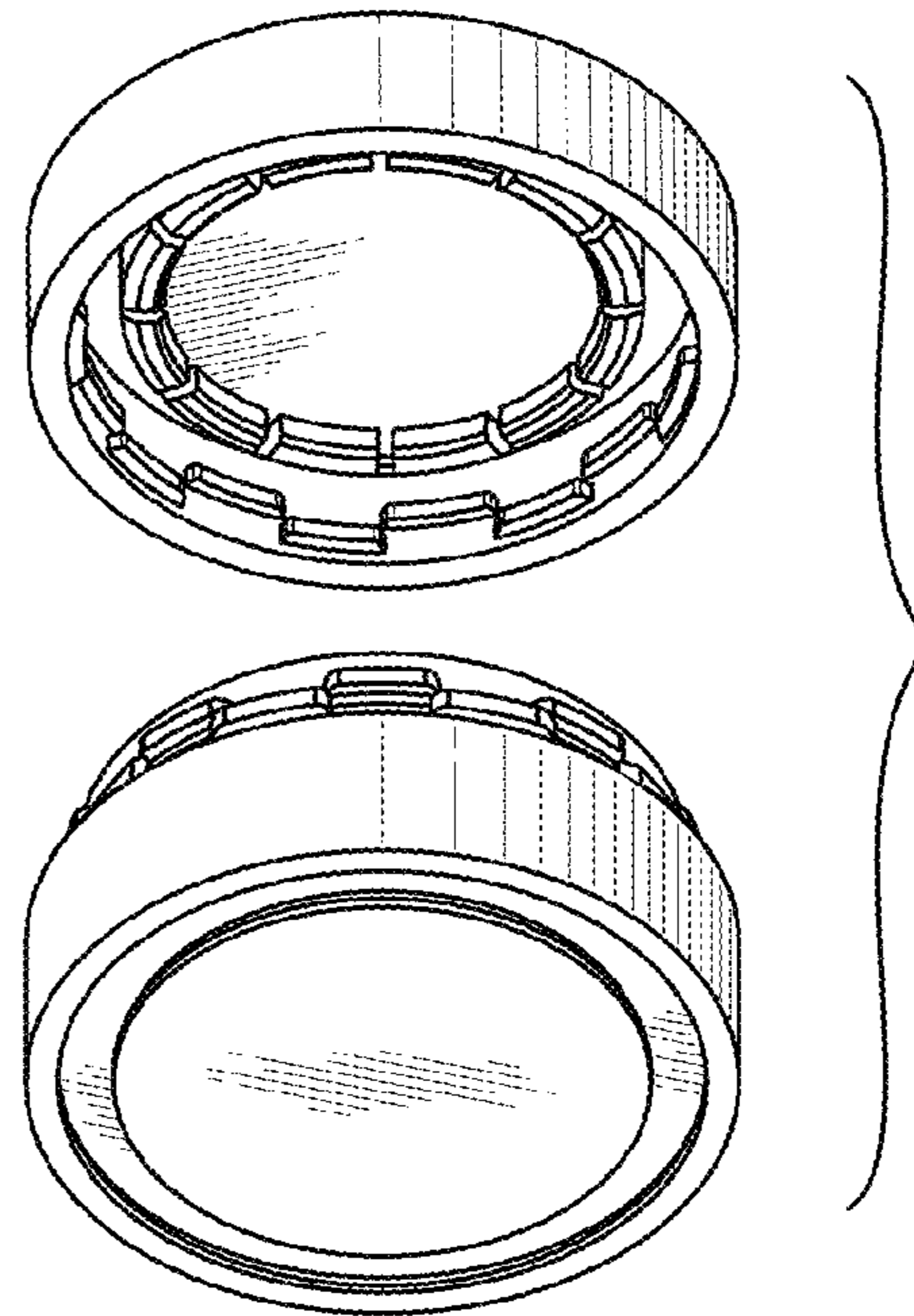


FIG. 16

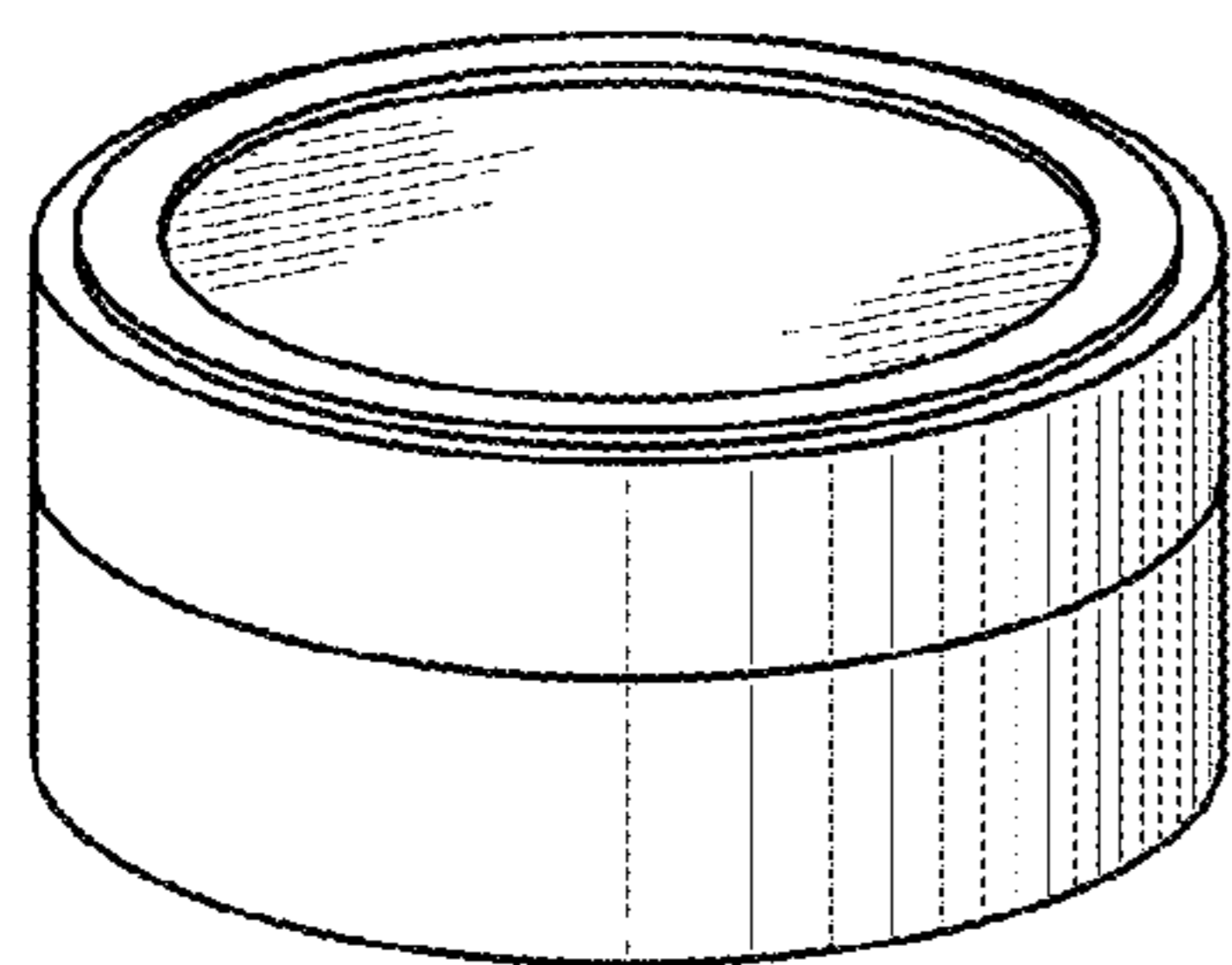


FIG. 17

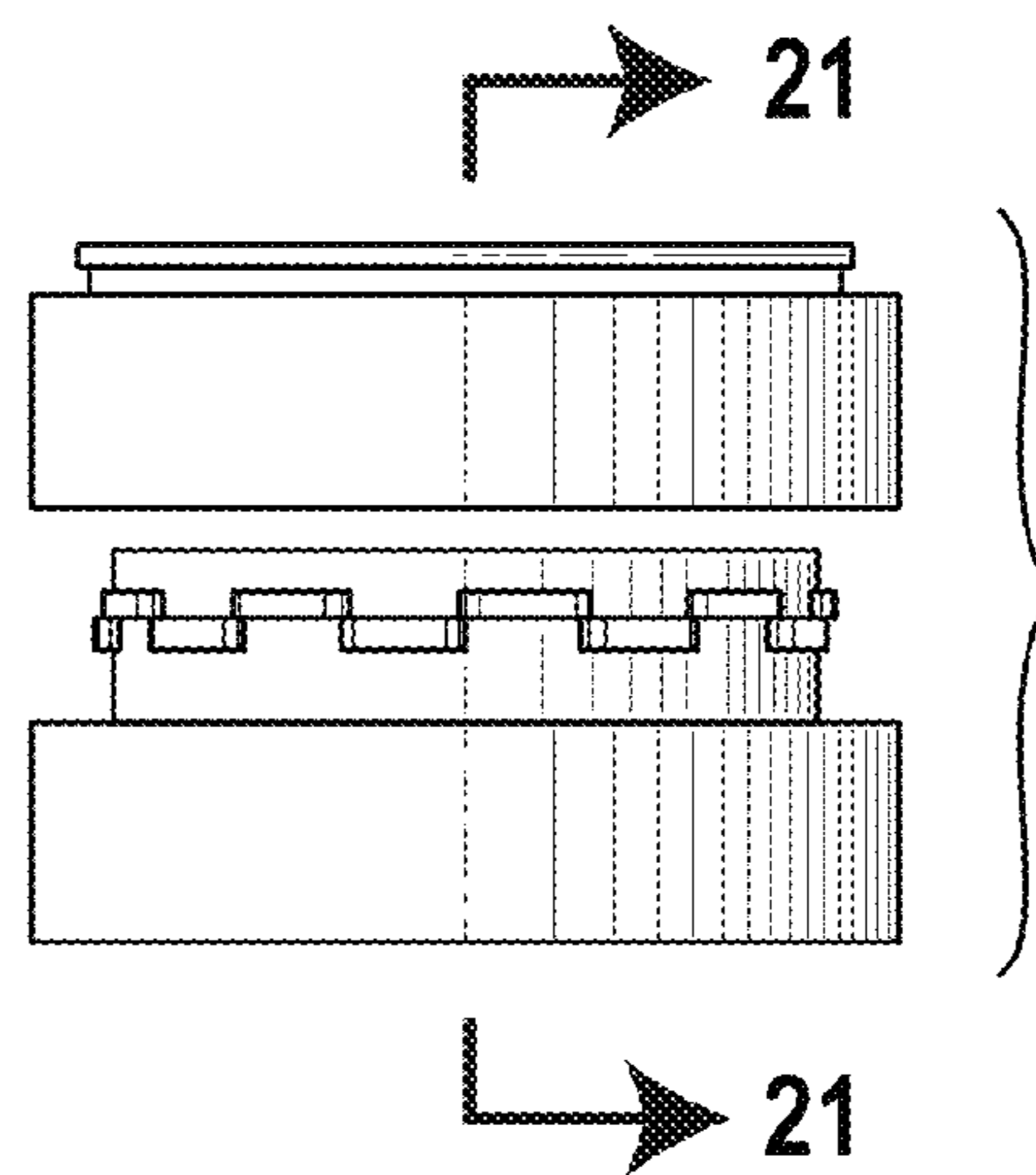


FIG. 18

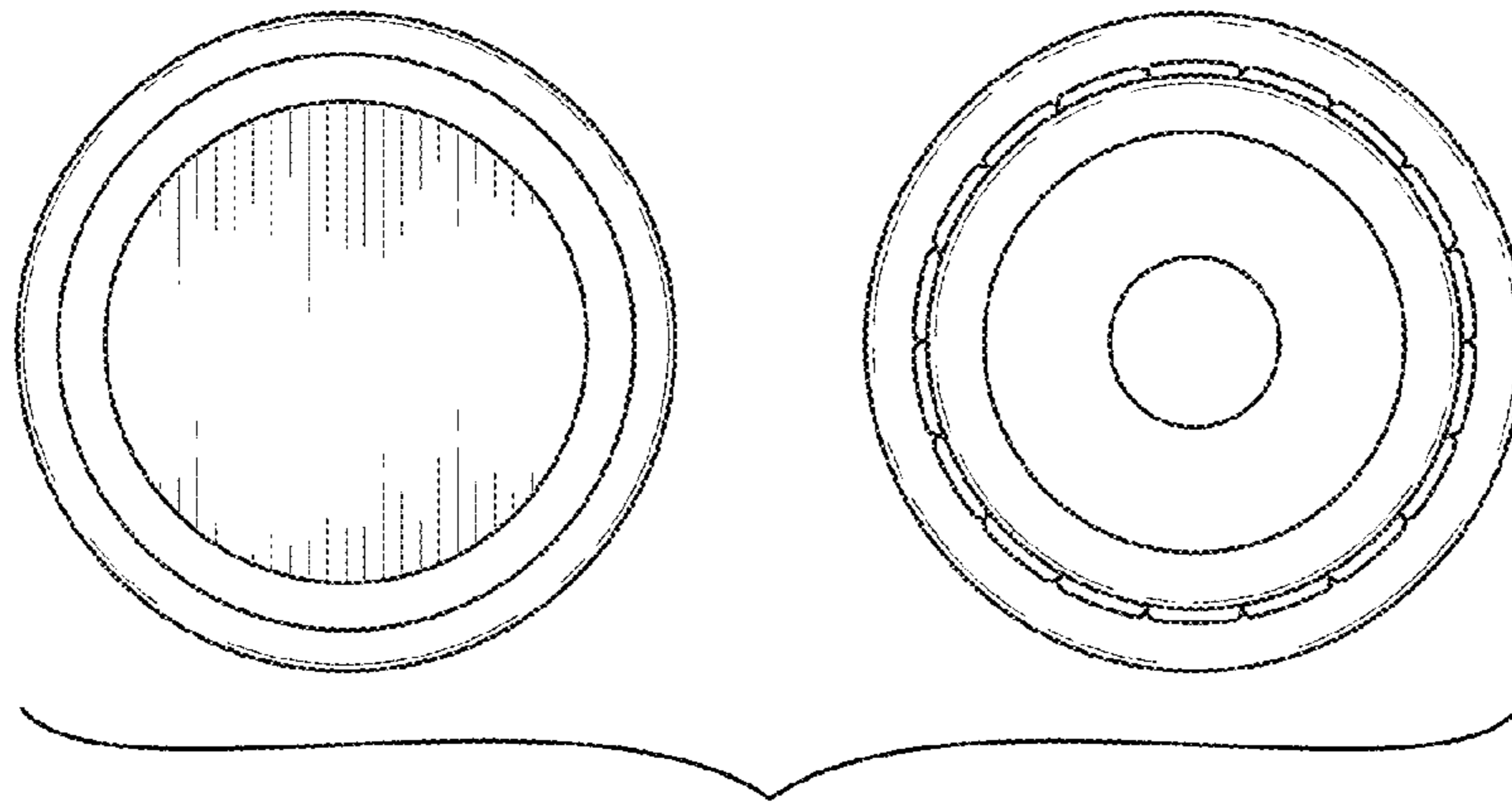


FIG. 19

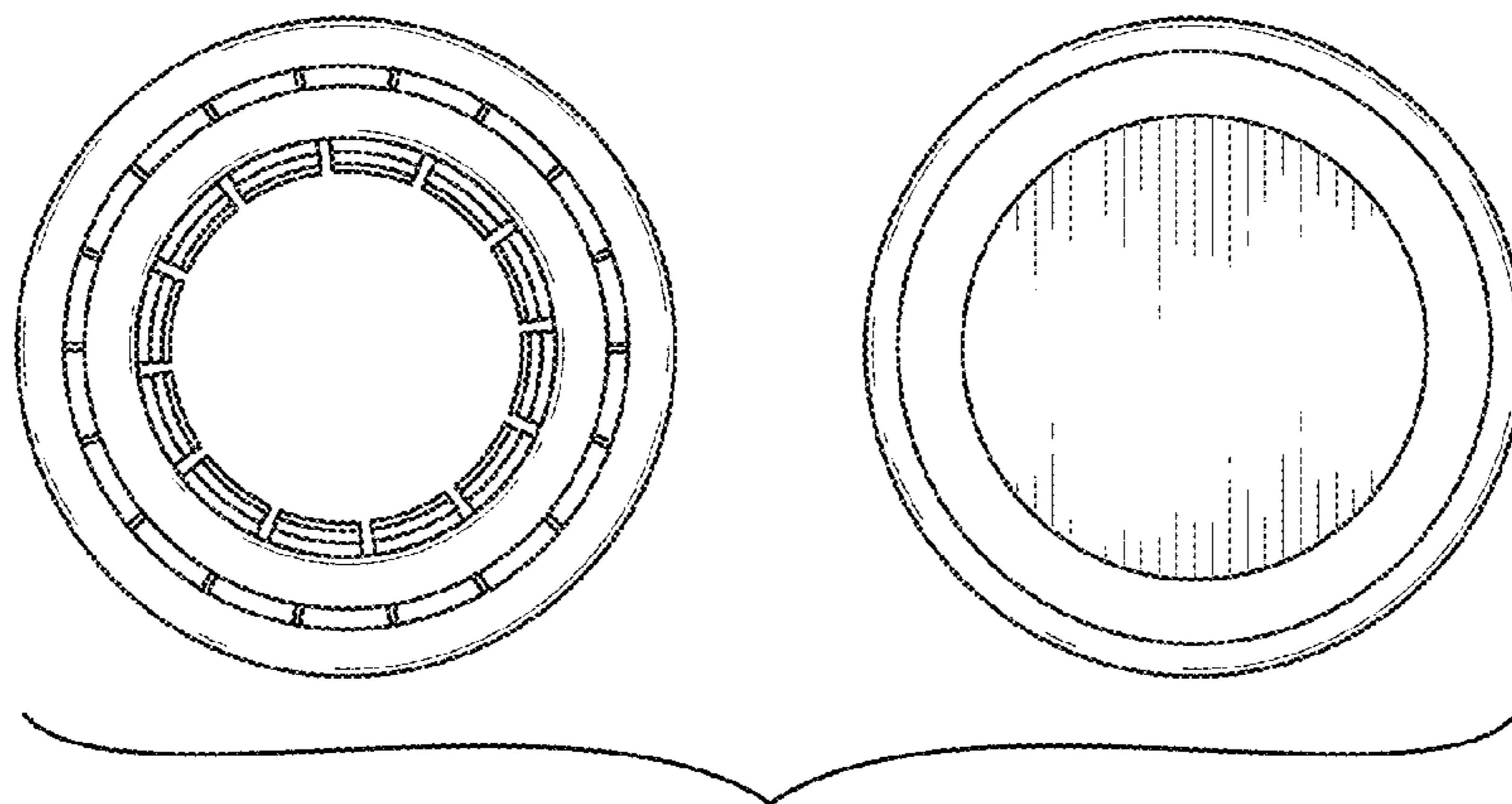


FIG. 20

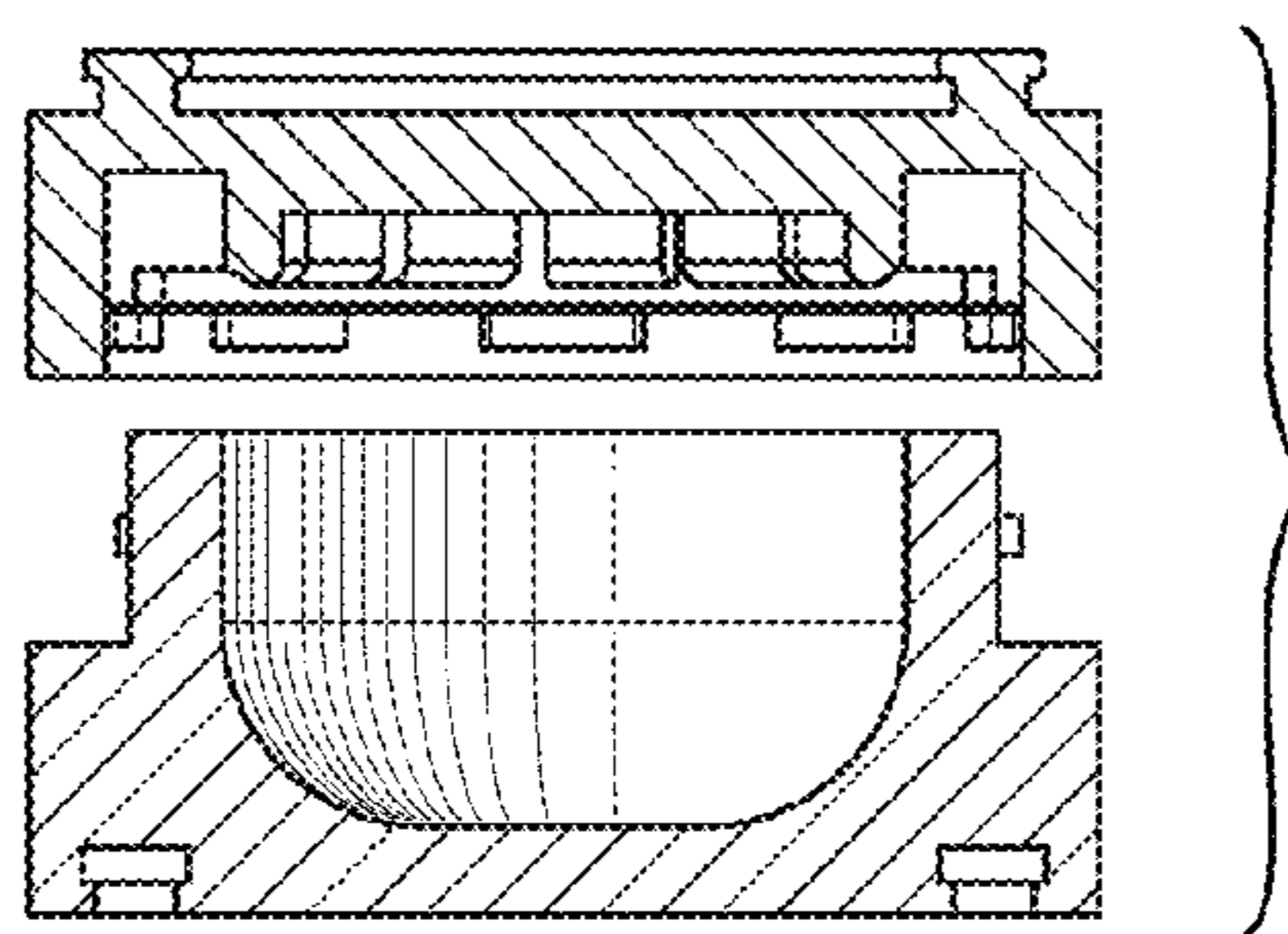


FIG. 21