



US00D740026S

(12) **United States Design Patent**
Yamamoto

(10) **Patent No.:** **US D740,026 S**
(45) **Date of Patent:** **** Oct. 6, 2015**

- (54) **STORAGE CASE**
- (71) Applicant: **SHINWA CO., LTD.**, Niigata (JP)
- (72) Inventor: **Kazunobu Yamamoto**, Niigata (JP)
- (73) Assignee: **SHINWA CO., LTD.**, Niigata (JP)
- (**) Term: **14 Years**
- (21) Appl. No.: **29/481,473**
- (22) Filed: **Feb. 6, 2014**
- (51) **LOC (10) Cl.** **03-01**
- (52) **U.S. Cl.**
USPC **D3/297; D3/302**
- (58) **Field of Classification Search**
USPC D3/273, 276, 280, 282, 283, 284, 286,
D3/288, 292, 294, 295, 901, 903, 905, 302,
D3/306, 304, 272, 232, 247; 206/503, 207,
206/419, 505, 507, 511, 518, 559, 509, 506,
206/373, 501, 823; 220/23.86, 373, 553,
220/759, 506, 802, 822, 4.25; 312/283,
312/237, 108
See application file for complete search history.

5,680,957 A *	10/1997	Liu	220/663
D518,708 S *	4/2006	Ohayon	D3/298
D539,138 S *	3/2007	Mittelstaedt et al.	D3/294
D580,653 S *	11/2008	Robaina	D3/272
D590,710 S *	4/2009	Mittelstaedt	D3/297
D597,834 S *	8/2009	Mittelstaedt et al.	D3/294
D670,111 S *	11/2012	McNamara	D6/510
D701,044 S *	3/2014	Kishimoto	D3/272
D714,554 S *	10/2014	Brunner	D3/297

* cited by examiner

Primary Examiner — Jennifer Rivard
Assistant Examiner — April Rivas
(74) *Attorney, Agent, or Firm* — Saul Ewing LLP

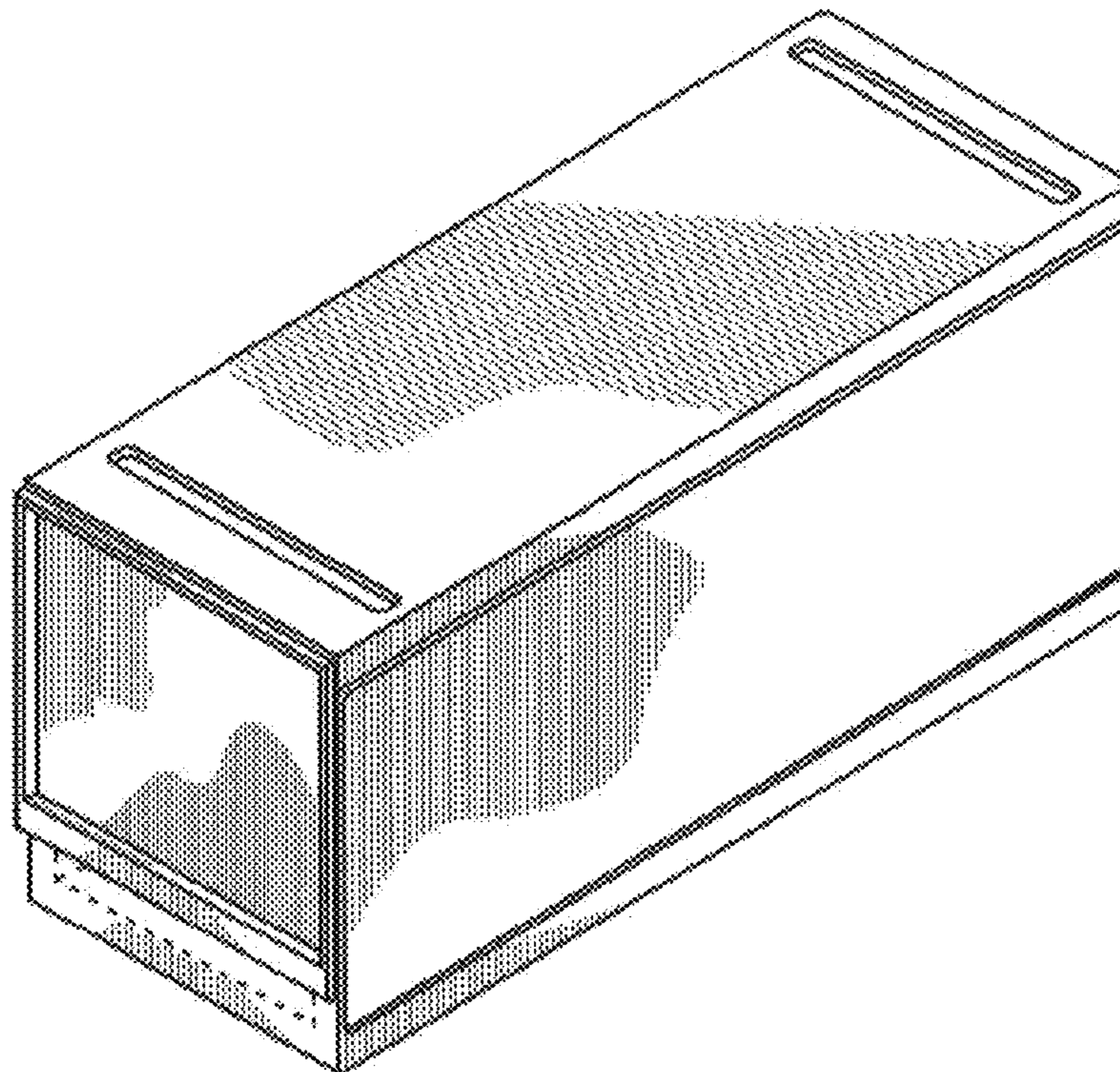
(57) **CLAIM**
The ornamental design for a storage case, as shown and described.

DESCRIPTION

FIG. 1 is a perspective view of a storage case in accordance with the new design;
FIG. 2 is a front view thereof;
FIG. 3 is a right view thereof;
FIG. 4 is a top view thereof;
FIG. 5 is a rear view thereof;
FIG. 6 is a left view thereof; and,
FIG. 7 is a bottom thereof.
The spaced lines shown in FIGS. 1-6 disclose surface shading that represents an opaque surface.
The broken lines shown in the drawings illustrate portions of the storage case and form no part of the claimed design.

1 Claim, 3 Drawing Sheets

- (56) **References Cited**
U.S. PATENT DOCUMENTS
1,480,377 A * 1/1924 Daly 229/122.23
1,672,634 A * 6/1928 Walter 229/122.26
1,994,159 A * 3/1935 Wurzburg 312/108
3,313,465 A * 4/1967 Geisler 229/122.24



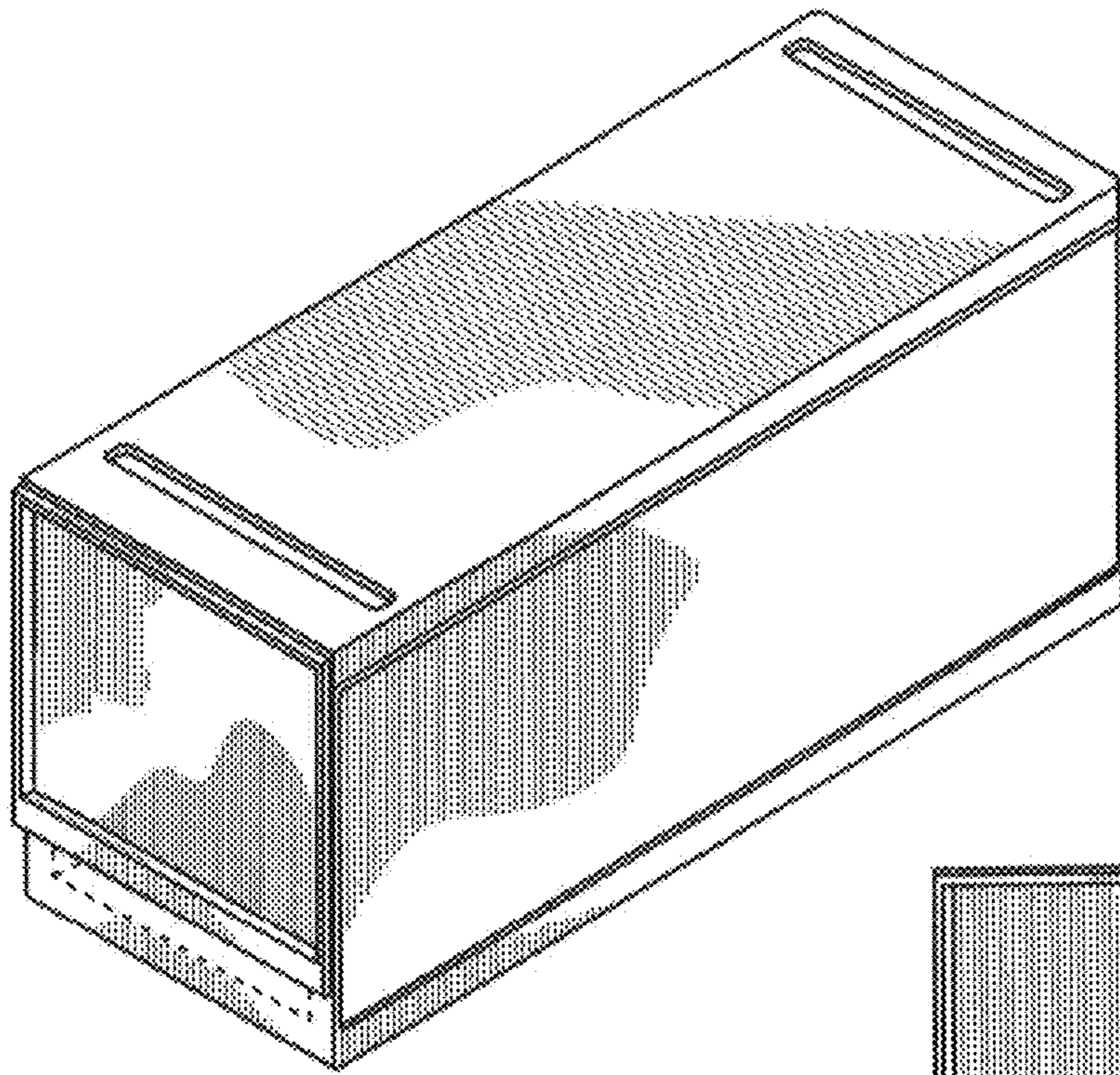


FIG. 1

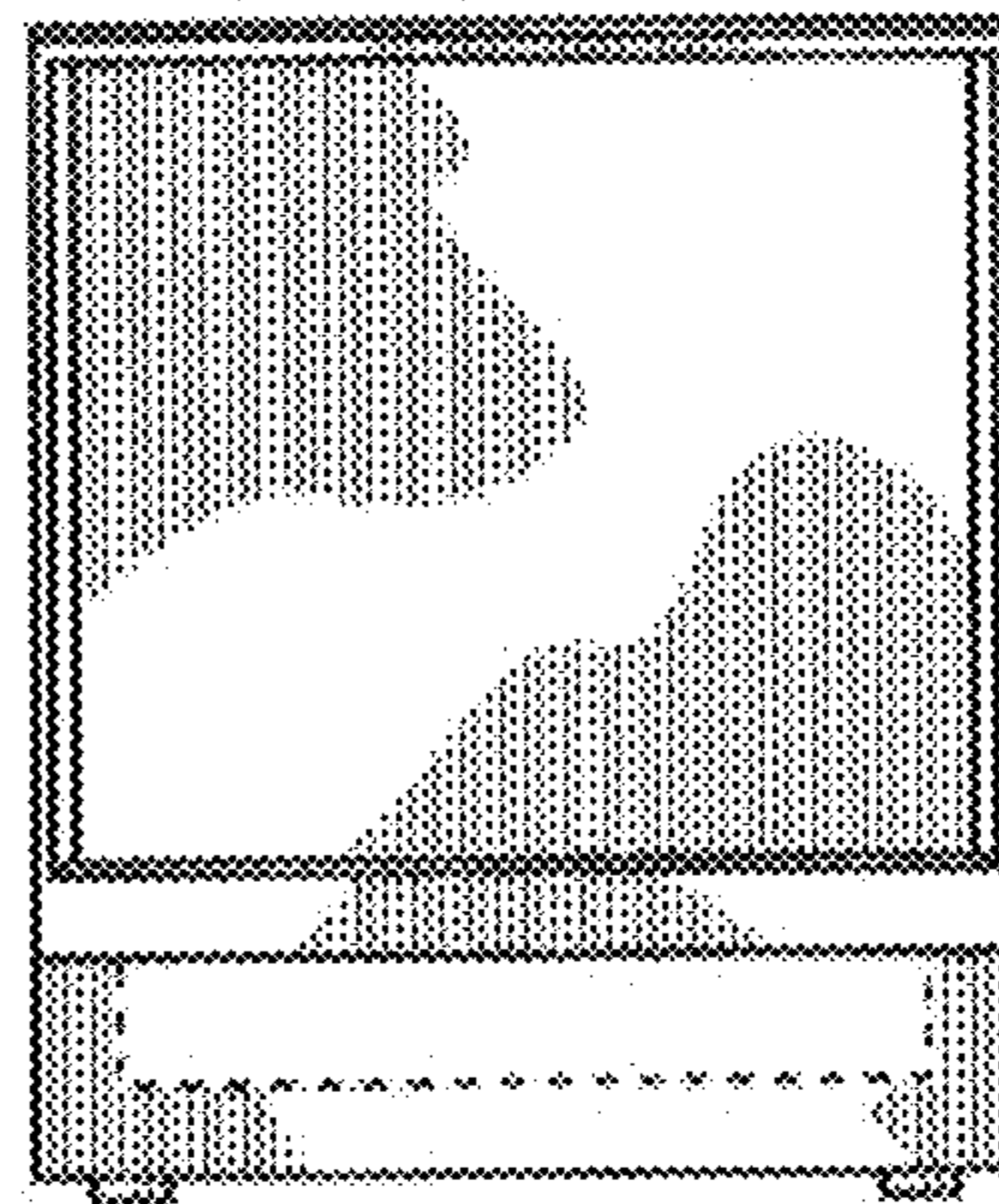


FIG. 2

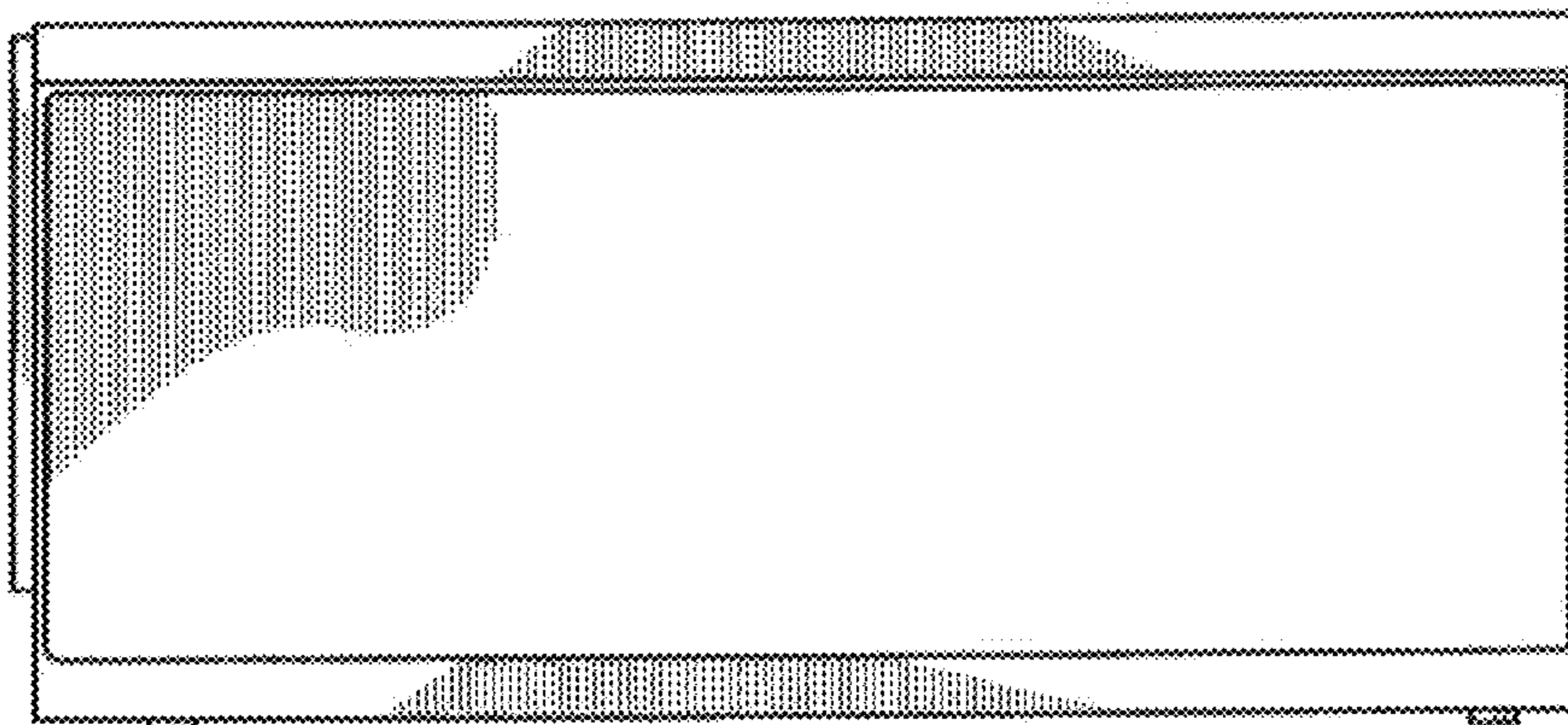


FIG. 3

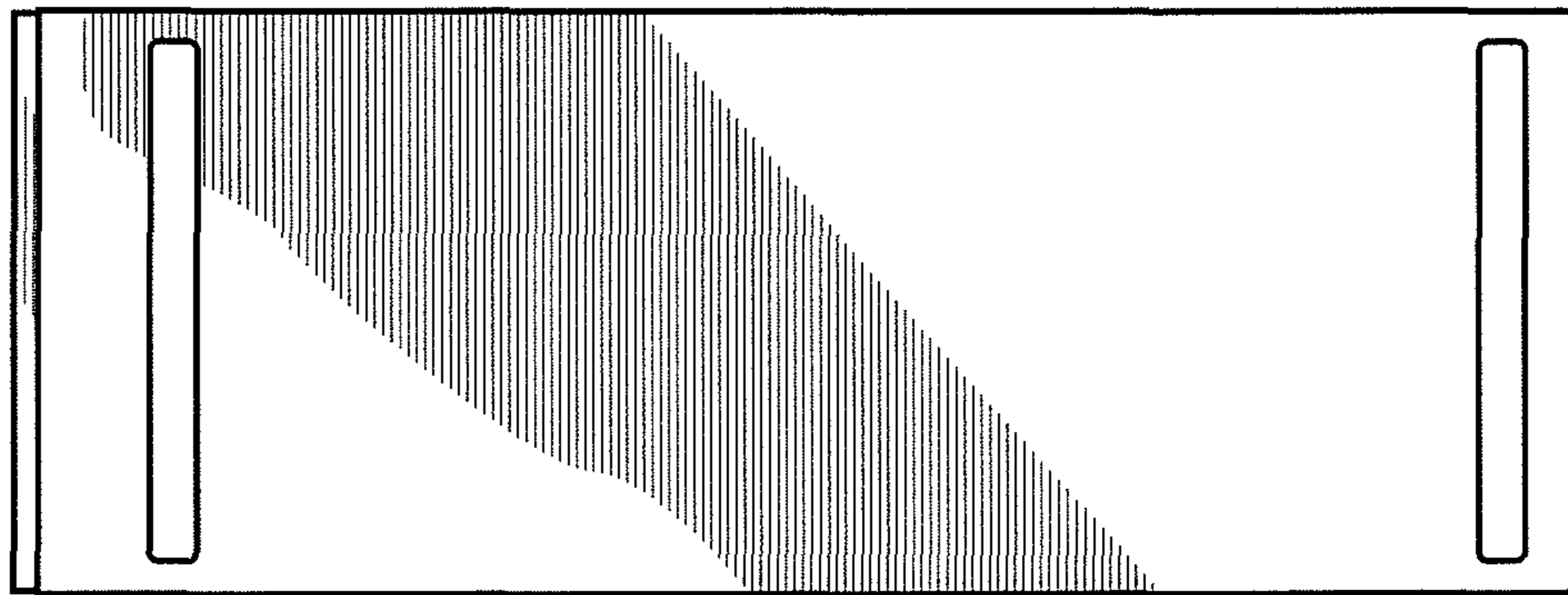


FIG. 4

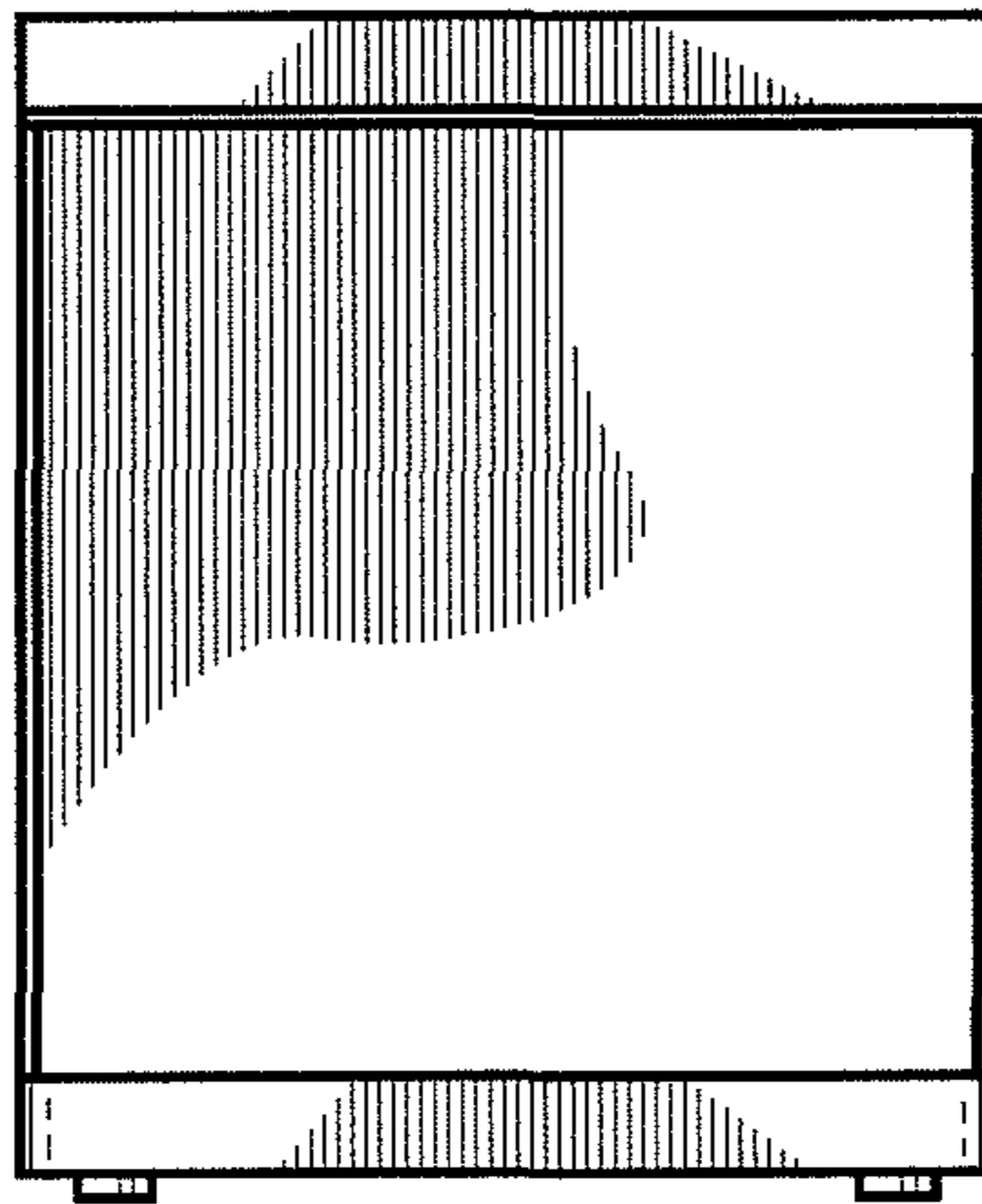


FIG. 5

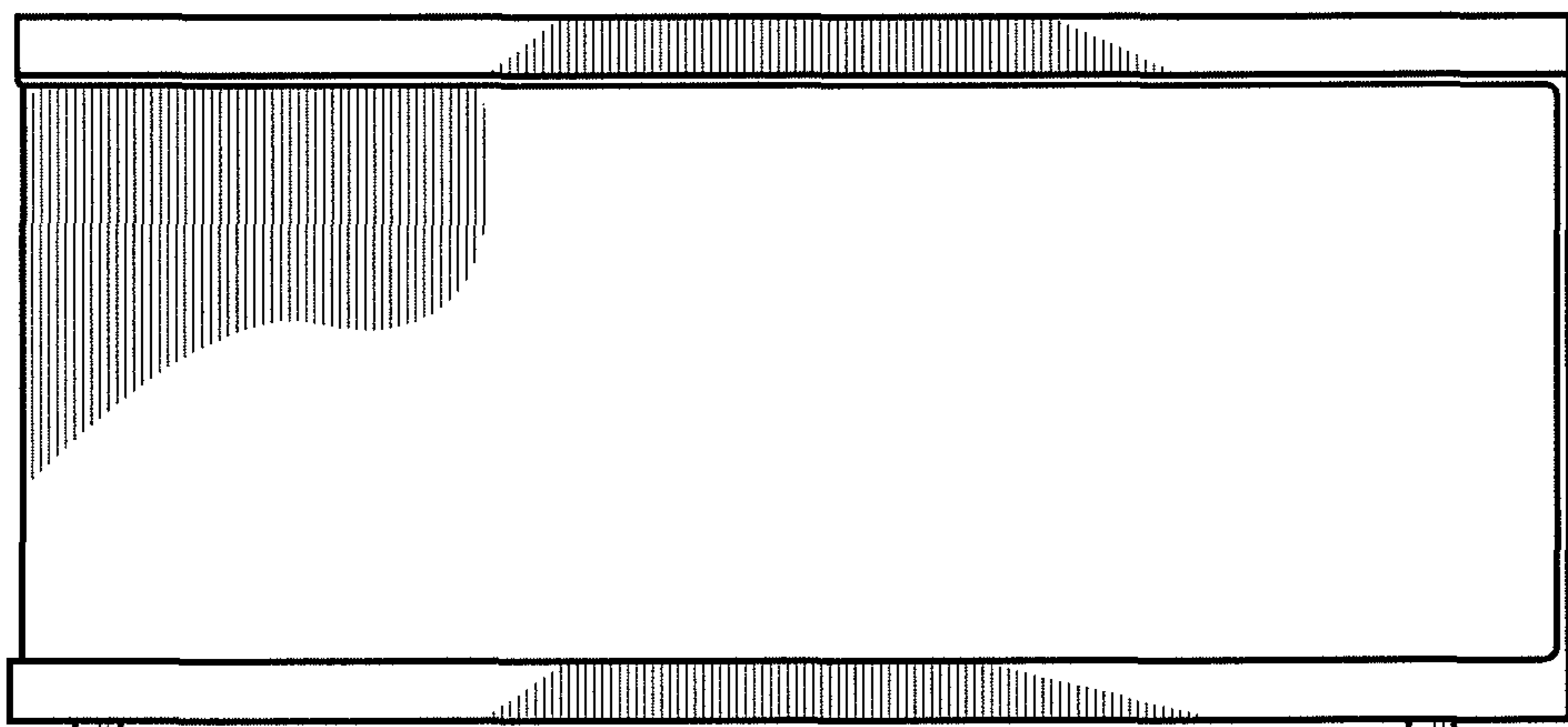


FIG. 6

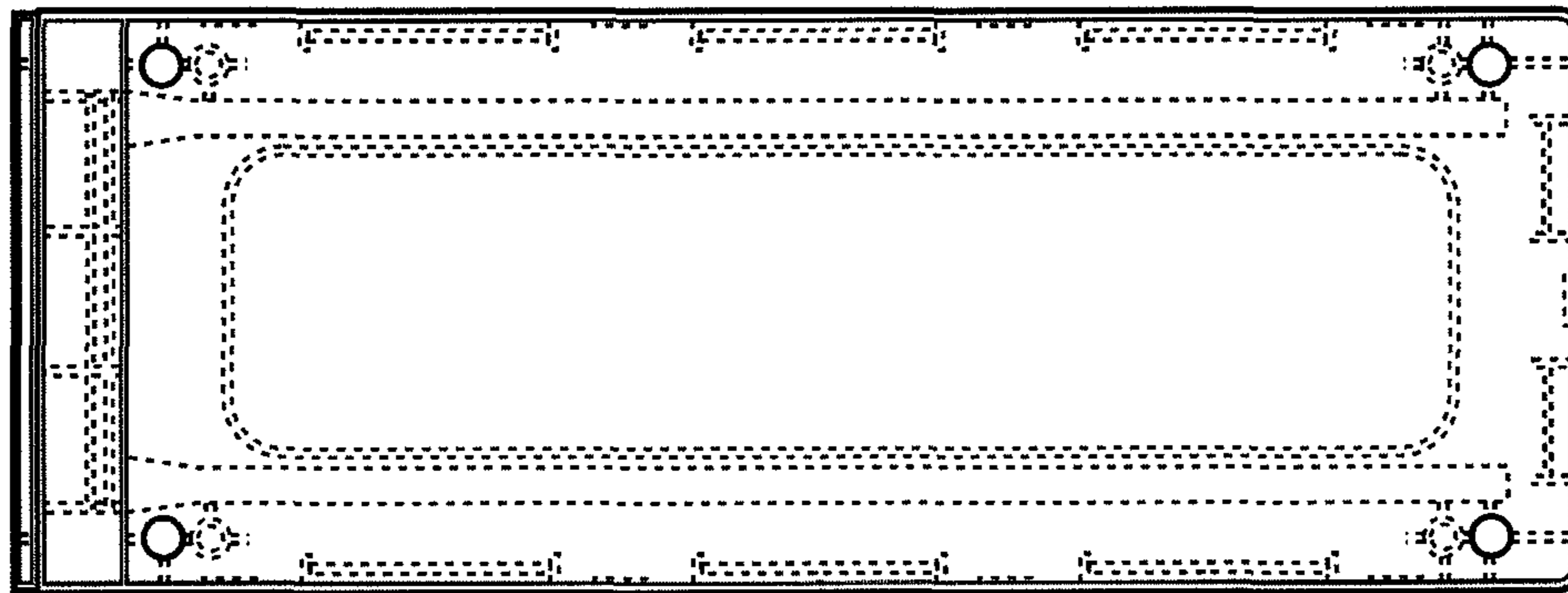


FIG. 7