



US00D740024S

(12) **United States Design Patent**  
**Walters**

(10) **Patent No.:** **US D740,024 S**  
(45) **Date of Patent:** **\*\* Oct. 6, 2015**

(54) **SCRIPTURE TOTE**

(71) Applicant: **Philip Walters**, St. George, UT (US)

(72) Inventor: **Philip Walters**, St. George, UT (US)

(\*\*) Term: **14 Years**

(21) Appl. No.: **29/481,502**

(22) Filed: **Feb. 6, 2014**

(51) **LOC (10) Cl.** ..... **03-01**

(52) **U.S. Cl.**  
USPC ..... **D3/289**; D3/201

(58) **Field of Classification Search**  
USPC ..... D3/289, 201, 206, 270, 282, 900;  
D99/25; 150/107; 190/115, 900, 903;  
206/232, 424, 524; 294/138, 152  
See application file for complete search history.

(56) **References Cited**

**U.S. PATENT DOCUMENTS**

D97,359 S \* 10/1935 Shields ..... D3/270  
2,523,129 A \* 9/1950 Maier ..... 294/138  
D383,303 S \* 9/1997 Murphy ..... D3/206

D464,197 S \* 10/2002 Kegels ..... D3/289  
D653,448 S \* 2/2012 Lopez ..... D3/270  
D672,959 S \* 12/2012 Denzinger ..... D3/289

\* cited by examiner

*Primary Examiner* — Catheri Oliver-Garcia

(74) *Attorney, Agent, or Firm* — Jones Waldo Holbrook & McDonough, PC; Brent T. Winder

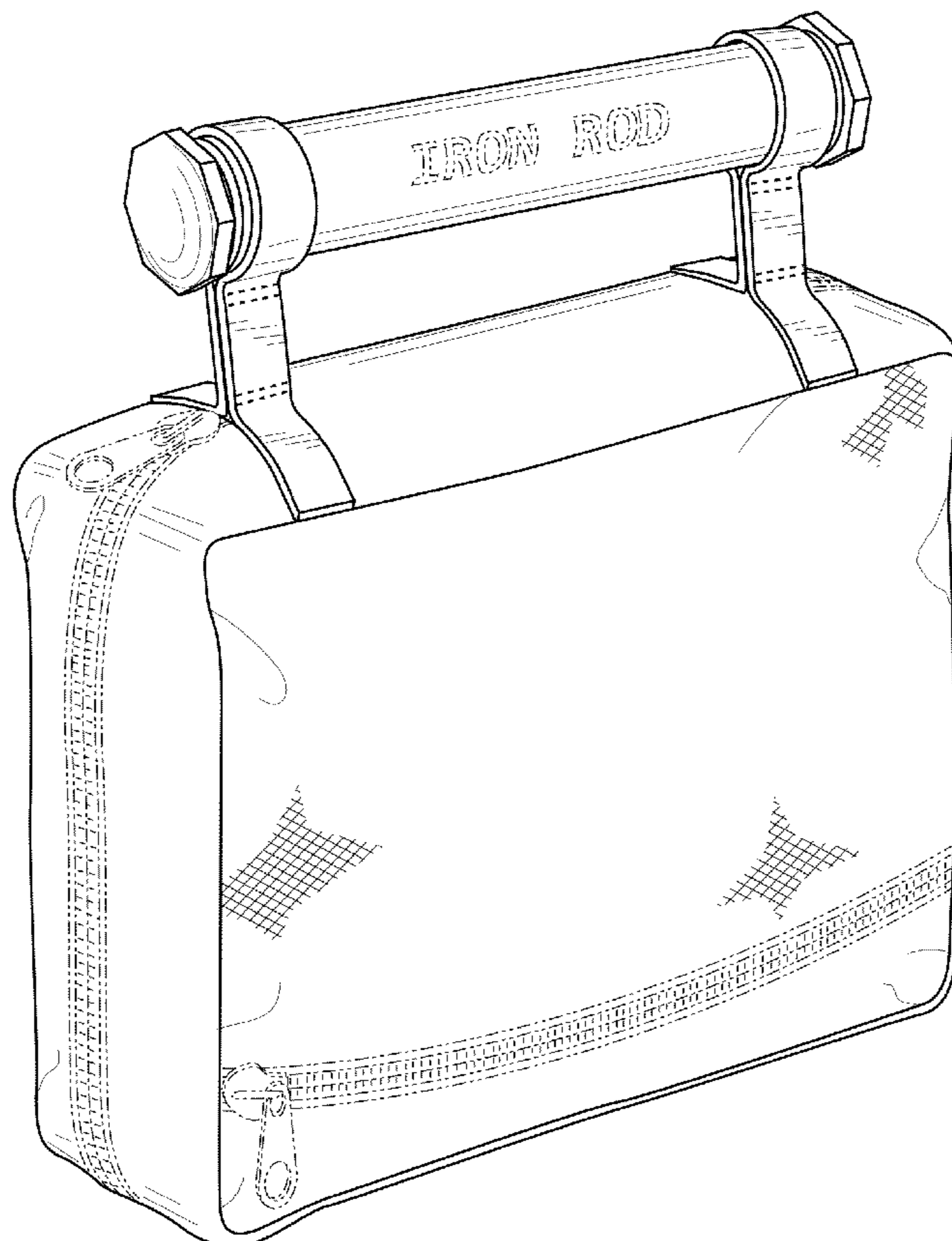
(57) **CLAIM**

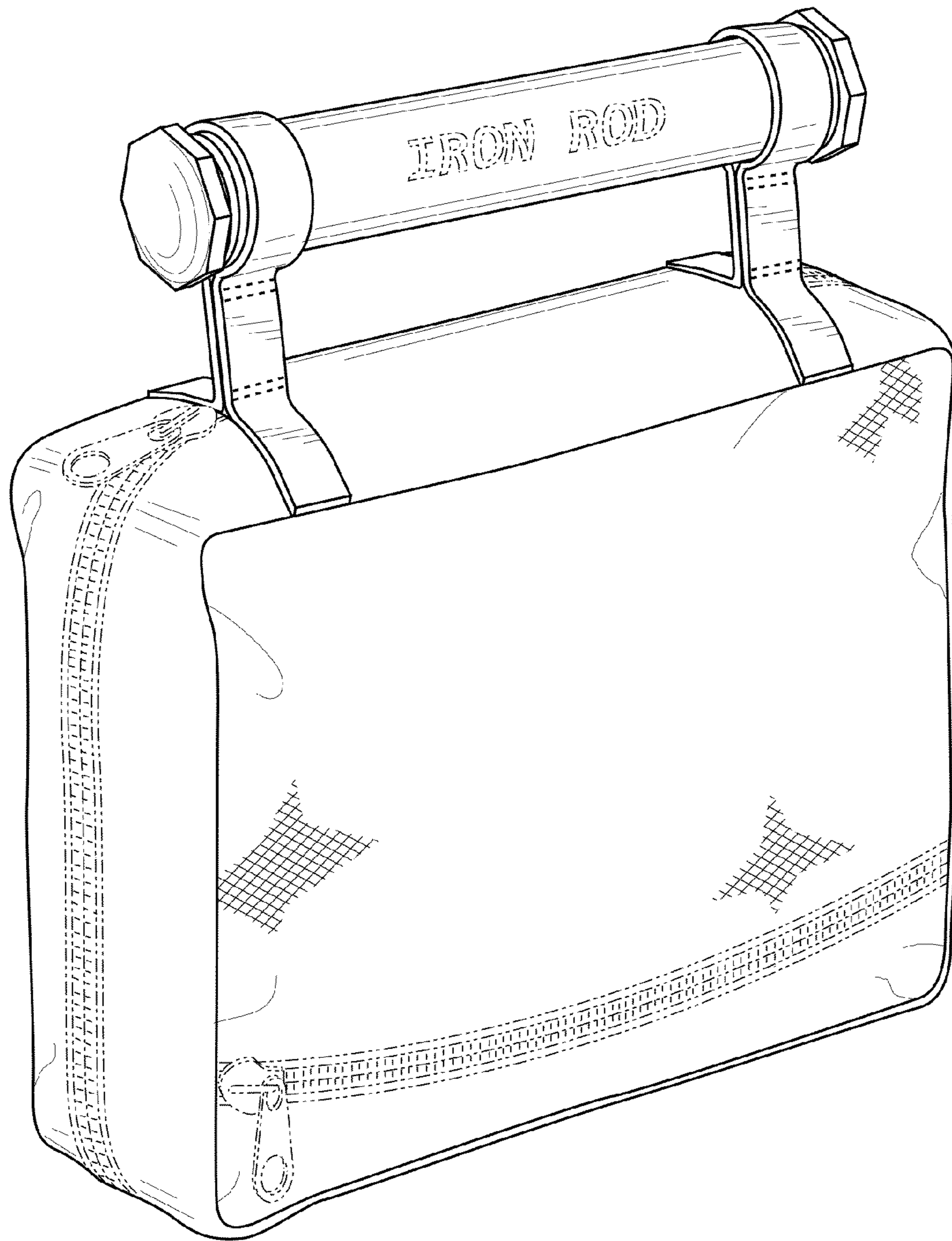
The ornamental design for a scripture tote, as shown and described.

**DESCRIPTION**

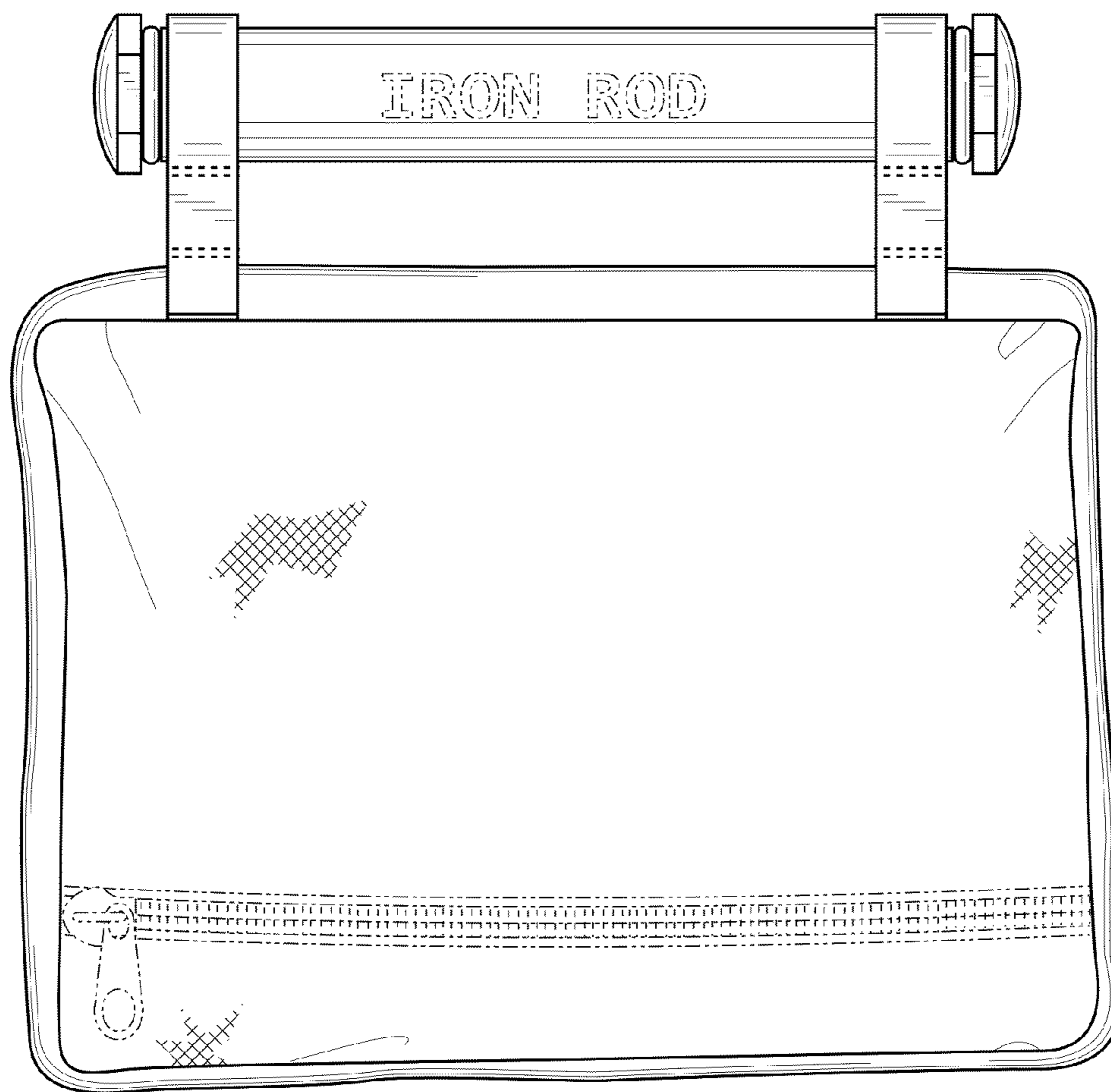
FIG. 1 is a front perspective view of the scripture tote showing the new design;  
FIG. 2 is a front elevation view thereof;  
FIG. 3 is a rear elevation view thereof;  
FIG. 4 is a side elevation view thereof;  
FIG. 5 is an opposite side elevation view thereof;  
FIG. 6 is a top plan view thereof; and,  
FIG. 7 is a bottom plan view thereof.  
The broken line showing of environment in the drawings is included for the purpose of illustrating only and forms no part of the claimed design.

**1 Claim, 5 Drawing Sheets**

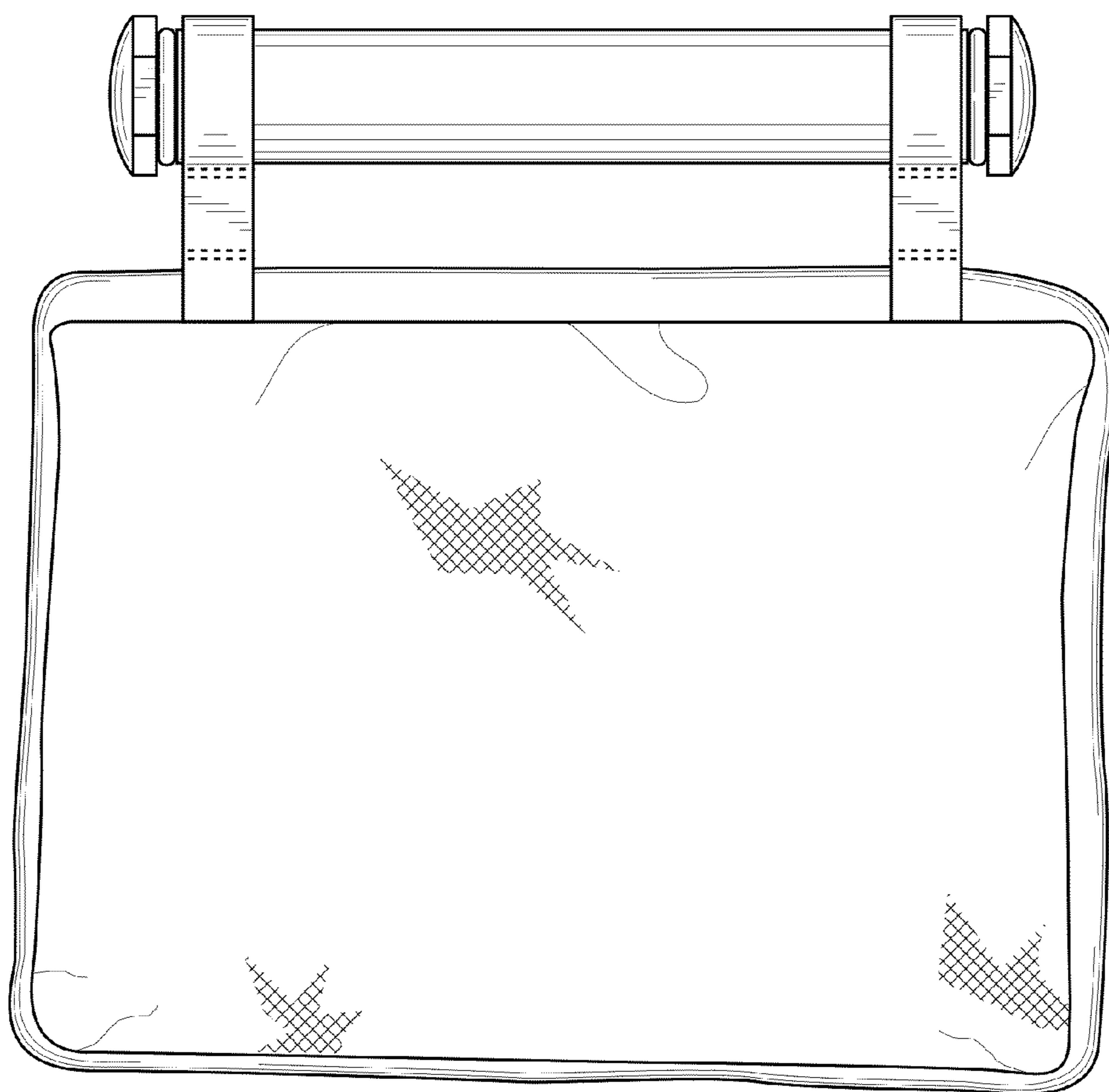




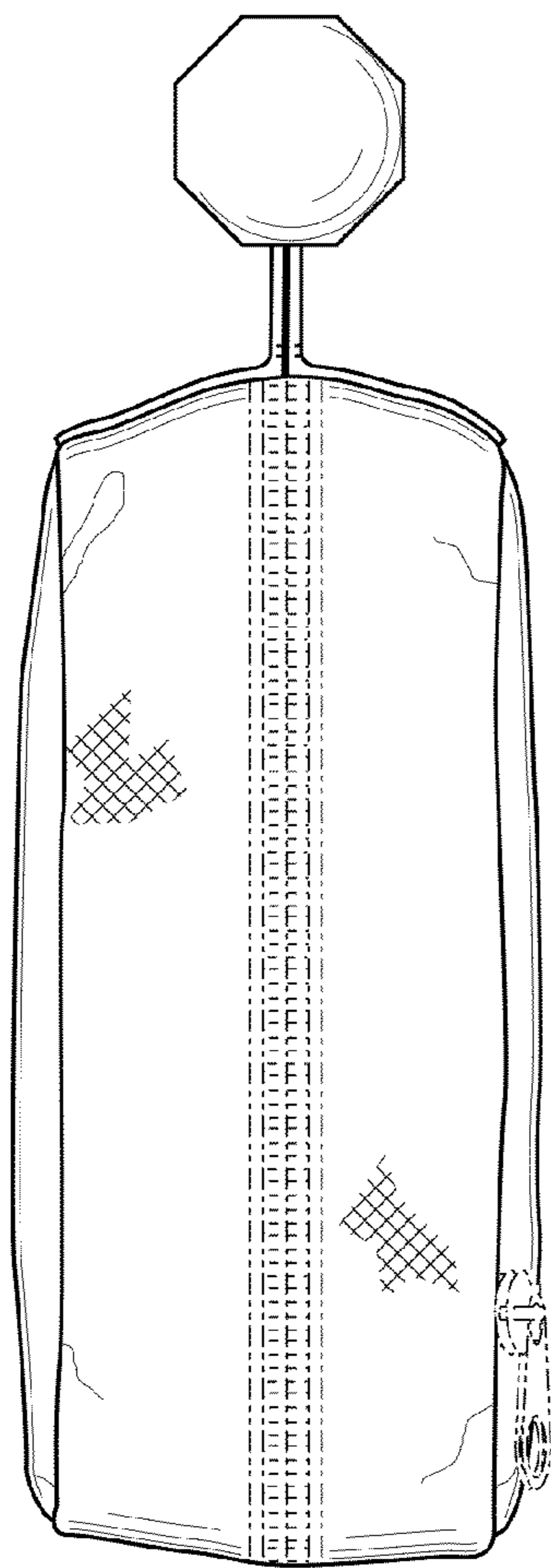
**FIG. 1**



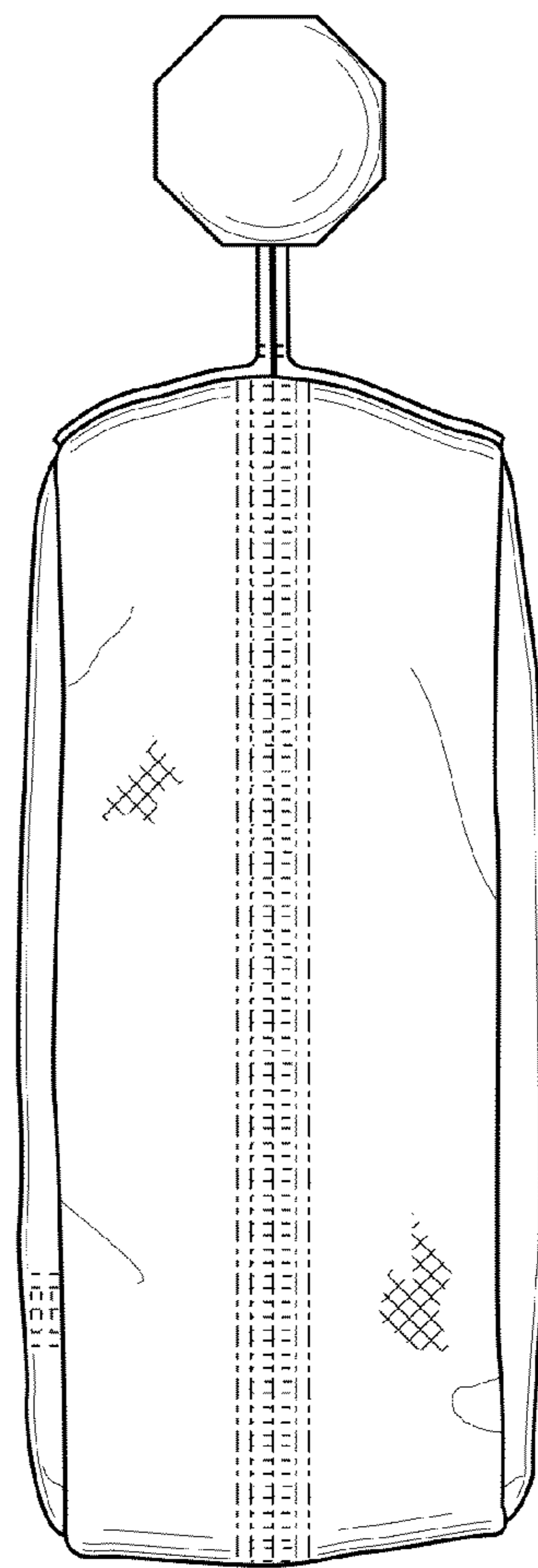
**FIG. 2**



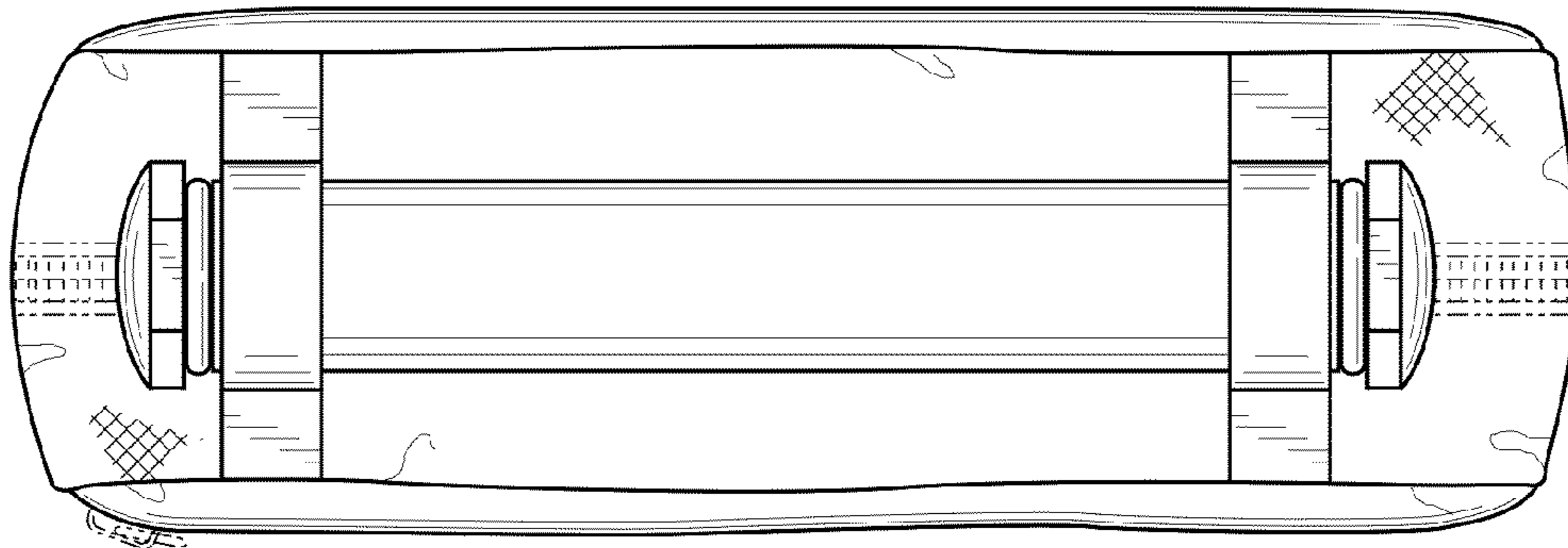
**FIG. 3**



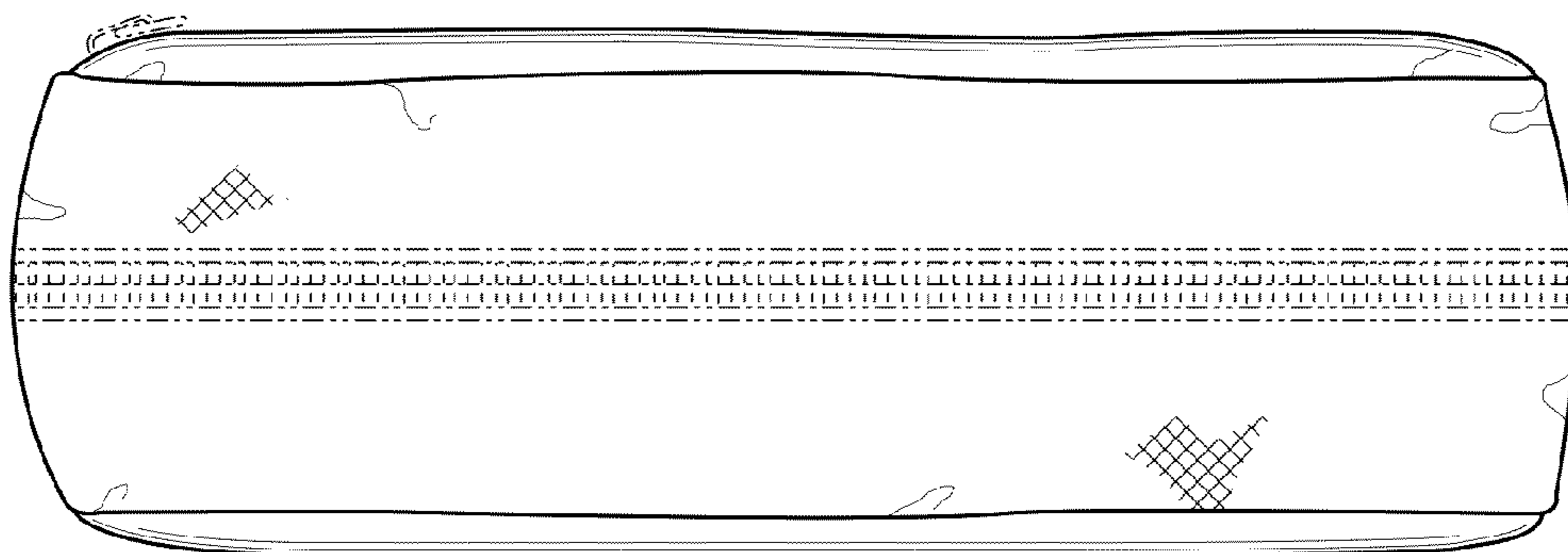
**FIG. 4**



**FIG. 5**



**FIG. 6**



**FIG. 7**