



US00D740021S

(12) **United States Design Patent**
Faifer

(10) **Patent No.:** **US D740,021 S**
(45) **Date of Patent:** **** Oct. 6, 2015**

(54) **HOLSTER FOR A GUN**
(71) Applicant: **Sagi Faifer**, Mishmar Hashiva (IL)
(72) Inventor: **Sagi Faifer**, Mishmar Hashiva (IL)
(**) Term: **14 Years**
(21) Appl. No.: **29/483,810**
(22) Filed: **Mar. 3, 2014**
(51) **LOC (10) Cl.** **03-01**
(52) **U.S. Cl.**
USPC **D3/222**
(58) **Field of Classification Search**
USPC D3/222-223, 269; 224/163, 192-193,
224/197-198, 243-244, 349, 587, 665, 682,
224/901.4, 911-912; 89/34; 42/106
See application file for complete search history.

(56) **References Cited**
U.S. PATENT DOCUMENTS
814,599 A 3/1906 Freyer
837,156 A 11/1906 Townsend
(Continued)
OTHER PUBLICATIONS

“Holster, Safety Holster, Glock—SHOMER-TEC”, <http://www.shomer-tec.com/product/duty-holsters-by-slve-1486.cfm>, May 3, 2011, pp. 2.
(Continued)

Primary Examiner — Catheri Oliver-Garcia
(74) *Attorney, Agent, or Firm* — Law Office of Arthur M. Antonelli, PLLC

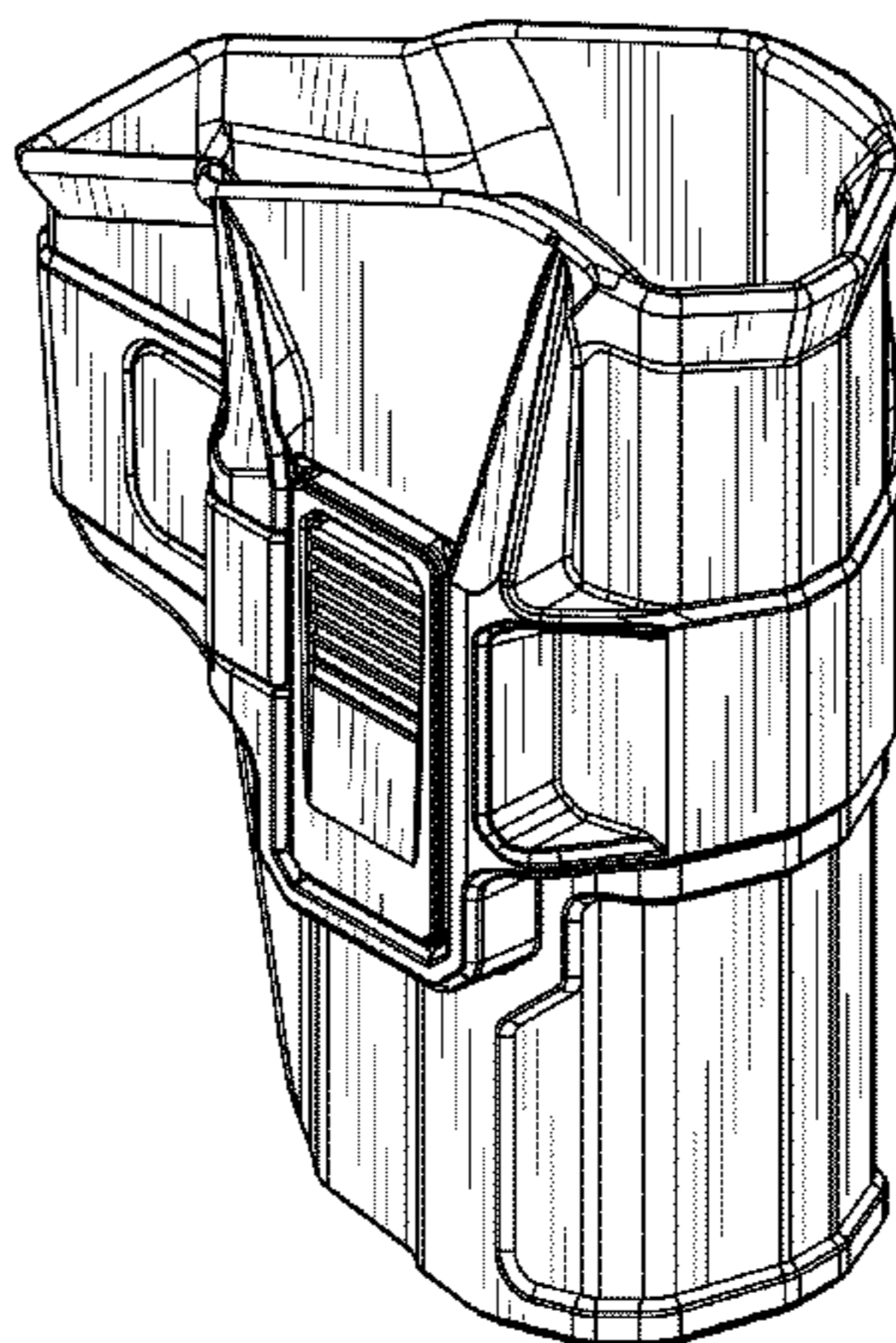
(57) **CLAIM**
The ornamental design for a holster for a gun, as shown and described.

DESCRIPTION

FIG. 1 is a rear, left, top perspective view of a first embodiment of a holster for a gun in accordance with my new design; FIG. 2 is a front, left, top perspective view of the holster for a gun of FIG. 1; FIG. 3 is a front view of the holster for a gun of FIG. 1; FIG. 4 is a left side view of the holster for a gun of FIG. 1; FIG. 5 is a rear view of the holster for a gun of FIG. 1; FIG. 6 is a right side view of the holster for a gun of FIG. 1;

FIG. 7 is a top view of the holster for a gun of FIG. 1; FIG. 8 is a bottom view of the holster for a gun of FIG. 1; and FIG. 9 is a rear, right, bottom perspective view of the holster for a gun of FIG. 1.
FIG. 10 is a rear, right top perspective view of a second embodiment of a holster for a gun in accordance with my new design;
FIG. 11 is a front, right, top perspective view of the holster for a gun of FIG. 10;
FIG. 12 is a front view of the holster for a gun of FIG. 10;
FIG. 13 is a right side view of the holster for a gun of FIG. 10;
FIG. 14 is a rear view of the holster for a gun of FIG. 10;
FIG. 15 is a right side view of the holster for a gun of FIG. 10;
FIG. 16 is a top view of the holster for a gun of FIG. 10;
FIG. 17 is a bottom view of the holster for a gun of FIG. 10;
FIG. 18 is a rear, left, bottom perspective view of the holster for a gun of FIG. 10;
FIG. 19 is a rear, left, top perspective view of a third embodiment of a holster for a gun in accordance with my new design;
FIG. 20 is a front, left, top perspective view of the holster for a gun of FIG. 19;
FIG. 21 is a front view of the holster for a gun of FIG. 19;
FIG. 22 is a left side view of the holster for a gun of FIG. 19;
FIG. 23 is a rear view of the holster for a gun of FIG. 19;
FIG. 24 is a right side view of the holster for a gun of FIG. 19;
FIG. 25 is a top view of the holster for a gun of FIG. 19;
FIG. 26 is a bottom view of the holster for a gun of FIG. 19;
and
FIG. 27 is a rear, right, bottom perspective view of the holster for a gun of FIG. 19;
FIG. 28 is a rear, right top perspective view of a fourth embodiment of a holster for a gun in accordance with my new design;
FIG. 29 is a front, right, top perspective view of the holster for a gun of FIG. 28;
FIG. 30 is a front view of the holster for a gun of FIG. 28;
FIG. 31 is a right side view of the holster for a gun of FIG. 28;
FIG. 32 is a rear view of the holster for a gun of FIG. 28;
FIG. 33 is a right side view of the holster for a gun of FIG. 28;
FIG. 34 is a top view of the holster for a gun of FIG. 28;
FIG. 35 is a bottom view of the holster for a gun of FIG. 28;
and,
FIG. 36 is a rear, left, bottom perspective view of the holster for a gun of FIG. 28.
All portions shown in broken lines are environmental and illustrative only and form no part of the claimed design.

1 Claim, 20 Drawing Sheets



(56)

References Cited

U.S. PATENT DOCUMENTS

1,295,831 A 3/1919 Alderson
 2,347,006 A 4/1944 Tibbetts
 2,408,678 A 10/1946 Paley
 2,443,397 A 6/1948 Myers
 2,455,635 A 12/1948 Witte
 2,765,968 A 10/1956 Gaylord
 3,008,617 A 11/1961 Villwock
 3,128,926 A 4/1964 Stella
 3,707,250 A 12/1972 Esposito
 3,731,858 A 5/1973 Baker
 3,777,952 A 12/1973 Theodore
 3,952,930 A 4/1976 Baldocchi
 3,977,583 A 8/1976 Bianchi et al.
 4,035,902 A 7/1977 Bianchi et al.
 4,044,929 A 8/1977 Caruso
 4,062,481 A 12/1977 Clark
 4,065,039 A 12/1977 Bianchi et al.
 4,084,734 A 4/1978 Bianchi et al.
 4,101,060 A 7/1978 Bianchi et al.
 4,143,798 A 3/1979 Perkins
 4,205,768 A 6/1980 Hill et al.
 4,218,000 A 8/1980 Mixson
 4,258,871 A 3/1981 McMahon
 4,270,680 A 6/1981 Bianchi
 4,277,007 A 7/1981 Bianchi et al.
 4,286,741 A 9/1981 Rodgers
 4,494,328 A 1/1985 Stevens
 4,542,841 A 9/1985 Bianchi et al.
 4,577,787 A 3/1986 Hersey
 4,662,552 A 5/1987 Uyehara
 4,713,889 A 12/1987 Santiago
 4,741,465 A 5/1988 Johnson
 4,886,197 A 12/1989 Bowles et al.
 4,925,075 A 5/1990 Rodgers
 4,953,769 A 9/1990 Parsons et al.
 D311,277 S 10/1990 Cupp
 4,966,321 A 10/1990 Outlaw
 5,018,653 A 5/1991 Shoemaker
 5,048,682 A 9/1991 Taylor
 5,054,670 A 10/1991 Gallagher
 5,100,036 A 3/1992 Rodgers et al.
 D327,367 S 6/1992 Carrow et al.
 D331,497 S 12/1992 Dixon
 5,174,482 A 12/1992 Rodgers et al.
 5,209,383 A 5/1993 Theodore
 5,251,798 A 10/1993 Theodore
 5,251,799 A 10/1993 Theodore
 5,265,781 A 11/1993 Nichols
 5,275,317 A 1/1994 Rodgers et al.
 5,282,559 A 2/1994 Wisser et al.
 5,419,472 A 5/1995 Hellweg et al.
 5,421,497 A 6/1995 Gilmore
 5,484,093 A 1/1996 Hellweg et al.
 5,544,794 A 8/1996 Nichols
 D373,242 S 9/1996 Beletsky
 5,551,610 A 9/1996 Clifton, Jr.
 5,570,830 A 11/1996 Nichols
 5,632,426 A 5/1997 Beletsky et al.
 D392,458 S 3/1998 Batts
 5,865,357 A 2/1999 Goodwin

5,875,944 A 3/1999 Beletsky
 5,918,784 A 7/1999 Serpa
 5,996,865 A 12/1999 Bissey
 6,154,997 A 12/2000 Aluotto et al.
 6,202,908 B1 3/2001 Groover
 6,398,089 B1 6/2002 Har-Shen
 6,438,888 B1 8/2002 Lin
 6,588,635 B2 7/2003 Vor Keller et al.
 6,763,984 B2 7/2004 Gallagher
 6,769,581 B2 8/2004 Rodgers et al.
 D501,991 S 2/2005 Cook et al.
 D507,104 S 7/2005 Gregory et al.
 D508,318 S 8/2005 Gregory et al.
 6,948,644 B1 9/2005 Beletsky
 D512,561 S 12/2005 Cook et al.
 7,028,426 B1 4/2006 Viani
 7,032,342 B2 4/2006 Pikielny
 7,117,625 B2 10/2006 Pikielny
 7,131,228 B2 11/2006 Hochstrate
 D537,624 S 3/2007 Har
 7,191,556 B2 3/2007 Pikielny
 D543,354 S 5/2007 Carver et al.
 7,216,450 B2 5/2007 Pikielny
 7,258,259 B1 8/2007 Owens
 7,290,688 B2 * 11/2007 Pikielny 224/163
 D567,501 S 4/2008 Zusman
 D568,043 S 5/2008 Zusman
 D574,147 S 8/2008 Zusman
 7,434,712 B2 10/2008 Cook et al.
 D582,150 S 12/2008 Har Shen
 D592,850 S * 5/2009 Shen D3/222
 D594,649 S 6/2009 Zusman
 7,562,797 B2 7/2009 Senn et al.
 D601,339 S 10/2009 Zusman
 D603,159 S 11/2009 Zusman
 D603,160 S 11/2009 Zusman
 7,735,255 B1 6/2010 Kincaid
 7,814,698 B2 10/2010 Fluhr
 7,816,888 B2 10/2010 Rejman
 D641,548 S 7/2011 Zusman
 D653,848 S 2/2012 Alstrom et al.
 8,235,263 B1 8/2012 Yeates
 D681,943 S 5/2013 Beard et al.
 8,631,981 B2 1/2014 Zusman
 8,720,755 B2 * 5/2014 Gregory et al. 224/244
 2005/0205621 A1 9/2005 Shults
 2005/0223614 A1 10/2005 Pikielny
 2005/0268518 A1 12/2005 Pikielny
 2005/0268519 A1 12/2005 Pikielny
 2006/0130386 A1 6/2006 Pikielny
 2006/0156609 A1 7/2006 Kim
 2006/0236583 A1 10/2006 Pikielny
 2007/0017140 A1 1/2007 Pikielny
 2007/0084101 A1 4/2007 Pikielny
 2007/0175935 A1 8/2007 Clifton
 2007/0266611 A1 11/2007 Stover

OTHER PUBLICATIONS

“5125-301—Ceska zbrojovka”, <http://www.czub.cz/en/catalog/87-accessories/AC-HO/5125-0301.aspx>, May 3, 2011, pp. 3.

* cited by examiner

FIG. 1

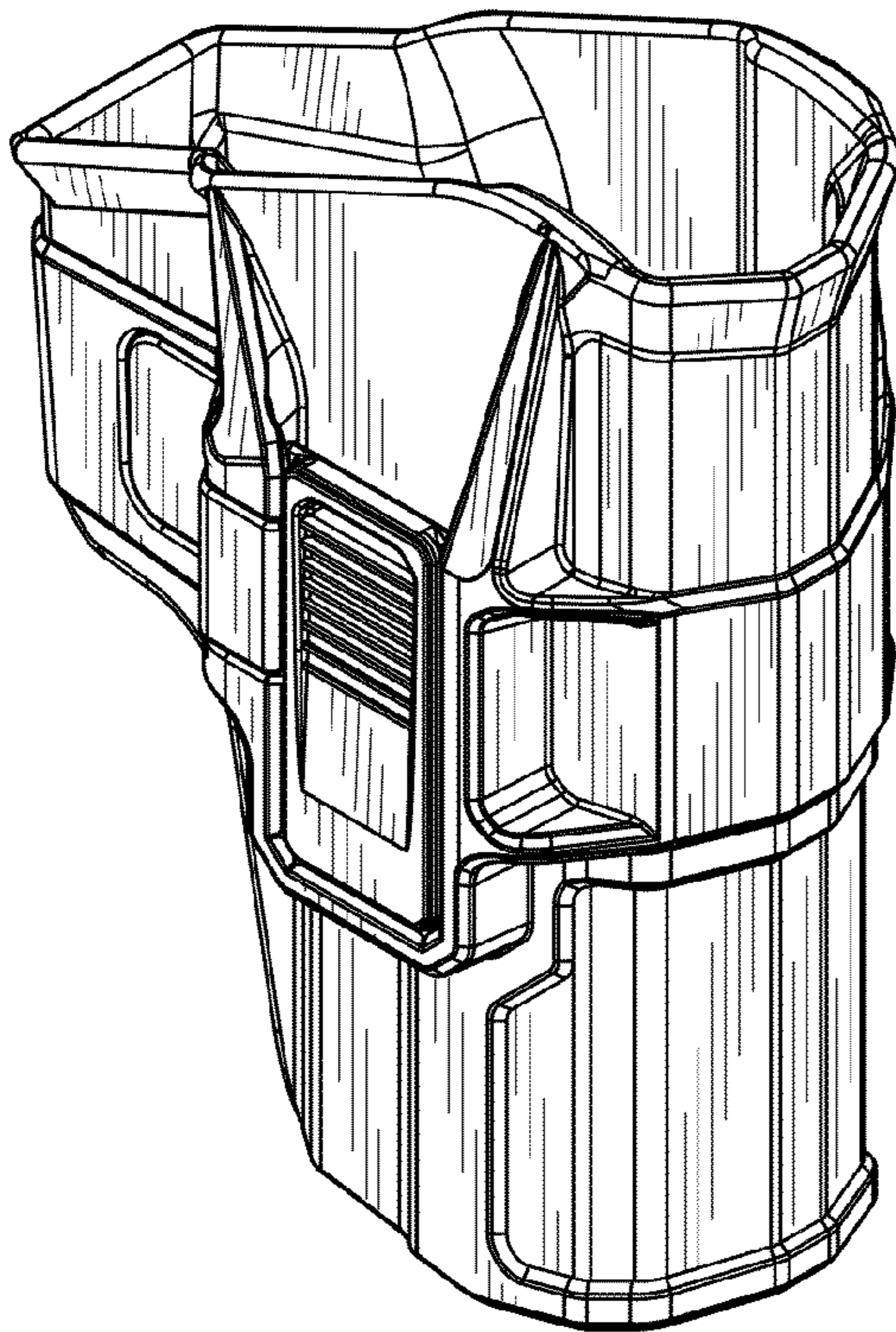
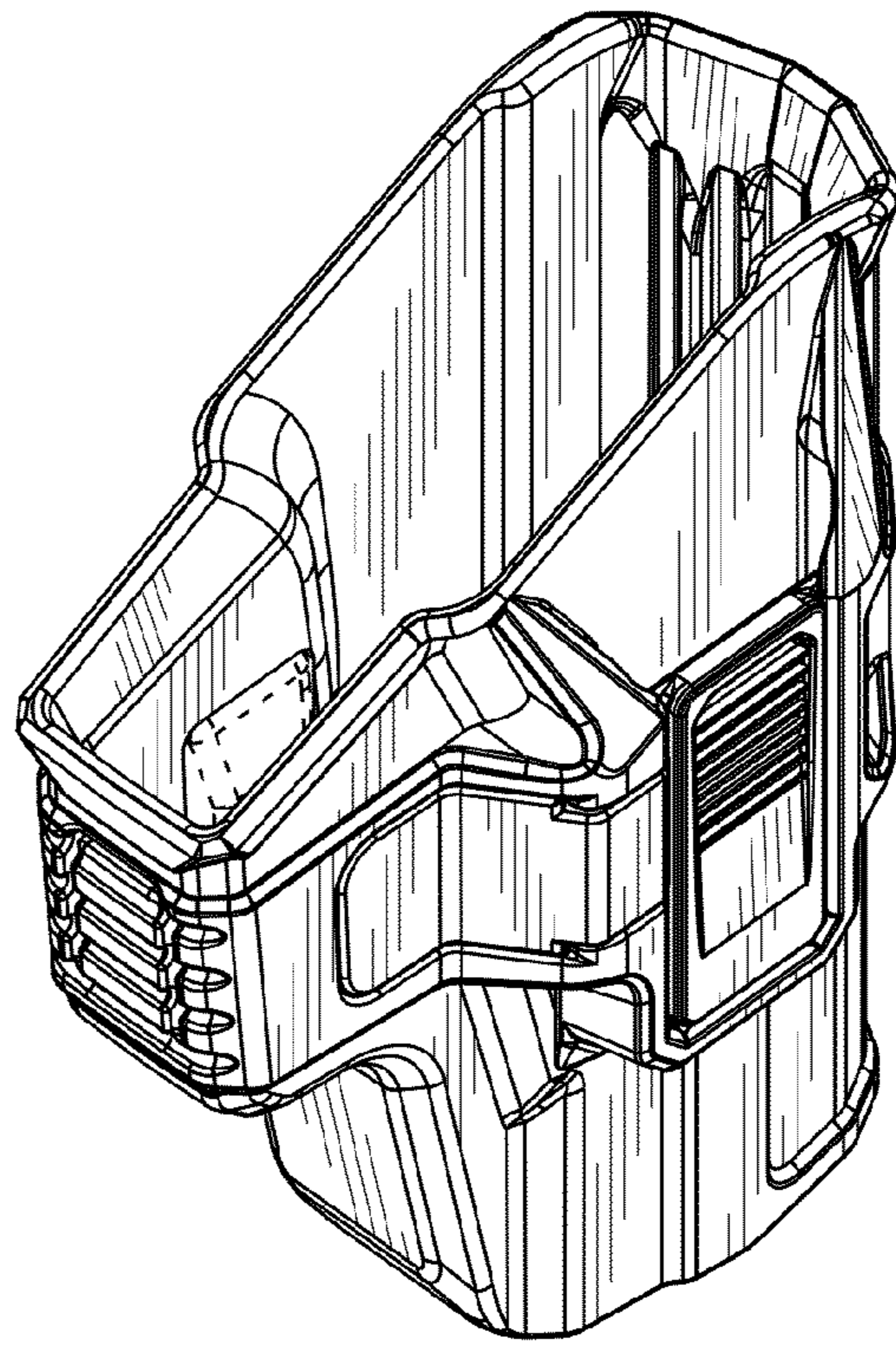


FIG. 2

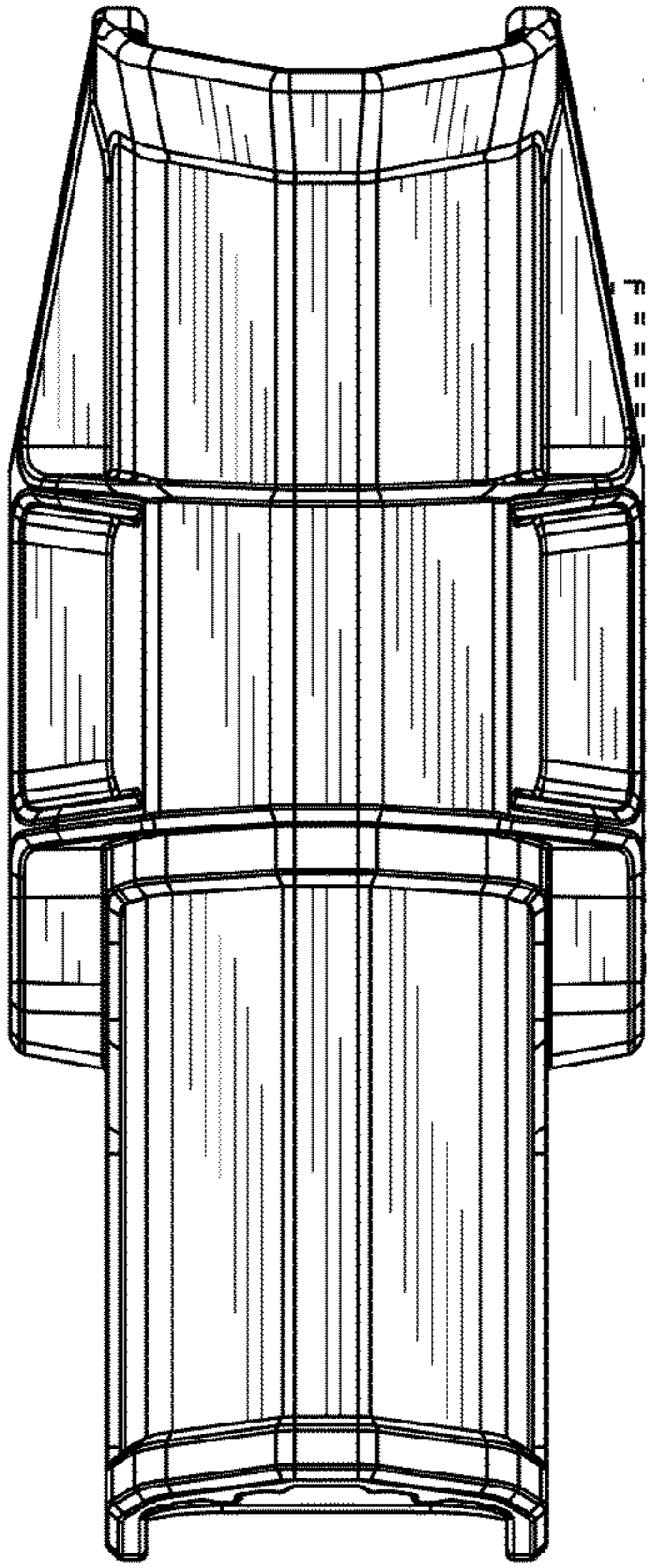


FIG. 3

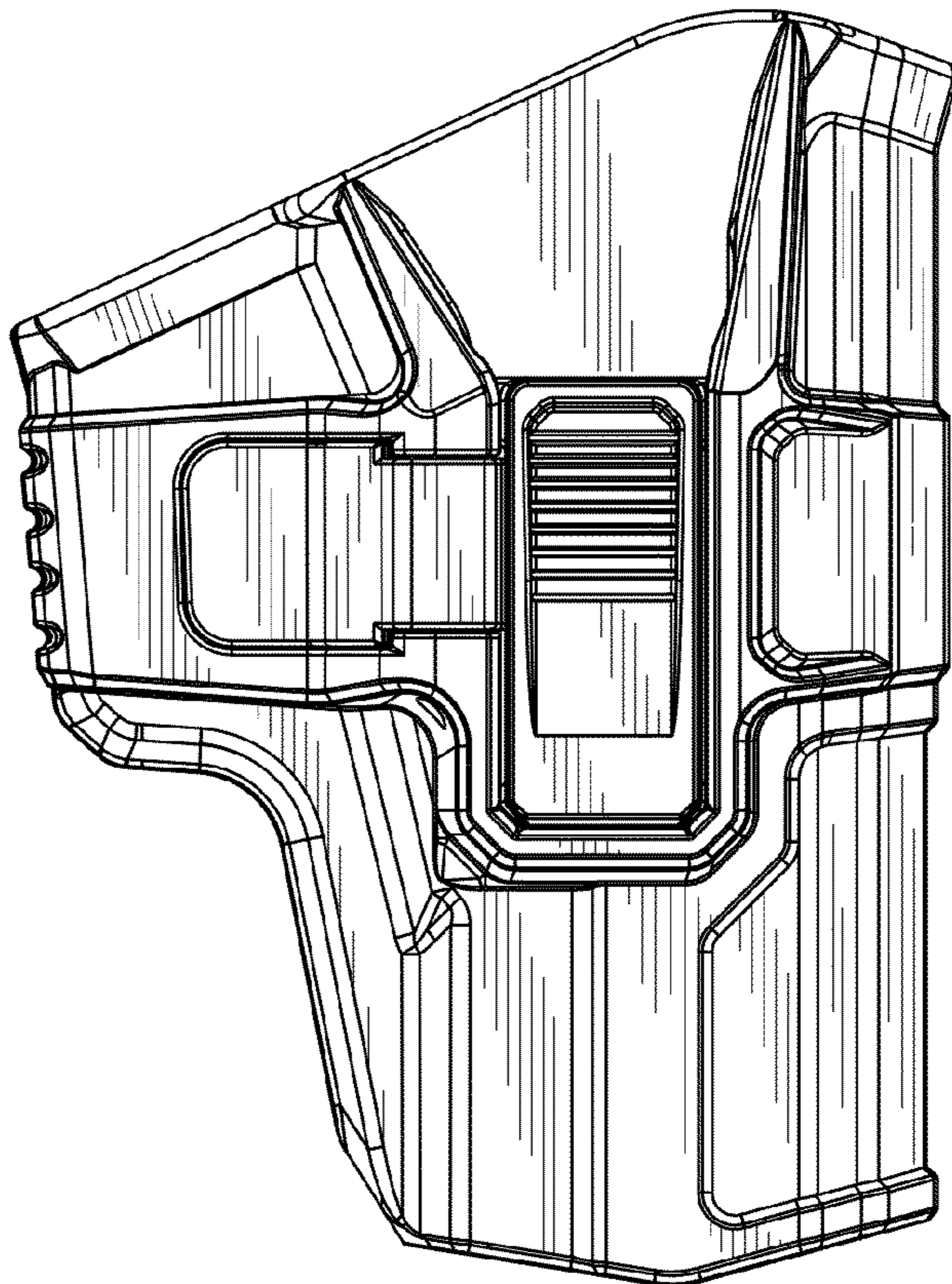


FIG. 4

FIG. 5

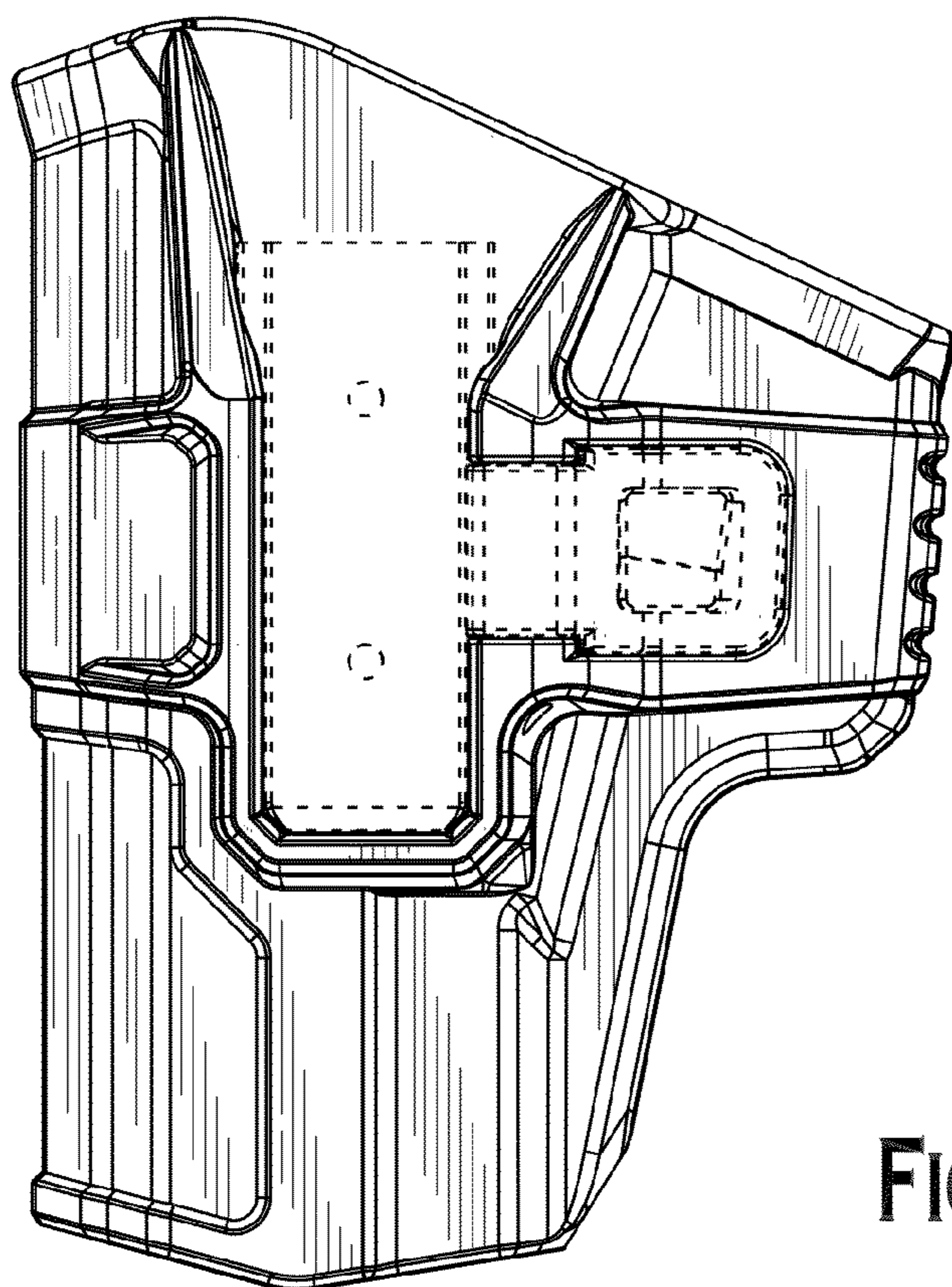
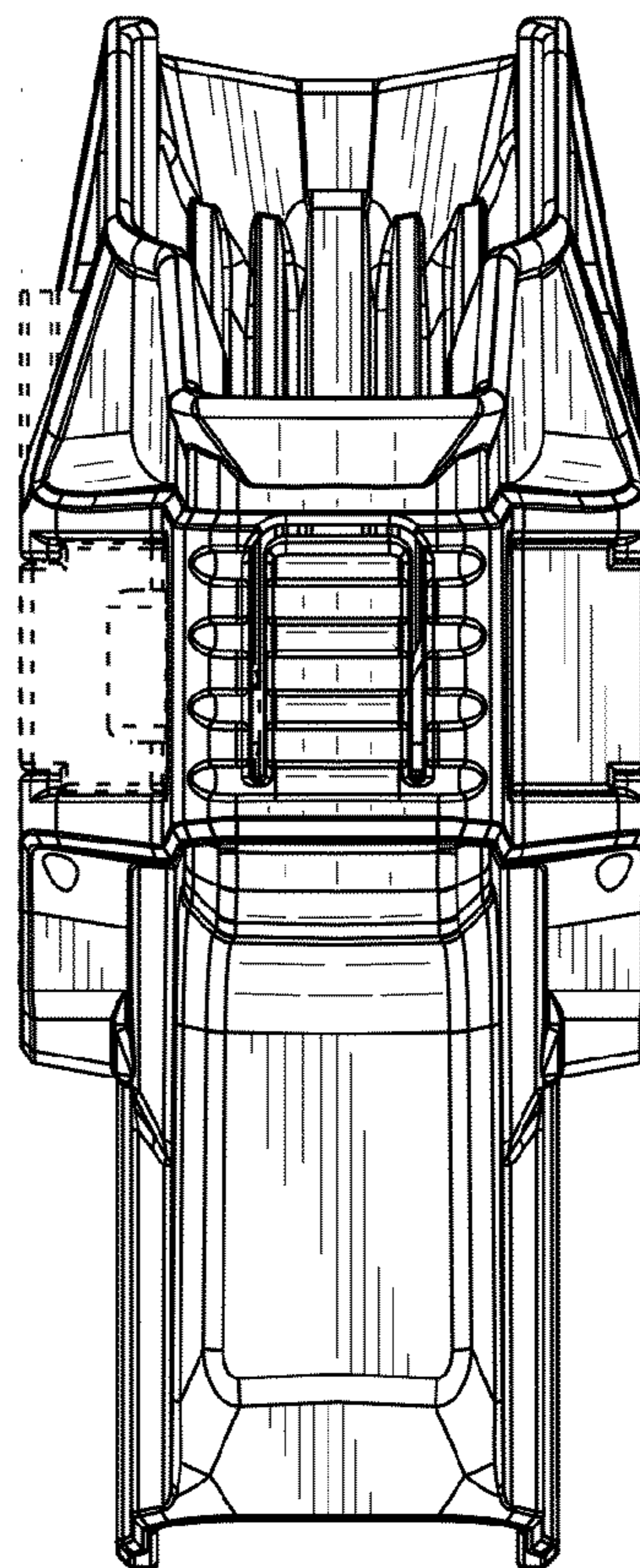


FIG. 6

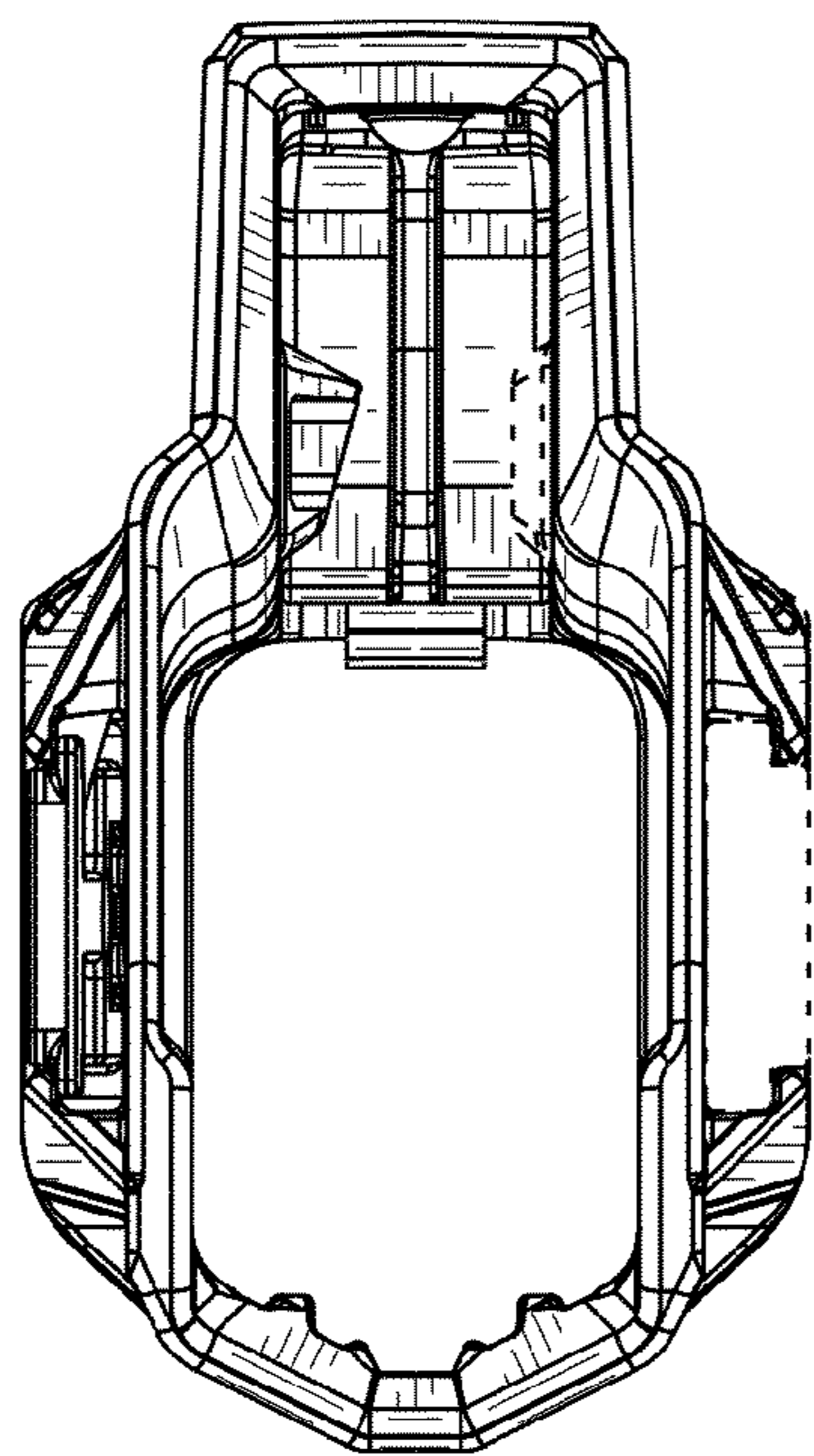


FIG. 7

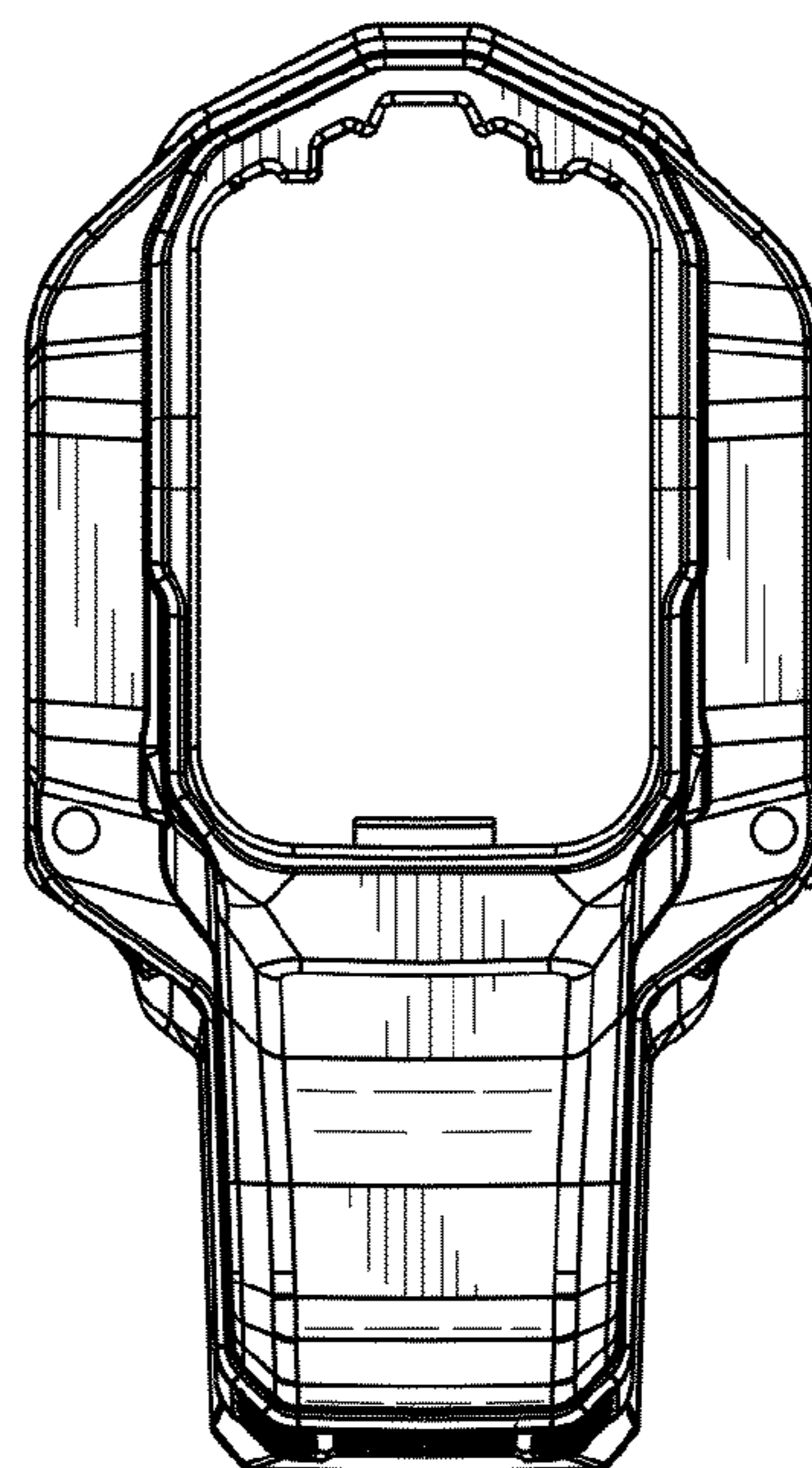


FIG. 8

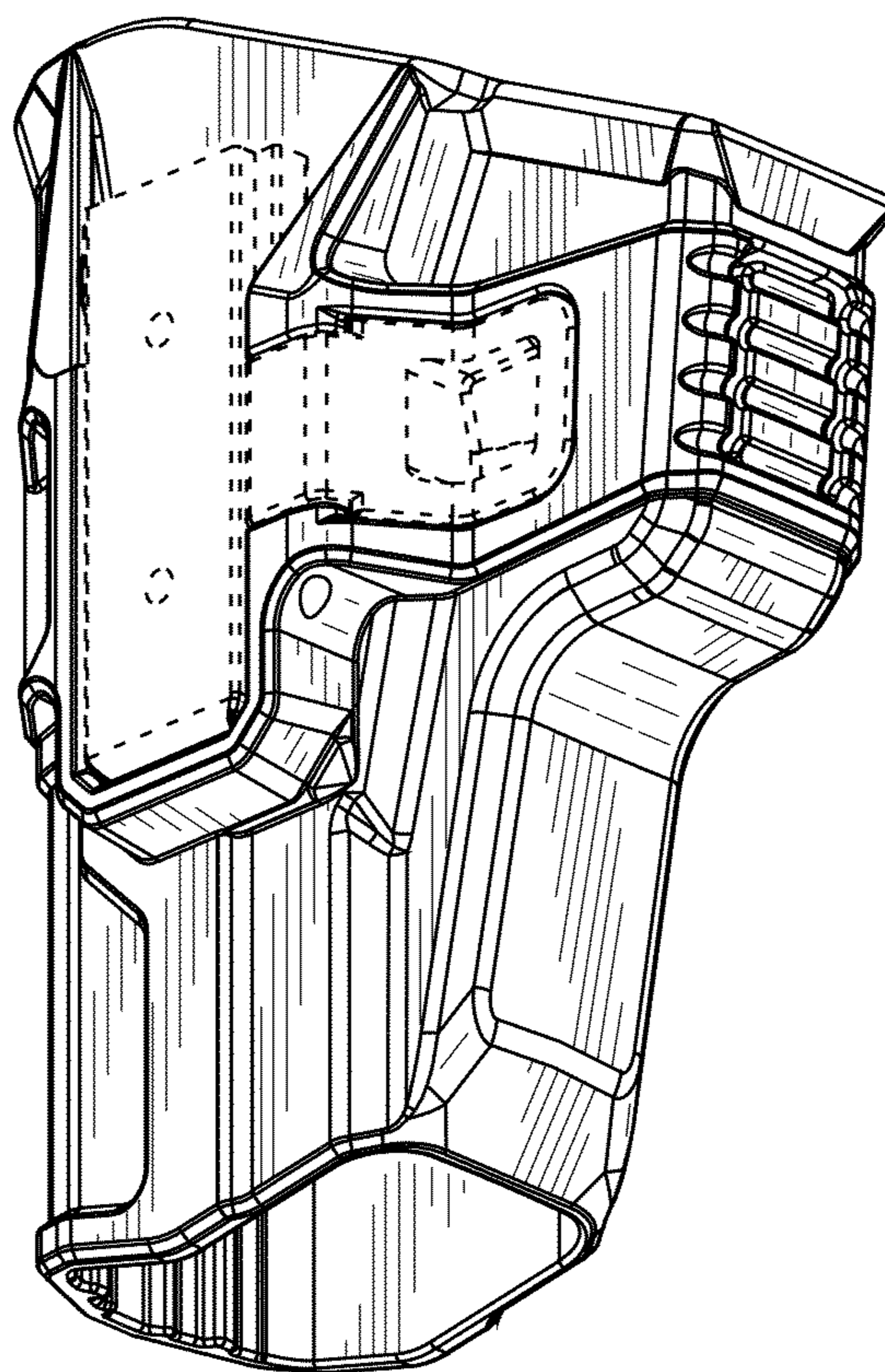


FIG. 9

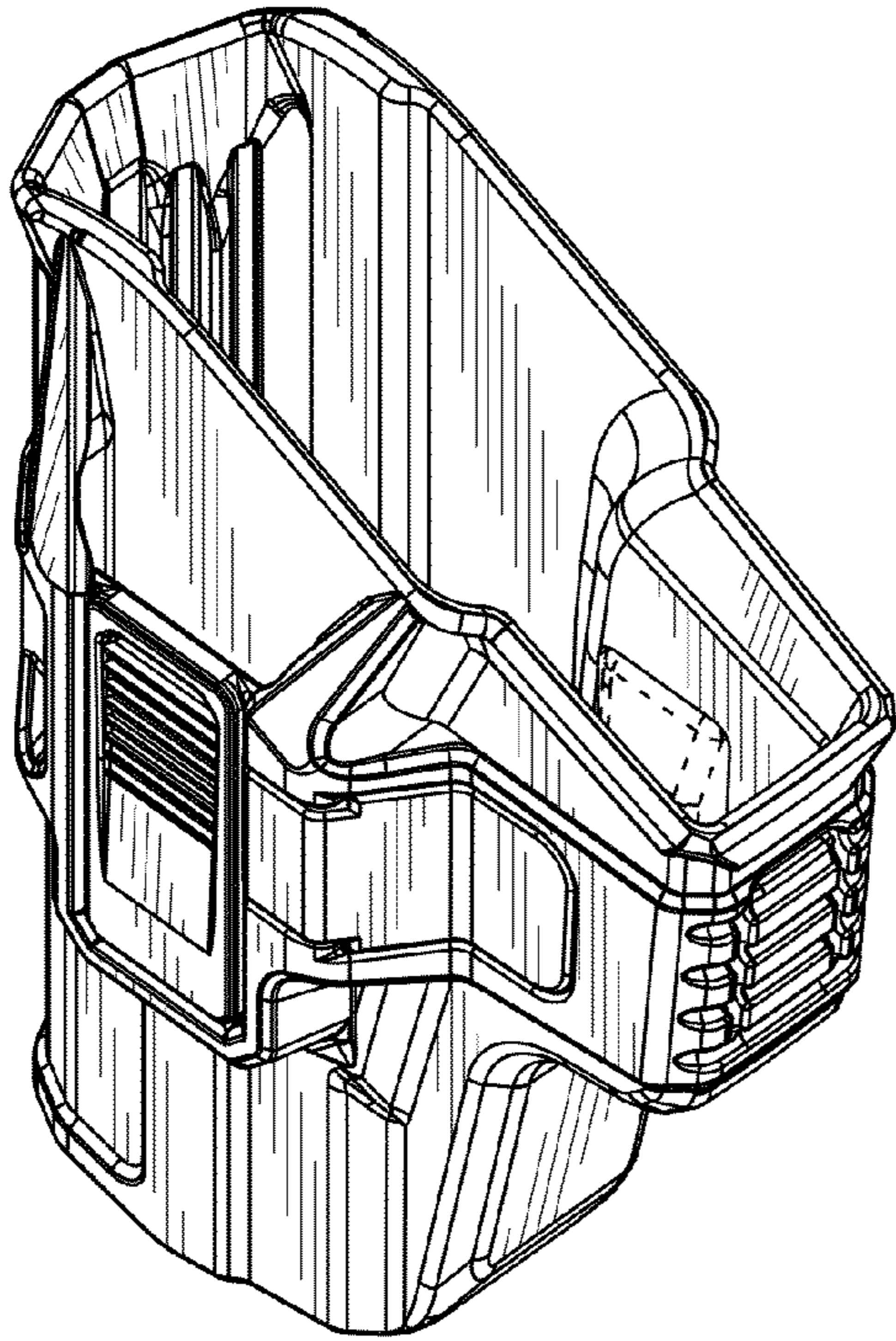


FIG. 10

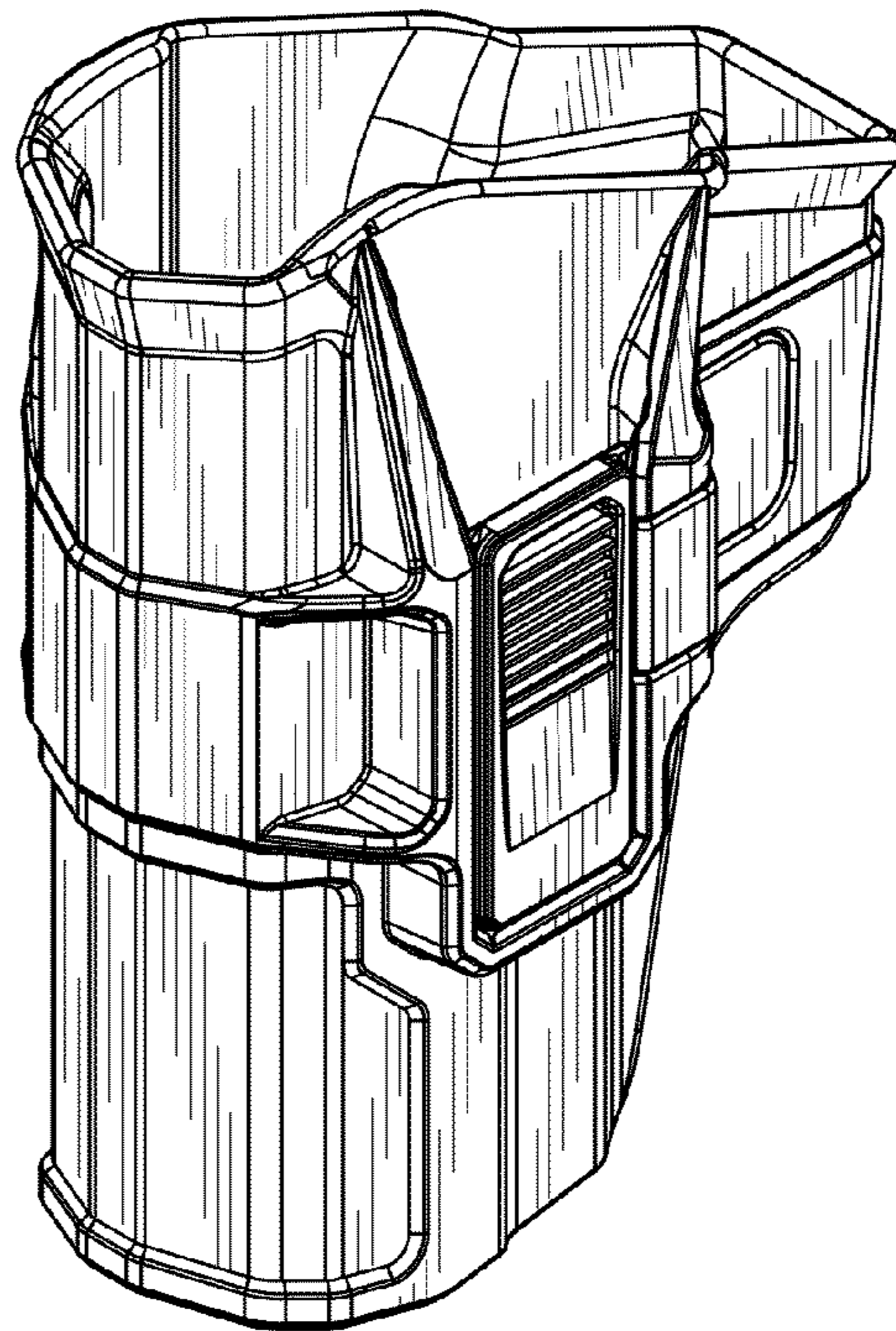


FIG. 11

FIG. 12

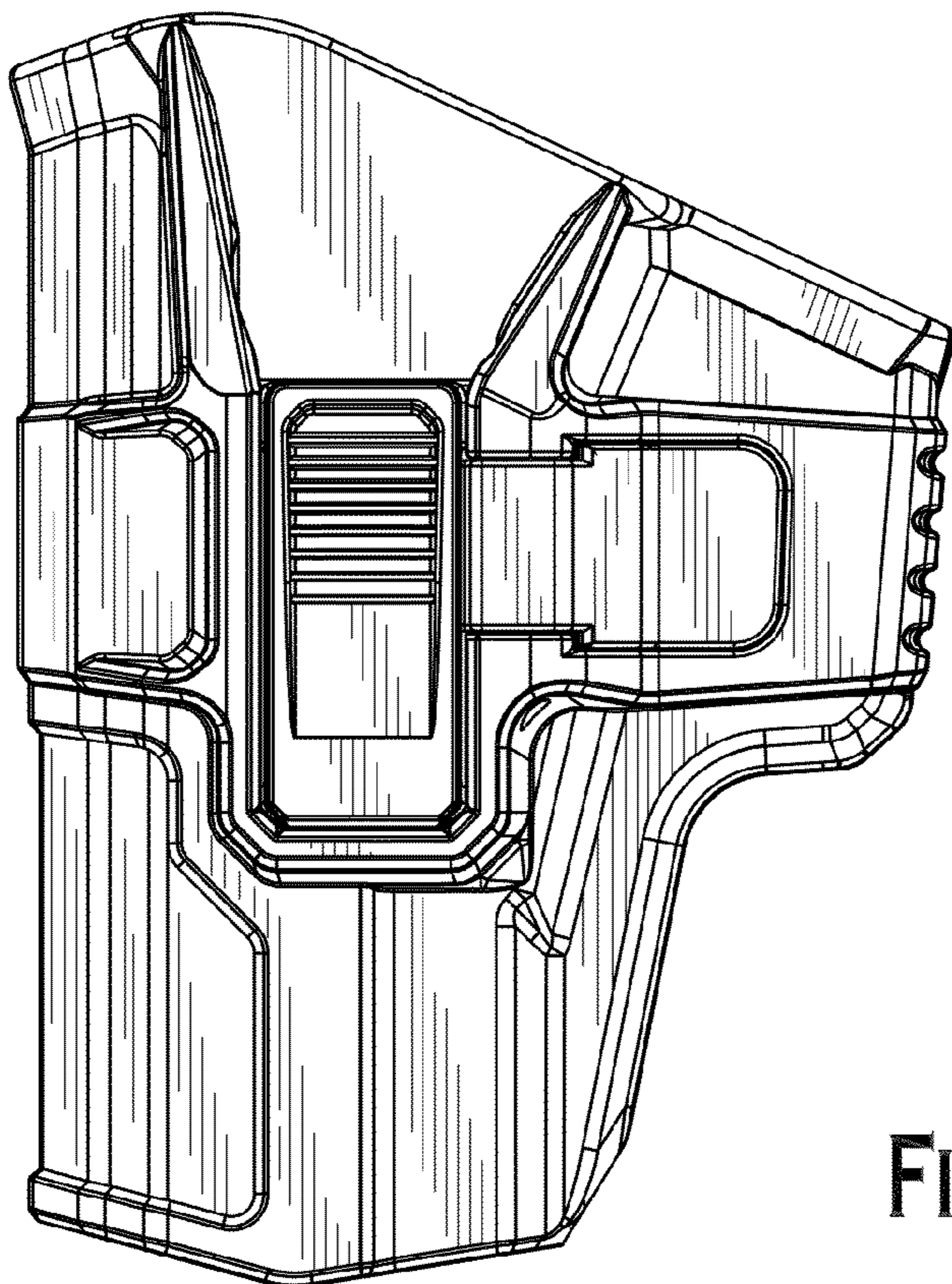
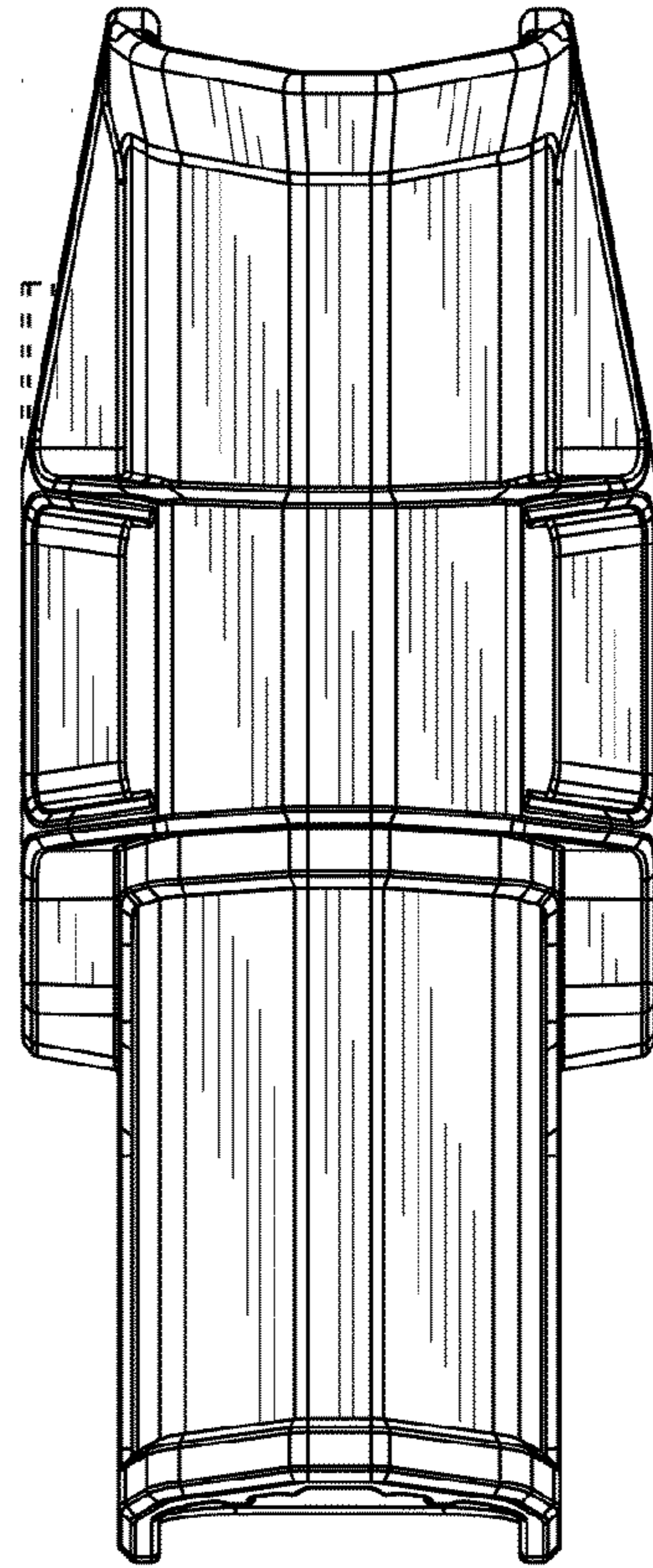


FIG. 13

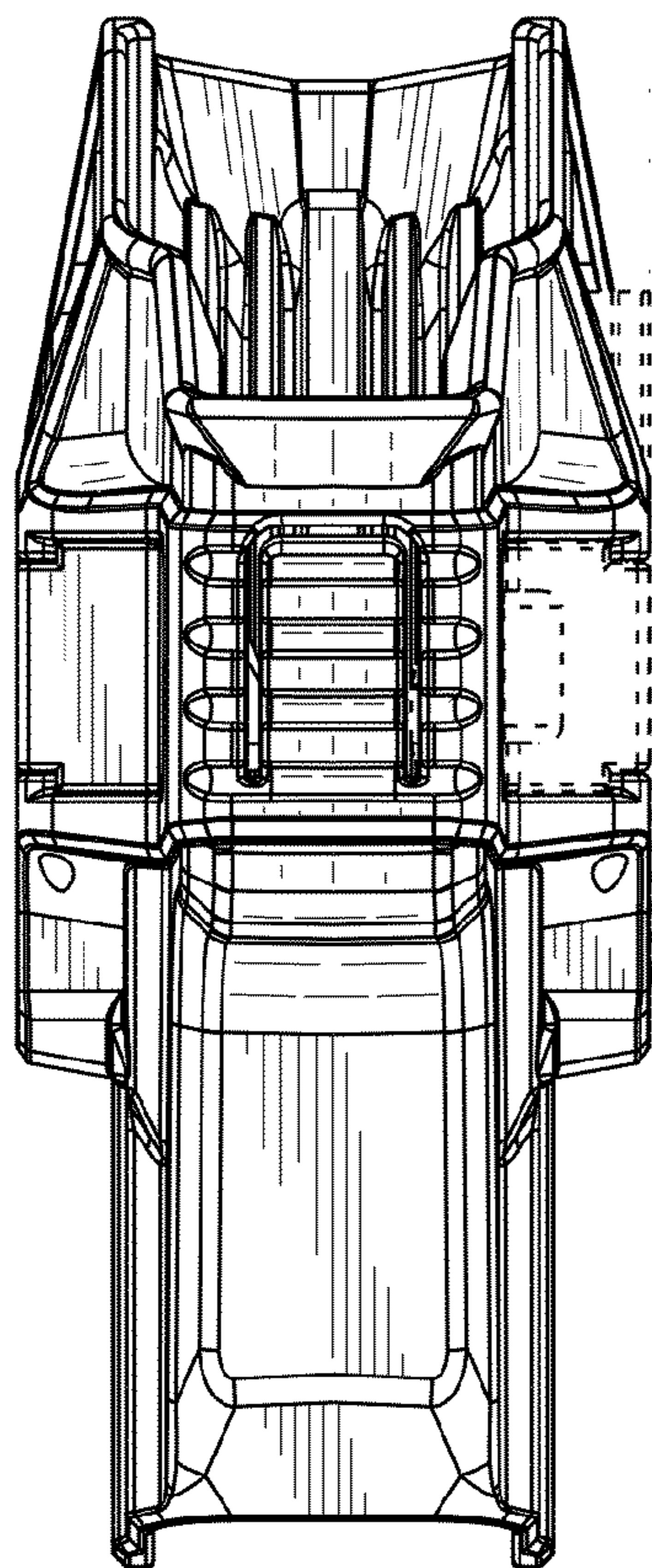


FIG. 14

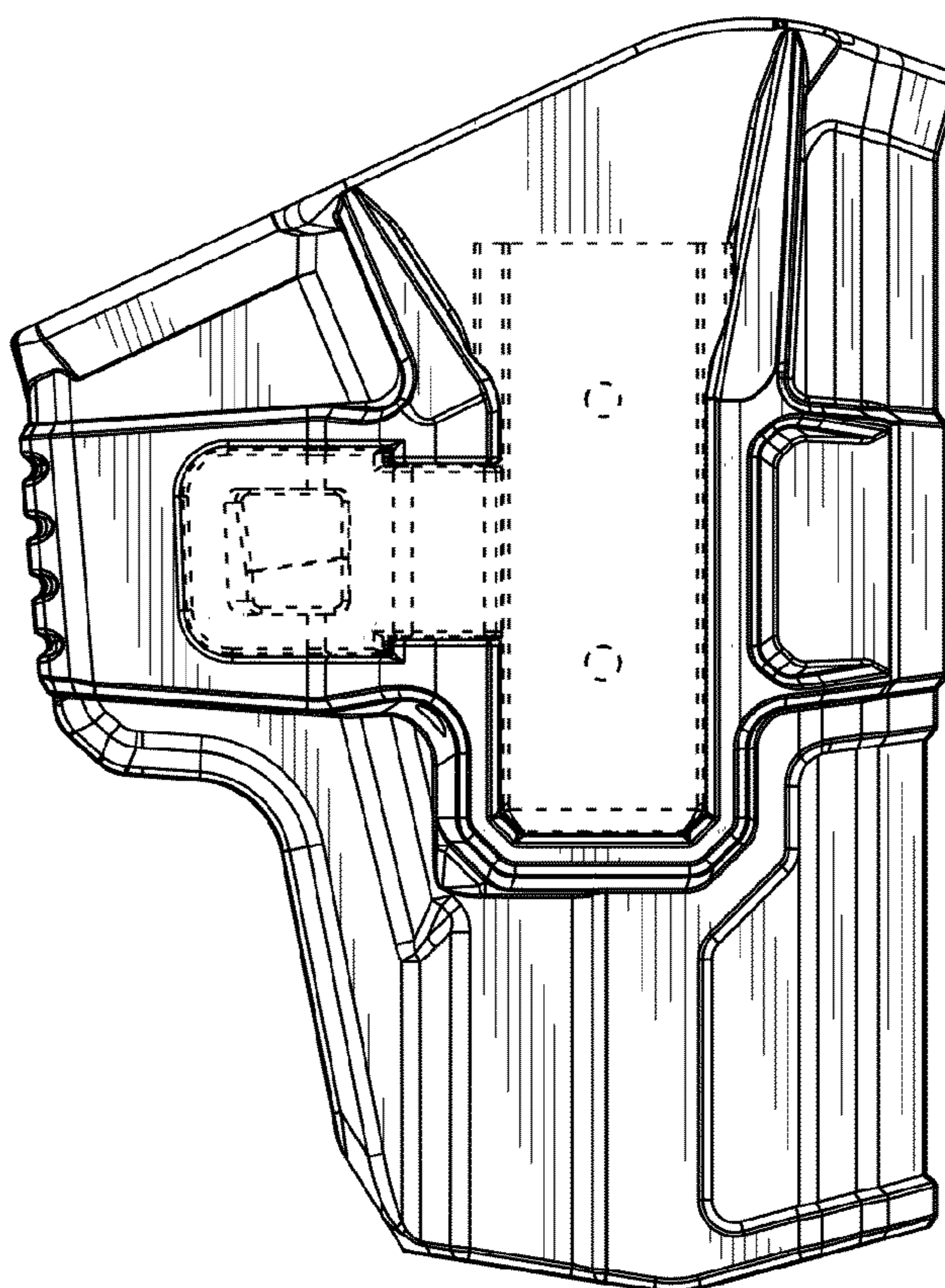


FIG. 15

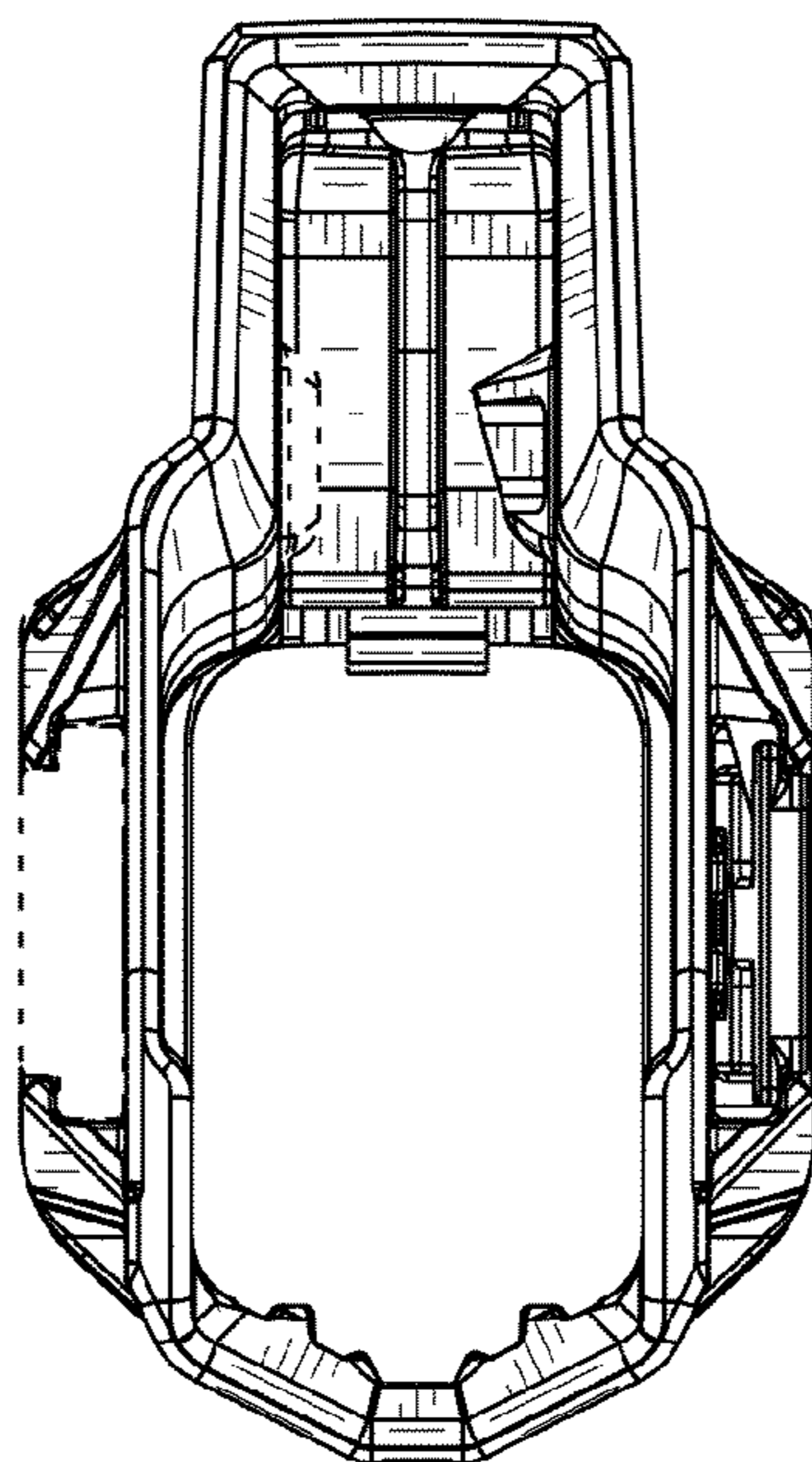


FIG. 16

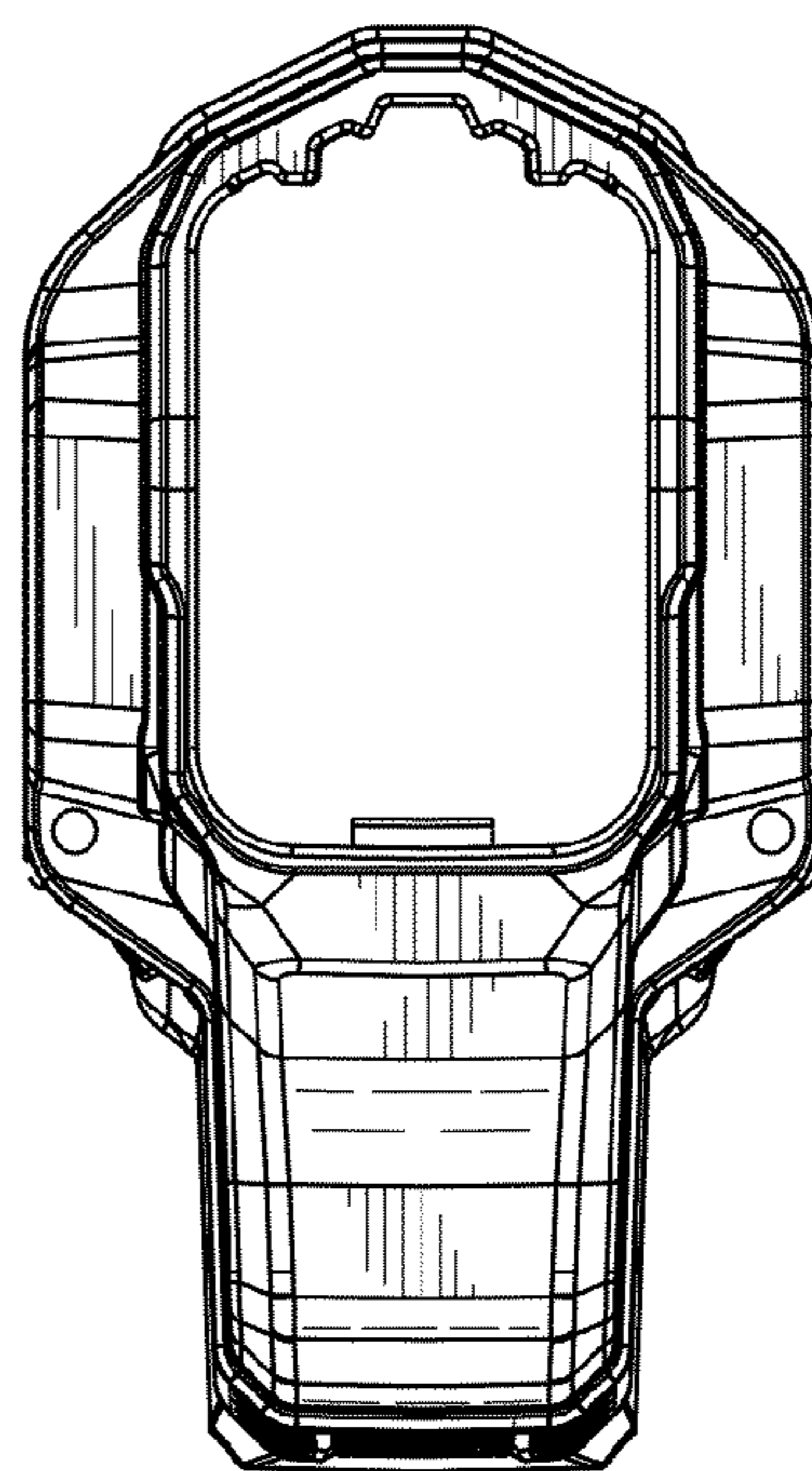


FIG. 17

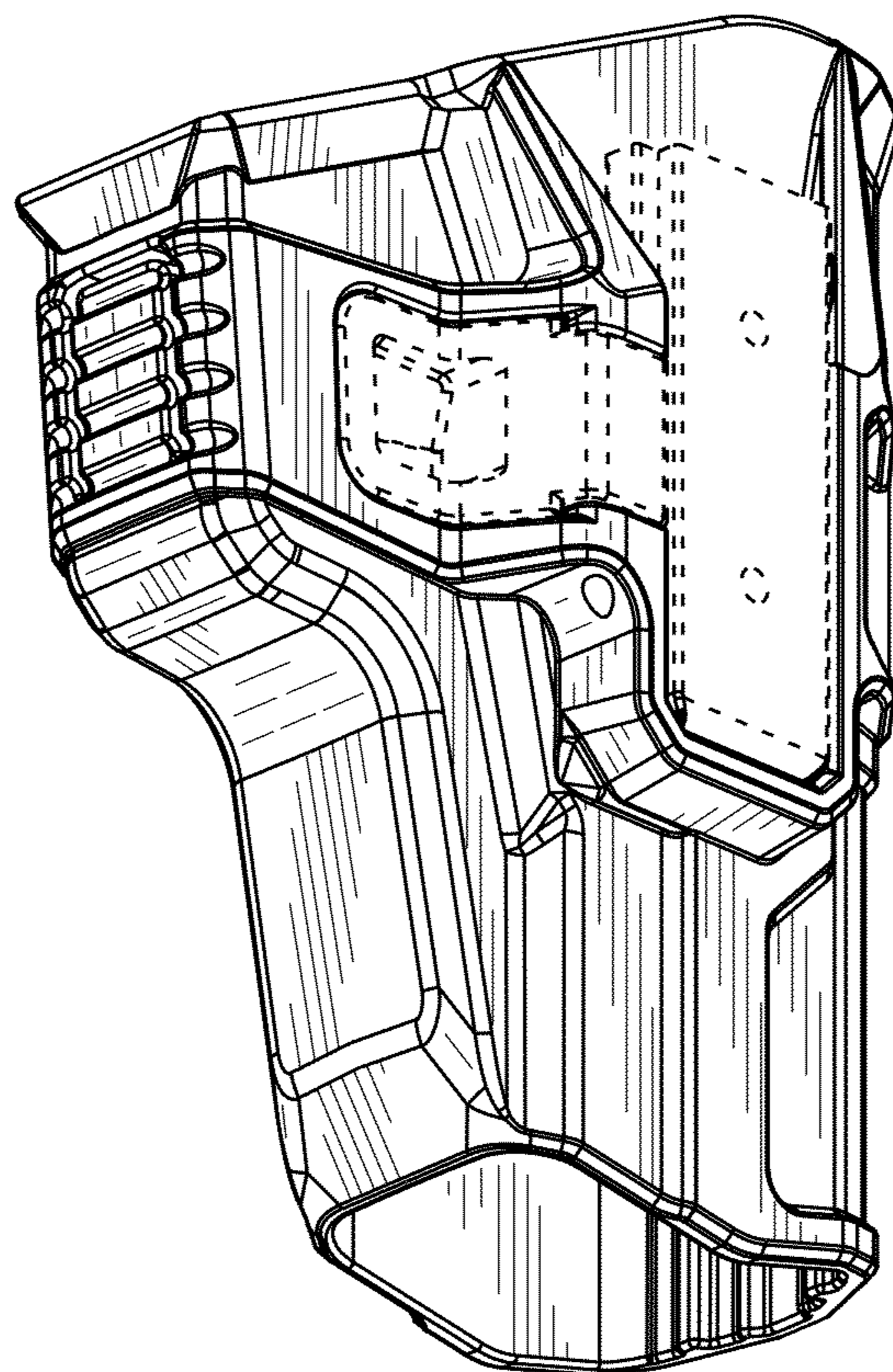


FIG. 18

FIG. 19

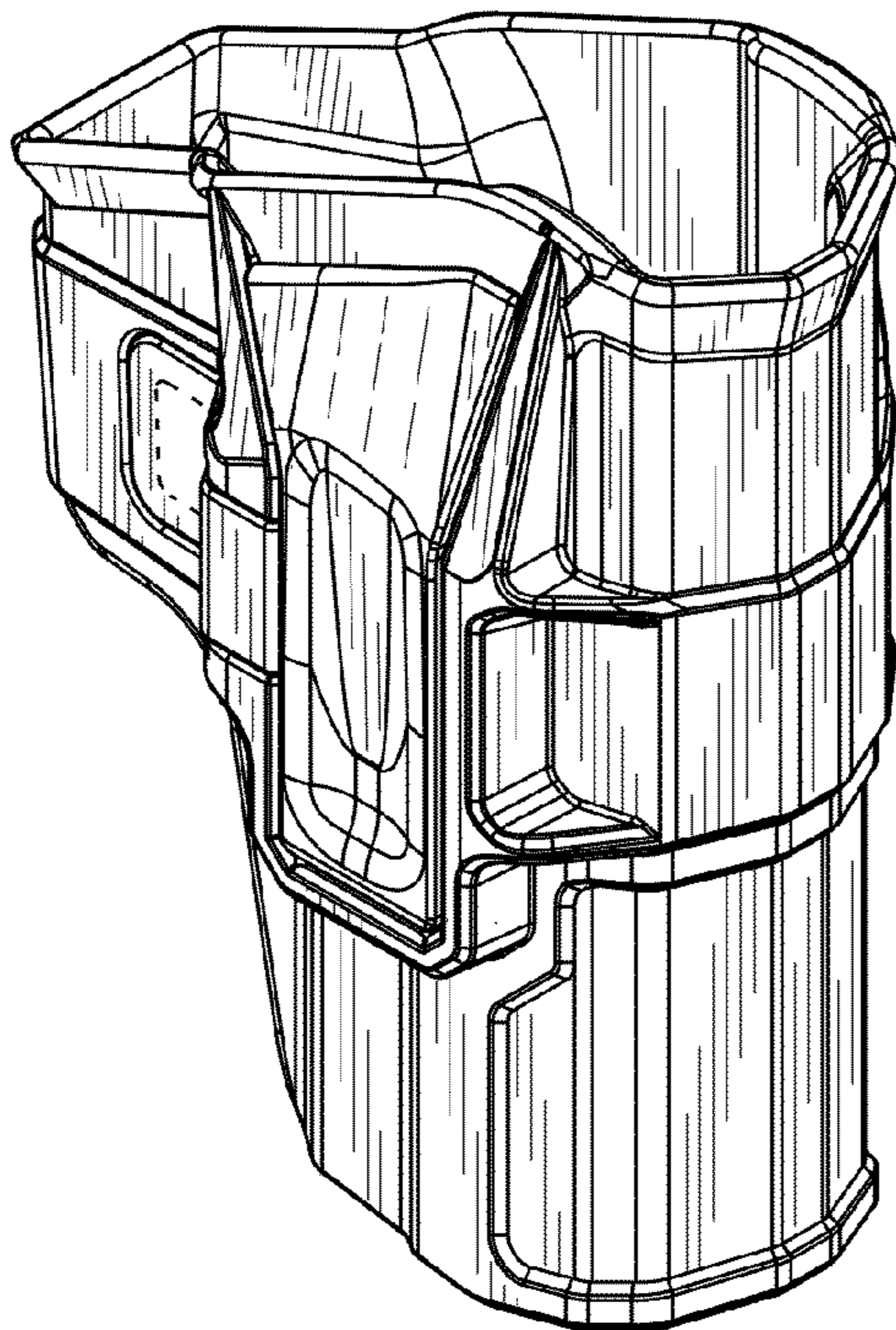
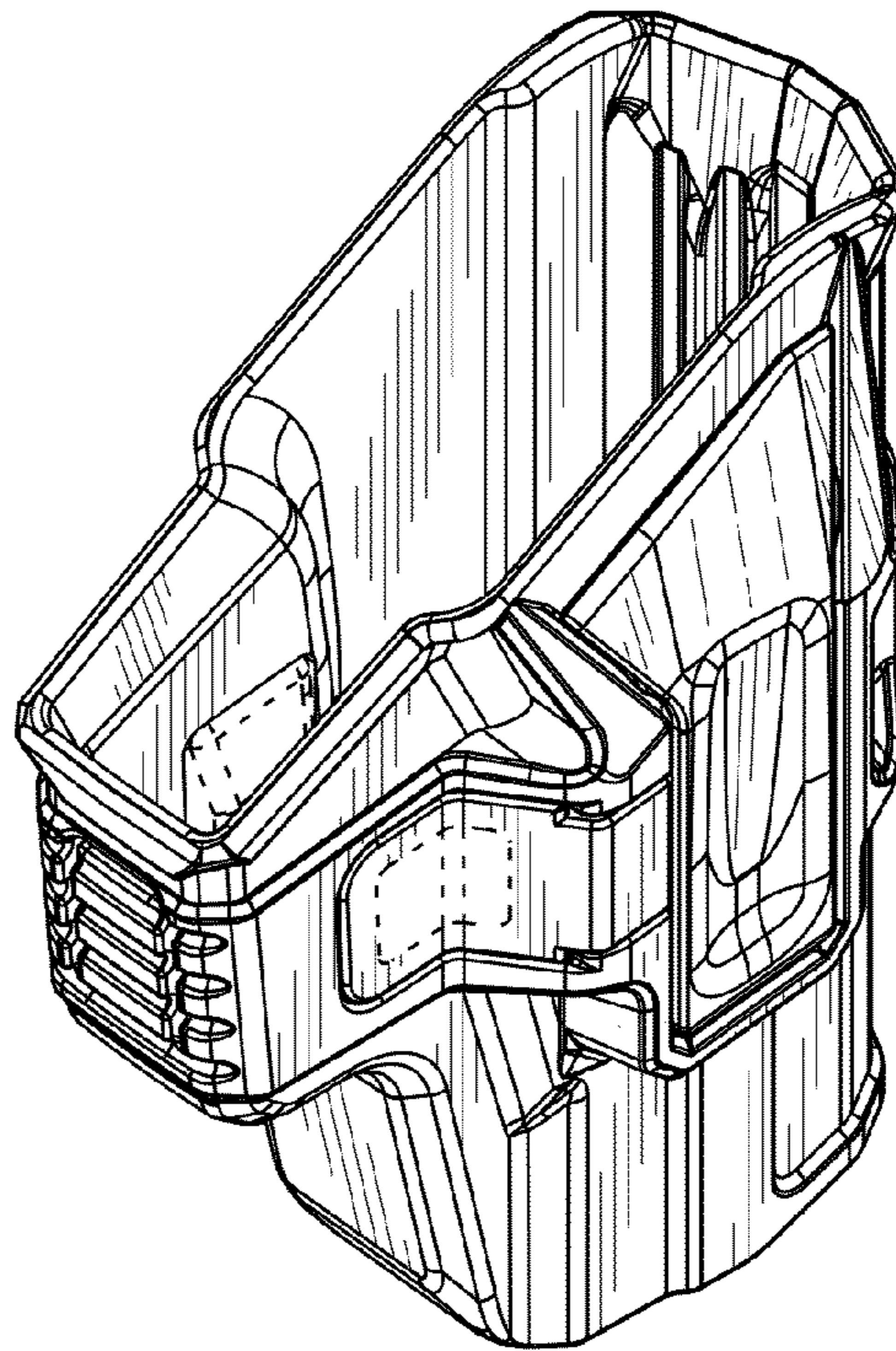


FIG. 20

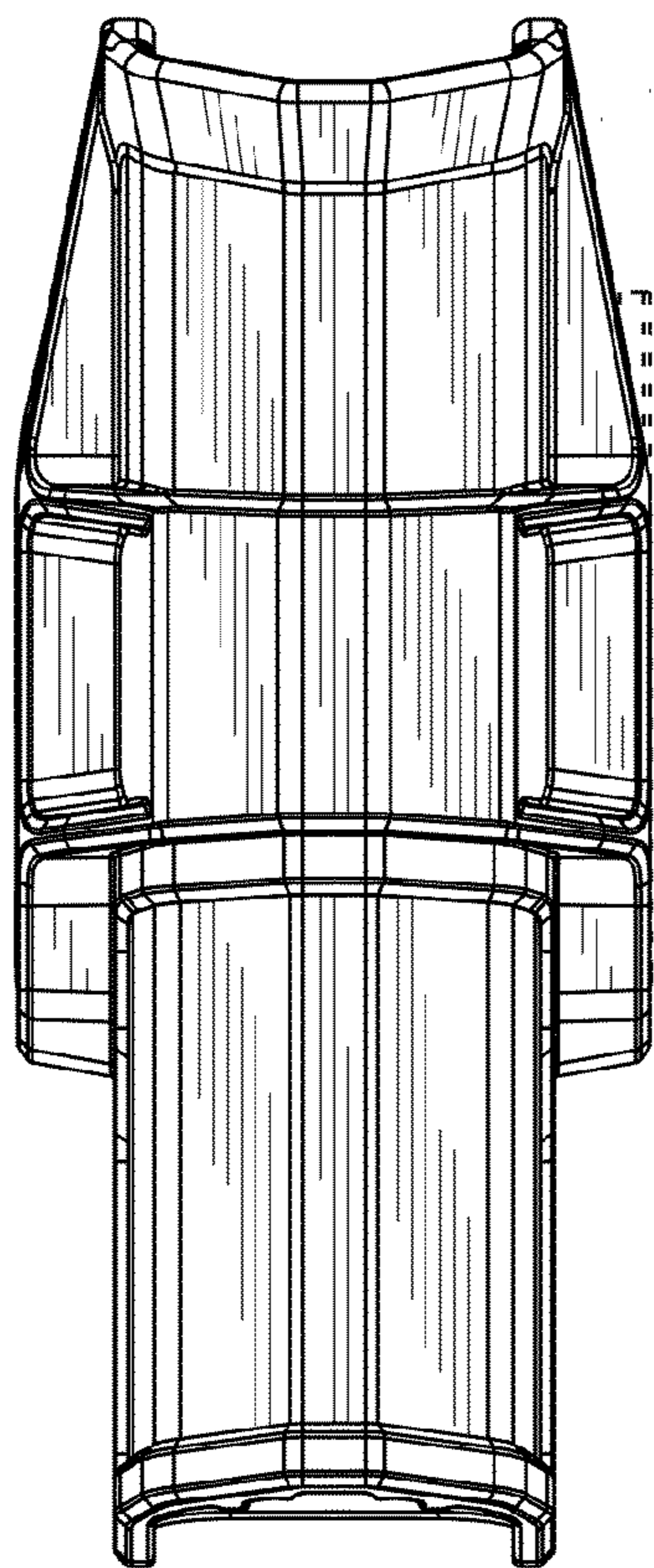


FIG. 21

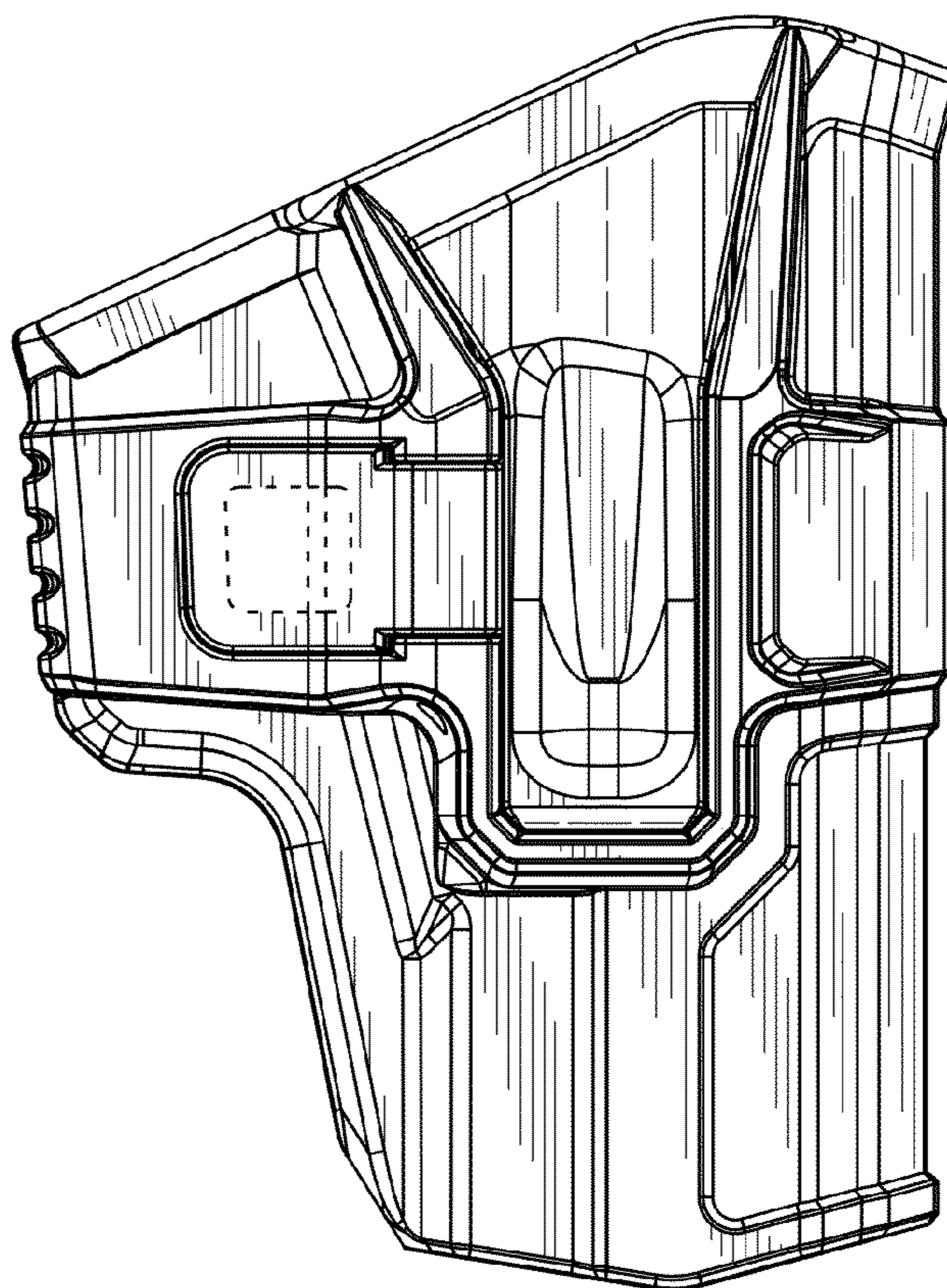


FIG. 22

FIG. 23

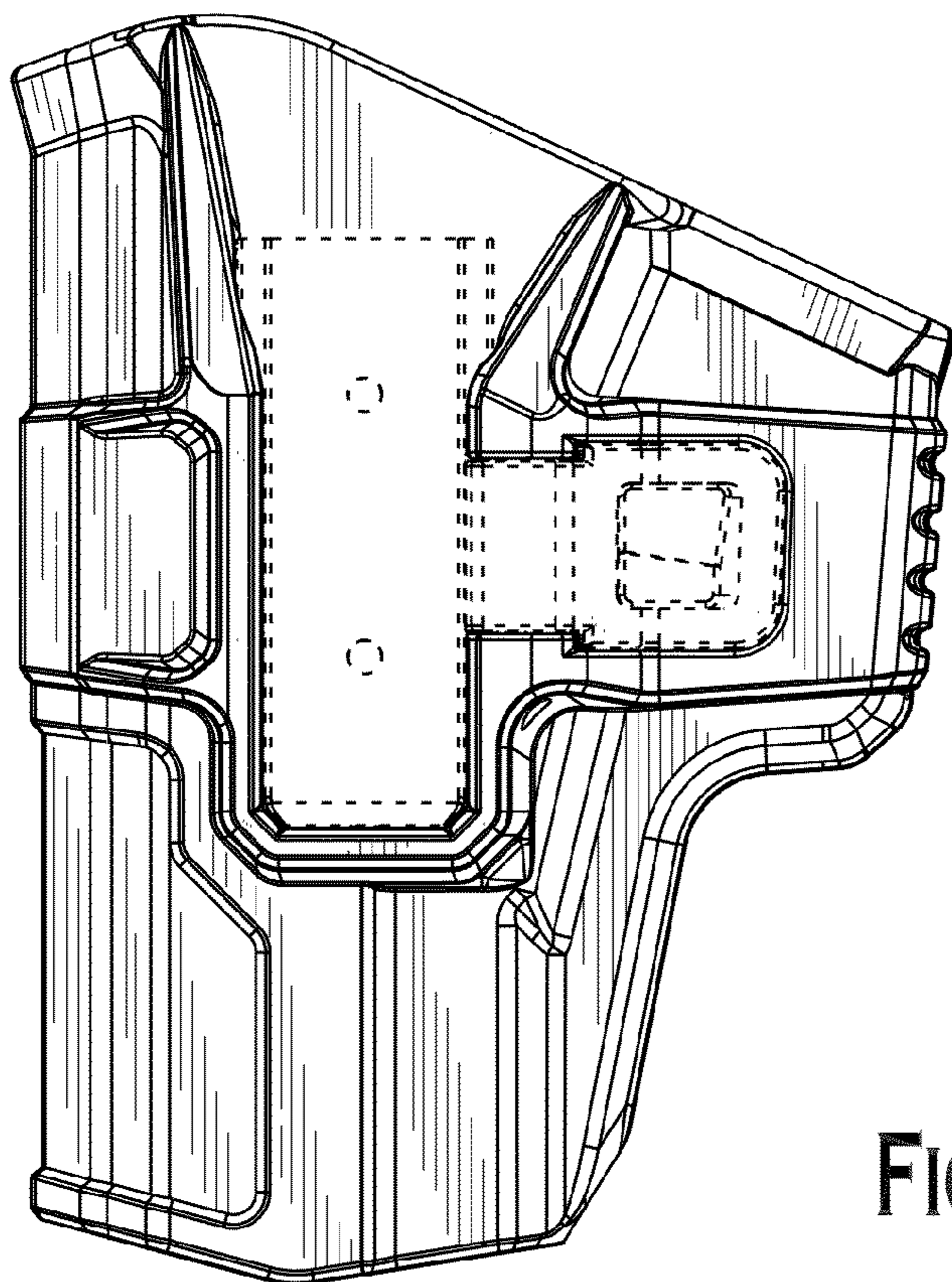
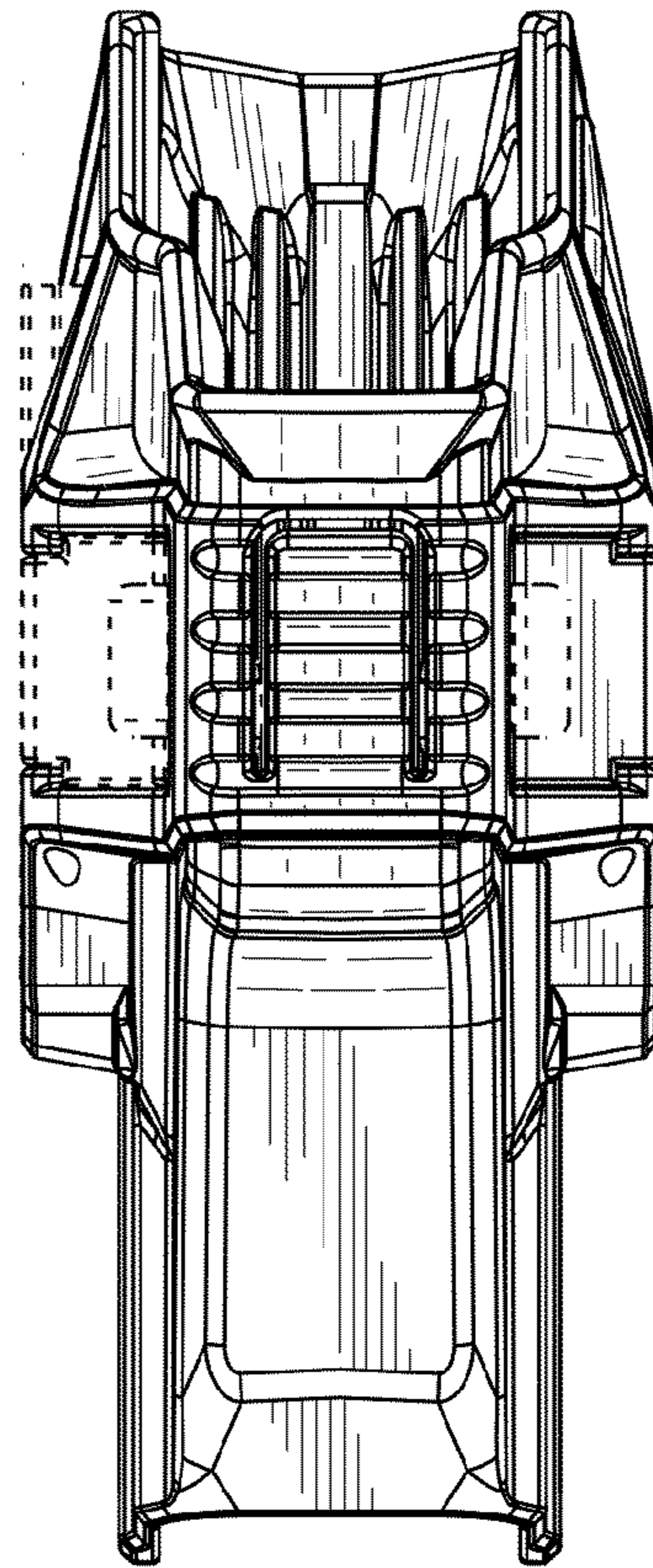


FIG. 24

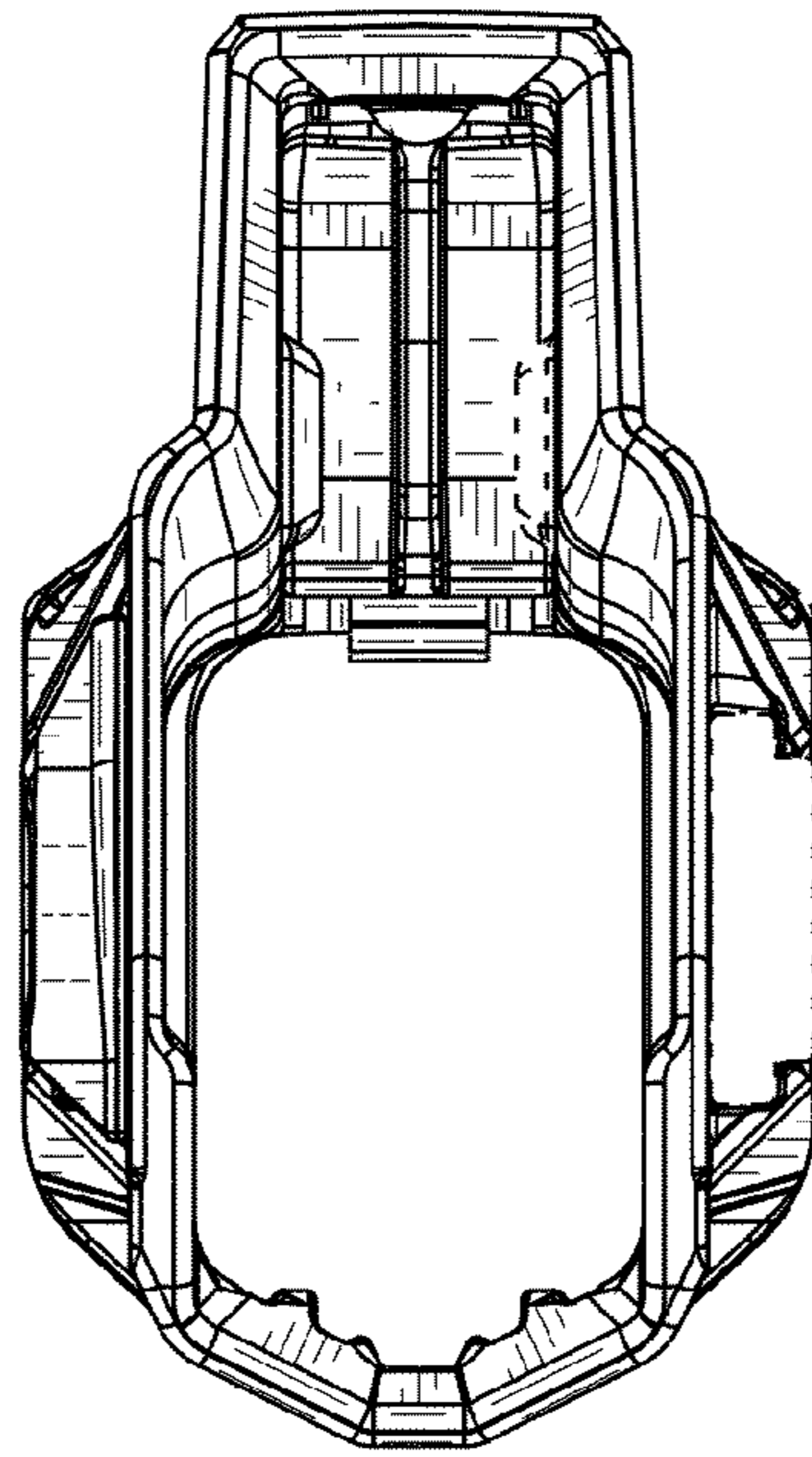


FIG. 25

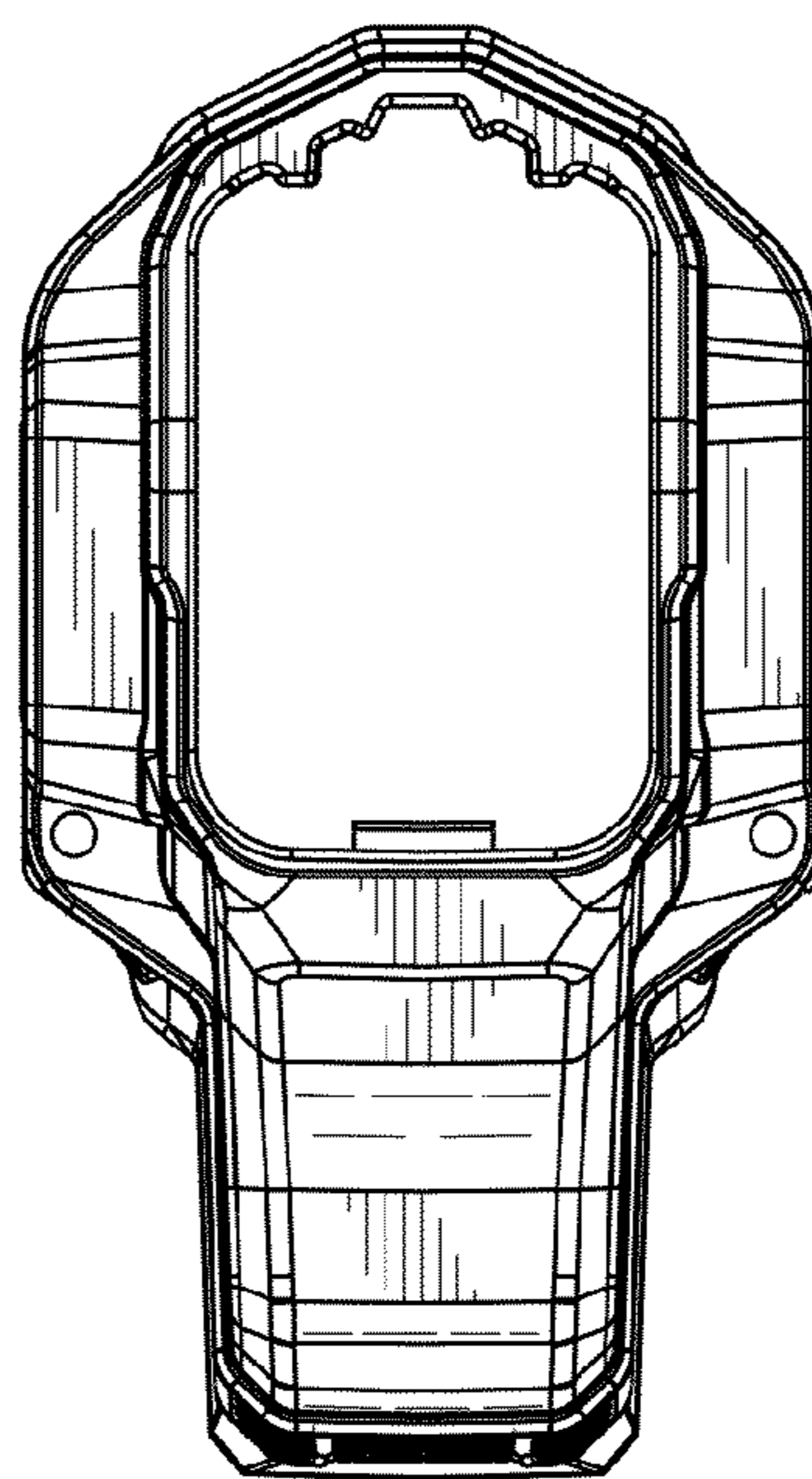


FIG. 26

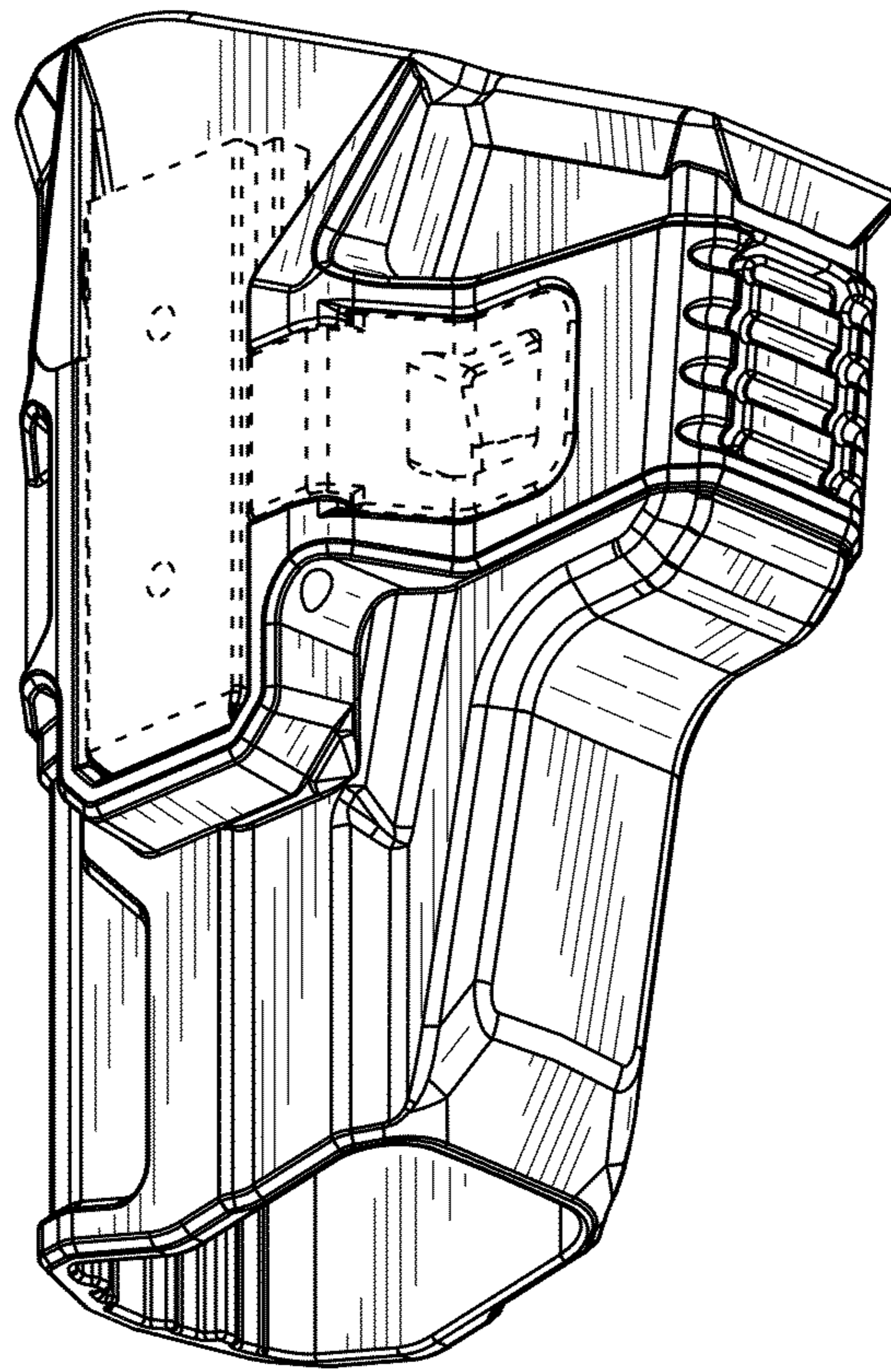


FIG. 27

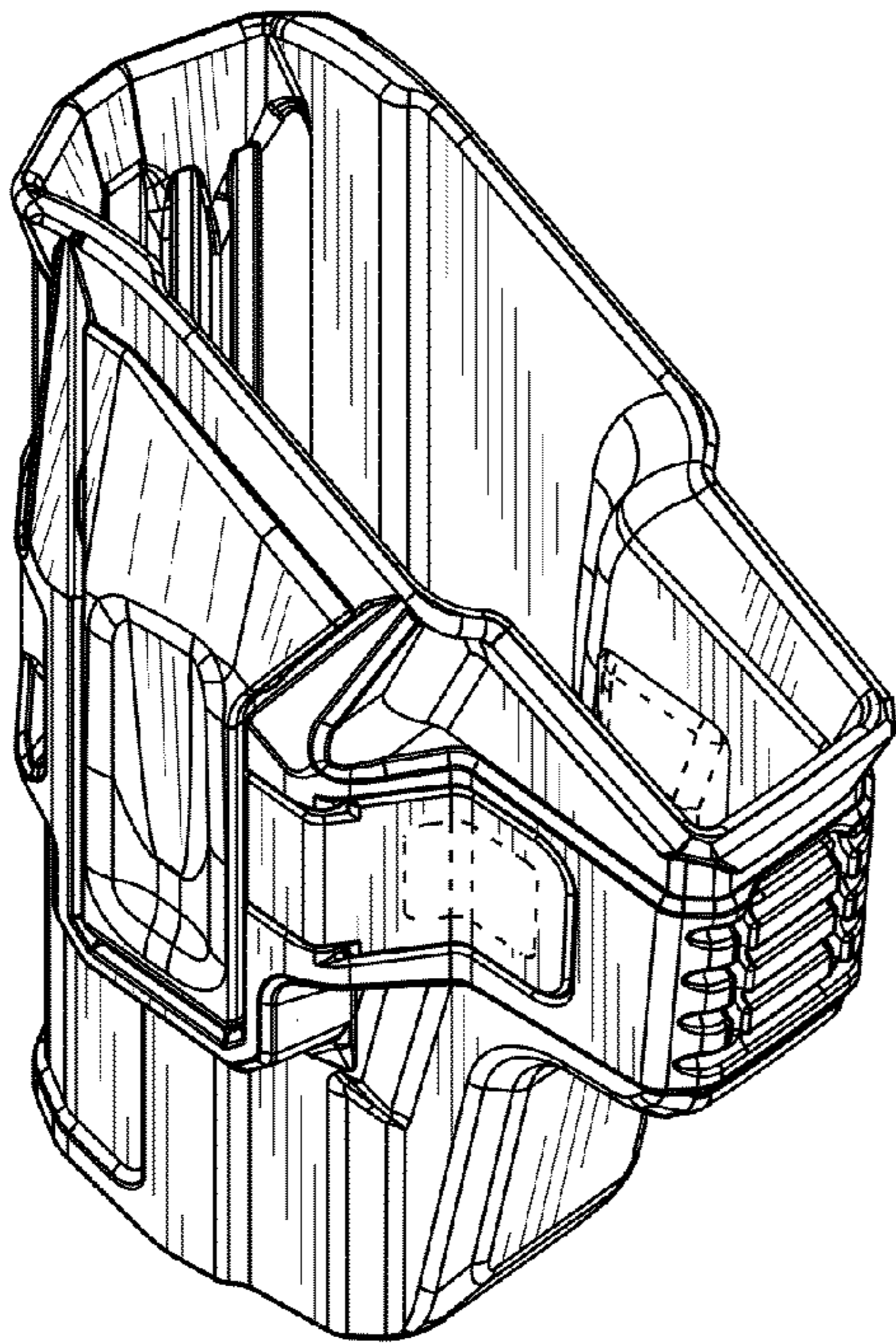


FIG. 28

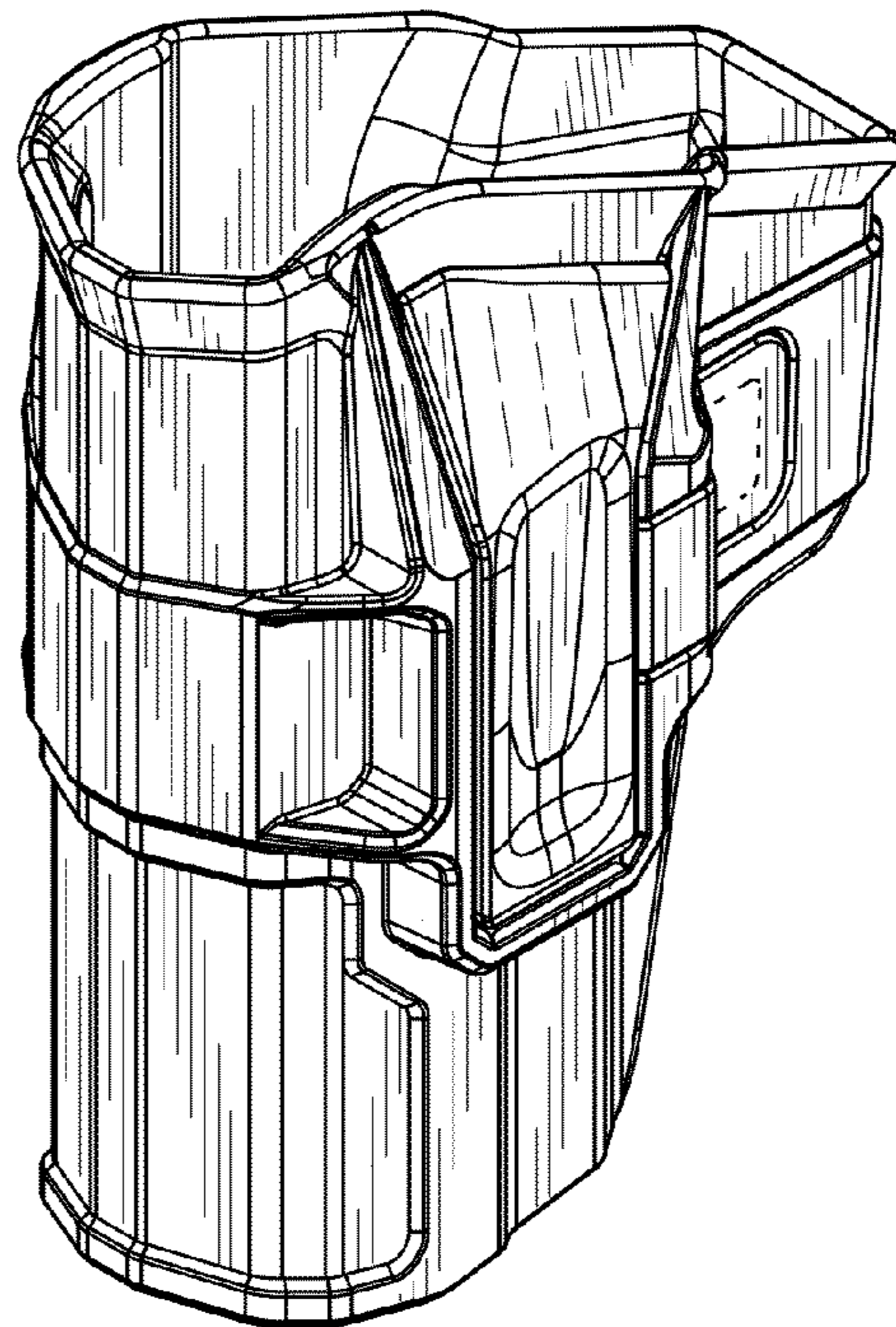


FIG. 29

FIG. 30

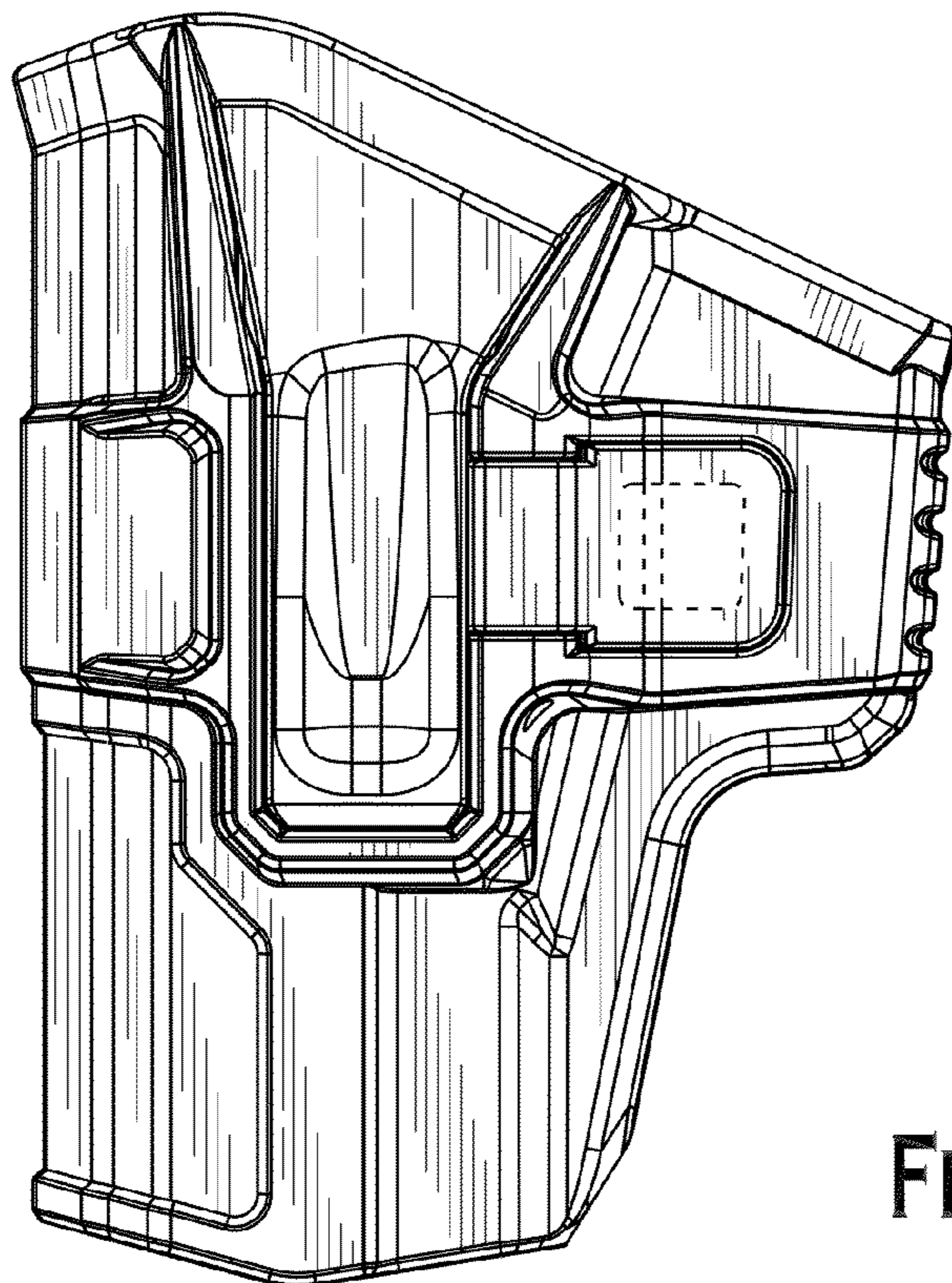
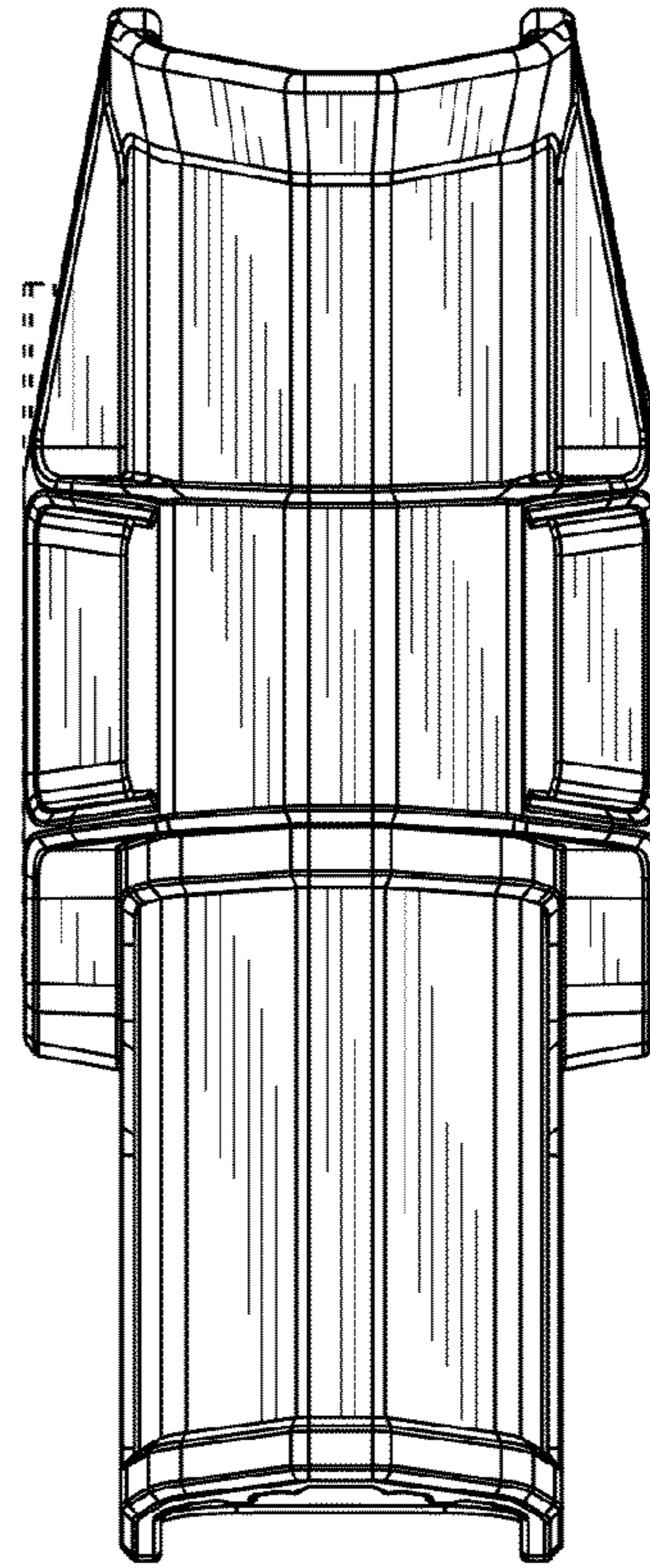


FIG. 31

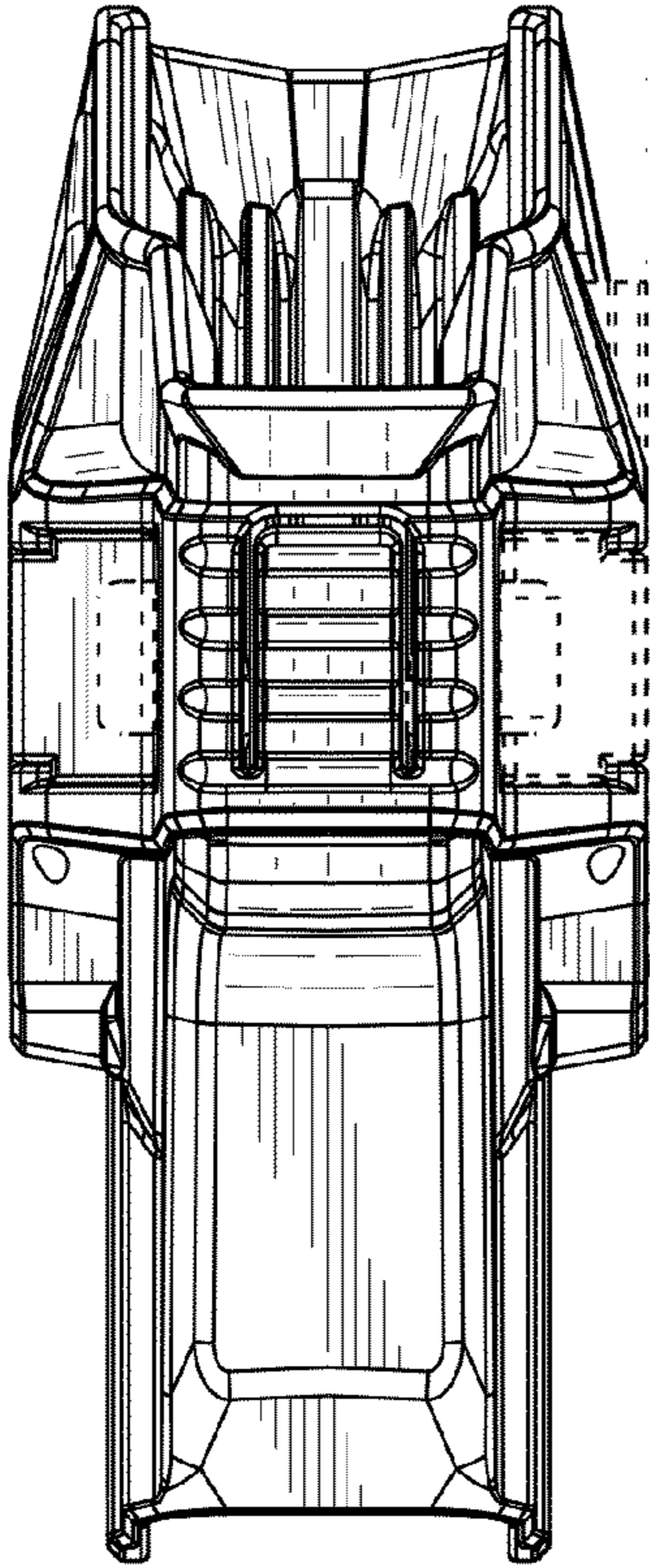


FIG. 32

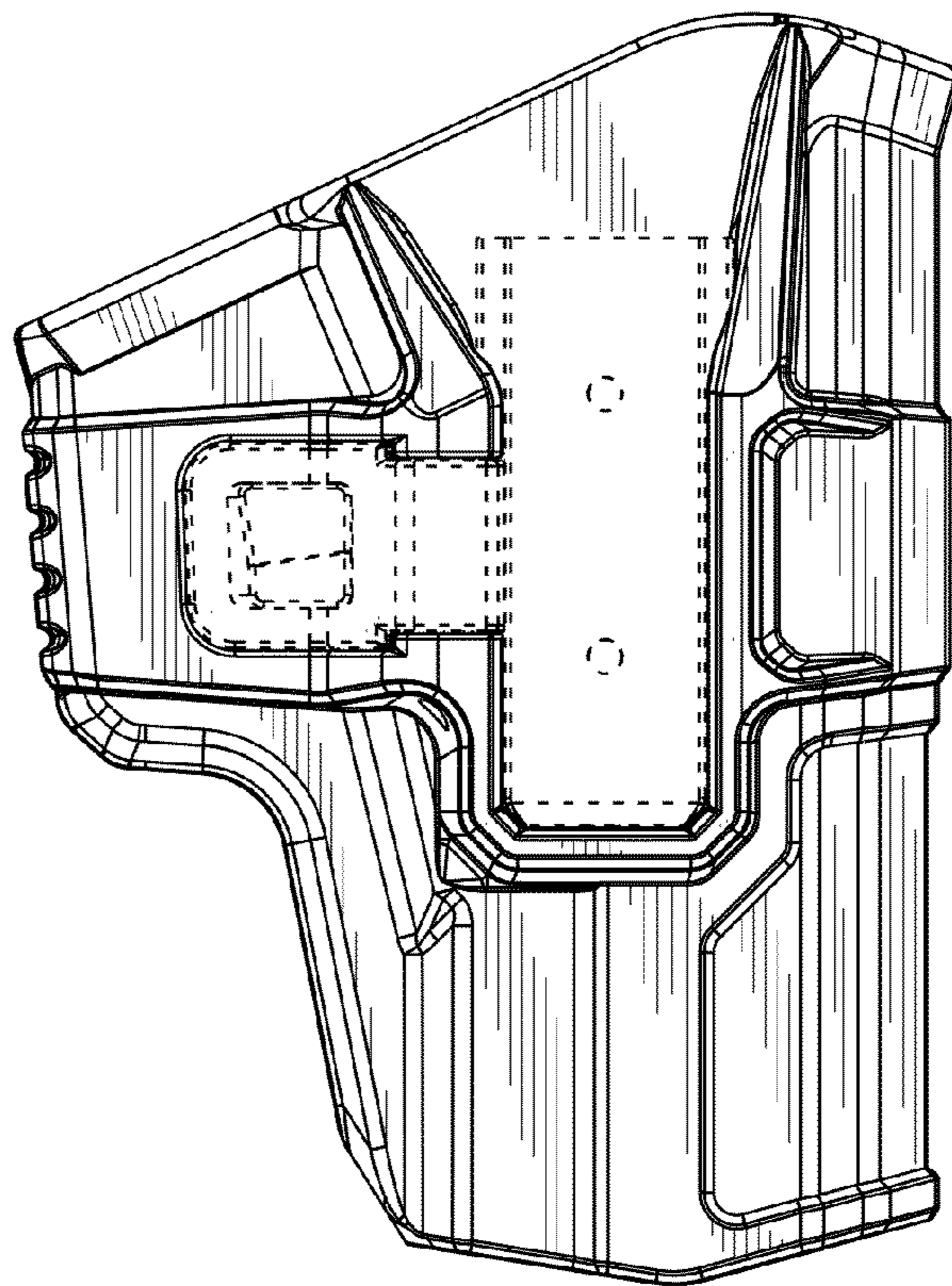


FIG. 33

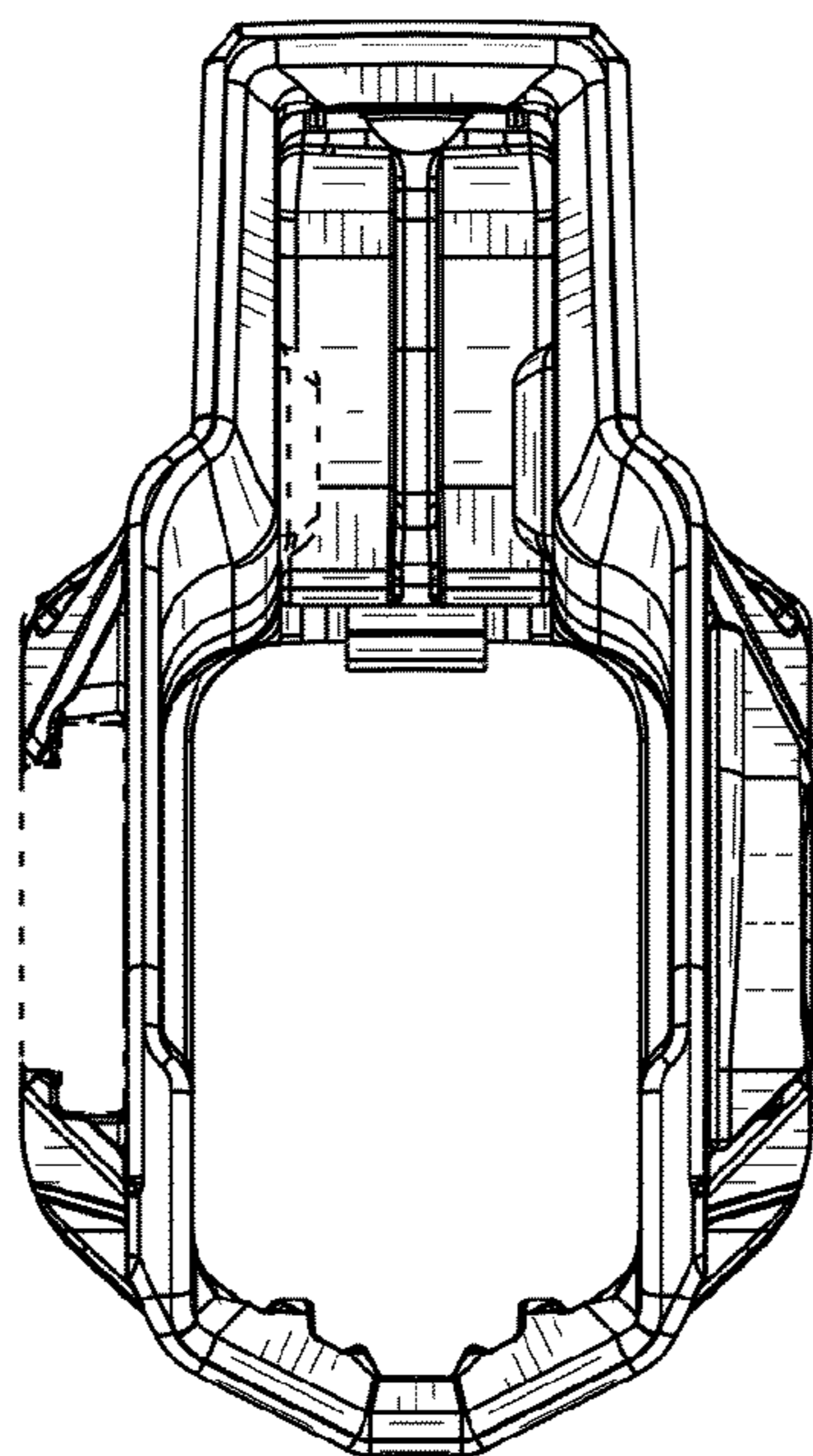


FIG. 34

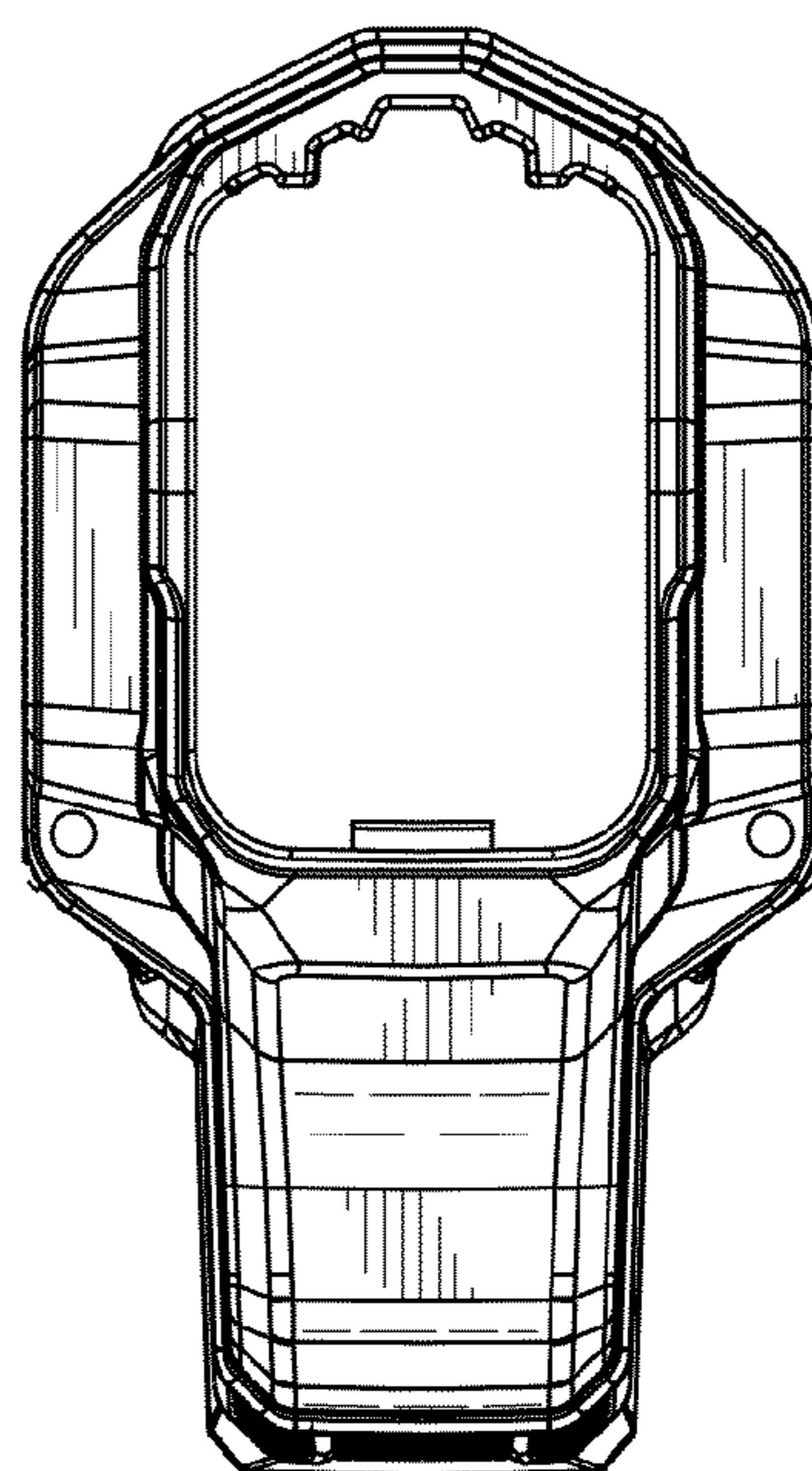


FIG. 35

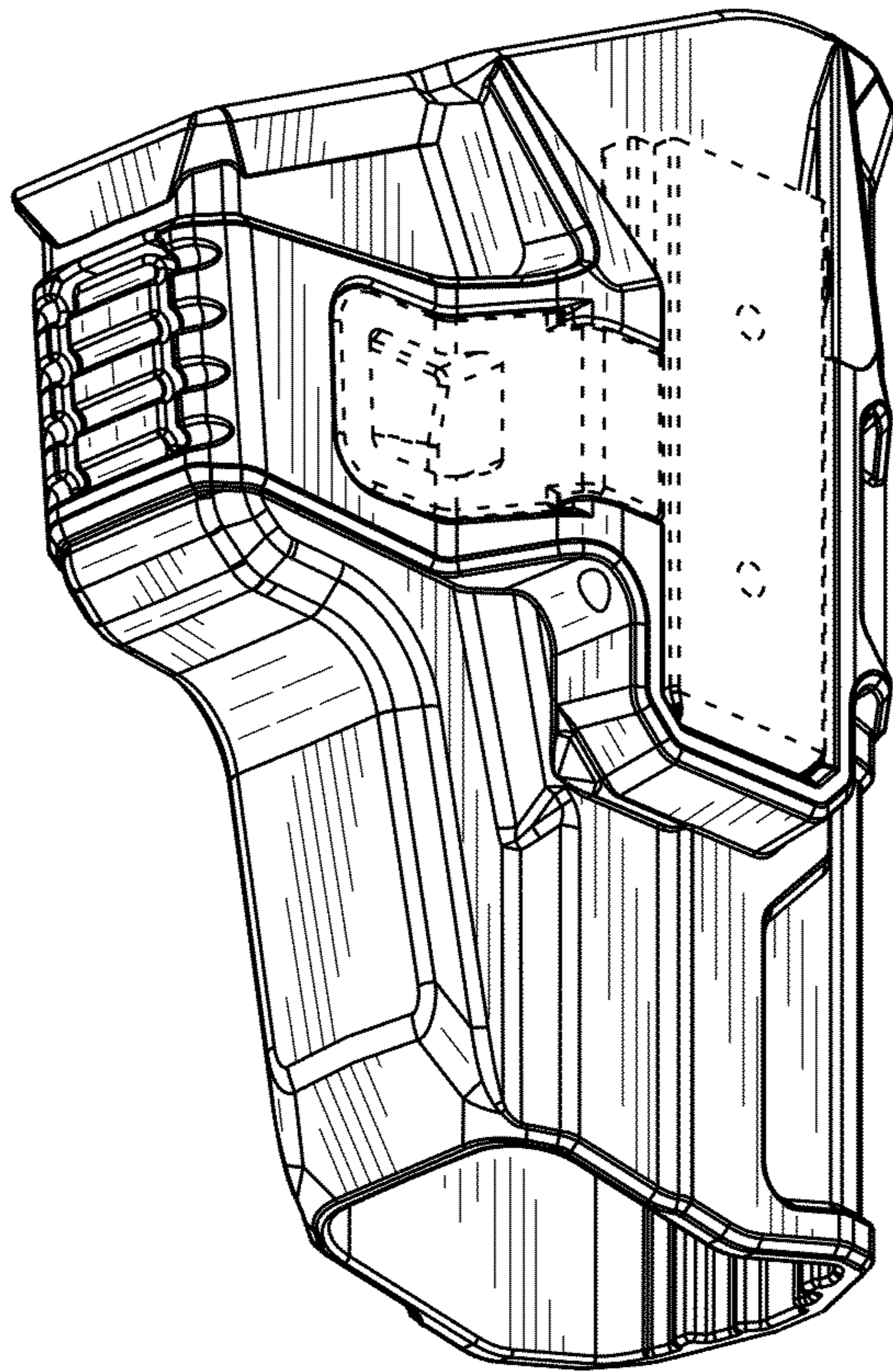


FIG. 36