



US00D740019S

(12) **United States Design Patent**
Hynek

(10) **Patent No.:** **US D740,019 S**

(45) **Date of Patent:** **** Oct. 6, 2015**

(54) **COSMETIC CLUTCH CARRYING CASE**

(71) Applicant: **Nikki Hynek Makeup Artistry, L.L.C.**,
Swisher, IA (US)

(72) Inventor: **Nicole M. Hynek**, Swisher, IA (US)

(73) Assignee: **Nicole Nynek Makeup Artistry, L.L.C.**,
Swisher, IA (US)

(**) Term: **14 Years**

(21) Appl. No.: **29/490,260**

(22) Filed: **May 8, 2014**

(51) **LOC (10) Cl.** **03-02**

(52) **U.S. Cl.**
USPC **D3/205**

(58) **Field of Classification Search**
USPC D3/205, 206, 304, 273, 276, 269, 283,
D3/284, 286, 290, 292-294;
D27/186-191; D28/73
CPC A45C 11/34; A45C 11/008; A45C 11/24;
A45C 13/185; A45C 15/00
See application file for complete search history.

(56) **References Cited**

U.S. PATENT DOCUMENTS

2,143,062	A *	1/1939	Ericson et al.	190/109
D235,622	S *	7/1975	Herring	D3/295
D283,561	S *	4/1986	Geist	D3/296
5,005,697	A	4/1991	Jimbo	
D321,415	S *	11/1991	Chen	D28/80
5,135,012	A	8/1992	Kamen	
D363,509	S *	10/1995	Parekh et al.	D19/75
D396,750	S *	8/1998	Slater et al.	D3/295
D404,532	S *	1/1999	Castagna	D28/77
6,109,442	A *	8/2000	Roegner	206/581
D455,005	S *	4/2002	Wolf	D3/205
D548,969	S *	8/2007	Bramley	D3/294

D562,545	S *	2/2008	Dawson	D3/203.1
D565,842	S *	4/2008	Falcone	D3/294
D592,398	S *	5/2009	Roesler	D3/294
D592,399	S *	5/2009	Sage	D3/295
D632,079	S *	2/2011	Spencer et al.	D3/301
D642,743	S	8/2011	Shteytsel	
D651,350	S	12/2011	Paquet	
D676,239	S *	2/2013	Benoit et al.	D3/294
D685,178	S *	7/2013	Lv	D3/206
D710,607	S *	8/2014	Kim	D3/269
D720,526	S *	1/2015	Lopez-Stout	D3/205
D723,804	S *	3/2015	Coleman	D3/301
2011/0253167	A1	10/2011	Shteytsel	
2013/0133686	A1	5/2013	Shteytsel	

* cited by examiner

Primary Examiner — Ian Simmons

Assistant Examiner — Charles Hanson

(74) *Attorney, Agent, or Firm* — Ryan N. Carter

(57) **CLAIM**

The ornamental design for a cosmetic clutch carrying case, as shown and described.

DESCRIPTION

FIG. 1 is a perspective view of the device in its closed position;

FIG. 2 is a side view of the device in its closed position;

FIG. 3 is an end view of the device in its closed position;

FIG. 4 is a top view of the device in its closed position;

FIG. 5 is a bottom view of the device in its closed position;

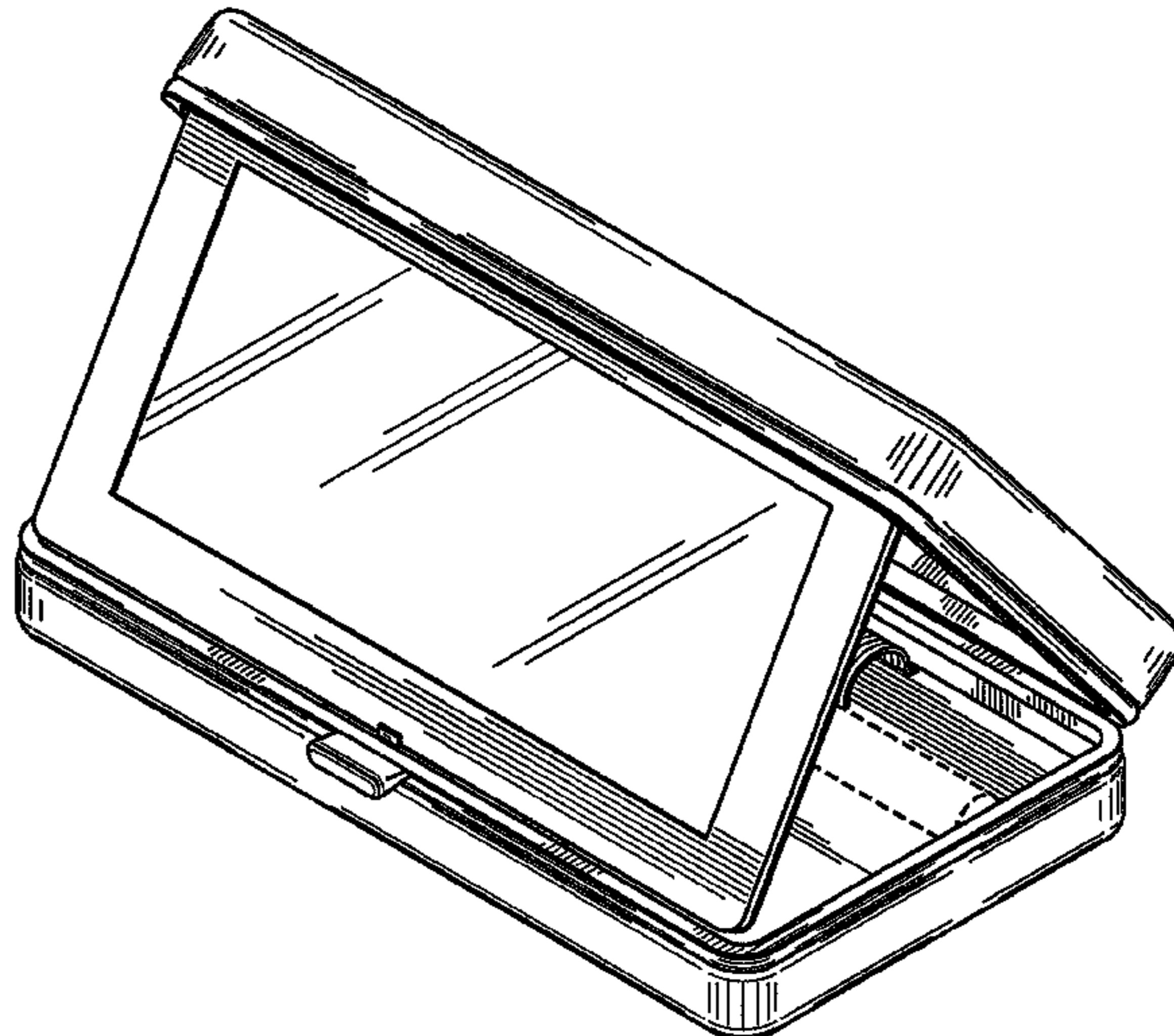
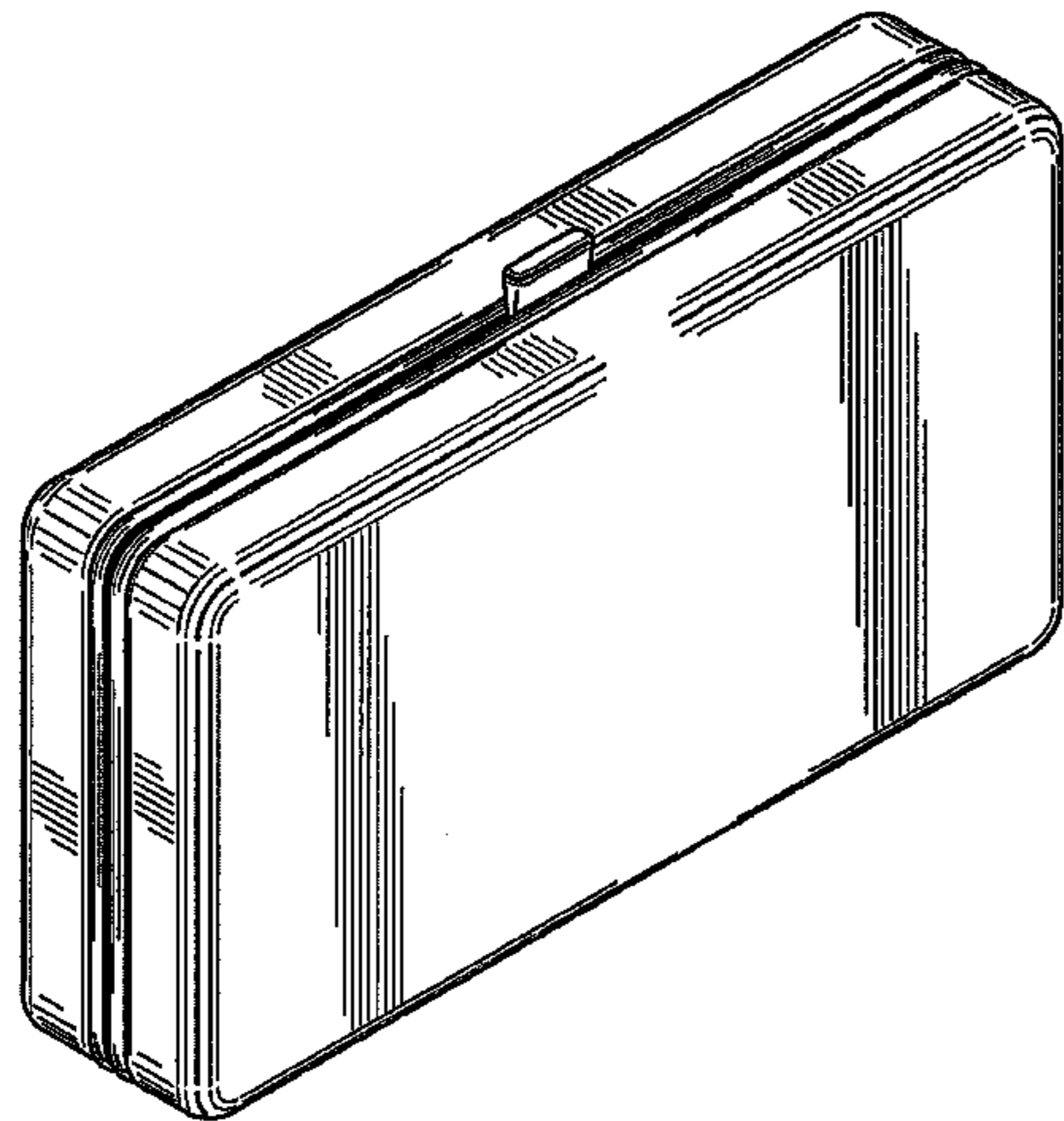
FIG. 6 is a perspective view of the device in its open position;

FIG. 7 is a top view of the device in its open position with the mirror in a first position; and,

FIG. 8 is a top view of the device in its open position with the mirror in a second position.

The broken line showing of the items in the case is included for the purpose of illustrating environment and forms no part of the claimed design.

1 Claim, 5 Drawing Sheets



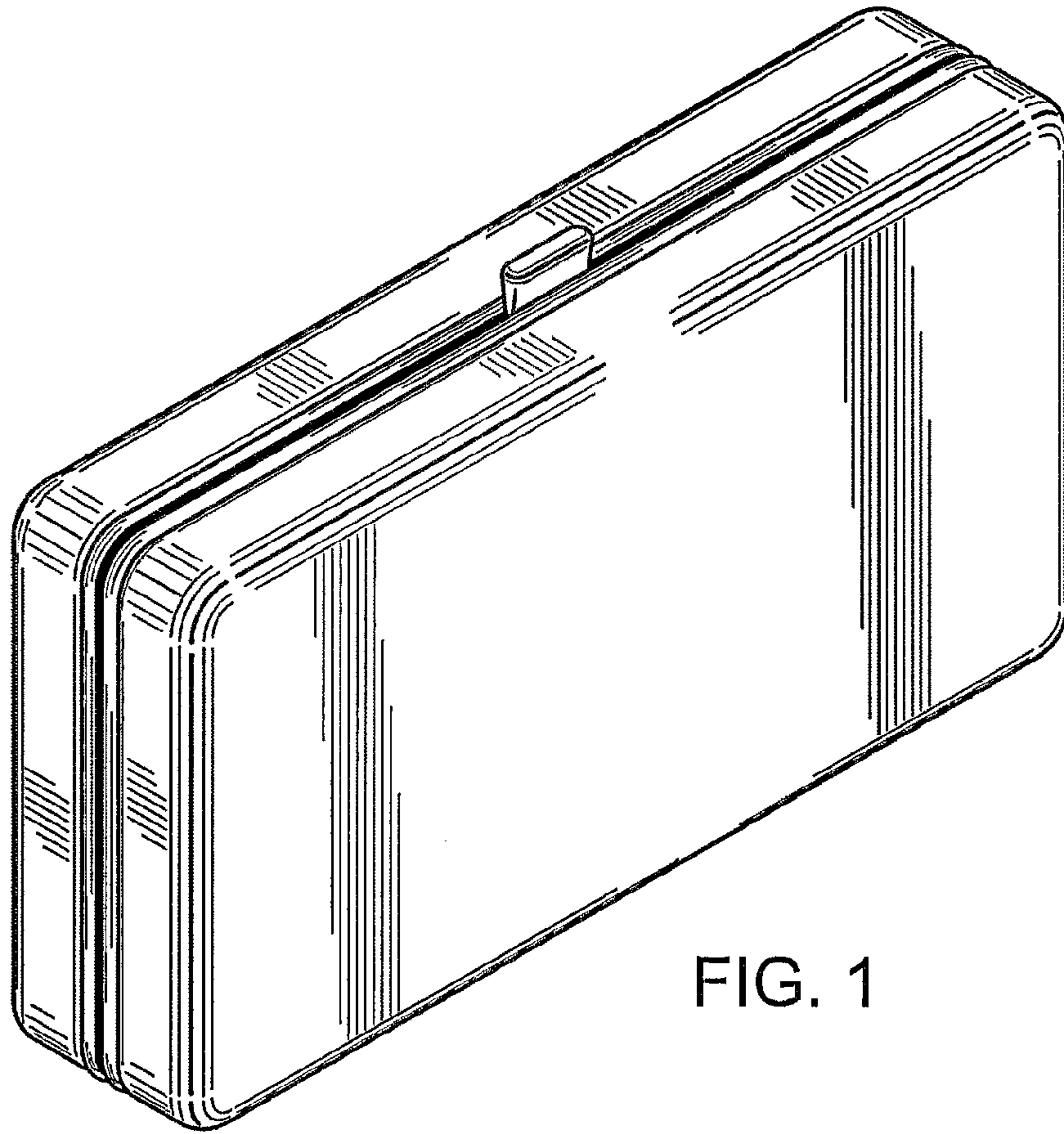


FIG. 1

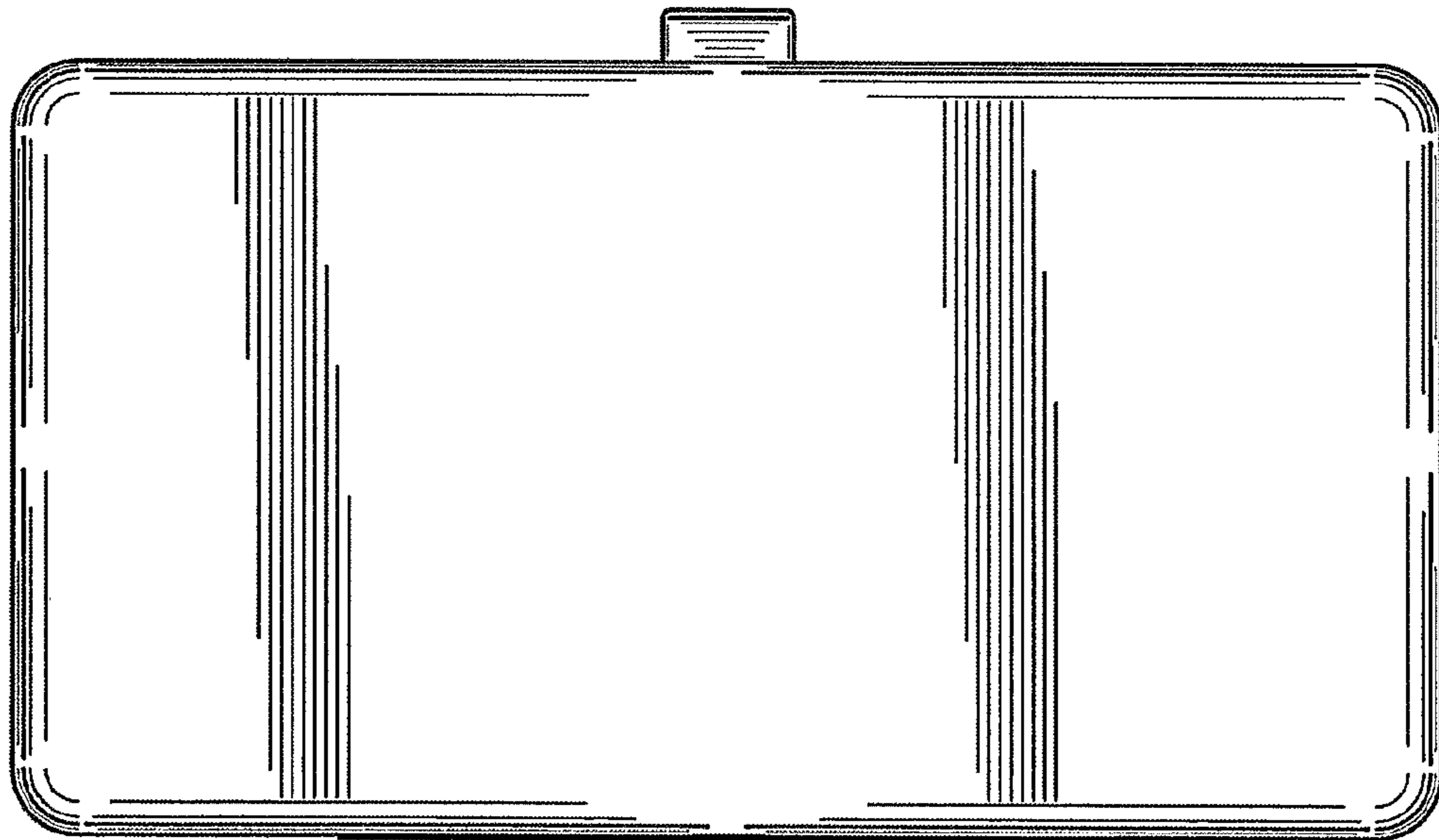


FIG. 2

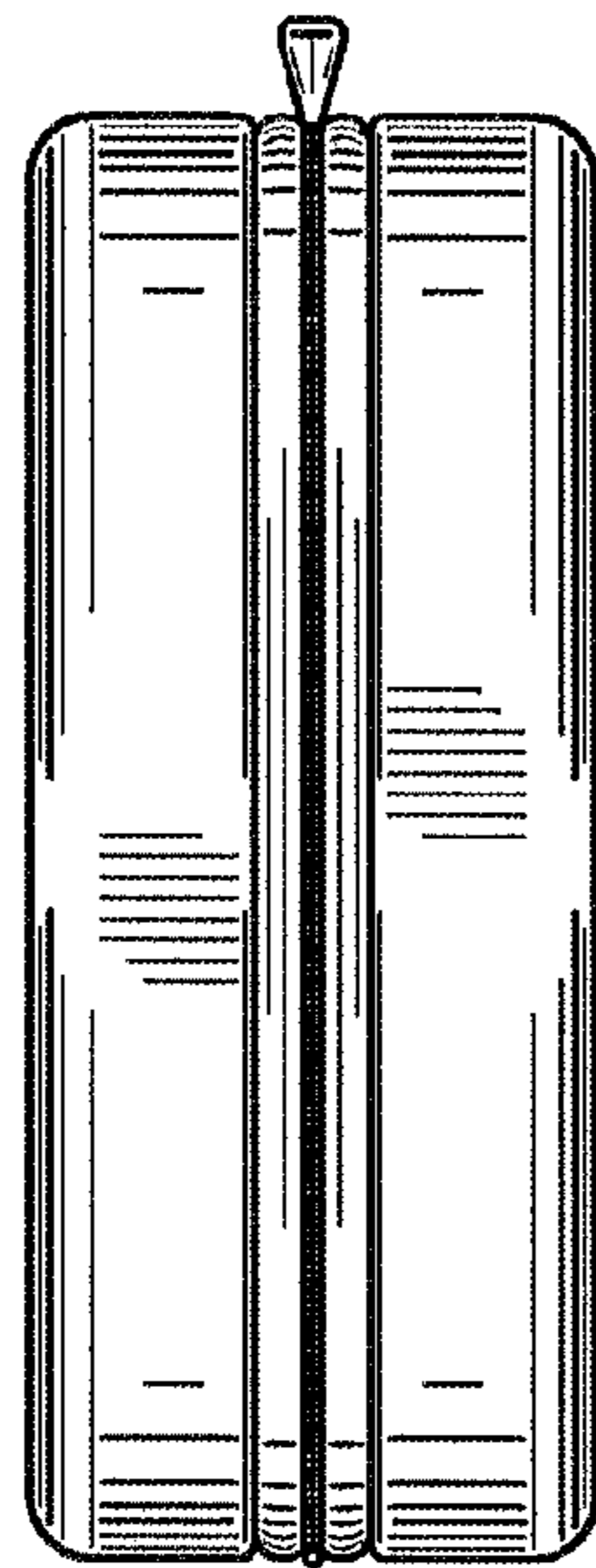


FIG. 3

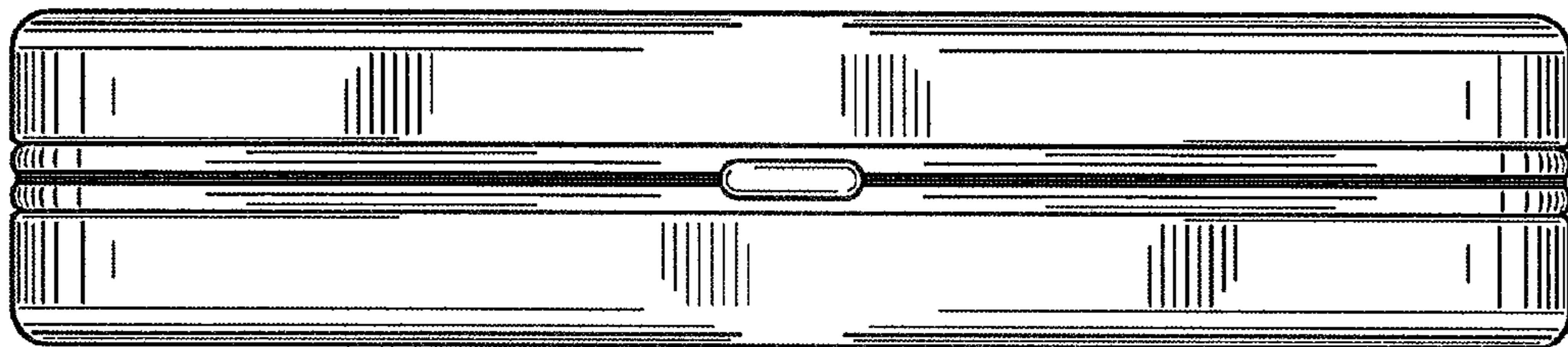


FIG. 4

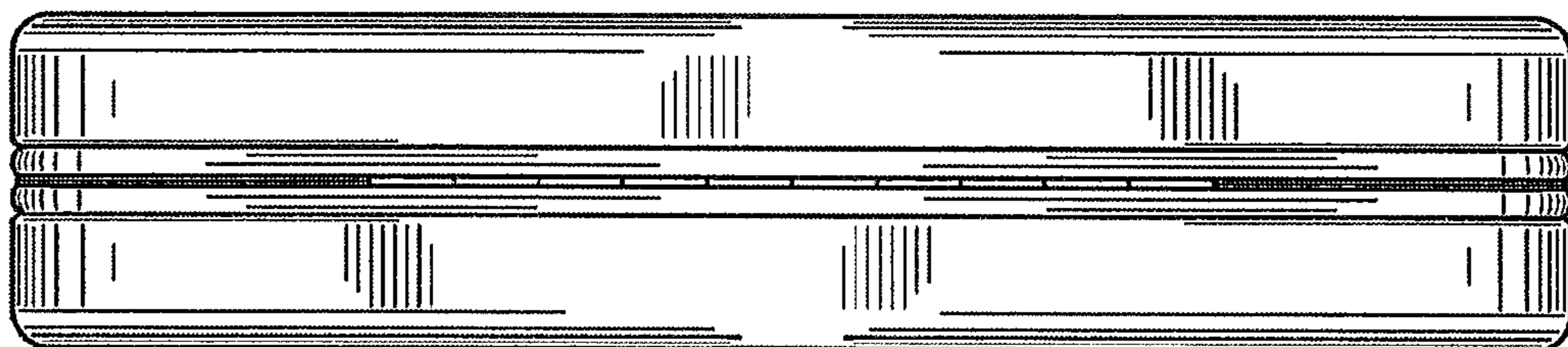


FIG. 5

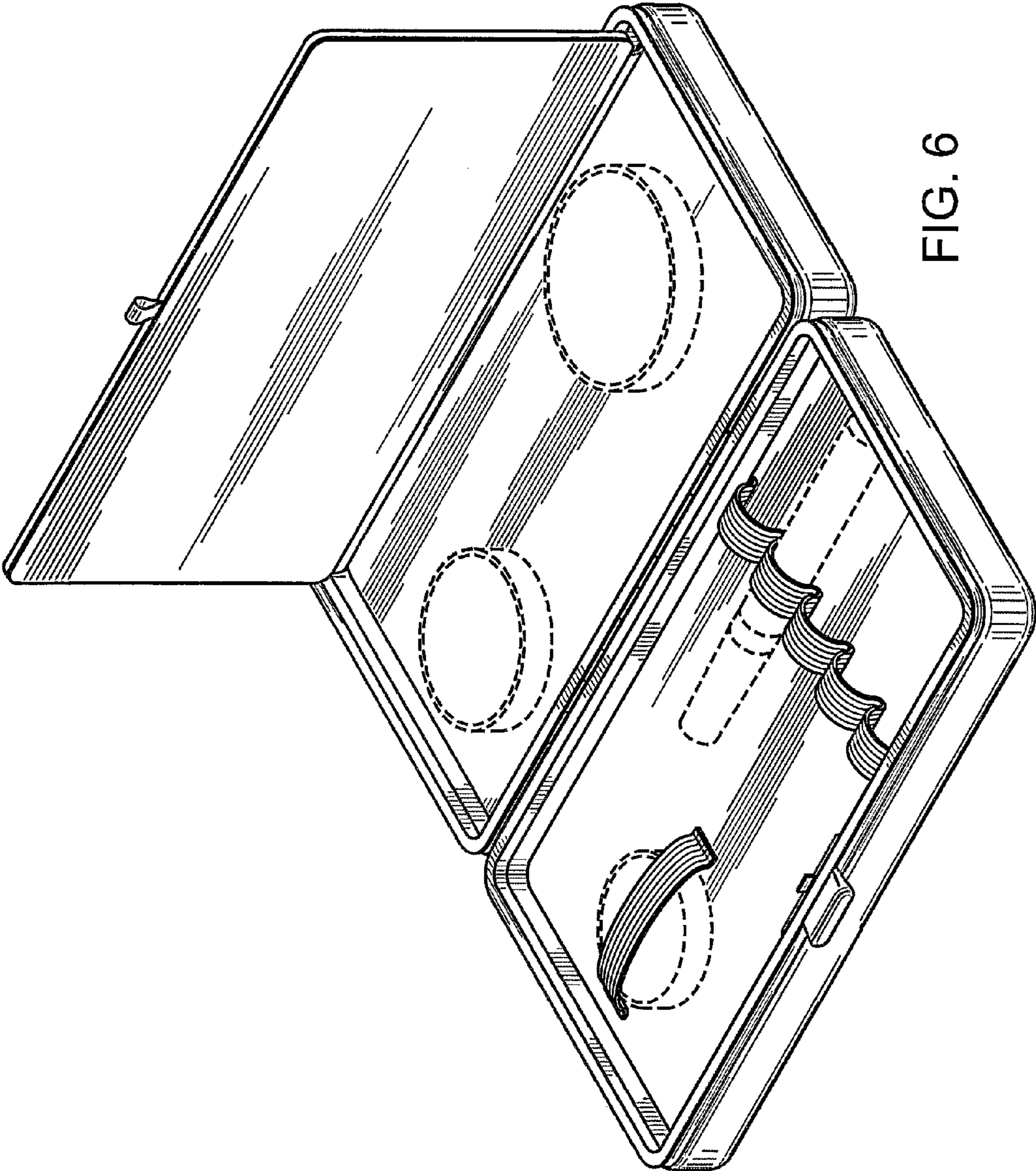


FIG. 6

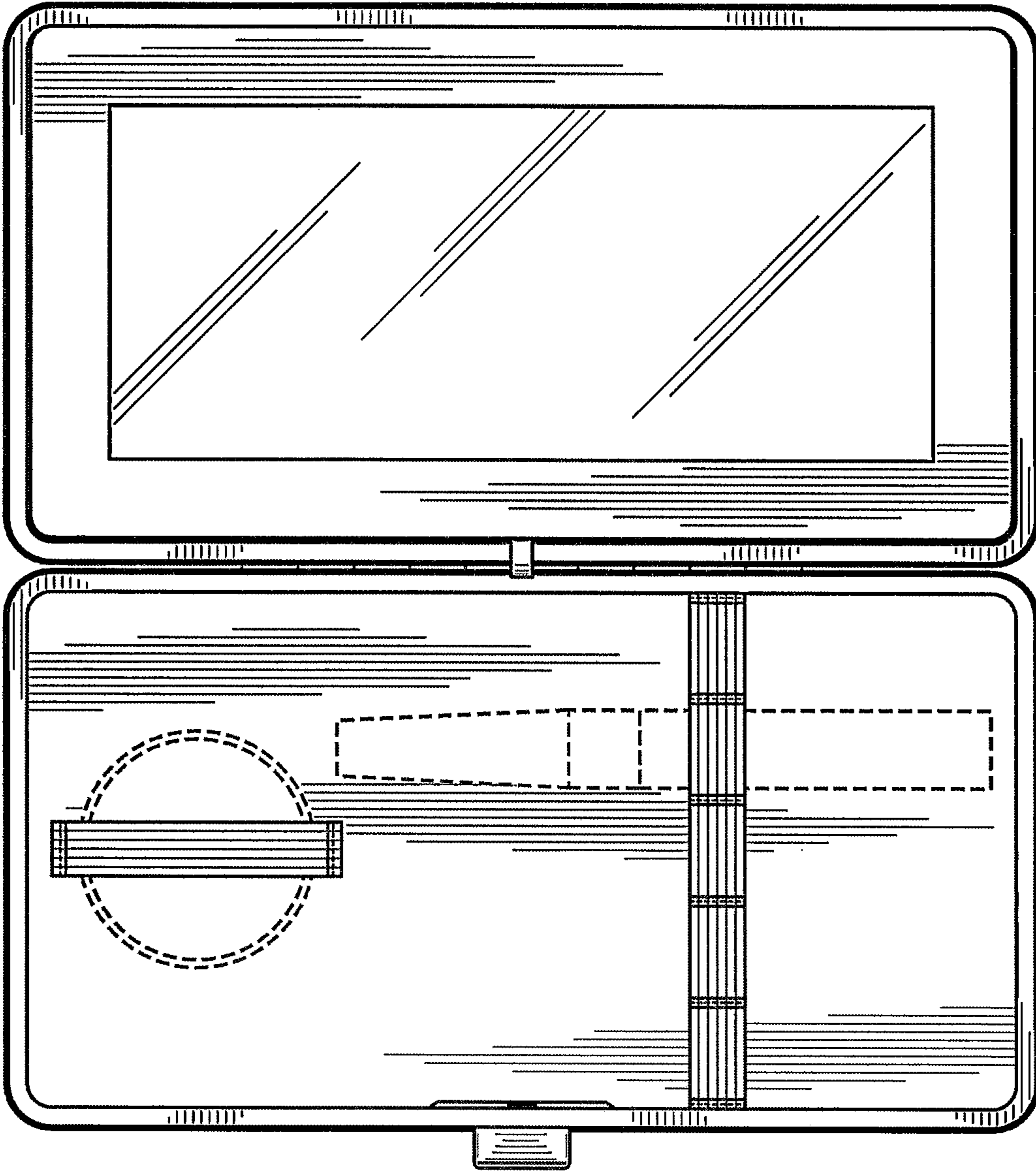


FIG. 7

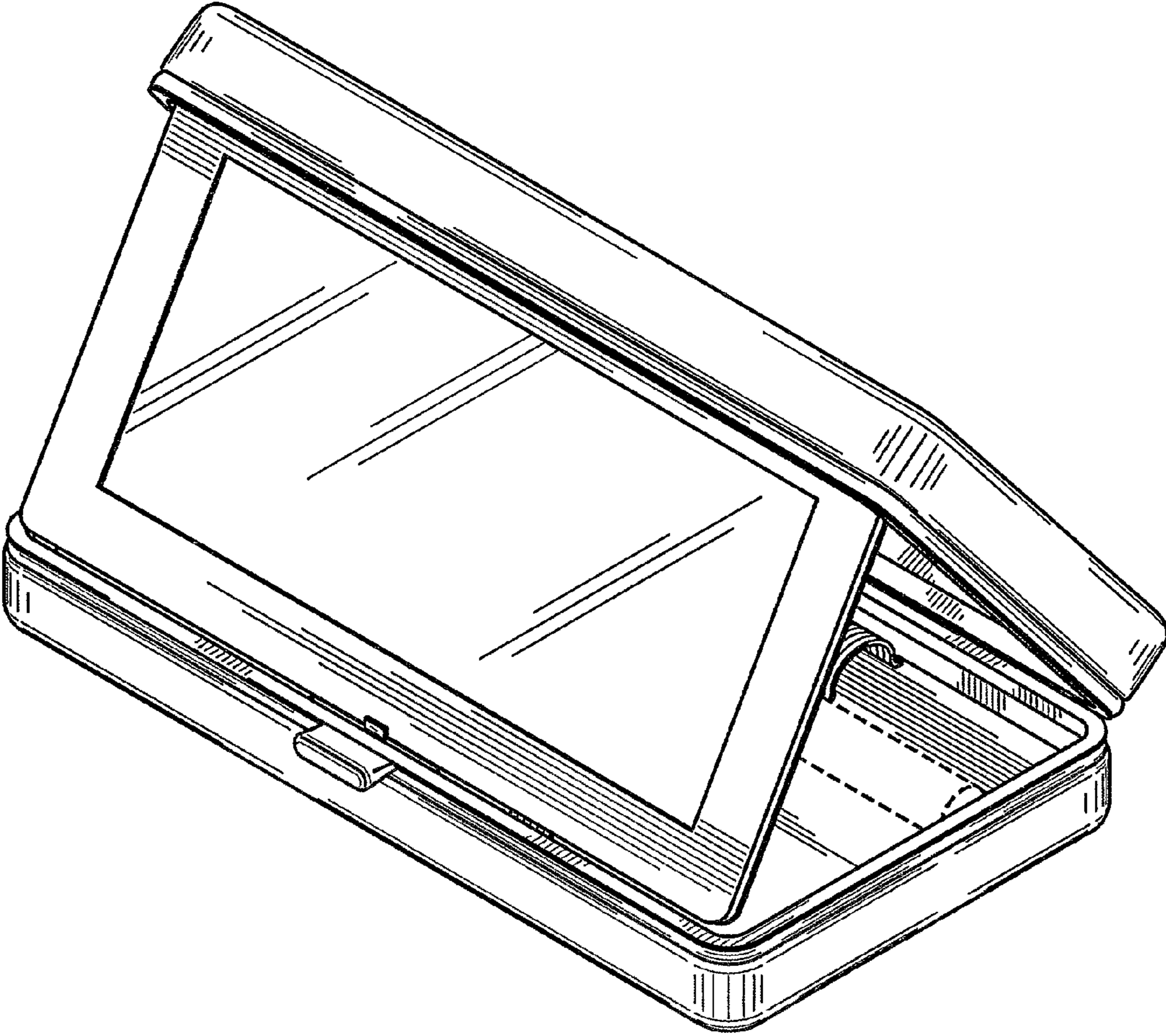


FIG. 8