



US00D740018S

(12) **United States Design Patent**
Zhang et al.

(10) **Patent No.:** **US D740,018 S**
(45) **Date of Patent:** **** Oct. 6, 2015**

- (54) **SOFT CARRY CASE**
- (71) Applicant: **R.J. Reynolds Tobacco Company**,
Winston-Salem, NC (US)
- (72) Inventors: **Ben Zhang**, Shanghai (CN); **James Zhang**, Shanghai (CN); **Michael J. Bozymski**, Winston-Salem, NC (US); **Samuel Tip Wood**, King, NC (US)
- (73) Assignee: **R.J. Reynolds Tobacco Company**,
Winston-Salem, NC (US)
- (**) Term: **14 Years**
- (21) Appl. No.: **29/484,809**
- (22) Filed: **Mar. 13, 2014**
- (51) **LOC (10) Cl.** **03-01**
- (52) **U.S. Cl.**
USPC **D3/201; D3/203.5; D3/265**
- (58) **Field of Classification Search**
USPC **D3/201, 203.1, 203.5, 205-206, 219, D3/263-265, 268, 289, 294, 301, 303; 206/5, 581; 248/902; 224/908**
See application file for complete search history.

- D529,288 S 10/2006 Ham
- D548,969 S 8/2007 Bramley
- D566,395 S 4/2008 Langer et al.
- D624,304 S 9/2010 Danze et al.
- D675,434 S 2/2013 Vernall et al.
- D686,817 S 7/2013 Dennis
- D703,944 S * 5/2014 Marks D3/203.5

* cited by examiner

Primary Examiner — Catheri Oliver-Garcia

(74) *Attorney, Agent, or Firm* — Womble Carlyle Sandridge & Rice, LLP

(57) **CLAIM**

The ornamental design for a soft carry case, as shown and described.

DESCRIPTION

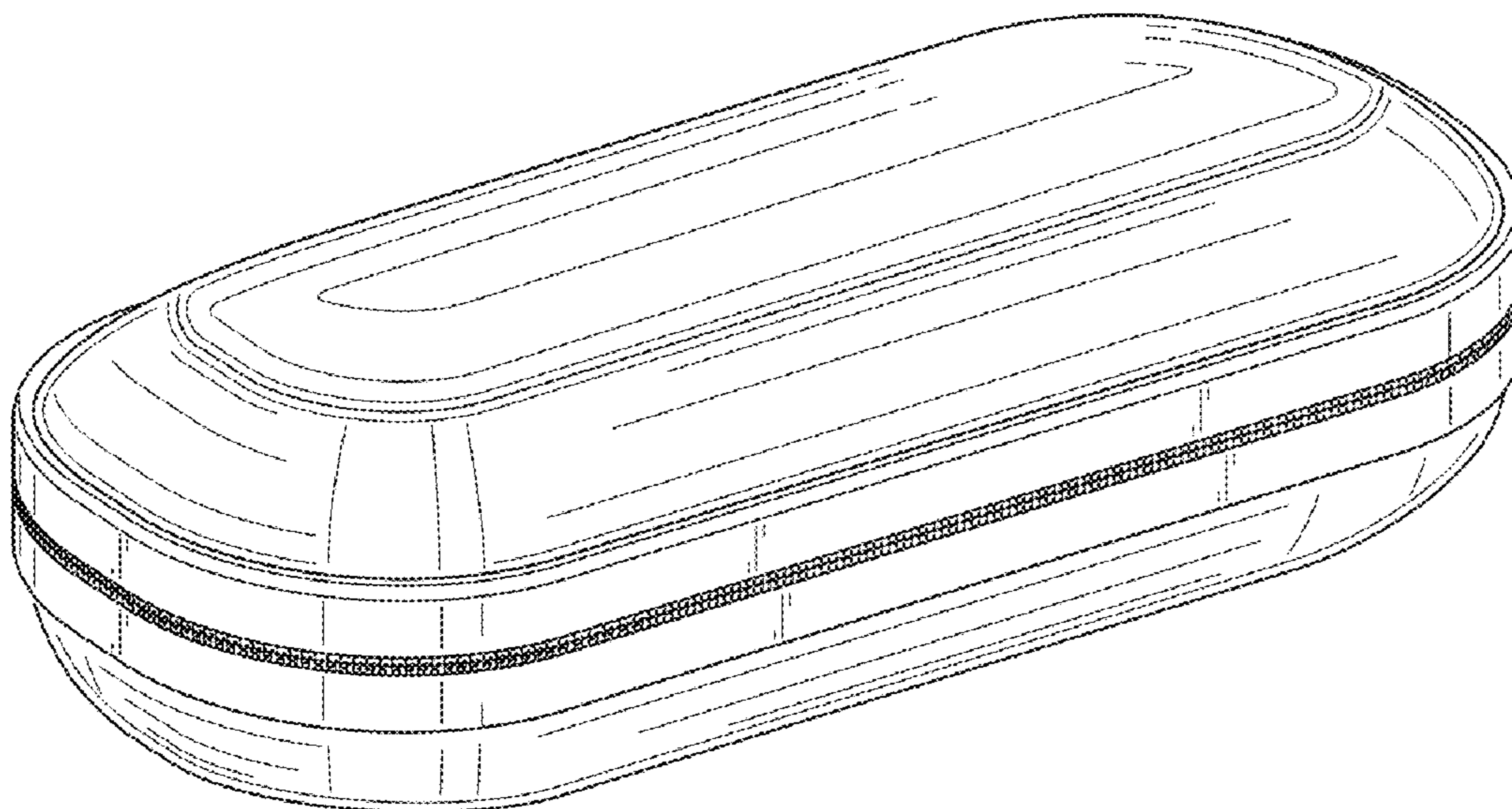
FIG. 1 is a top, front perspective view of the design;
 FIG. 2 is a bottom, rear perspective view thereof;
 FIG. 3 is a front view thereof;
 FIG. 4 is a rear view thereof;
 FIG. 5 is a top view thereof;
 FIG. 6 is a bottom view thereof;
 FIG. 7 is an end view thereof;
 FIG. 8 is an opposing end view thereof;
 FIG. 9 is an open, perspective view of the interior thereof;
 FIG. 10 is an open, perspective view of the exterior thereof;
 FIG. 11 is an open, side view thereof;
 FIG. 12 is an opposing open, side view thereof;
 FIG. 13 is an open, plan view of the interior thereof;
 FIG. 14 is an open, plan view of the exterior thereof;
 FIG. 15 is an open, end view thereof; and,
 FIG. 16 is an opposing open, end view thereof.
 The broken lines shown herein depict environmental subject matter only and form no part of the claimed design.

1 Claim, 10 Drawing Sheets

(56) **References Cited**

U.S. PATENT DOCUMENTS

- D49,217 S * 6/1916 King D3/265
- D422,139 S * 4/2000 Meikle D3/268
- D430,393 S * 9/2000 Conway D3/203.3
- D431,902 S 10/2000 Mellin
- D451,674 S * 12/2001 Leins D3/301
- D462,512 S * 9/2002 Wolf D3/205
- D527,182 S 8/2006 Ham



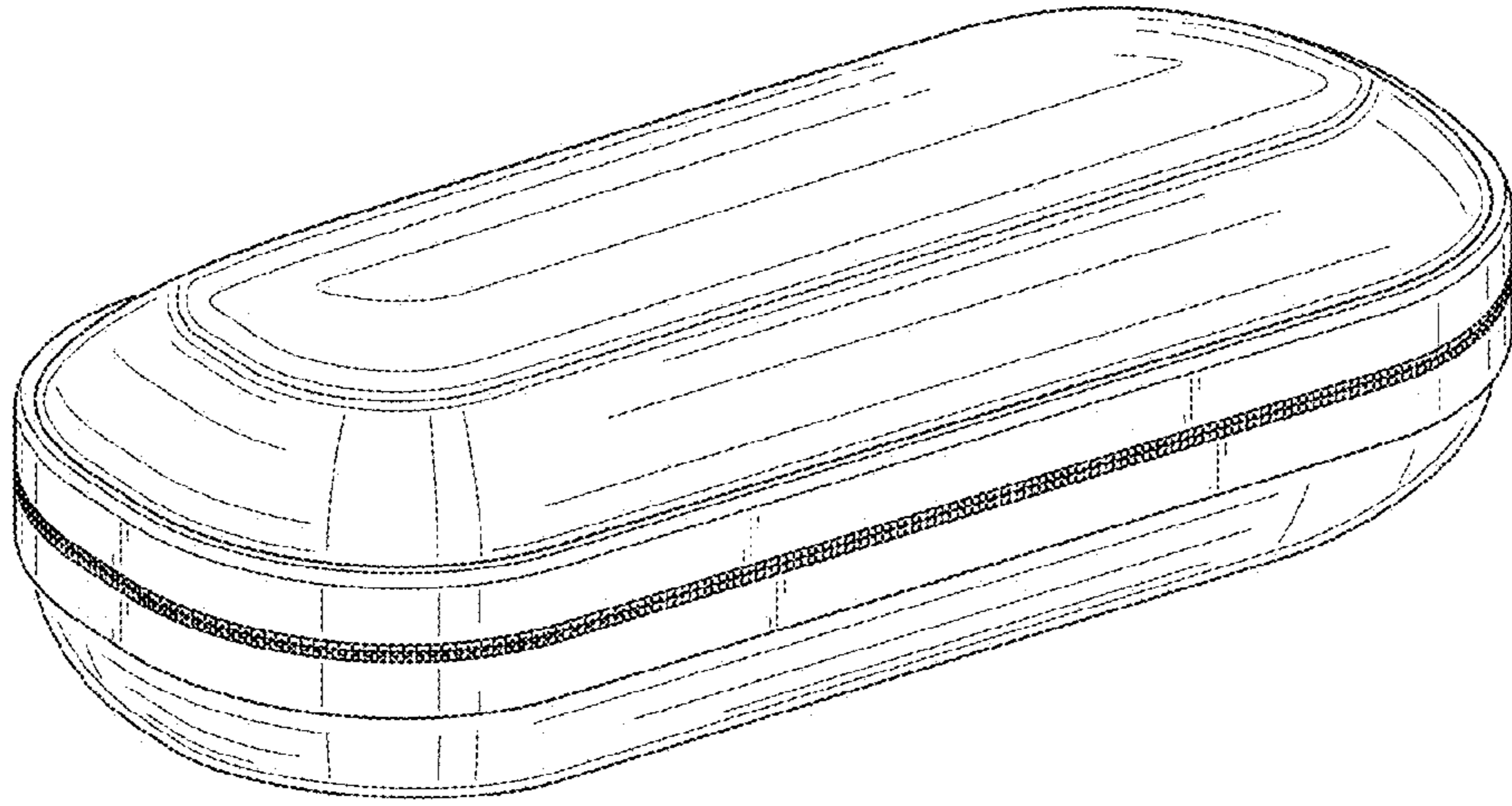


FIG. 1

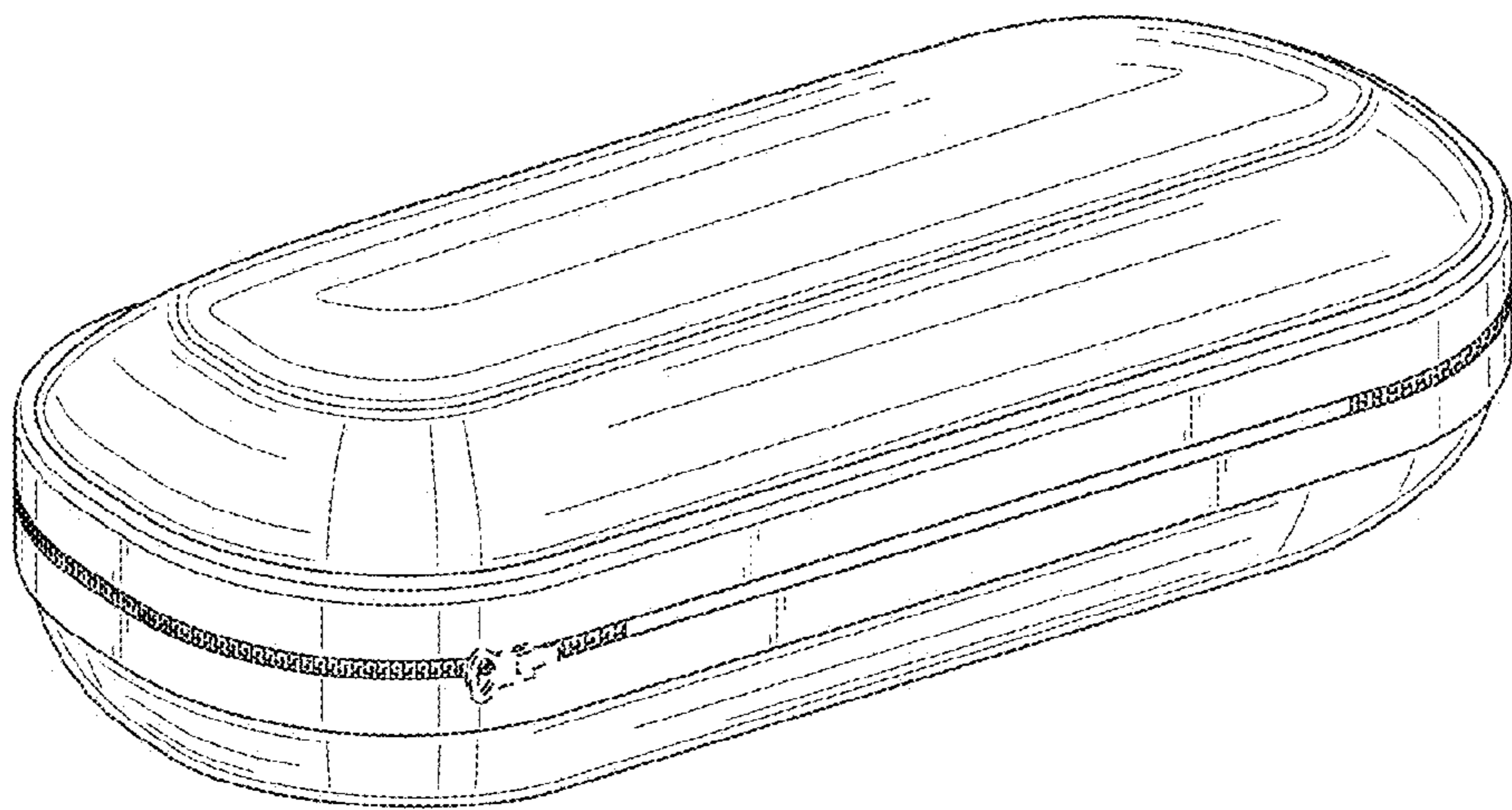


FIG. 2

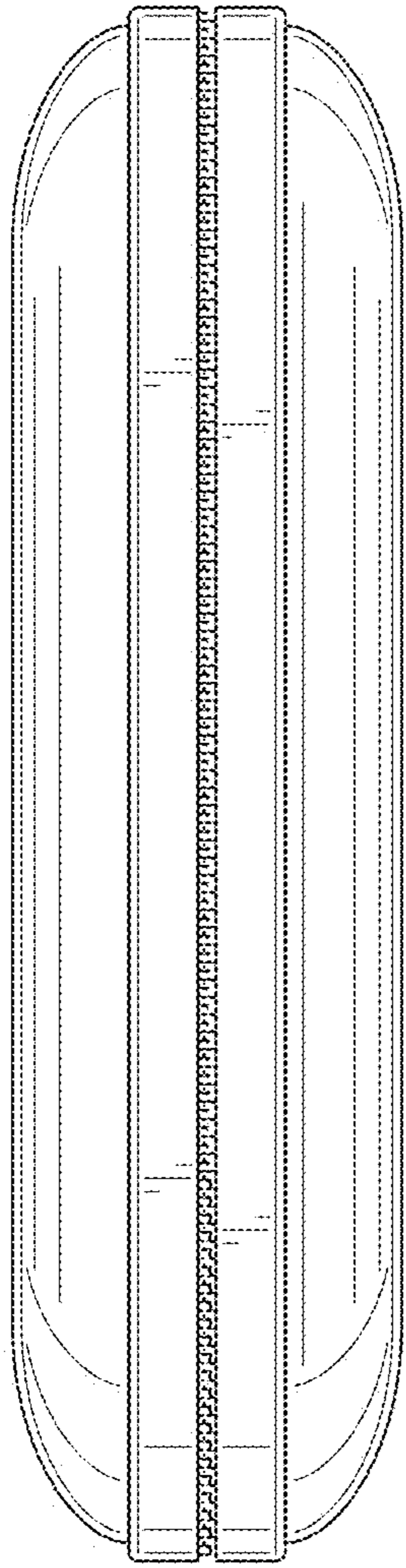


FIG. 3

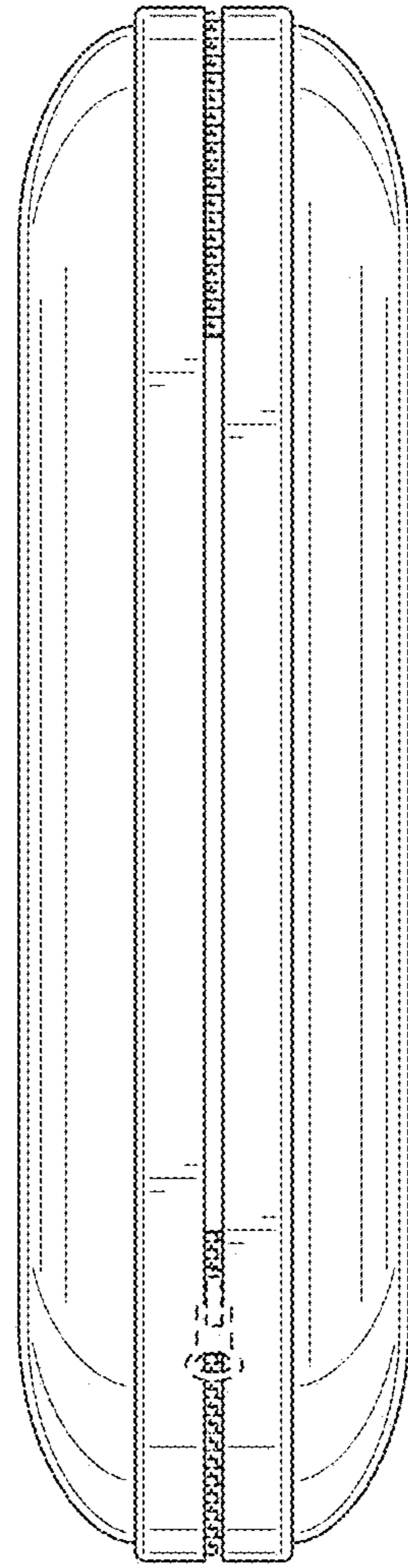


FIG. 4

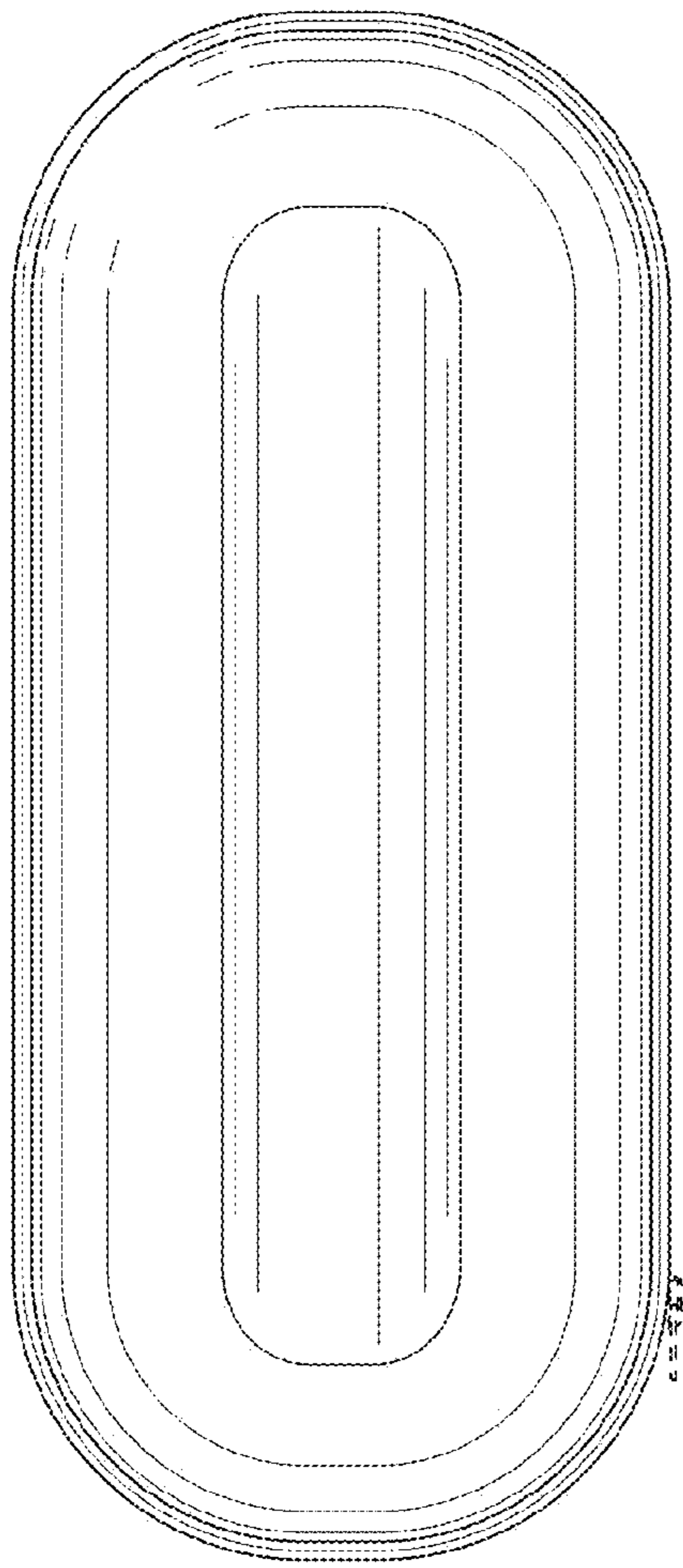


FIG. 5

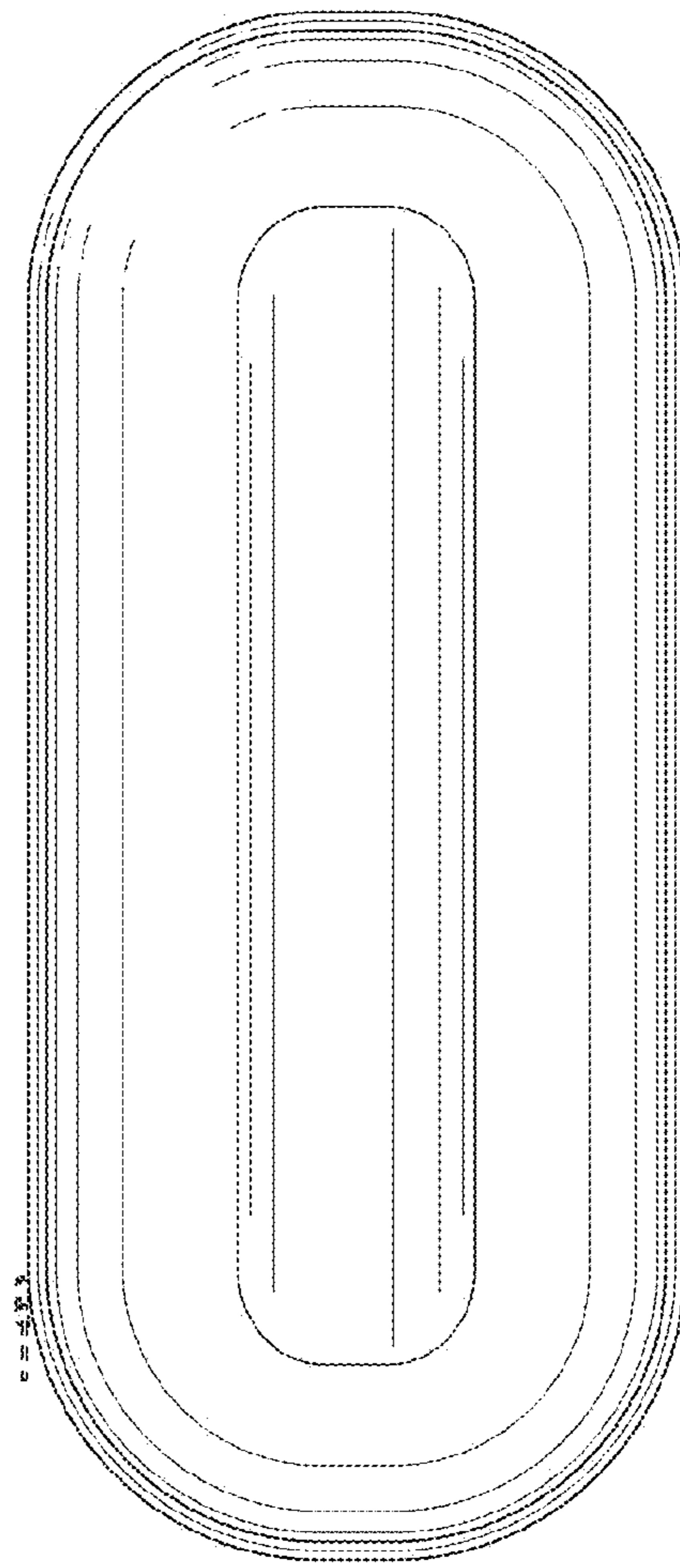


FIG. 6

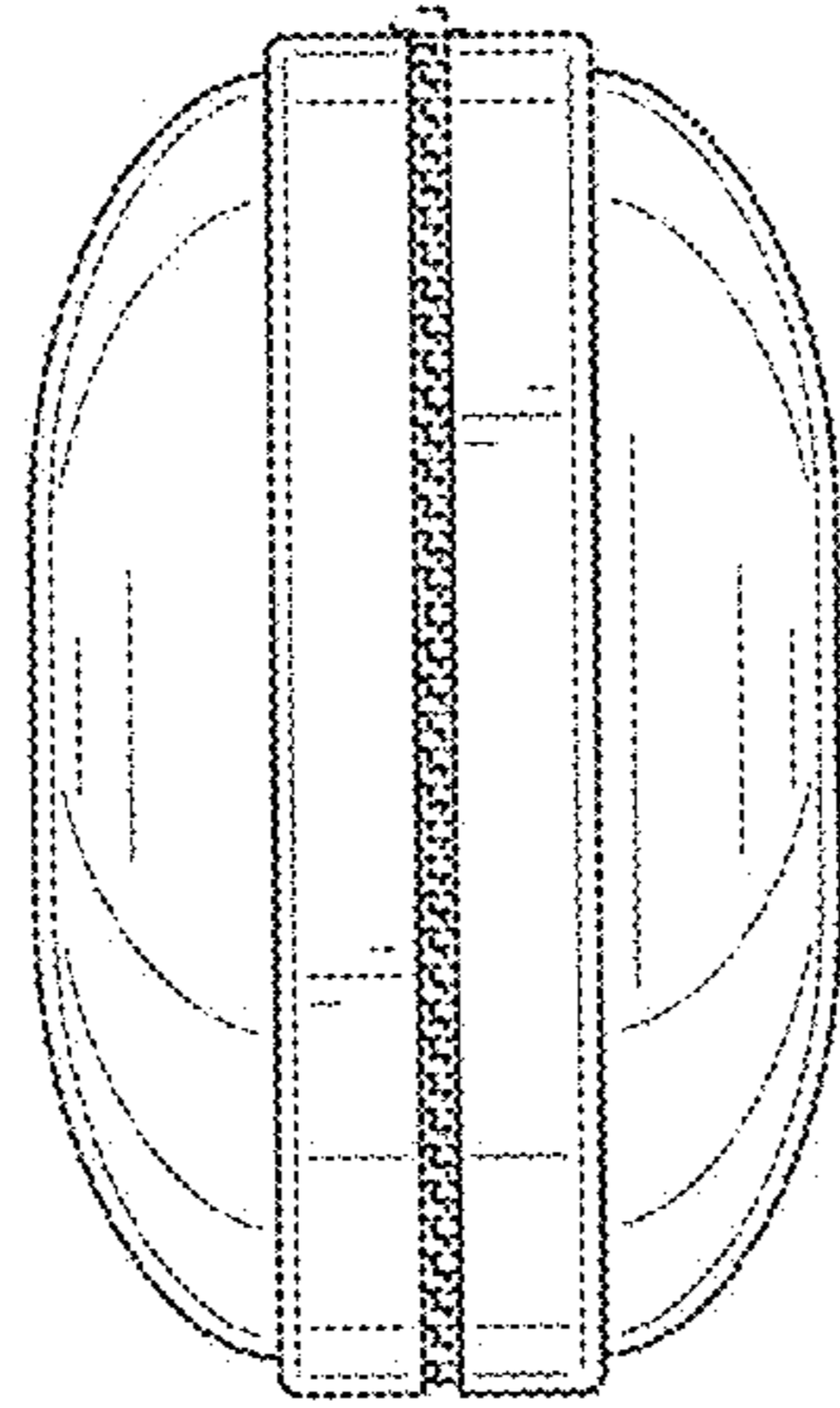


FIG. 7

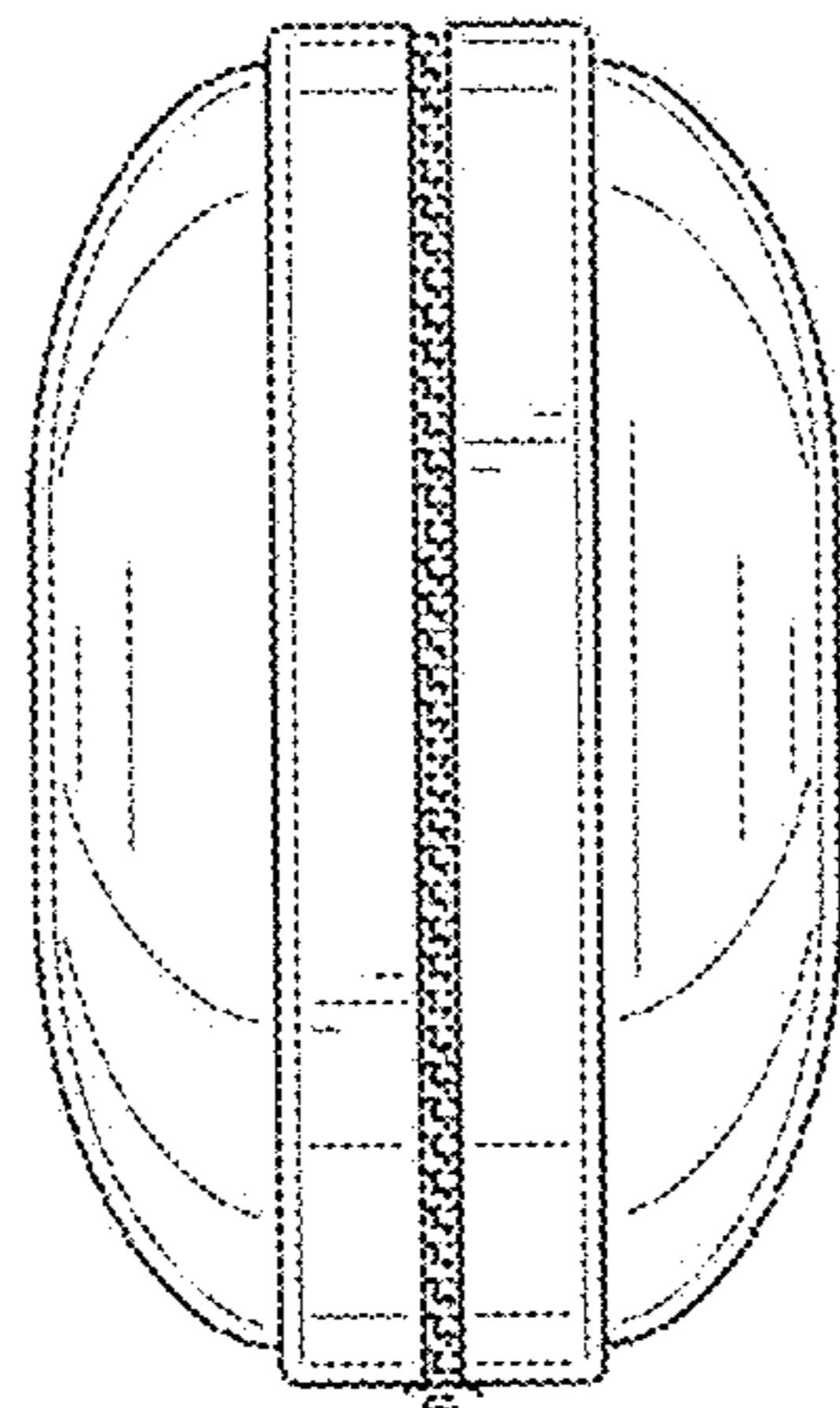


FIG. 8

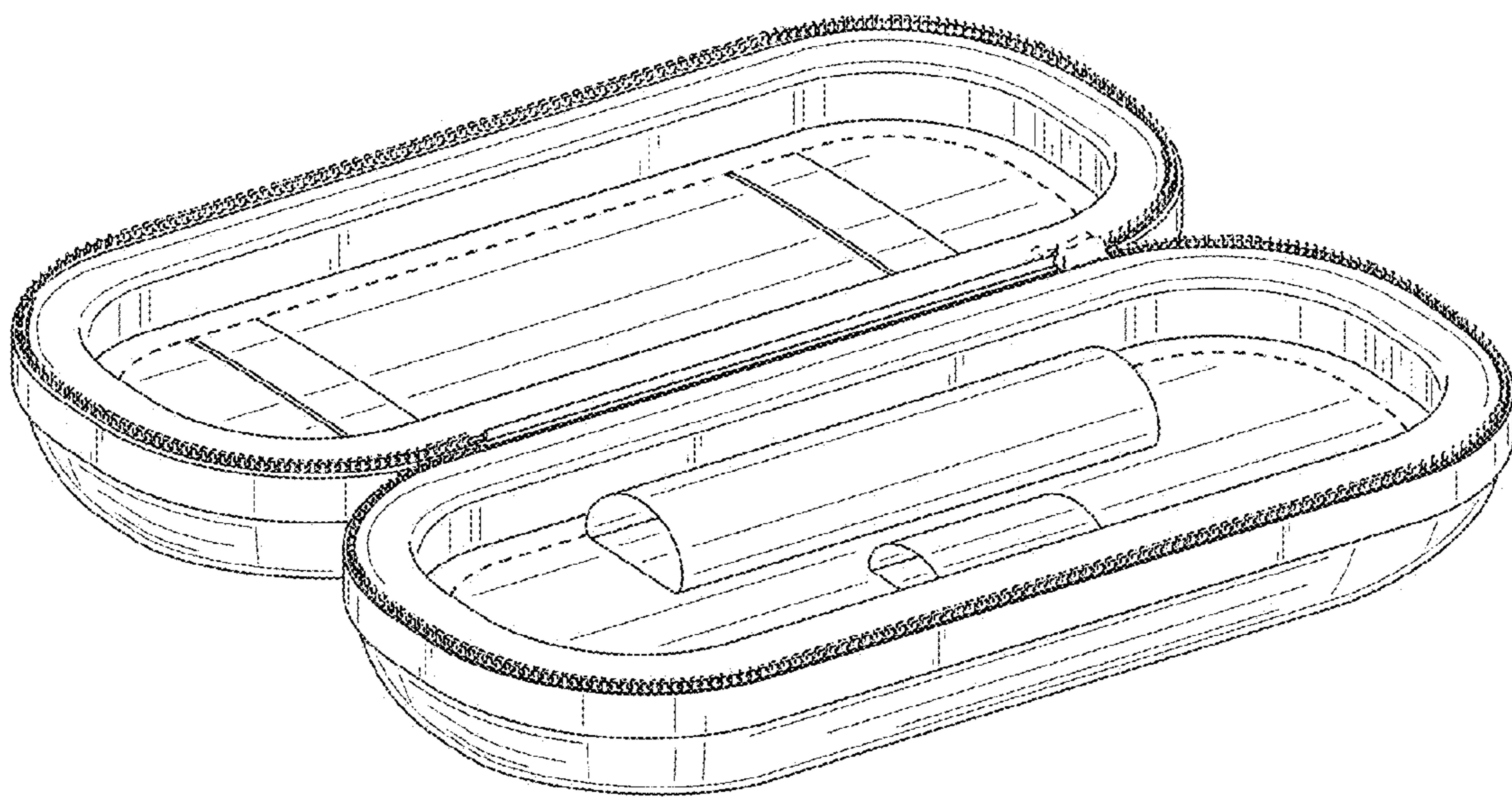


FIG. 9

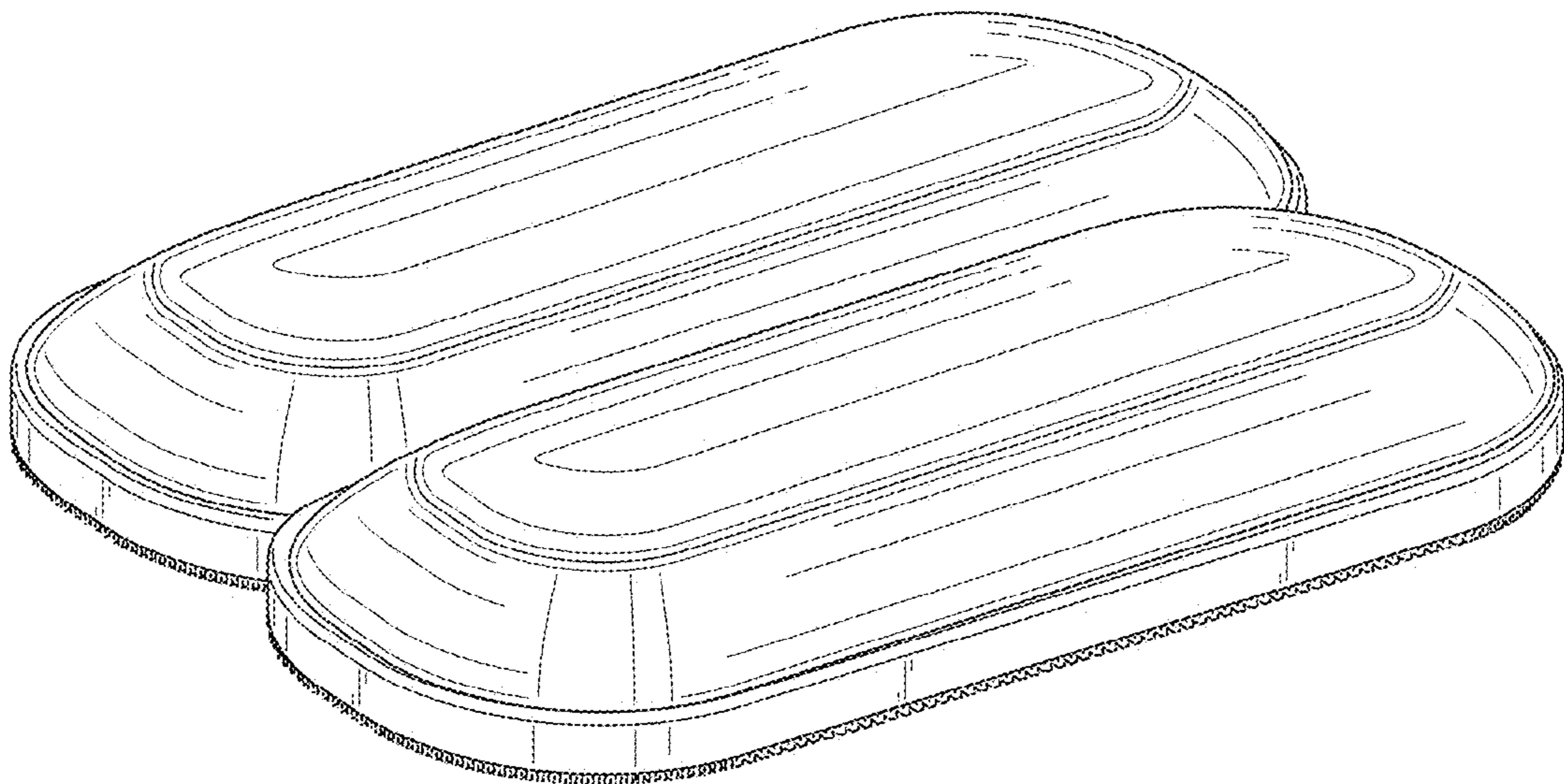


FIG. 10

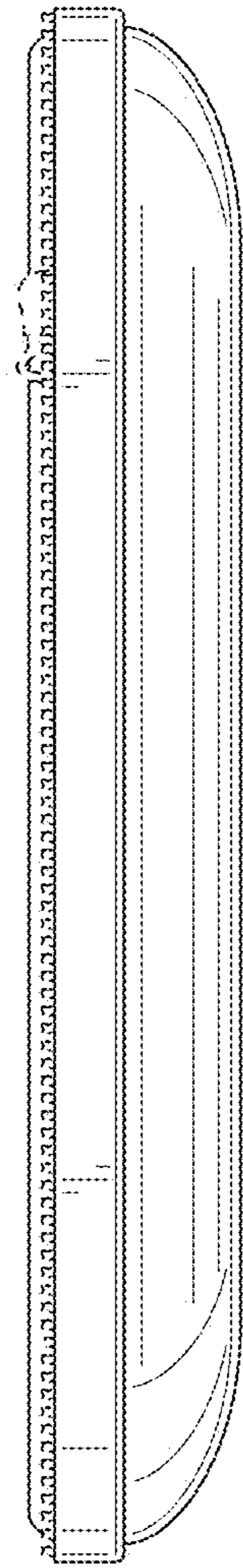


FIG. 11

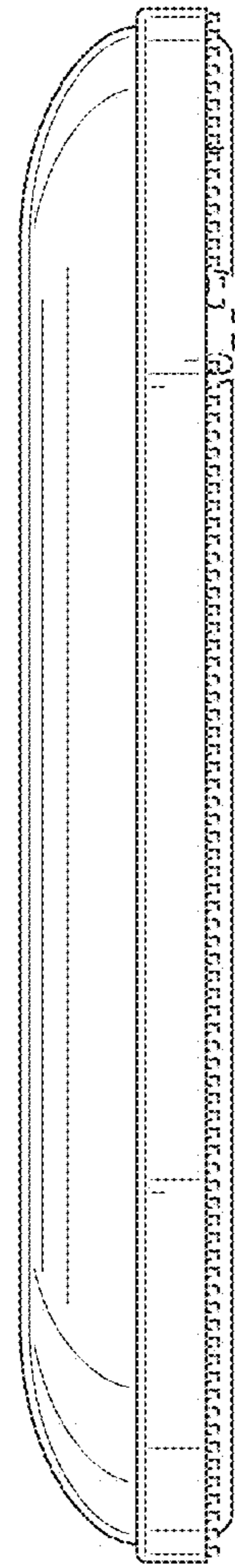


FIG. 12

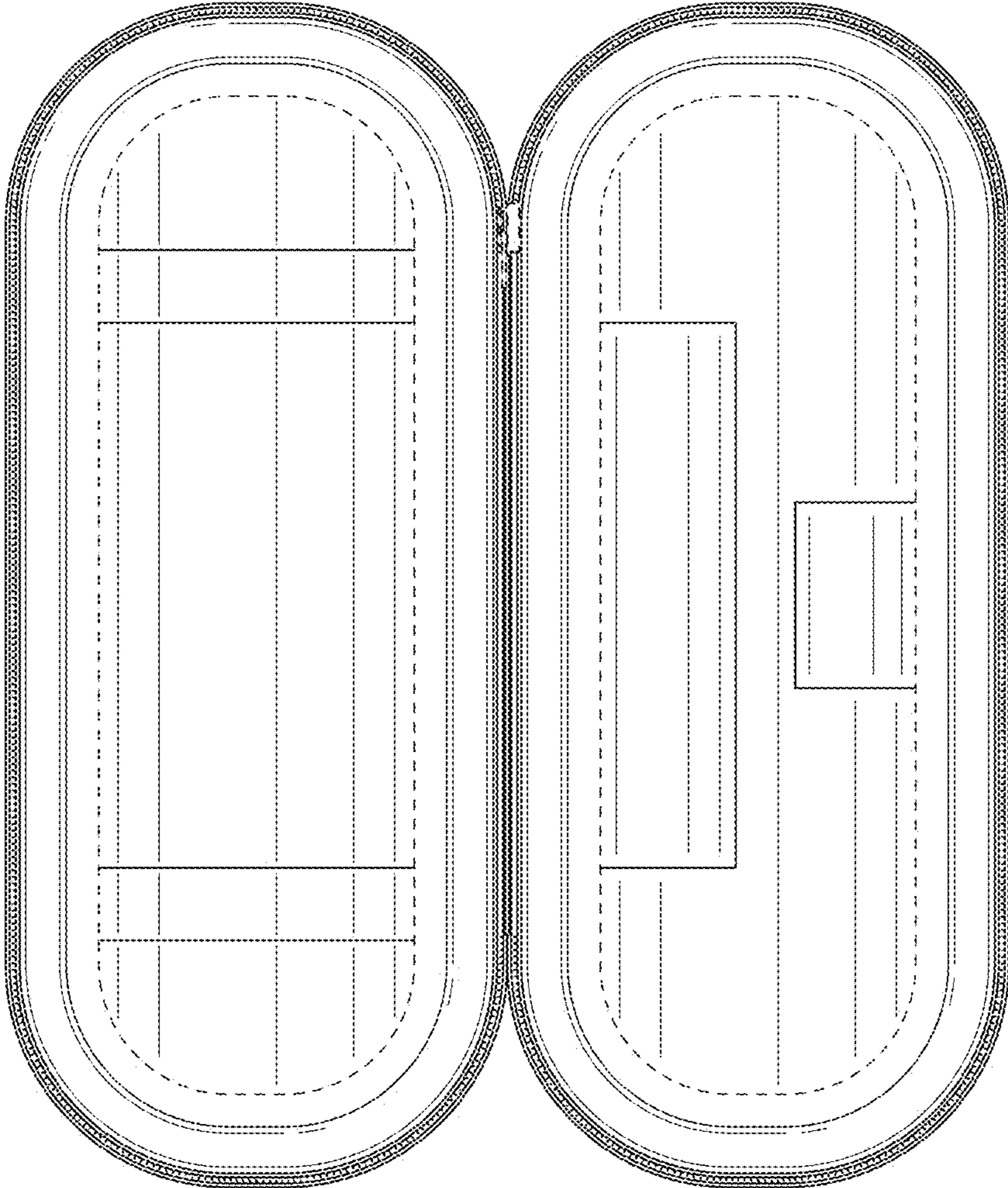


FIG. 13

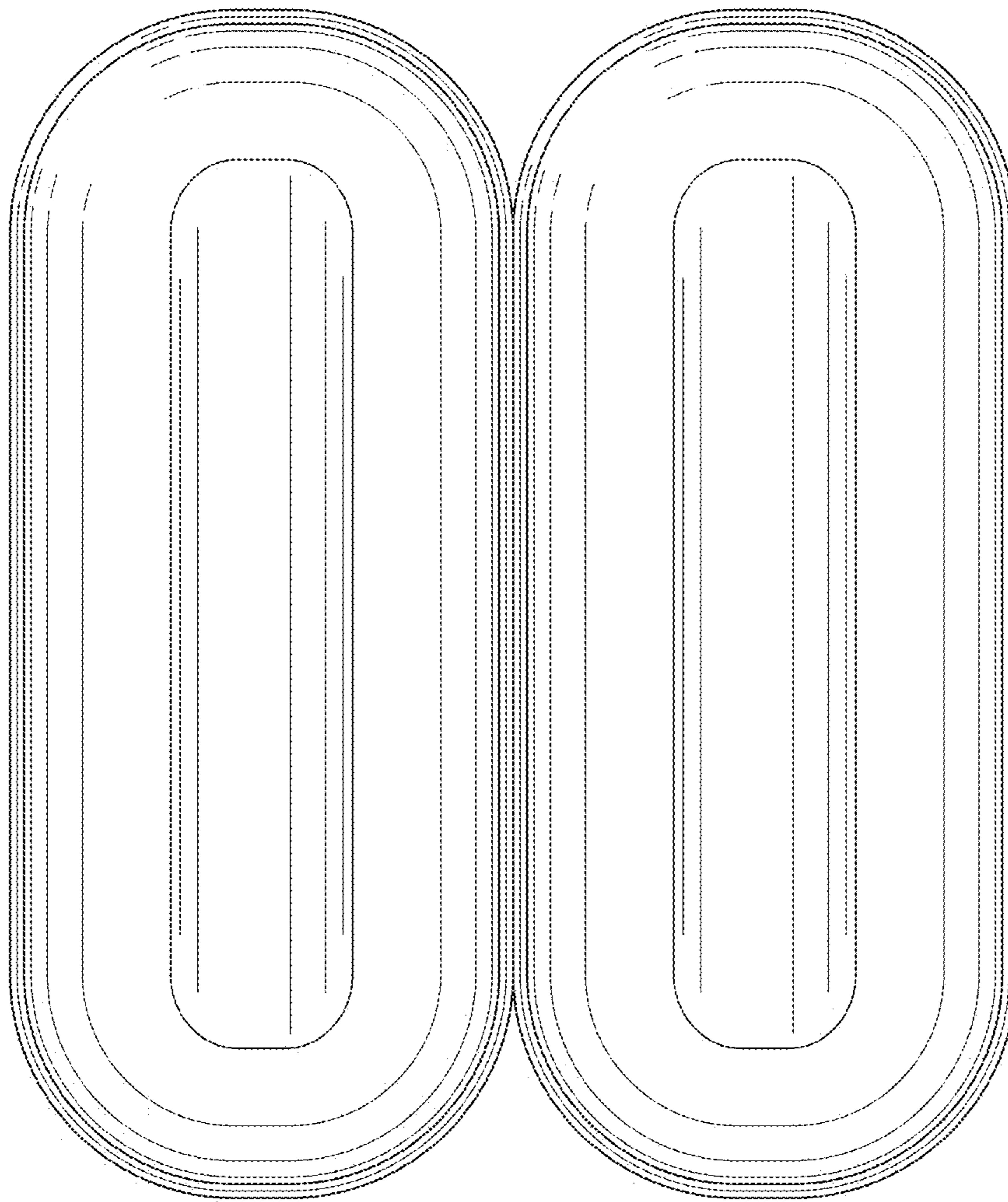


FIG. 14

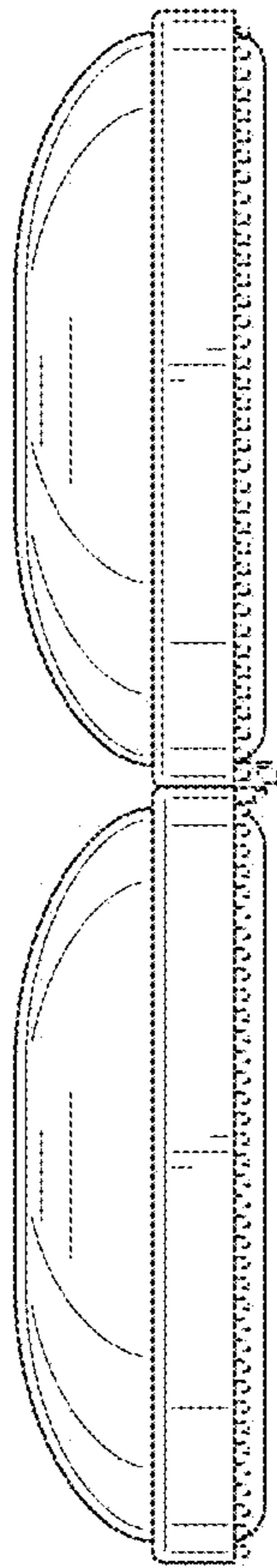


FIG. 15

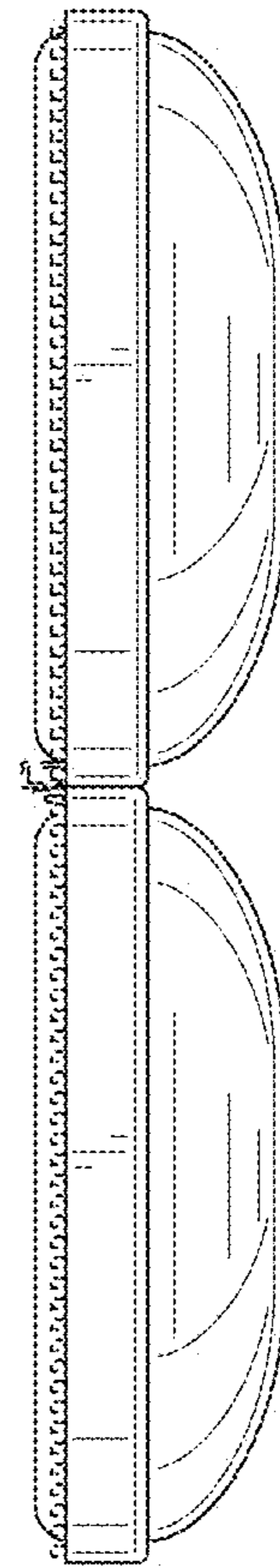


FIG. 16