



US00D740017S

(12) **United States Design Patent**
Diamond

(10) **Patent No.:** **US D740,017 S**

(45) **Date of Patent:** **** Oct. 6, 2015**

(54) **TENNIS BALL CANE TIP**

(71) Applicant: **Drive Medical Design & Manufacturing**, Port Washington, NY (US)

(72) Inventor: **Harvey Diamond**, Armonk, NY (US)

(73) Assignee: **Drive Medical Design & Manufacturing**, Port Washington, NY (US)

(**) Term: **14 Years**

(21) Appl. No.: **29/504,116**

(22) Filed: **Oct. 2, 2014**

(51) **LOC (10) Cl.** **03-03**

(52) **U.S. Cl.**
USPC **D3/17**

(58) **Field of Classification Search**
USPC D3/17, 6, 9, 7, 10; D18/14; D21/707;
D14/501; D7/710, 332, 606, 402, 334,
D7/515, 392; D34/11; D19/97; 16/42 R;
473/371; 135/67, 77

CPC A47B 91/06; A61H 3/00; A45B 9/04;
A63B 37/0003

See application file for complete search history.

(56) **References Cited**

U.S. PATENT DOCUMENTS

D222,207 S *	10/1971	Blum	D3/6
D249,089 S *	8/1978	Studley	D18/14
D258,832 S *	4/1981	Meadows	D21/707
D272,677 S *	2/1984	Bove et al.	D3/9
D283,370 S *	4/1986	Hill	D3/7
D341,241 S *	11/1993	Buckley	D34/15
D343,950 S	2/1994	Just		
5,301,703 A	4/1994	Kahn		
5,476,113 A *	12/1995	Lin et al.	135/16
5,485,862 A	1/1996	Kahn		
5,707,303 A	1/1998	Berkowitz et al.		
D408,126 S *	4/1999	Hunnicuttt et al.	D3/7

D413,598 S *	9/1999	Cheung	D14/501
D416,770 S *	11/1999	Thorpe	D7/710
D417,068 S *	11/1999	Swercheck et al.	D3/7
D418,359 S *	1/2000	Taylor, Jr.	D7/332
D420,552 S *	2/2000	Hansen	D7/606
D431,155 S *	9/2000	Cragg	D7/402
D432,862 S *	10/2000	Cragg	D7/402

(Continued)

FOREIGN PATENT DOCUMENTS

CA	54603	*	6/1985
CN	3433178	*	3/2005
CN	302520424	*	7/2013

OTHER PUBLICATIONS

Walker Coasters—one Pair—Tennis Ball Yellow, Announced Jul. 18, 2009, [Site Visited May 27, 2015] <http://www.hearmore.com/products/8803/Walker-Coasters-One-Pair-Tennis-Ball-Yellow.html>.*

(Continued)

Primary Examiner — John Windmuller

Assistant Examiner — Luqman McNeil

(74) *Attorney, Agent, or Firm* — Carter, DeLuca, Farrell & Schmidt, LLP

(57) **CLAIM**

The ornamental design for a tennis ball cane tip, as shown and described.

DESCRIPTION

FIG. 1 is a perspective view of a tennis ball cane tip of the new design;

FIG. 2 is a front elevational view thereof;

FIG. 3 is a rear elevational view thereof;

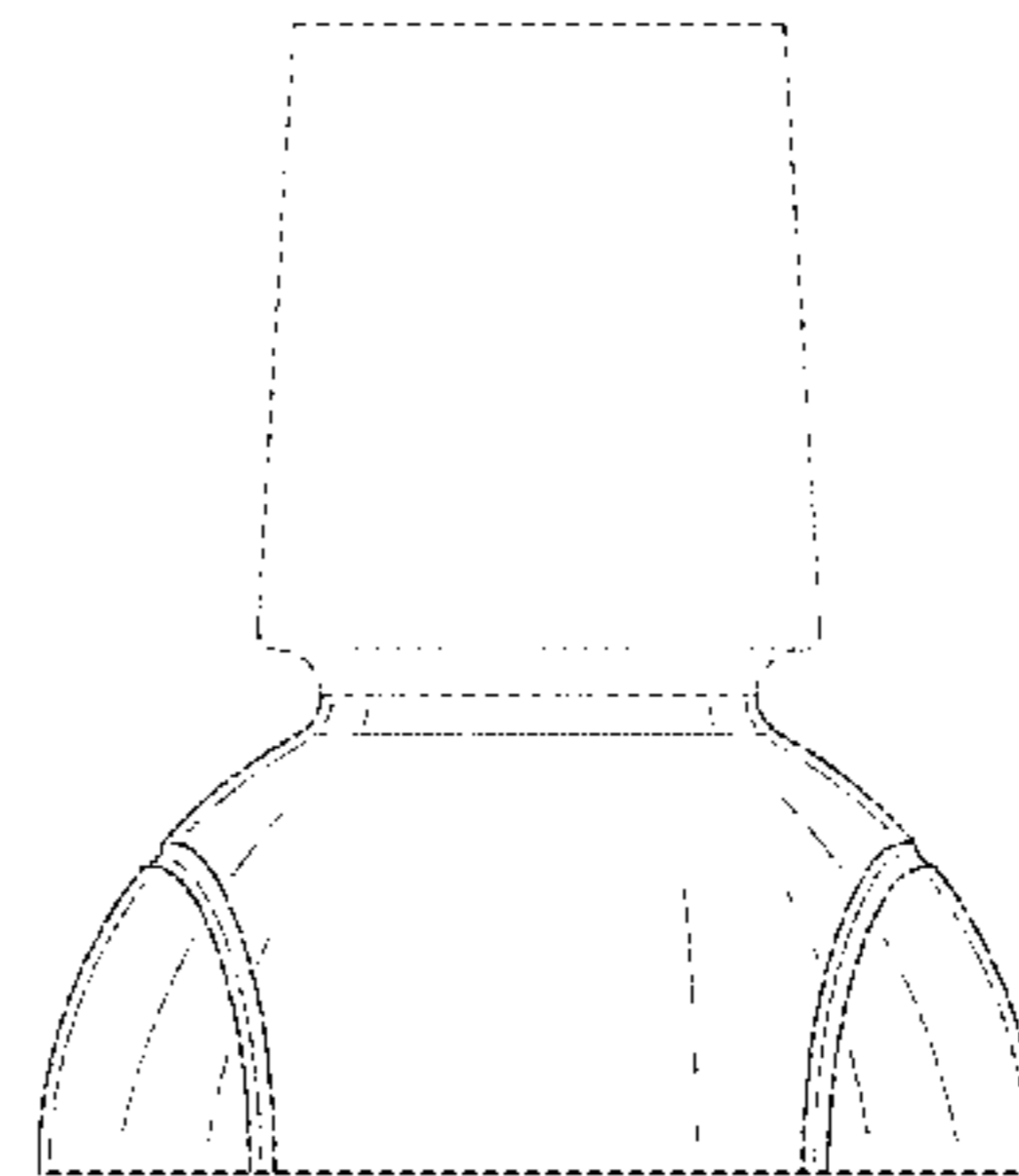
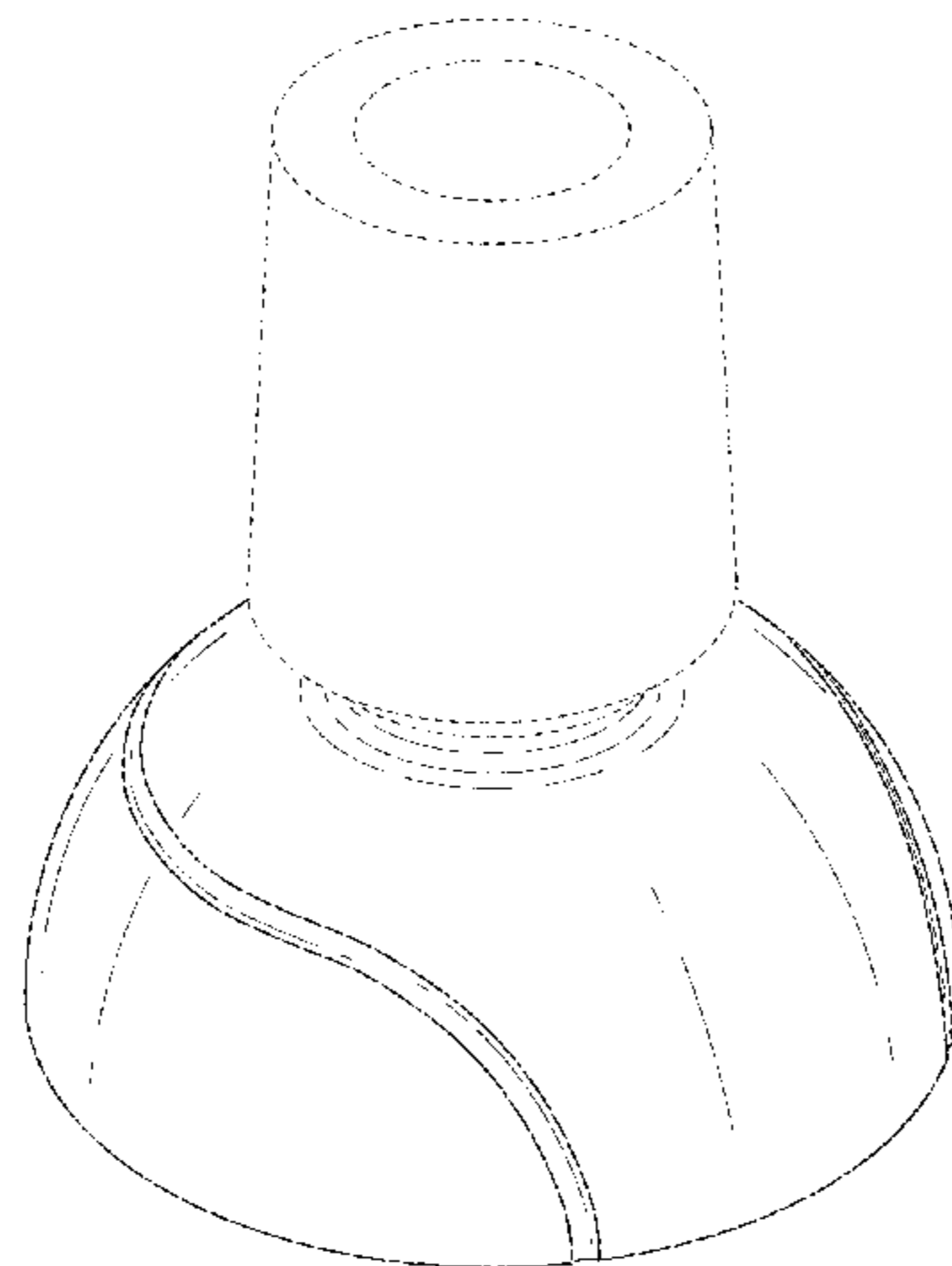
FIG. 4 is a left side elevational view thereof;

FIG. 5 is a top plan view thereof; and,

FIG. 6 is a bottom plan view thereof.

The right side elevational view is a mirror image of the left side elevational view.

1 Claim, 4 Drawing Sheets



(56)

References Cited

U.S. PATENT DOCUMENTS

D439,793 S * 4/2001 Mak D7/332
D551,822 S * 9/2007 Gianfrisco et al. D34/11
D554,851 S 11/2007 Carroll
D555,892 S 11/2007 Carroll
D563,147 S * 3/2008 Henry D7/334
D593,745 S * 6/2009 Stanec D3/10
D594,702 S * 6/2009 Sax et al. D7/515
7,882,848 B2 * 2/2011 Diamond 135/77
D665,991 S 8/2012 Slayton et al.
D677,981 S * 3/2013 Levin D7/392
D705,865 S * 5/2014 Roth D19/97

2006/0053587 A1* 3/2006 Chase 16/42 R
2006/0272691 A1* 12/2006 DeLesline 135/67
2015/0011330 A1* 1/2015 Ishii et al. 473/371

OTHER PUBLICATIONS

Tennis Ball Walker Glides ;; Walkers /Rollators : Drive , Announced Apr. 22, 2011, [Site Visited May 27, 2015] http://www.norbrookmedical.com/Catalog/Online-Catalog-Product/17240/Tennis-Ball-Walker-Glides.*
Adieha's Weight Loss Journey, Announced May 1, 2012, [Site Visited May 27, 2015] http://adieha-journey.blogspot.com/2012_05_01_archive.html.*

* cited by examiner

FIG. 1

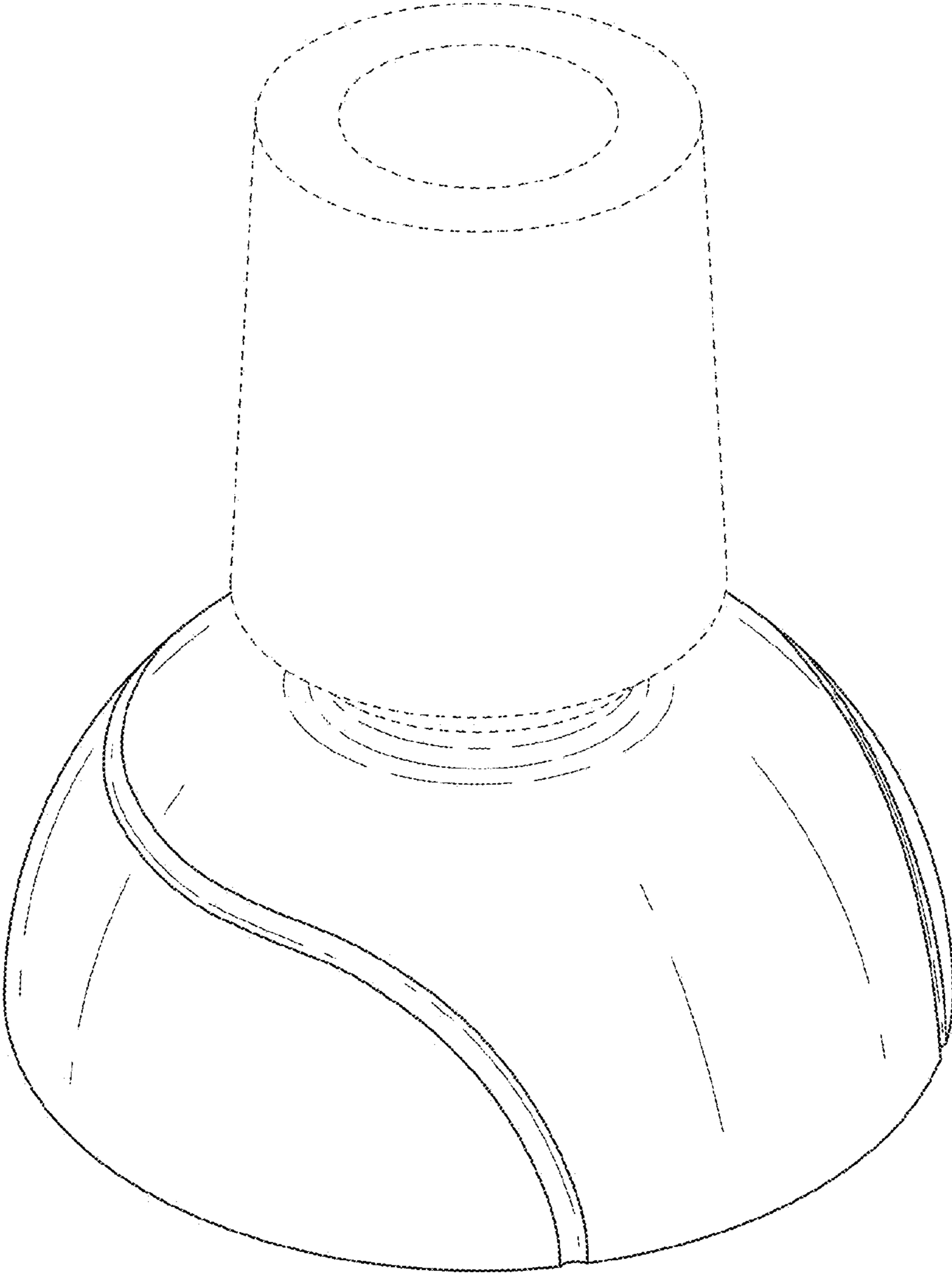


FIG. 3

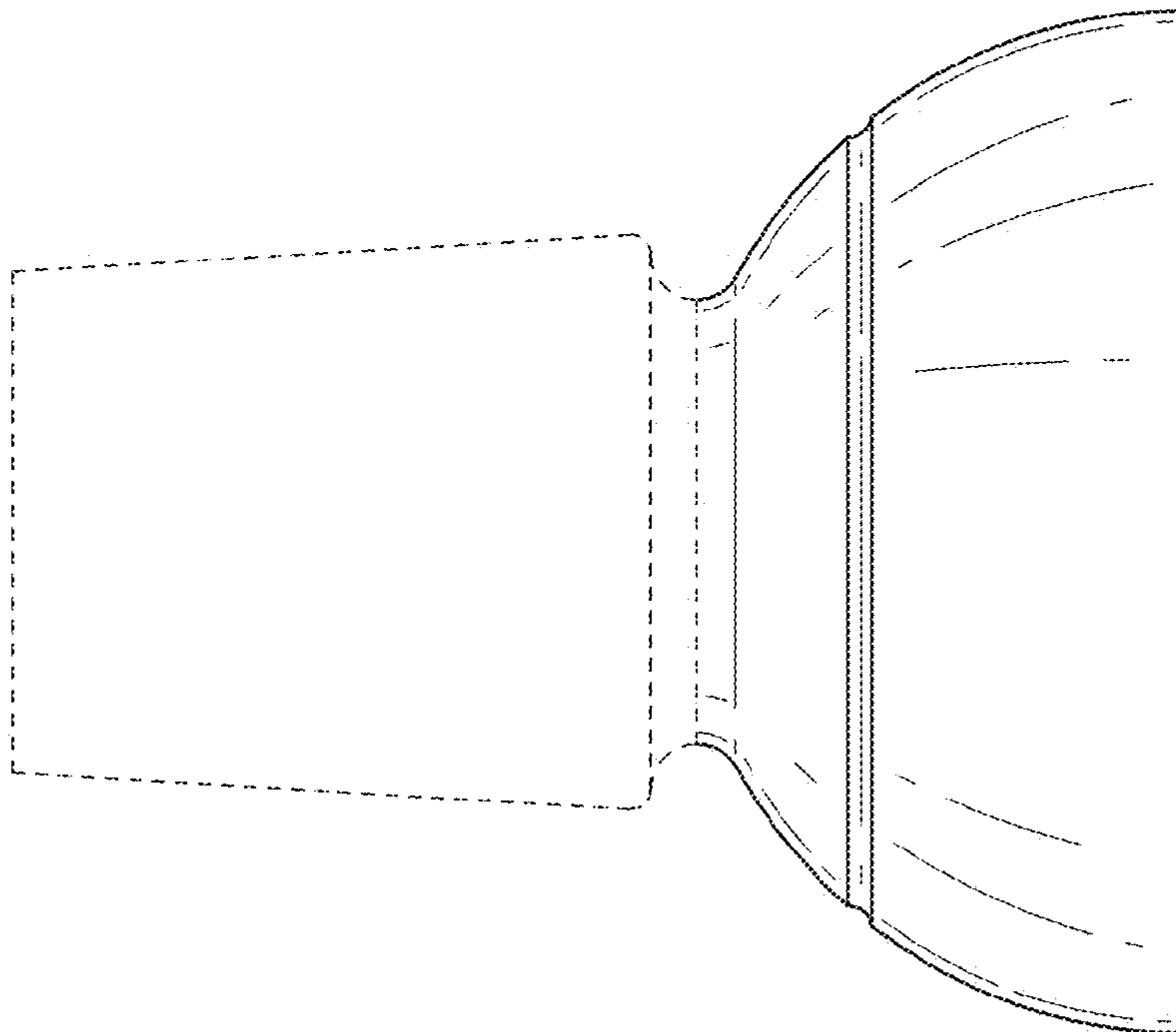


FIG. 2

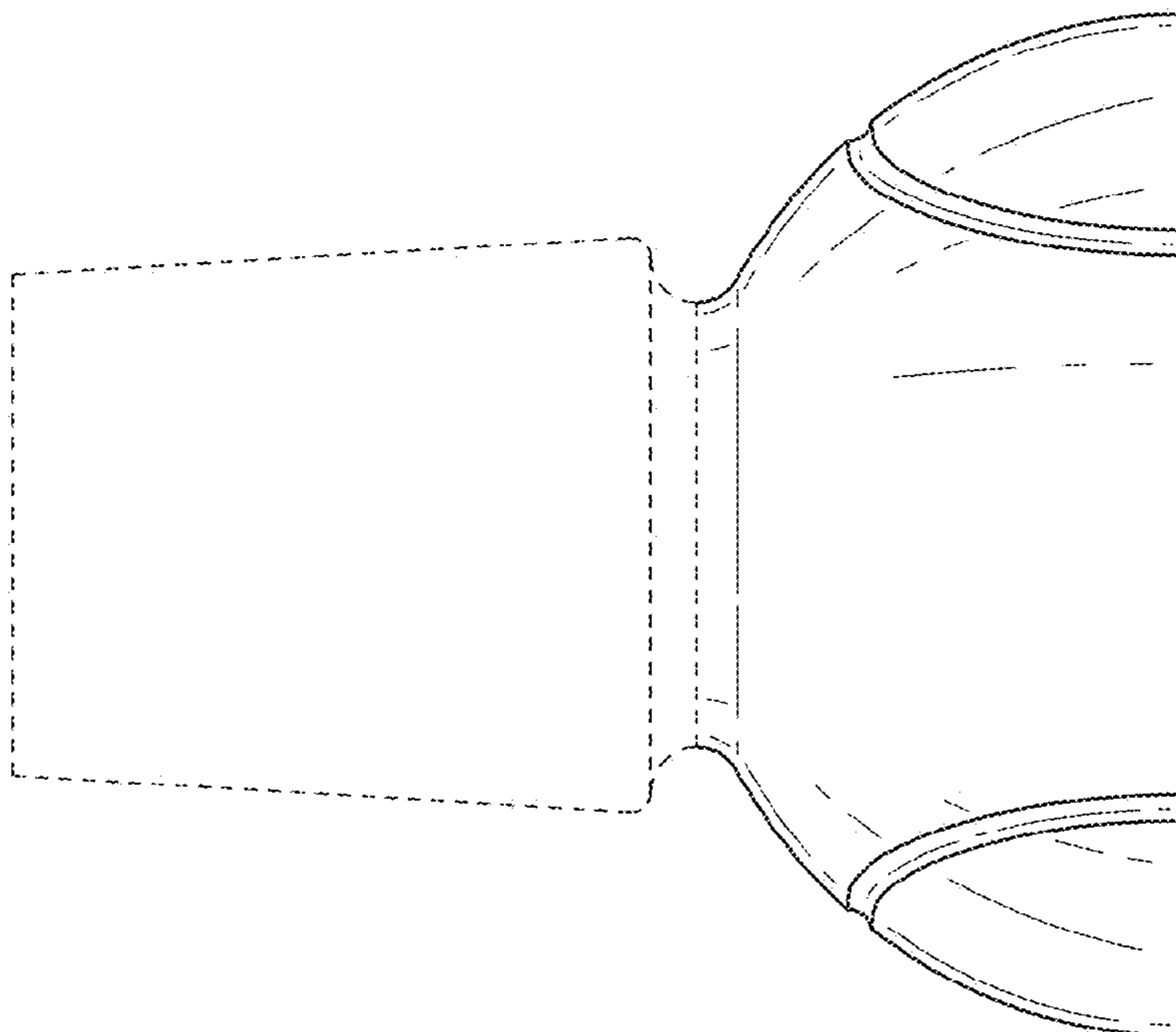


FIG. 4

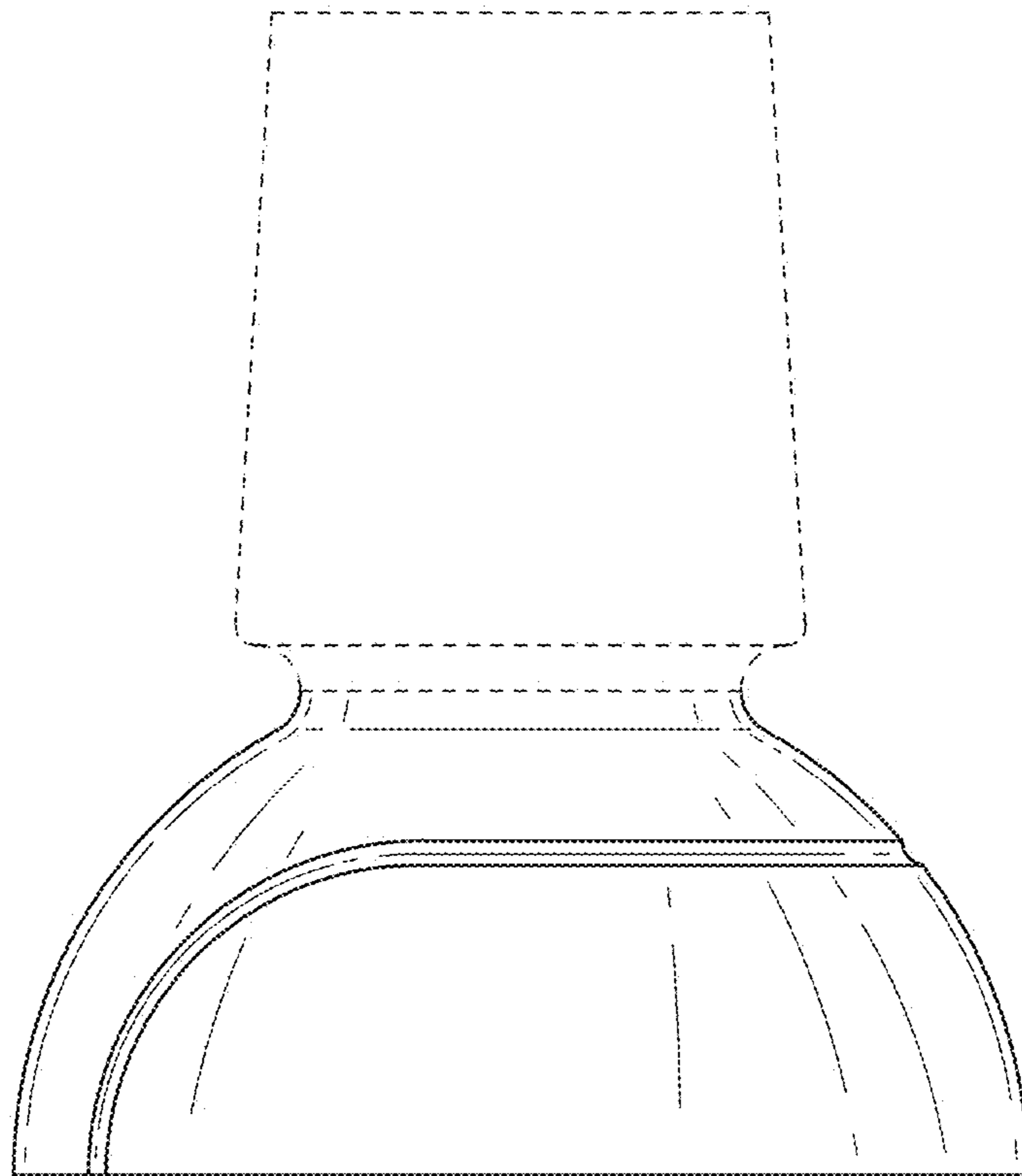


FIG. 5

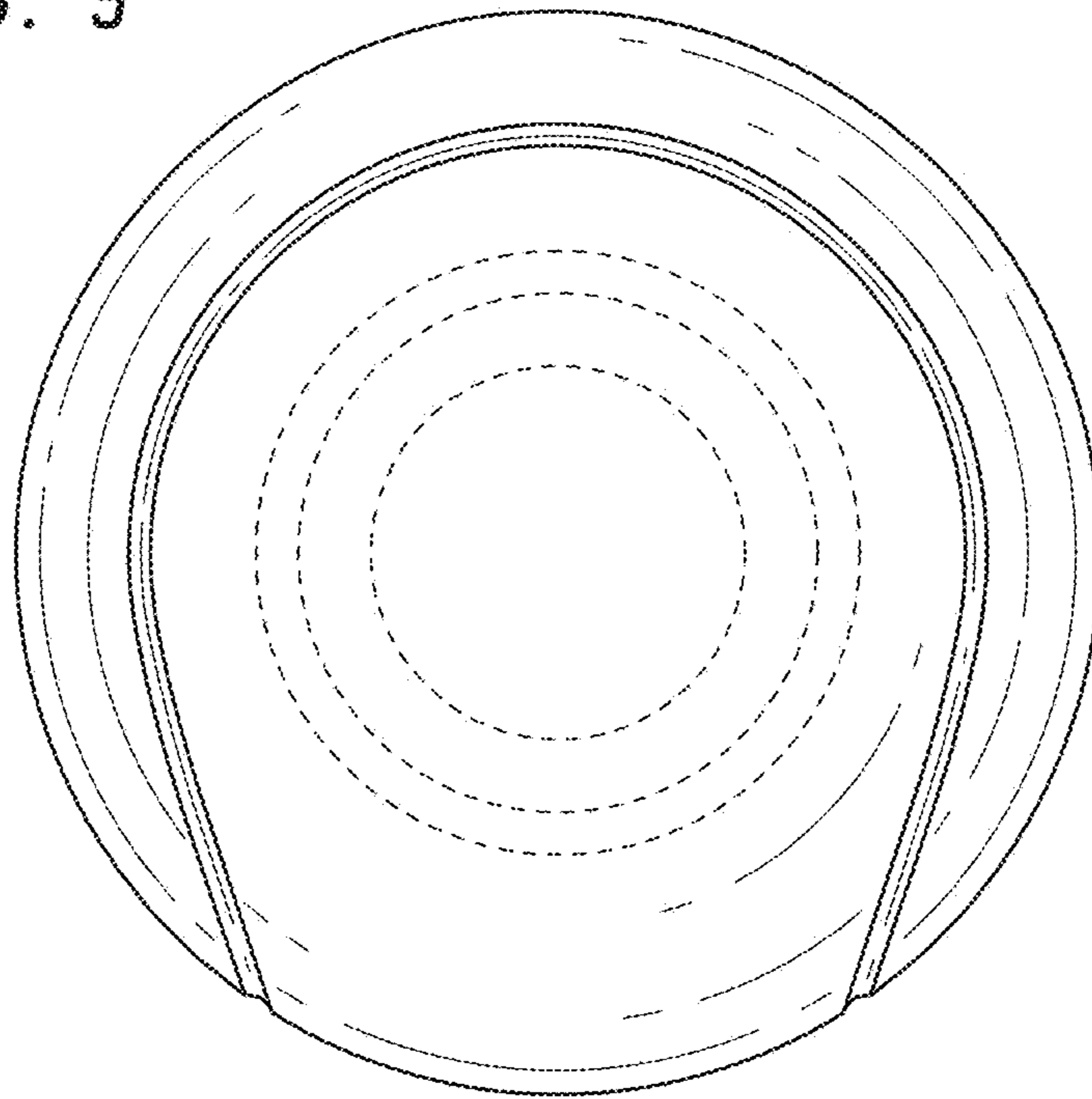


FIG. 6

