

US00D739990S

(12) **United States Design Patent**
Sautter et al.

(10) **Patent No.:** **US D739,990 S**
(45) **Date of Patent:** **** Sep. 29, 2015**

- (54) **BOAT CARRIER HAVING TWO SADDLES**
- (71) Applicant: **Yakima Products, Inc.**, Beaverton, OR (US)
- (72) Inventors: **Chris Sautter**, Portland, OR (US);
Jason A. Sagen, Portland, OR (US)
- (73) Assignee: **Yakima Products, Inc.**, Beaverton, OR (US)
- (**) Term: **14 Years**
- (21) Appl. No.: **29/458,344**
- (22) Filed: **Jun. 18, 2013**
- (51) **LOC (10) Cl.** **12-02**
- (52) **U.S. Cl.**
USPC **D34/16**
- (58) **Field of Classification Search**
USPC D34/28, 12-27; 280/814, 645, 47.18,
280/35, 809, 655; D12/133; 224/324, 319,
224/917
CPC B62B 2202/401; B62B 1/12; B62B 1/002;
B62B 1/20; B62B 1/18; B62B 3/00; B62B
3/06; A63C 11/025; A63C 11/026; A63C
11/021; B63C 13/00; B63C 15/00; B63C 1/02
See application file for complete search history.

- (56) **References Cited**
U.S. PATENT DOCUMENTS

1,433,741 A 10/1922 Parker
1,789,458 A 1/1931 Bureau
(Continued)

- FOREIGN PATENT DOCUMENTS**

DE 2940095 A1 4/1981
DE 4229268 A1 3/1994
(Continued)

Primary Examiner — Cynthia Ramirez
(74) *Attorney, Agent, or Firm* — Kolisch Hartwell, P.C.

(57) **CLAIM**
We claim the ornamental design for a boat carrier having two saddles, as shown and described.

DESCRIPTION

FIG. 1 is a top plan view of a boat mount including a pair of saddles for supporting the hull of a boat.

FIG. 2 is a perspective view of the right saddle from the boat mount shown in FIG. 1. A perspective view of the left saddle of the boat mount in FIG. 1 is a mirror image of the view shown in FIG. 2.

FIG. 3 is a right side elevation view of the saddle shown in FIGS. 1 and 2. A right side elevation view of the saddle shown on the left of the boat mount in FIG. 1 is a mirror image of the view shown in FIG. 3.

FIG. 4 is a left side elevation view of the saddle shown in FIGS. 1-3. A left side elevation view of the saddle shown on the left of the boat mount in FIG. 1 is a mirror image of the view shown in FIG. 4.

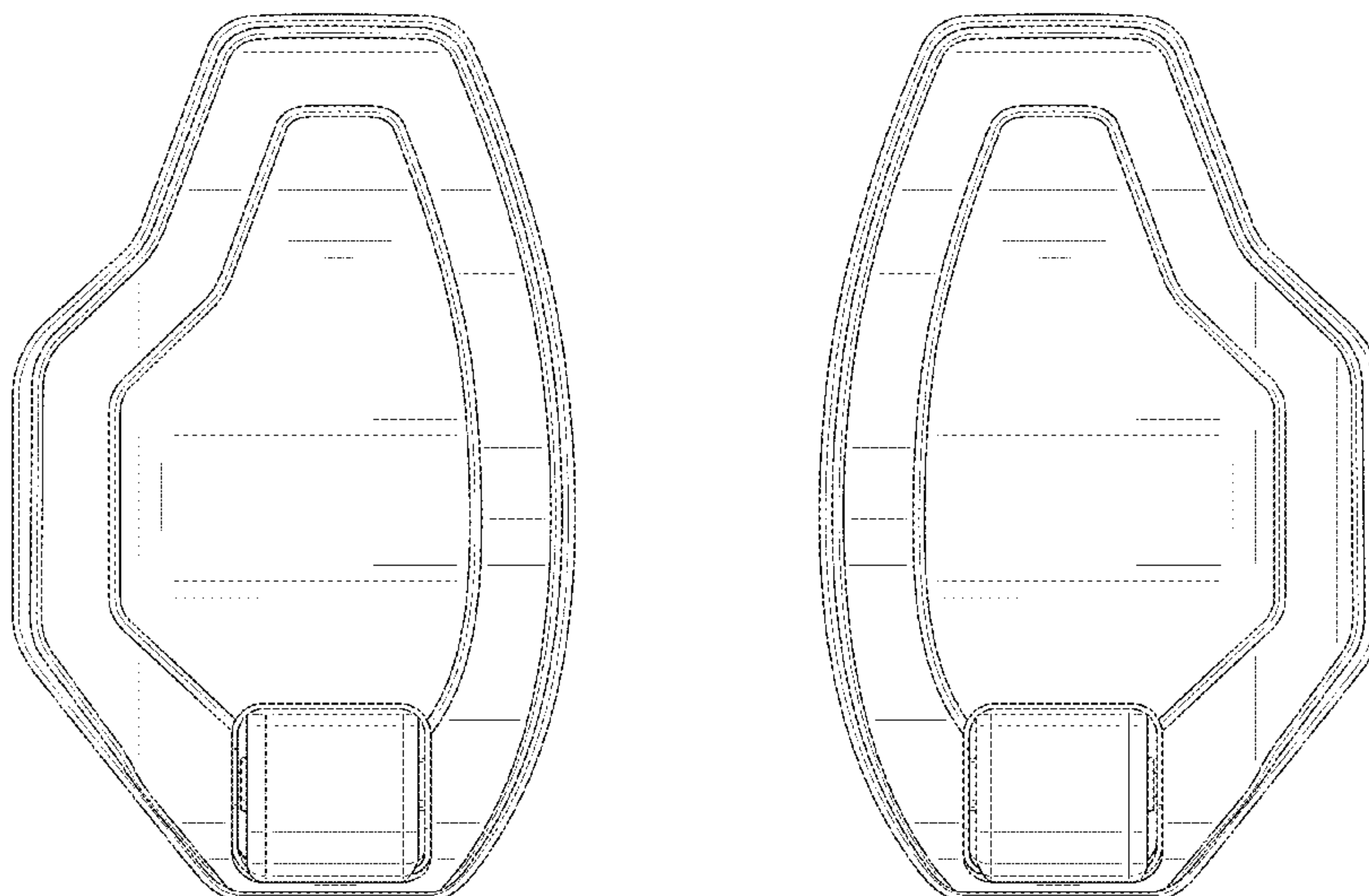
FIG. 5 is a front elevation view of the saddle shown in FIGS. 1-4. A front elevation view of the saddle shown on the left of the boat mount in FIG. 1 is a mirror image of the view in FIG. 5;

FIG. 6 is a rear elevation view of the saddle shown in FIGS. 1-5. A rear elevation view of the saddle shown on the left of the boat mount of FIG. 1 is a mirror image of the view in FIG. 6; and,

FIG. 7 is a bottom plan view of the saddle shown in FIGS. 1-6. A bottom plan view of the saddle shown on the left of the boat mount of FIG. 1 is a mirror image of the view in FIG. 7.

Portions of the boat carrier having two saddles that are not shown in the drawings form no part of the claimed design. The left and right saddles are shown together in FIG. 1, but only the left saddle is shown in FIGS. 2-7 for convenience of illustration.

1 Claim, 7 Drawing Sheets



(56)

References Cited

U.S. PATENT DOCUMENTS

2,248,170 A 7/1941 Hansen
 2,302,300 A 11/1942 Davies
 2,444,422 A 7/1948 Bradford
 2,536,797 A 1/1951 Cooke
 2,551,218 A 5/1951 Menne
 2,573,187 A 10/1951 Desilets
 2,723,005 A 11/1955 Wink
 2,729,499 A 1/1956 Eggum
 2,816,672 A 12/1957 Facchini
 2,988,253 A 6/1961 Menghi
 3,001,679 A 9/1961 Canning et al.
 3,005,213 A 10/1961 Brown et al.
 3,042,240 A 7/1962 Cline
 3,113,642 A 12/1963 Lay
 3,155,249 A 11/1964 Johnson
 3,186,569 A 6/1965 Roux
 3,190,587 A 6/1965 Fries
 3,276,085 A 10/1966 Spranger
 3,460,694 A 8/1969 Simms
 3,469,810 A 9/1969 Dorris
 3,596,788 A 8/1971 Willie
 3,642,157 A 2/1972 Williams, Jr.
 3,737,083 A 6/1973 Lund
 3,740,034 A 6/1973 Scroggins
 3,777,922 A 12/1973 Kirchmeyer
 3,826,390 A 7/1974 Watson
 3,892,455 A 7/1975 Sotolongo
 3,946,917 A 3/1976 Crawford et al.
 3,976,213 A 8/1976 Ball
 3,993,167 A 11/1976 Reed
 4,022,362 A 5/1977 Revercomb
 4,023,761 A 5/1977 Molis
 4,034,879 A 7/1977 Cudmore
 4,058,243 A 11/1977 Tappan
 4,081,118 A 3/1978 Mason
 4,085,763 A 4/1978 Thomas
 4,326,655 A 4/1982 Gradek et al.
 4,350,380 A 9/1982 Williams
 4,402,442 A 9/1983 Martino
 4,589,622 A 5/1986 Hutter
 4,630,990 A 12/1986 Whiting
 4,717,165 A 1/1988 Johnson
 4,751,891 A 6/1988 Wilson
 4,817,838 A 4/1989 Kamaya
 4,830,249 A 5/1989 Mirenda et al.
 4,848,794 A 7/1989 Mader et al.
 4,892,279 A 1/1990 Lafferty et al.
 4,895,096 A 1/1990 Goodwin et al.
 4,960,356 A 10/1990 Wrenn
 4,961,524 A 10/1990 Hunts
 4,997,332 A 3/1991 Johnson
 D319,131 S * 8/1991 Smeitink D34/23
 5,118,020 A 6/1992 Piretti
 5,123,147 A 6/1992 Blair
 5,131,669 A 7/1992 Kinnamon et al.
 5,136,709 A 8/1992 Shirakabe et al.
 5,137,195 A 8/1992 Walter
 5,215,233 A 6/1993 Baldeck
 5,217,149 A 6/1993 Simonett
 5,226,570 A 7/1993 Pedrini
 5,275,320 A 1/1994 Duemmler
 5,346,355 A 9/1994 Riemer
 5,360,150 A 11/1994 Praz
 5,388,938 A 2/1995 Helton
 5,416,957 A 5/1995 Renzi, Sr. et al.

5,442,840 A 8/1995 Ewald
 5,516,017 A 5/1996 Arvidsson
 5,535,930 A 7/1996 Lee
 5,582,044 A 12/1996 Bolich
 5,617,617 A 4/1997 Gustin
 5,628,336 A 5/1997 Lee
 5,647,522 A 7/1997 Routh
 D386,145 S 11/1997 Staller
 5,738,258 A 4/1998 Farrow et al.
 5,769,291 A 6/1998 Chasan
 5,769,292 A 6/1998 Cucheran et al.
 5,775,557 A 7/1998 Arvidsson
 5,810,226 A 9/1998 Lee
 5,845,828 A 12/1998 Settelmayer
 5,868,621 A 2/1999 Parsons
 5,951,231 A 9/1999 Allen
 5,992,805 A 11/1999 Tanner
 6,015,074 A 1/2000 Snavely et al.
 6,086,102 A * 7/2000 Stark et al. 280/814
 6,131,781 A 10/2000 Murray
 6,164,507 A 12/2000 Dean et al.
 6,189,868 B1 2/2001 Santelli, Jr.
 6,357,643 B1 3/2002 Janner et al.
 6,385,822 B1 5/2002 Dean et al.
 6,422,441 B1 7/2002 Settelmayer et al.
 D473,692 S * 4/2003 Tafoya D34/31
 6,622,898 B1 9/2003 Wang
 6,681,971 B2 1/2004 Laverack et al.
 6,715,653 B2 4/2004 DeCosta
 6,793,186 B2 9/2004 Pedersen
 6,918,521 B2 7/2005 Settelmayer et al.
 7,036,698 B2 5/2006 Allen
 7,131,561 B2 11/2006 Humes
 D550,921 S * 9/2007 McMorris D34/23
 7,357,283 B2 4/2008 Settelmayer
 D580,620 S * 11/2008 Sellers et al. D34/24
 8,021,169 B1 9/2011 Smith
 8,136,709 B2 3/2012 Jeli et al.
 8,245,893 B2 8/2012 Sautter et al.
 D678,642 S * 3/2013 Riddiford D34/24
 8,556,146 B2 10/2013 Sautter et al.
 2002/0125282 A1 9/2002 Laverack et al.
 2005/0077335 A1 4/2005 Bourne
 2006/0273122 A1 12/2006 Bogoslofski et al.
 2006/0289577 A1 12/2006 Malone
 2007/0119888 A1 5/2007 Chuang
 2008/0000940 A1 1/2008 Wang
 2008/0029563 A1 2/2008 Malone
 2011/0132946 A1 6/2011 Sautter et al.

FOREIGN PATENT DOCUMENTS

DE 20309766 U1 9/2003
 EP 0019873 B1 10/1982
 EP 0511179 A1 10/1992
 FR 1400231 A 5/1965
 FR 2481209 A1 10/1981
 FR 2501601 A1 9/1982
 FR 2519305 A1 7/1983
 FR 2600953 A1 1/1988
 FR 2624808 A2 6/1989
 GB 886743 A 1/1962
 GB 2257463 B 8/1994
 WO 2005021332 A1 3/2005
 WO WO2010/056140 A2 * 5/2010
 WO 2010144369 A1 12/2010

* cited by examiner

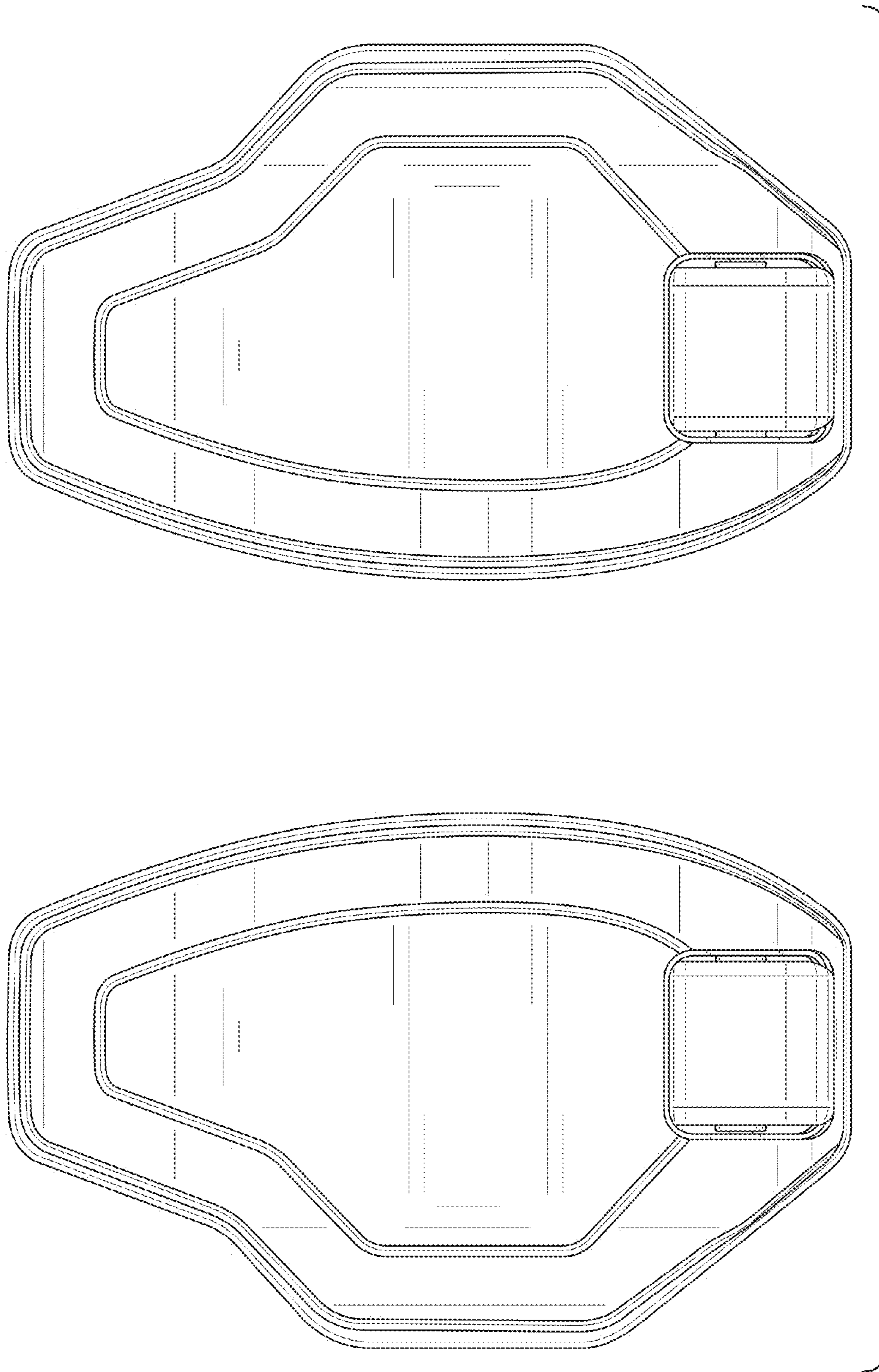


FIG. 1

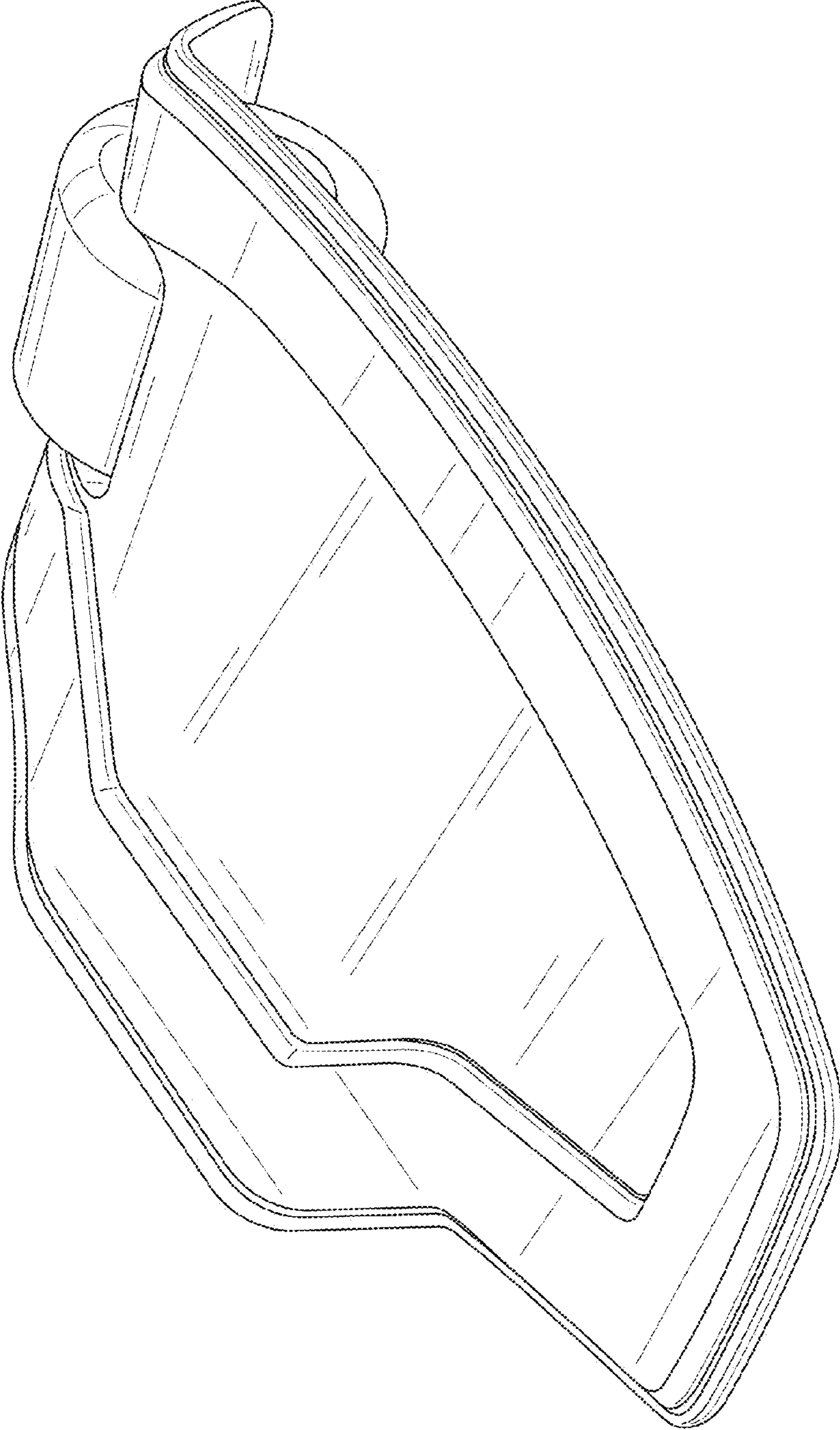


FIG. 2

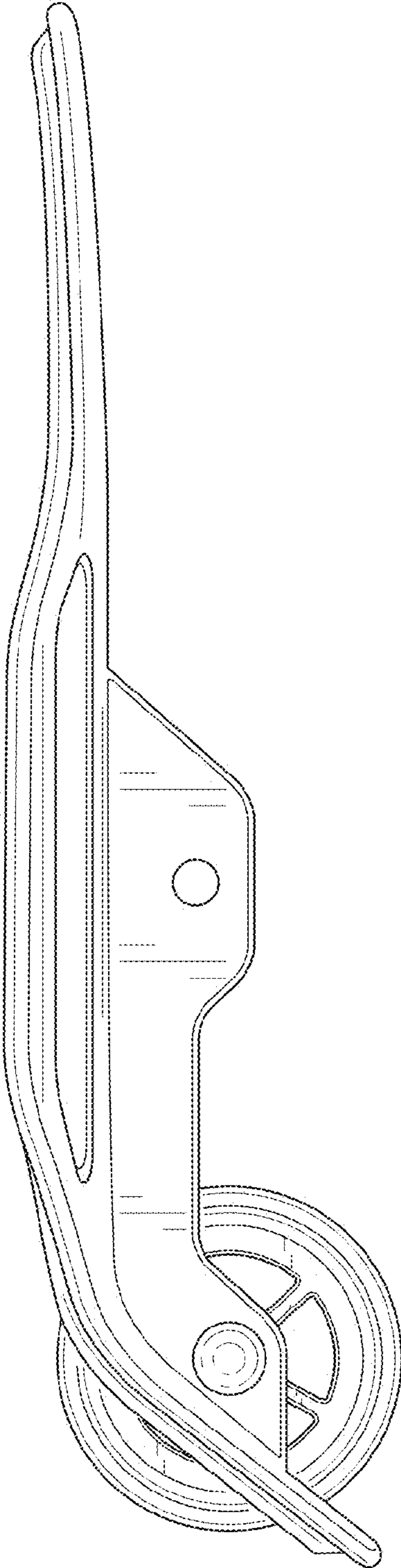


FIG. 3

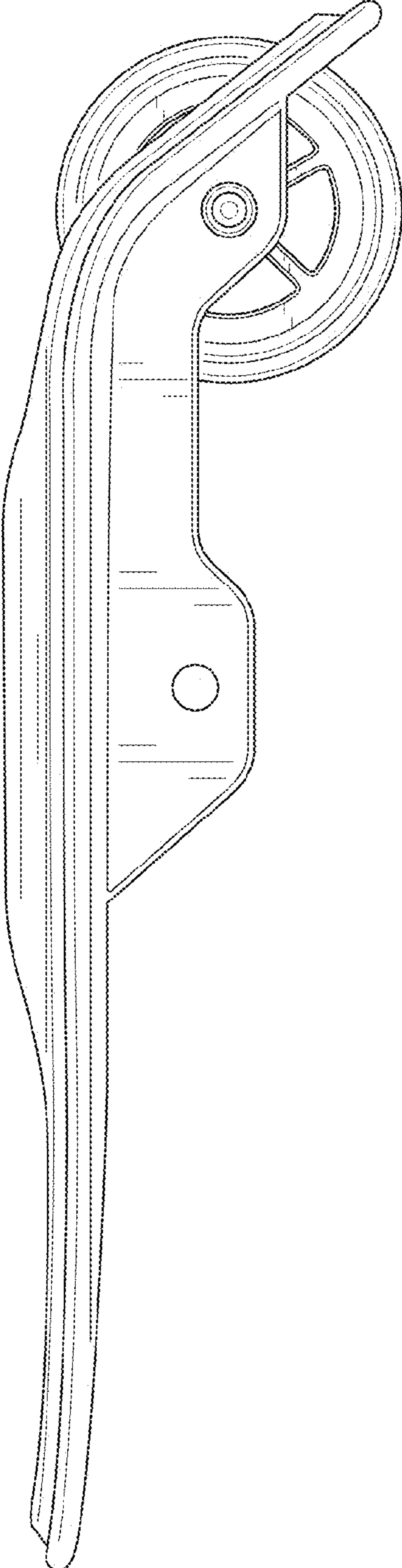


FIG. 4

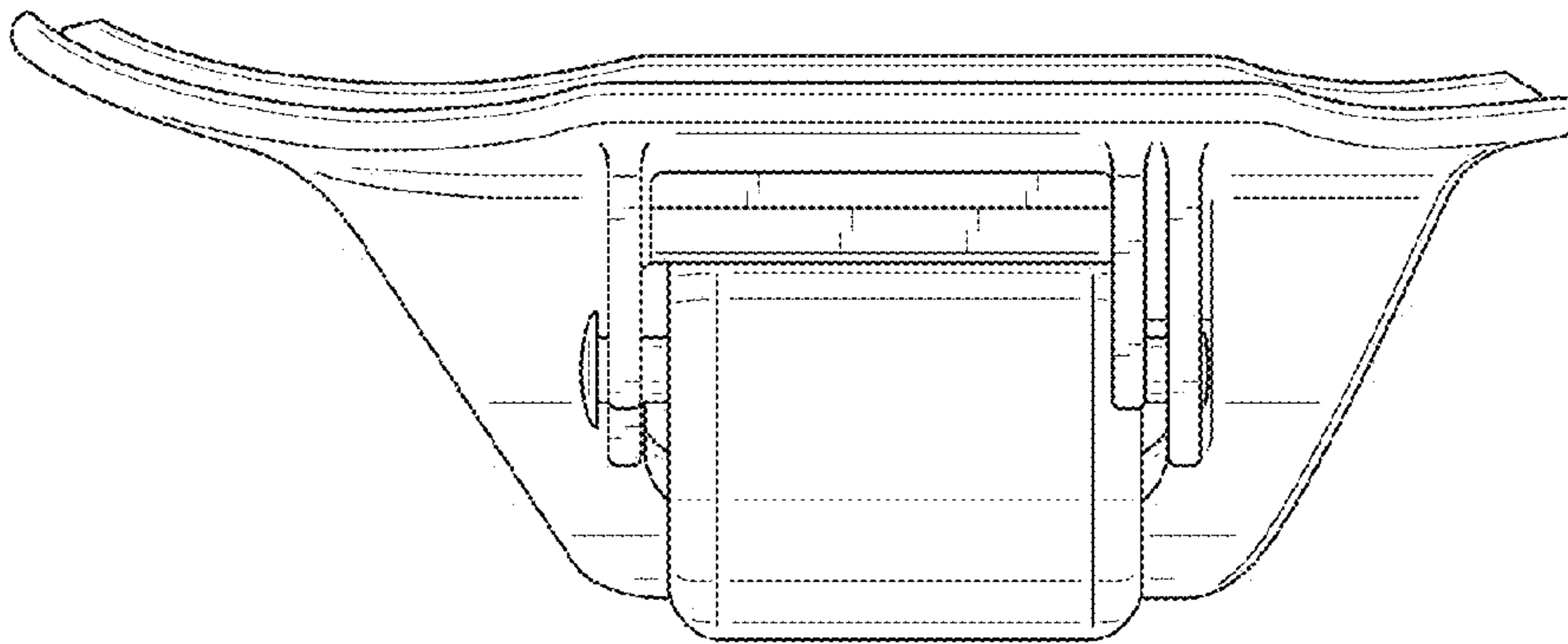


FIG. 5

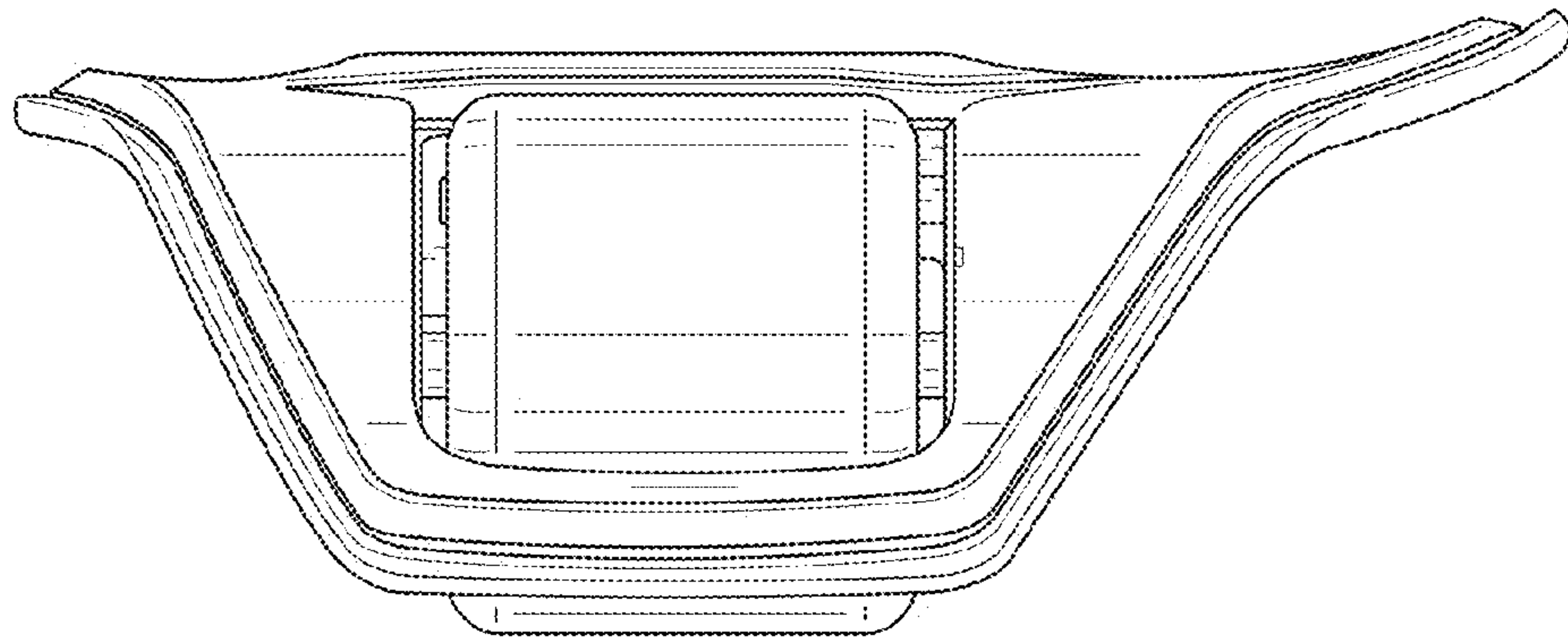


FIG. 6

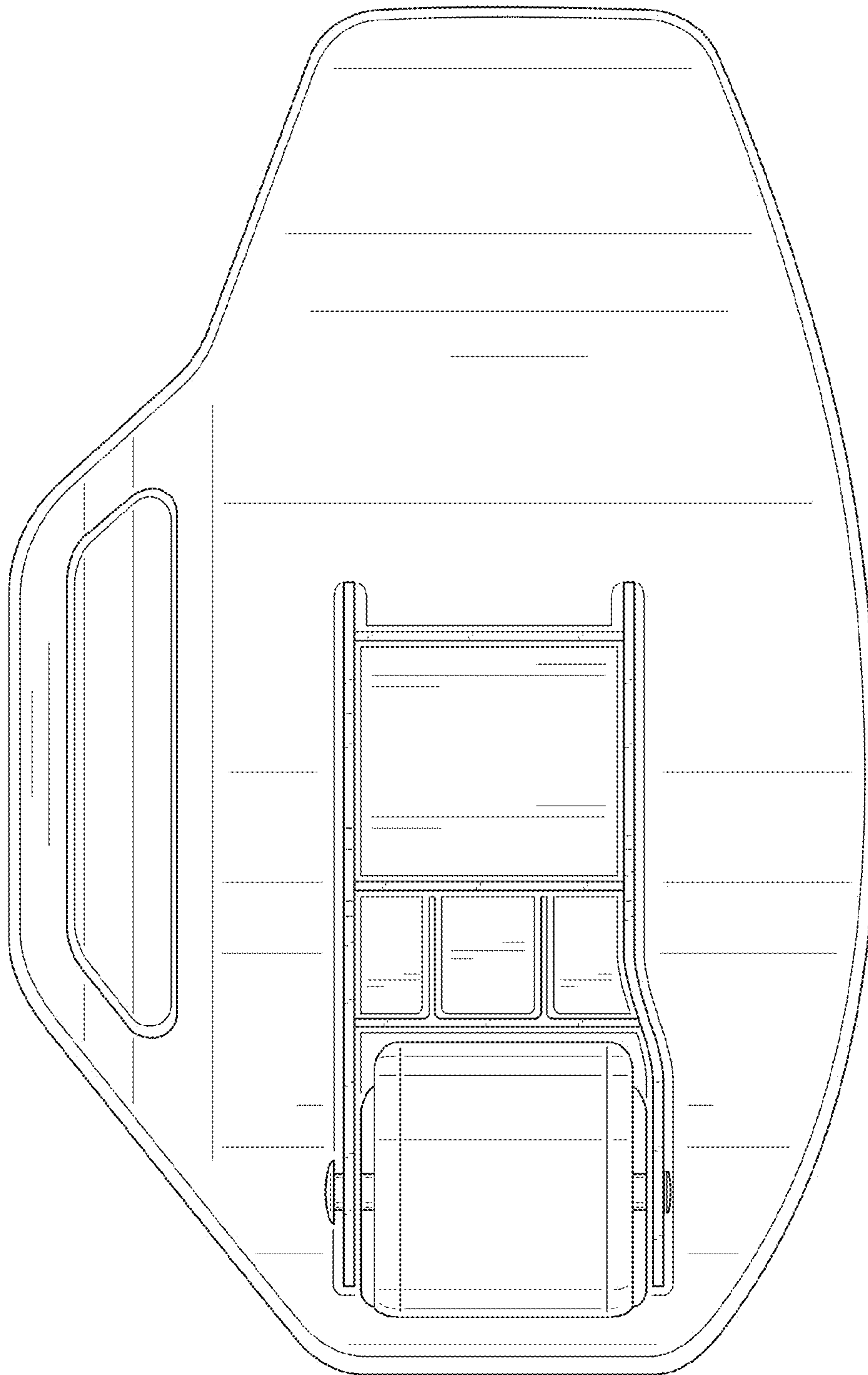


FIG. 7