



US00D739989S

(12) **United States Design Patent**  
**Baez**

(10) **Patent No.:** **US D739,989 S**

(45) **Date of Patent:** **\*\* Sep. 29, 2015**

(54) **DRYING RACK**

(71) Applicant: **Jorge Baez**, Lake Forest, CA (US)

(72) Inventor: **Jorge Baez**, Lake Forest, CA (US)

(73) Assignee: **CAMBRO MANUFACTURING COMPANY**, Huntington Beach, CA (US)

(\*\*) Term: **14 Years**

(21) Appl. No.: **29/512,158**

(22) Filed: **Dec. 17, 2014**

(51) **LOC (10) Cl.** ..... **07-05**

(52) **U.S. Cl.**  
USPC ..... **D32/56**

(58) **Field of Classification Search**  
USPC ..... D32/55, 276, 3; D6/510, 525; D30/133;  
211/41.5, 41.4, 41.3, 41.8; 361/679.4;  
312/311, 333, 334.4; D7/354, 629  
CPC ..... A47J 47/20; A47J 2201/00; A47J 47/00;  
B65D 35/02; B65D 35/22; B65D 35/56  
See application file for complete search history.

(56) **References Cited**

**U.S. PATENT DOCUMENTS**

1,889,146 A \* 11/1932 Kalenoff ..... 220/23.8  
D214,077 S \* 5/1969 Kriegel ..... D32/55

D271,339 S \* 11/1983 Lee ..... D32/55  
D492,457 S \* 6/2004 Soroka ..... D32/55  
D532,948 S \* 11/2006 Gillisie ..... D32/55  
D617,069 S \* 6/2010 Munson ..... D32/55  
D663,912 S \* 7/2012 Le ..... D32/55  
D690,483 S \* 9/2013 Renz et al. .... D32/55  
D696,829 S \* 12/2013 Huang ..... D32/55

\* cited by examiner

*Primary Examiner* — Austin Murphy

(74) *Attorney, Agent, or Firm* — George F. Bethel

(57) **CLAIM**

I claim the ornamental design for a drying rack, as shown and described.

**DESCRIPTION**

FIG. 1 is a frontal perspective view of the drying rack.  
FIG. 2 is a front elevation view.  
FIG. 3 is a right side elevation view.  
FIG. 4 is a top plan view.  
FIG. 5 is a bottom plan view.  
FIG. 6 is a sectional view along lines 6-6 of FIG. 4.  
FIG. 7 is a sectional view along lines 7-7 of FIG. 4; and,  
FIG. 8 is a perspective view showing the drying rack with items to be dried in dotted configuration for purposes of showing the environment of the drying rack.

**1 Claim, 5 Drawing Sheets**

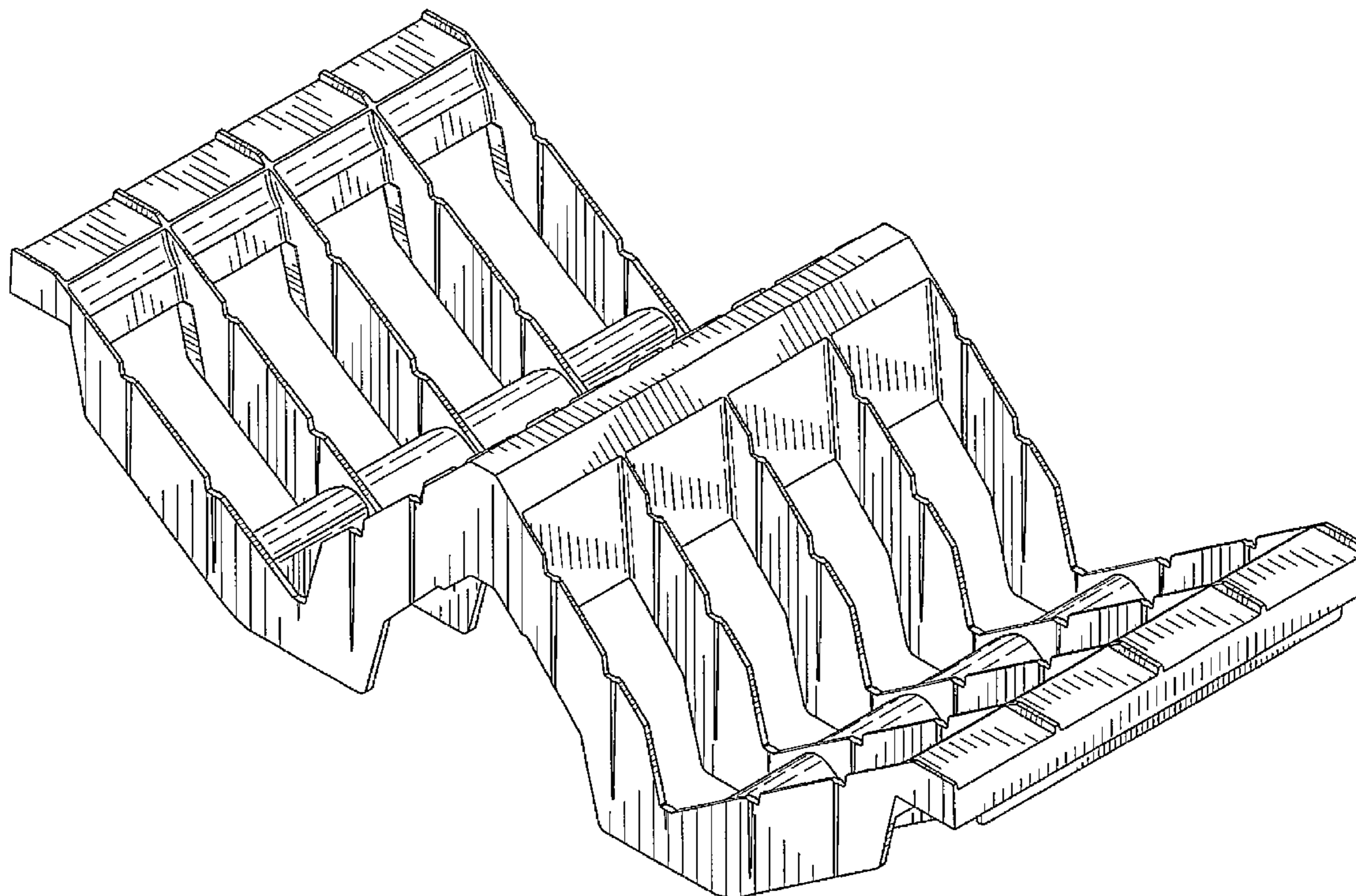
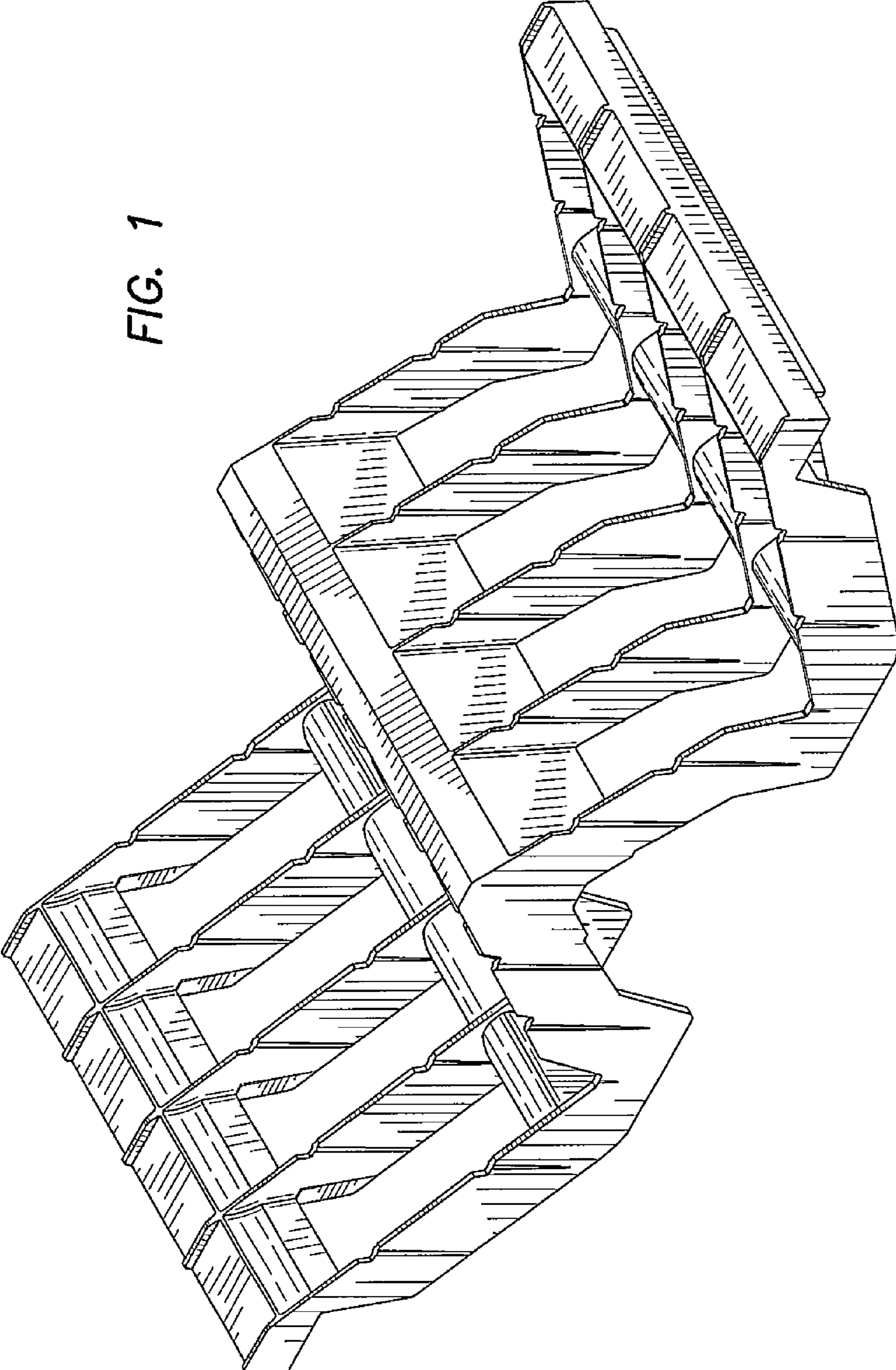


FIG. 1



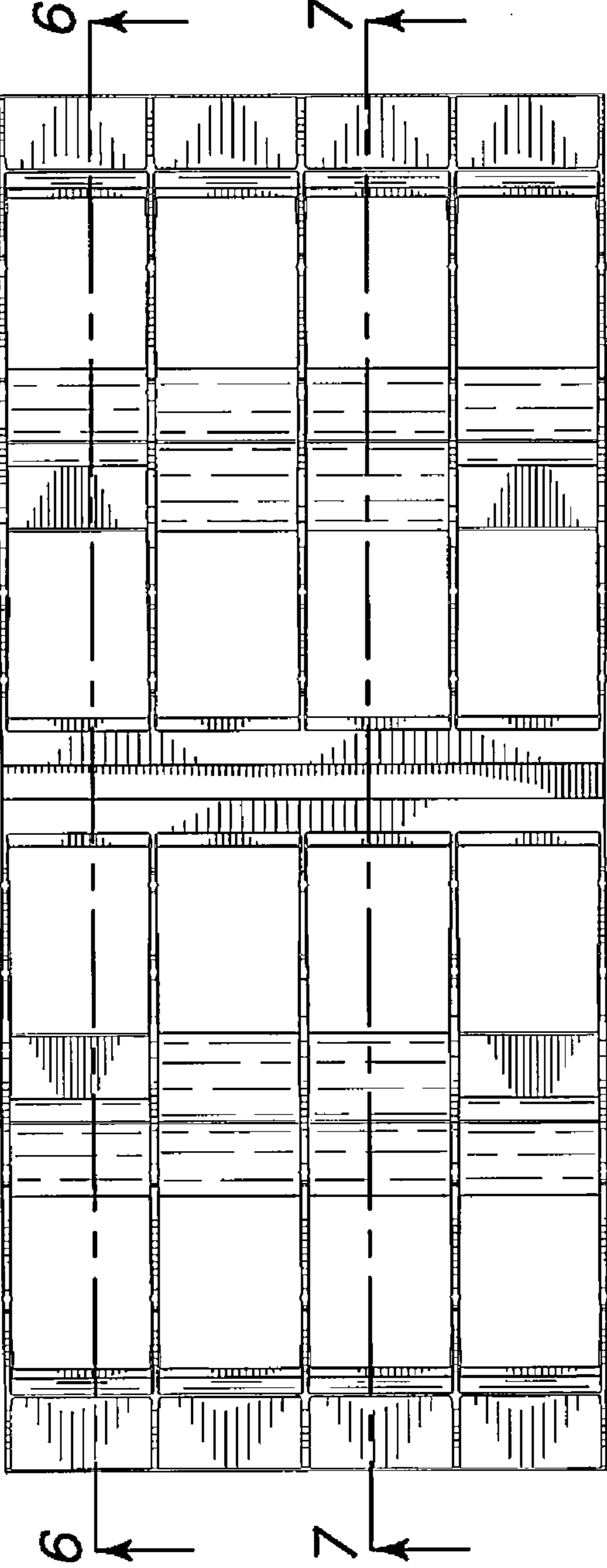
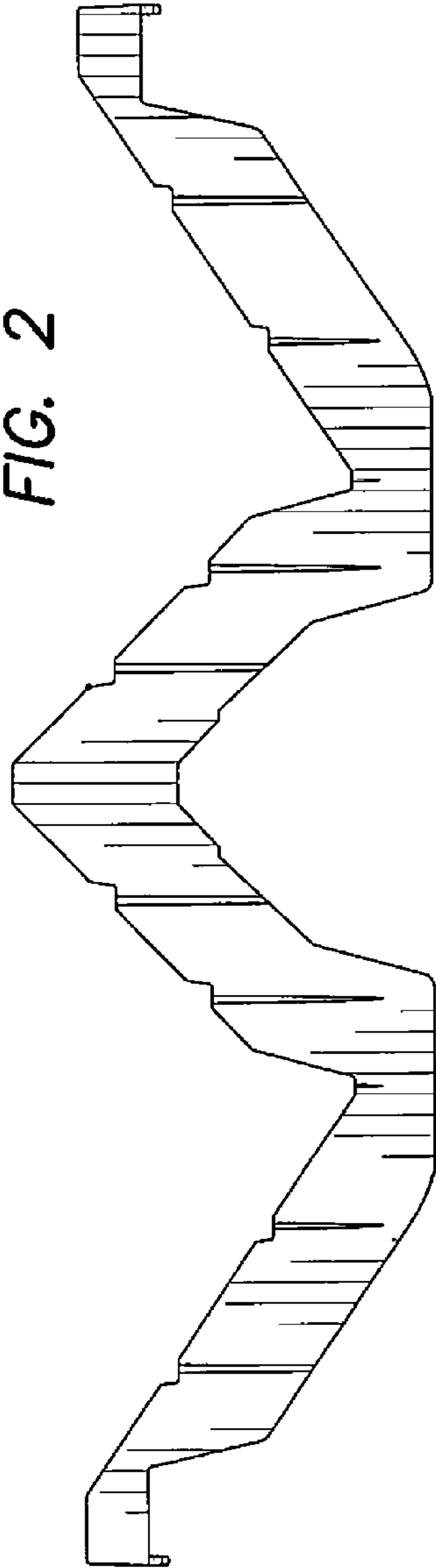


FIG. 4

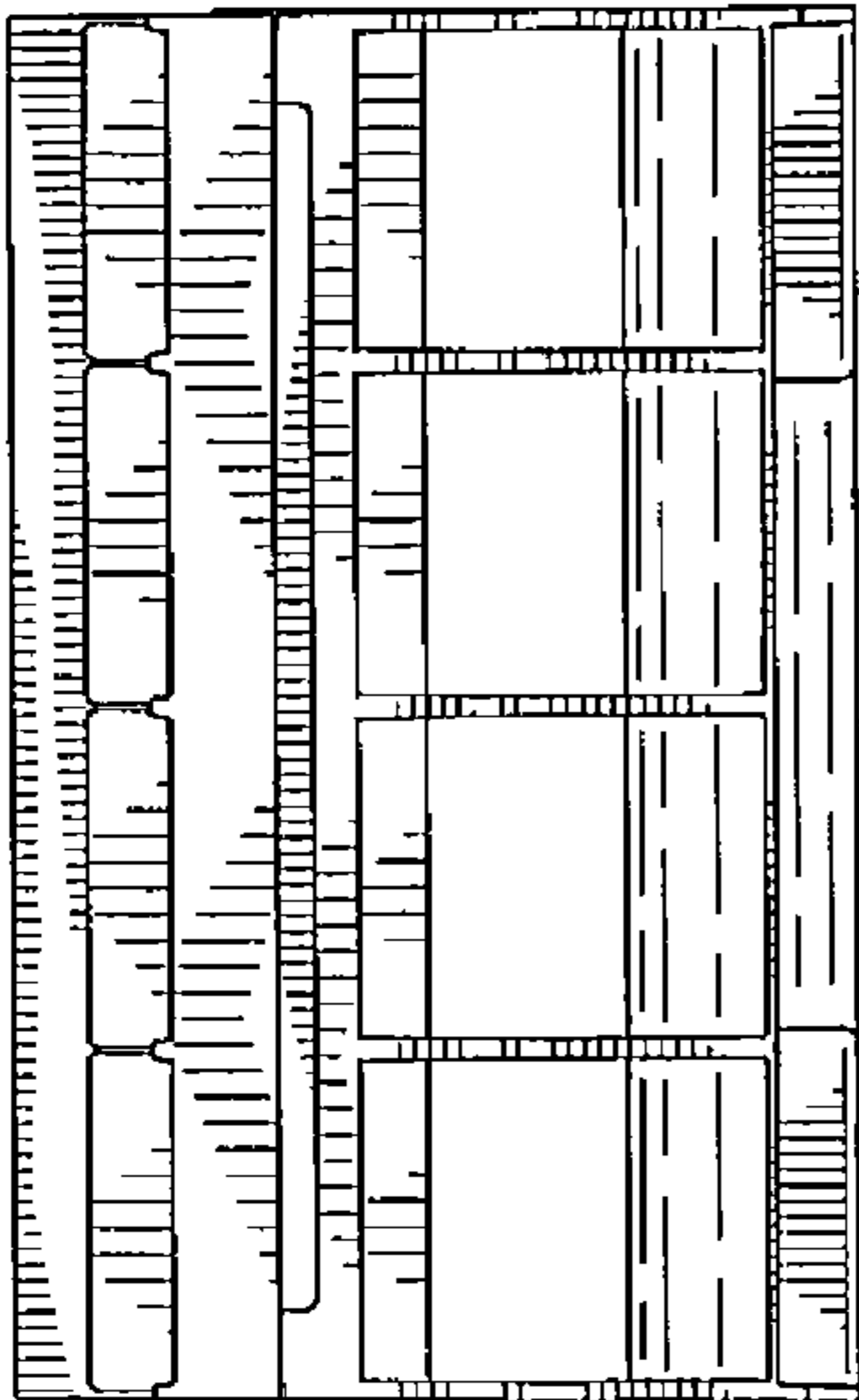


FIG. 3

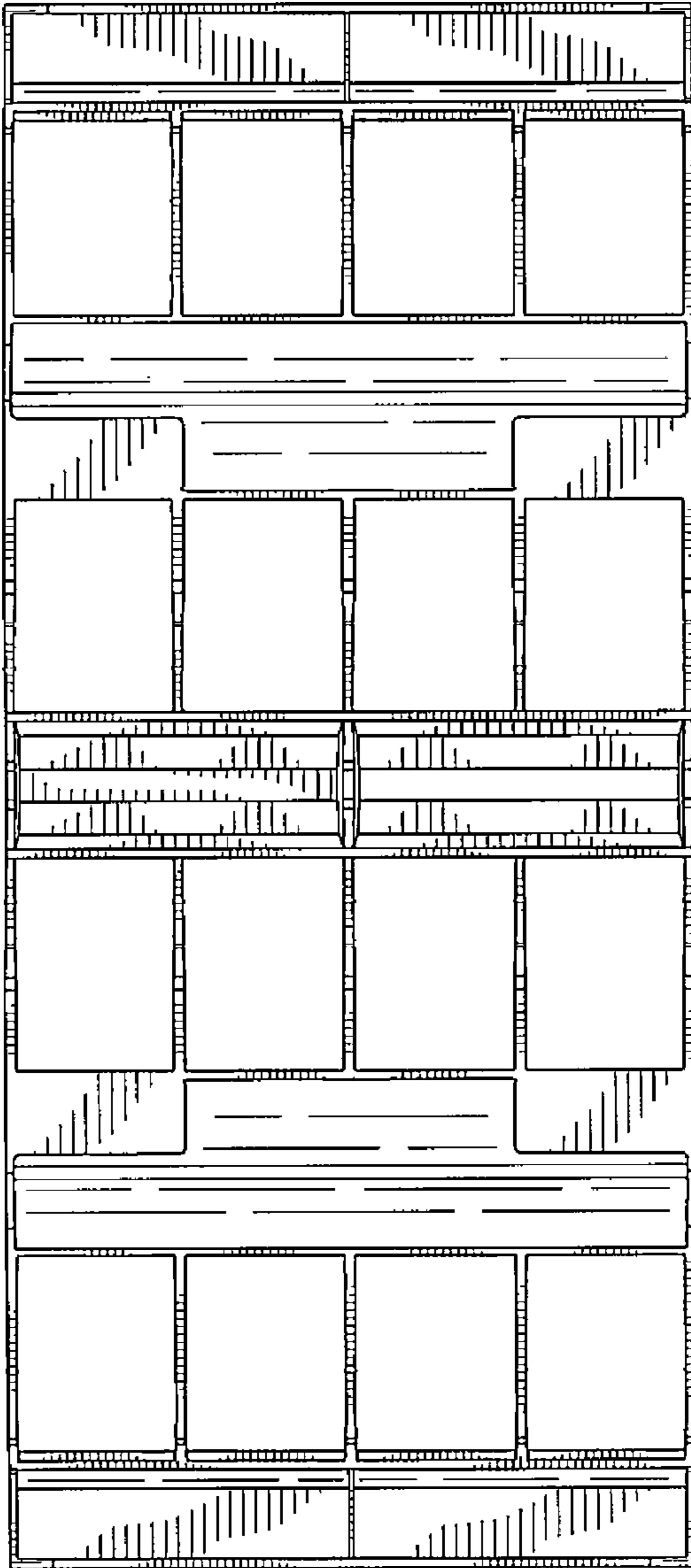


FIG. 5



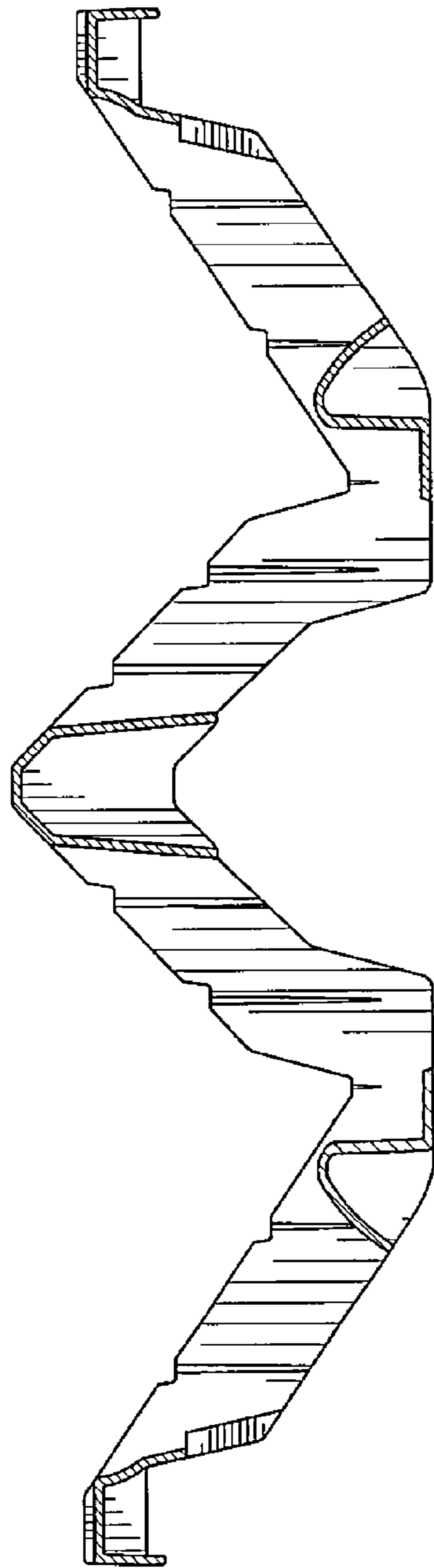


FIG. 6

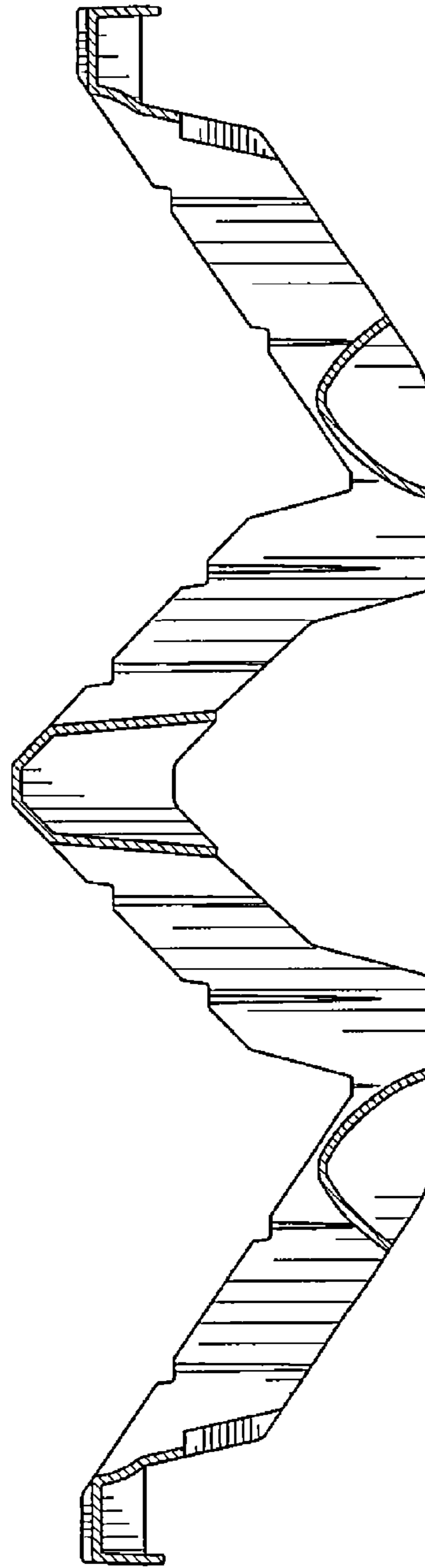


FIG. 7

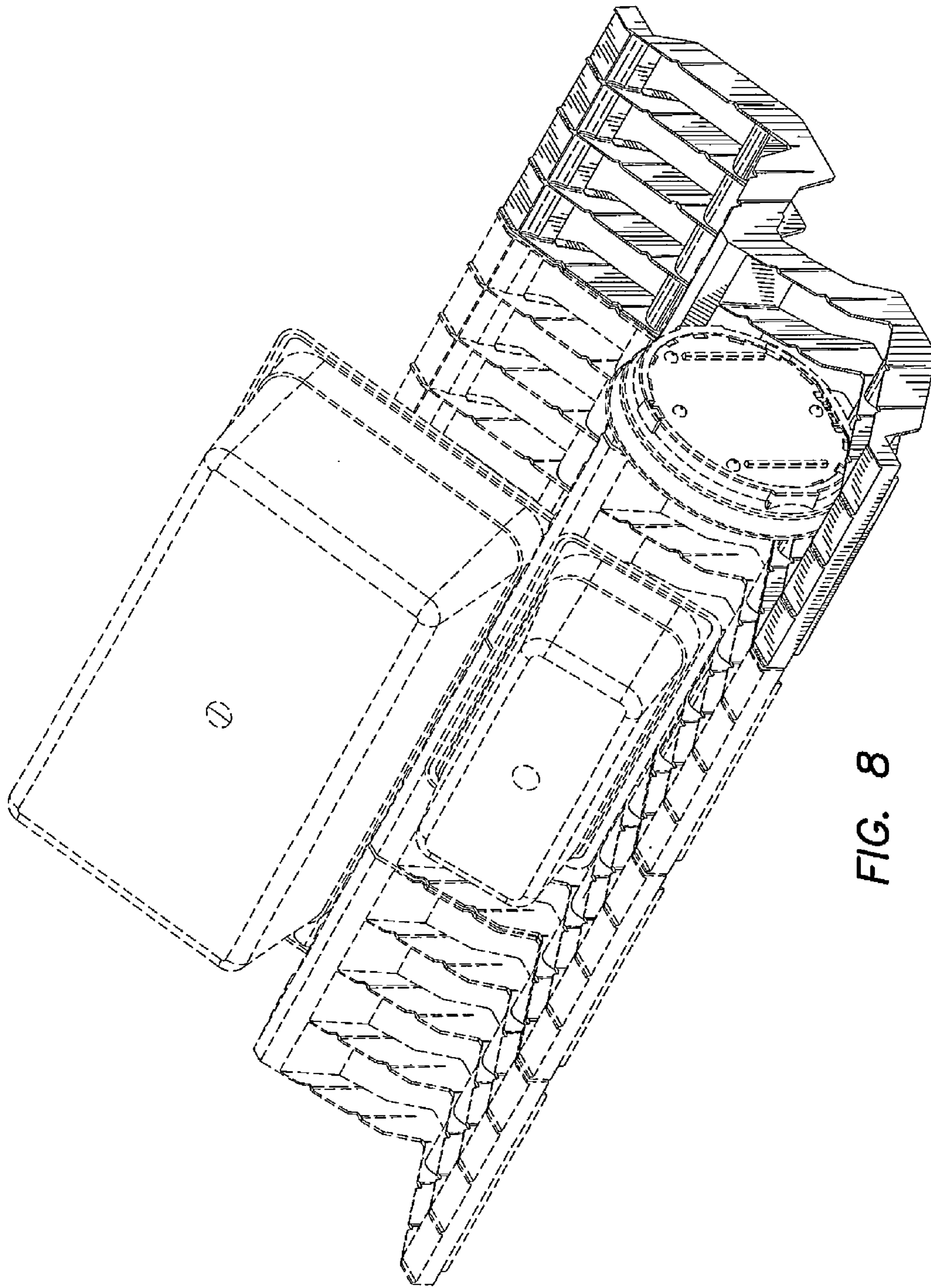


FIG. 8