

US00D739987S

(12) **United States Design Patent**
Bushaw

(10) **Patent No.:** **US D739,987 S**
(45) **Date of Patent:** **** Sep. 29, 2015**

- (54) **SURFACE CLEANING DEVICE**
- (71) Applicant: **NORILLA LLC**, Santa Fe Springs, CA
(US)
- (72) Inventor: **Scott Martin Bushaw**, La Habra, CA
(US)
- (73) Assignee: **NORILLA LLC**, Santa Fe Springs, CA
(US)

7,546,657 B2 6/2009 Gurley
 D660,181 S * 5/2012 Nowacek et al. D9/729
 8,225,928 B2 7/2012 Perrier et al.

(Continued)

FOREIGN PATENT DOCUMENTS

CN 203030594 7/2013
 EP 1160313 12/2001

(Continued)

OTHER PUBLICATIONS

International Search Report and Written Opinion for application No. PCT/US14/56648, which is a PCT application related to the present application, mailed on Mar. 3, 2015.

(Continued)

- (**) Term: **14 Years**
- (21) Appl. No.: **29/466,807**
- (22) Filed: **Sep. 11, 2013**
- (51) **LOC (10) Cl.** **08-99**
- (52) **U.S. Cl.**
USPC **D32/35**
- (58) **Field of Classification Search**
USPC D32/1, 6, 7, 27, 34, 35, 37, 42, 52, 53,
D32/55, 56, 58, 60, 67; D6/512, 513, 524,
D6/526, 547, 567, 573; D9/529, 687, 727,
D9/729; 115/105, 107, 111, 114, 118, 424;
239/104, 106, 112, 289

See application file for complete search history.

Primary Examiner — George D Kirschbaum
Assistant Examiner — Natasha Vujcic
 (74) *Attorney, Agent, or Firm* — Knobbe Martens Olson & Bear LLP

(57) **CLAIM**
 The ornamental design for a surface cleaning device, as shown and described.

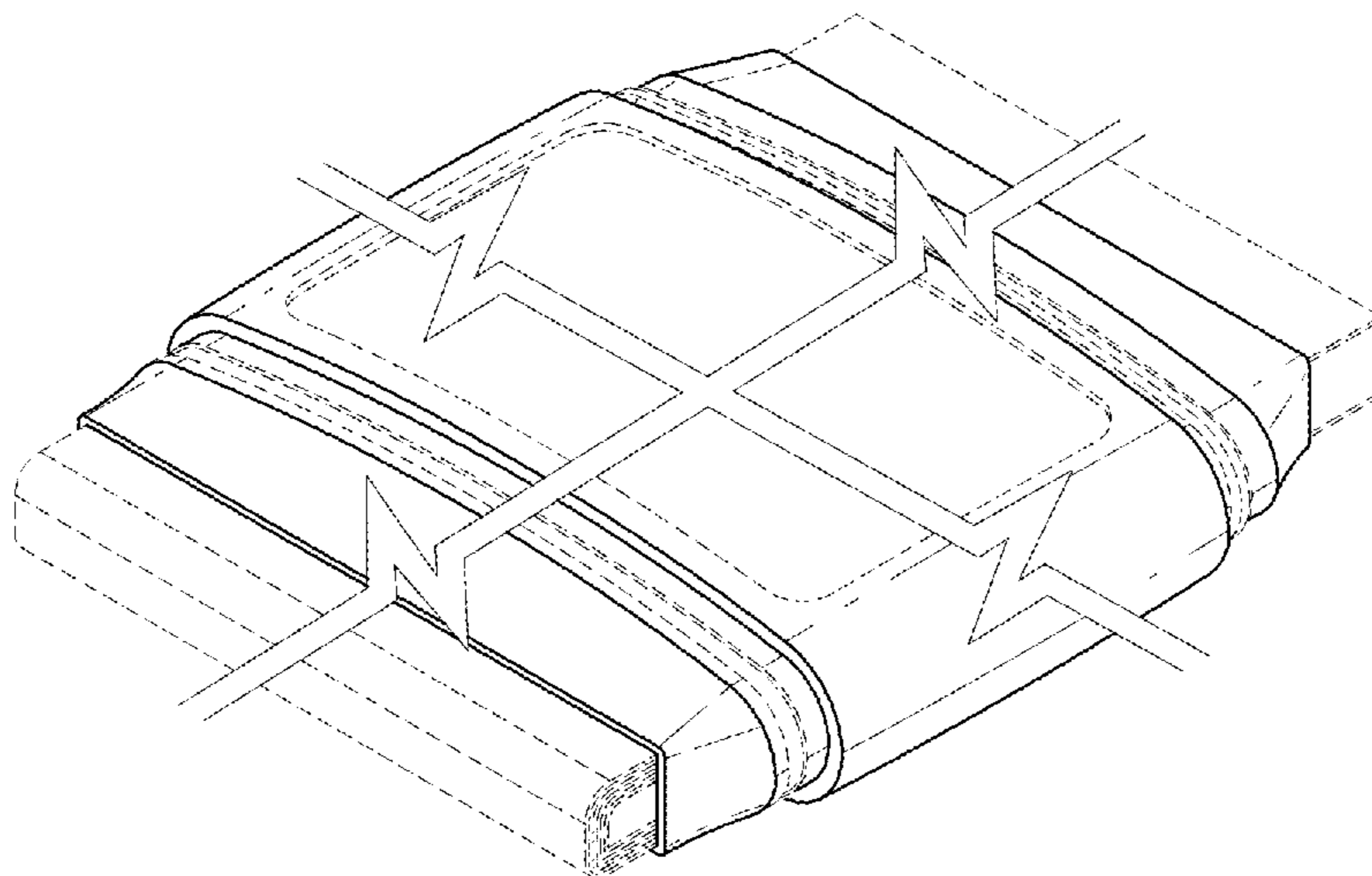
DESCRIPTION

FIG. 1 is a front perspective view of a surface cleaning device; FIG. 2 is a front view of the surface cleaning device, the back being a mirror image; FIG. 3 is a top view of the surface cleaning device; FIG. 4 is a bottom view of the surface cleaning device; and, FIG. 5 is a side view of the surface cleaning device, the opposite side being a mirror image. Broken lines are used to illustrate features of the surface cleaning device which form no part of the claimed design. The break lines indicate that the appearance of any portion of the surface cleaning device between the break lines forms no part of the claimed design.

(56) **References Cited**
U.S. PATENT DOCUMENTS

296,092	A	4/1884	Weed	
2,862,221	A	7/1955	Hume	
3,341,884	A	9/1967	Pryor	
D215,817	S *	11/1969	Gorman D9/687
4,043,683	A	8/1977	Costa et al.	
4,338,366	A	7/1982	Evans et al.	
D414,690	S *	10/1999	Hutchinson et al. D9/729
D415,020	S *	10/1999	Hutchinson et al. D9/729
D415,021	S *	10/1999	Hutchinson et al. D9/729
D541,161	S *	4/2007	Ames D9/529

1 Claim, 4 Drawing Sheets



(56)

References Cited

U.S. PATENT DOCUMENTS

D669,274	S *	10/2012	Meurrens	D32/35
8,281,735	B2	10/2012	Curtin	
8,493,714	B2	7/2013	Visser et al.	
D689,253	S *	9/2013	Stachowski et al.	D32/35
8,635,732	B2	1/2014	DeDominicis et al.	
D699,410	S *	2/2014	Stachowski et al.	D32/35
D705,509	S *	5/2014	Liu et al.	D32/35
2008/0244847	A1	10/2008	Richter et al.	
2009/0003921	A1	1/2009	Francavilla	
2010/0011524	A1	1/2010	Roebach et al.	
2010/0257681	A1	10/2010	Lin	
2012/0006911	A1 *	1/2012	Weng	239/289
2012/0138490	A1	6/2012	Hollander et al.	
2014/0059790	A1 *	3/2014	Bushaw et al.	15/118

FOREIGN PATENT DOCUMENTS

EP		1726373	11/2006
WO	WO 2009/029251		3/2009

WO	WO 2009/065128	5/2009
WO	WO 2013/009180	1/2013
WO	WO 2013/131111	9/2013

OTHER PUBLICATIONS

Photographs of product by Monster Cable Products, Inc., "Clean Touch." A printout of a webpage in which the Clean Touch product was offered for sale is also included. The printout indicates that the product was first offered for sale on Apr. 15, 2011; however, Applicant makes no representations as to the accuracy of this date or if the product has changed since that date. The printout was retrieved from *Amazon.com* on Apr. 2, 2015. The "publication date" of this reference is not readily available. Applicant requests that the Examiner review the reference as prior art. Applicant reserves the right to disqualify the reference as prior art if needed.

* cited by examiner

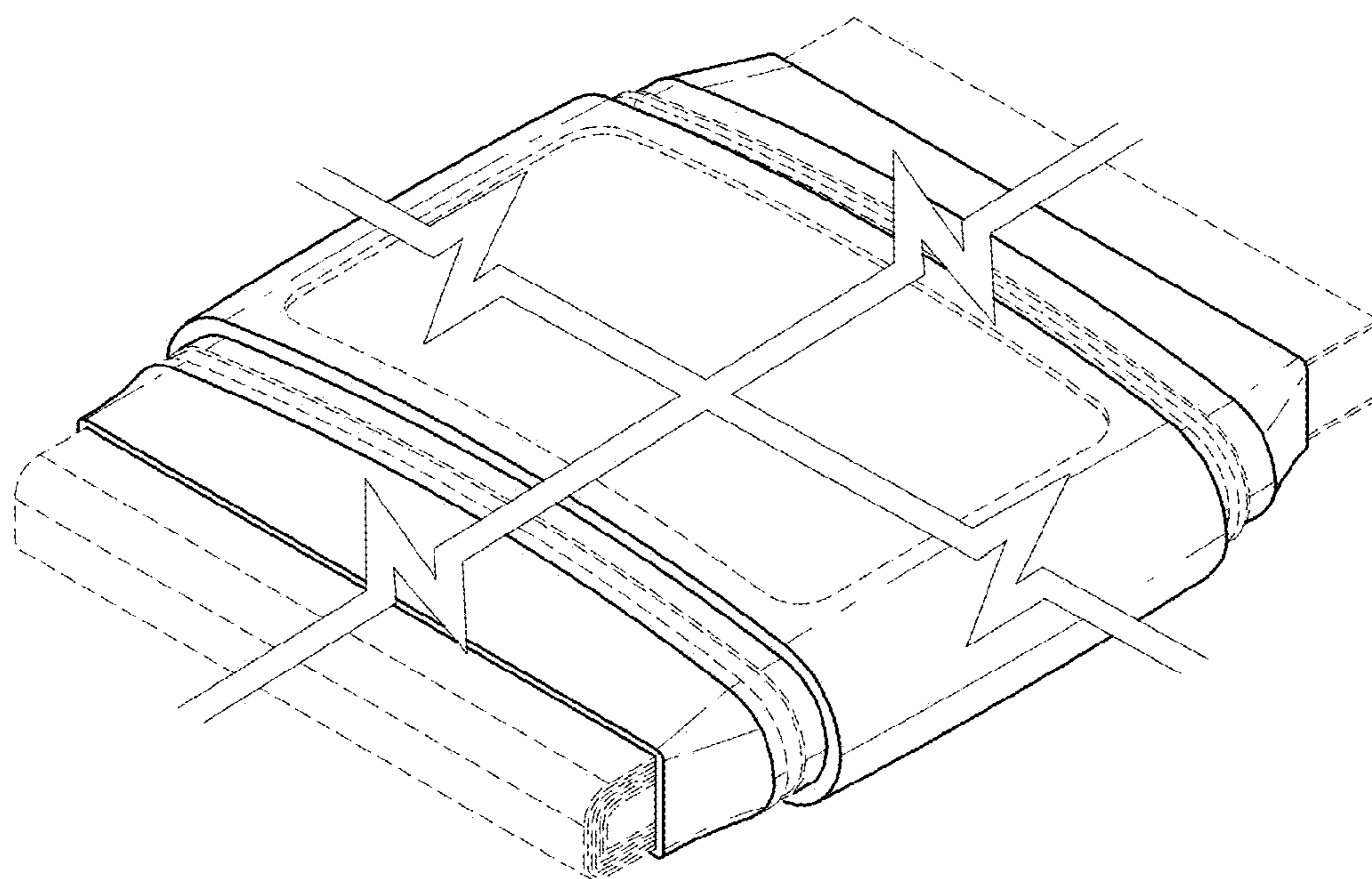


FIG. 1

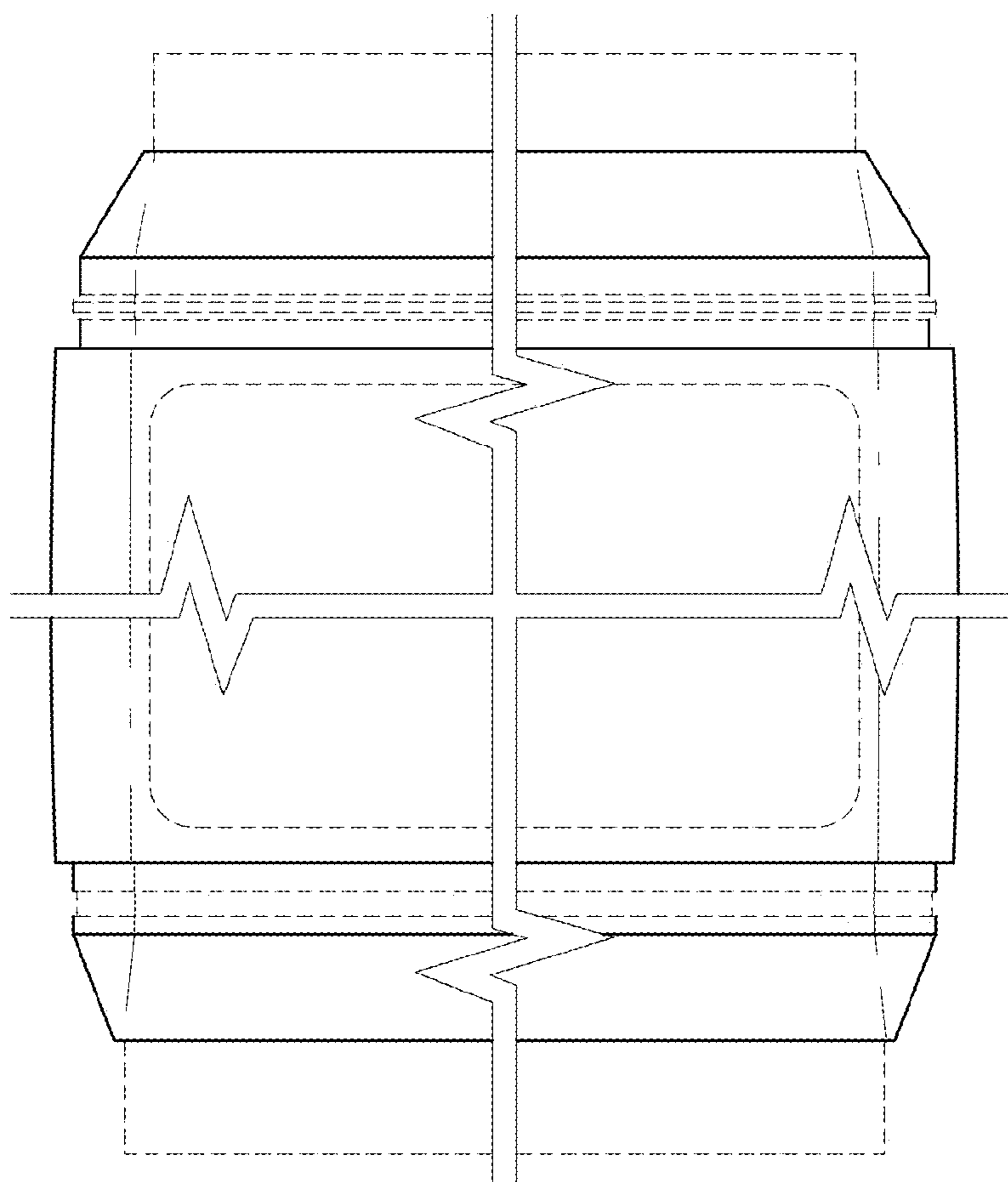


FIG. 2

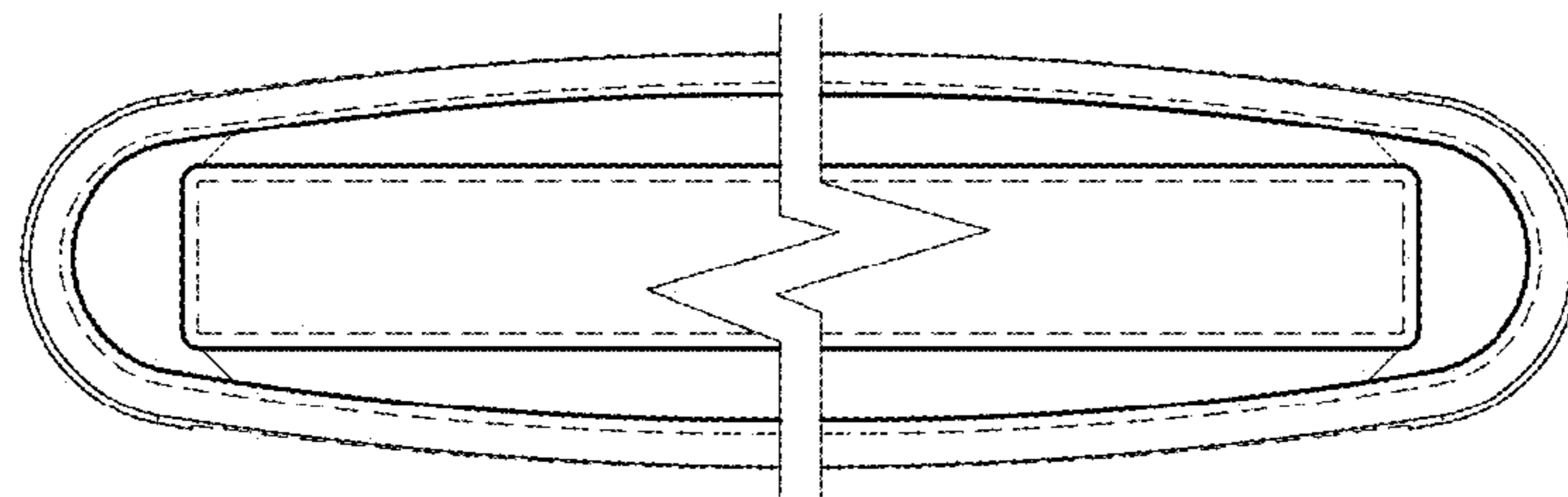


FIG. 3

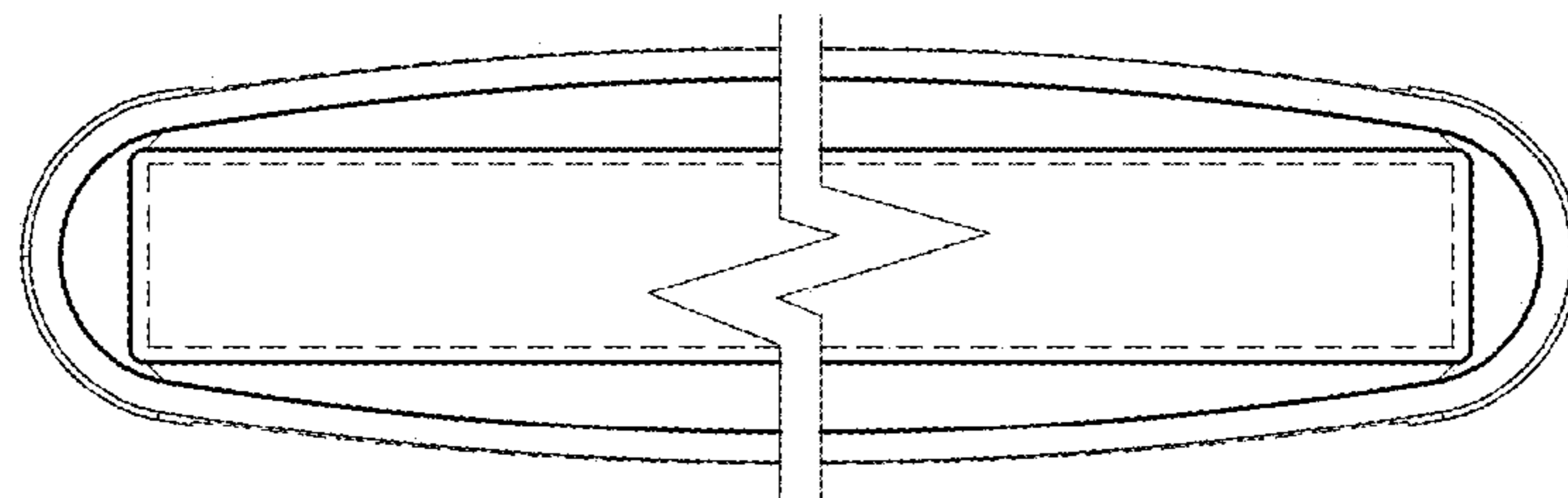


FIG. 4

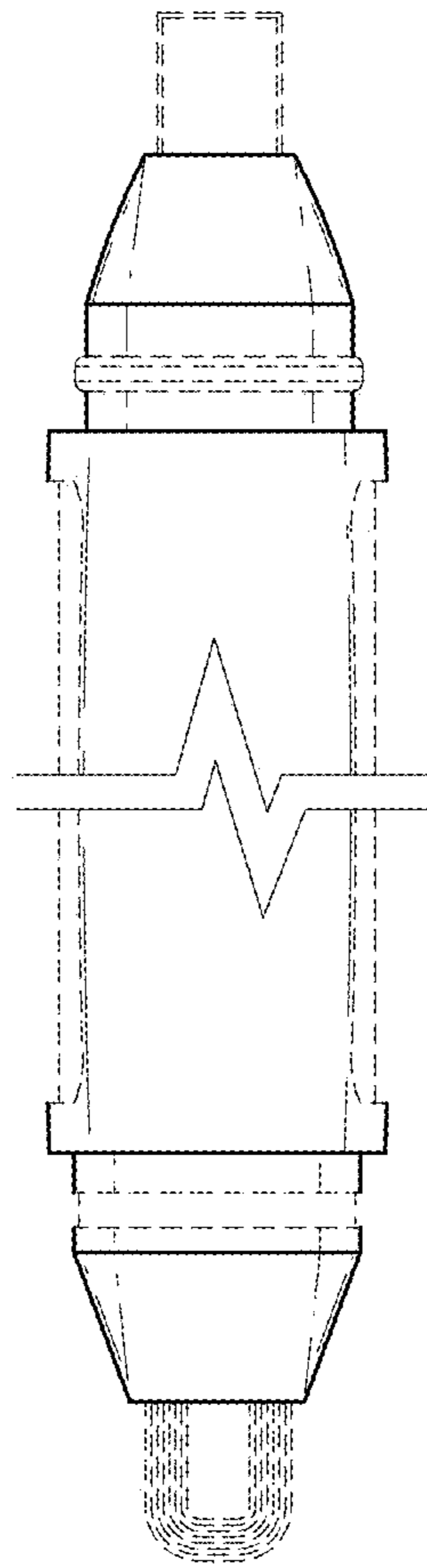


FIG. 5