



US00D739986S

(12) **United States Design Patent**
Sullivan et al.

(10) **Patent No.:** **US D739,986 S**

(45) **Date of Patent:** **** Sep. 29, 2015**

(54) **DUAL-SIDED LIVESTOCK GROOMING TOOL**

(71) Applicant: **SULLIVAN SUPPLY, INC.**, Dunlap, IA (US)

(72) Inventors: **John Sullivan**, Dunlap, IA (US); **Scott Kinzer**, Denison, IA (US)

(73) Assignee: **Sullivan Supply, Inc.**, Dunlap, IA (US)

(**) Term: **14 Years**

(21) Appl. No.: **29/472,298**

(22) Filed: **Nov. 11, 2013**

(51) **LOC (10) Cl.** **30-99**

(52) **U.S. Cl.**
USPC **D30/159**

(58) **Field of Classification Search**
USPC D30/158, 159, 199; D4/116, 130, 132, D4/134, 136, 199; 15/142; D28/31; 119/600, 601, 613, 618, 625, 632
CPC A46B 1/00; A46B 2200/10; A46B 2200/1093; A01K 13/00; A01K 13/002; A45D 24/00; A45D 24/02
See application file for complete search history.

(56) **References Cited**

U.S. PATENT DOCUMENTS

2,151,056 A * 3/1939 Stone 119/632
2,961,996 A * 11/1960 Oliver 119/600
D199,718 S * 12/1964 Adler D28/31
3,491,725 A * 1/1970 Maniscalco 119/625

D218,445 S * 8/1970 Lovvorn D30/159
3,838,474 A * 10/1974 Erickson 15/142
D266,112 S * 9/1982 Culp D30/159
4,970,990 A * 11/1990 Wilhelmi 119/601
D372,128 S * 7/1996 Beach et al. D4/116
5,655,482 A * 8/1997 Lundquist 119/625
6,199,513 B1 * 3/2001 Nichols 119/625
D619,309 S * 7/2010 Vandervoet D30/158
7,748,350 B2 * 7/2010 Vandervoet 119/618

* cited by examiner

Primary Examiner — Martie K Holtje

(74) *Attorney, Agent, or Firm* — Mueting, Raasch & Gebhardt, P.A.

(57) **CLAIM**

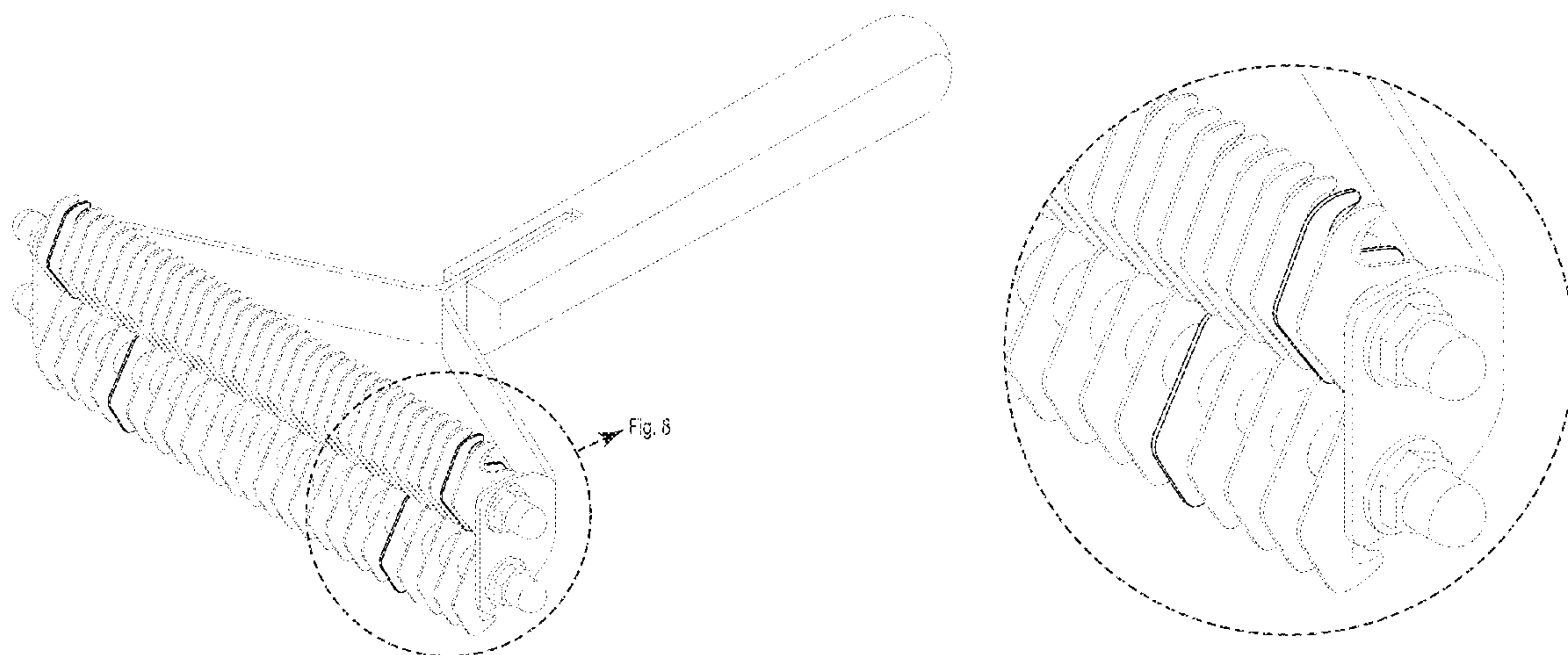
The ornamental design for a dual-sided livestock grooming tool, as shown and described.

DESCRIPTION

FIG. 1 is a top perspective view of a dual-sided livestock grooming tool showing our new design; FIG. 2 is a top plan view thereof; FIG. 3 is a bottom plan view thereof; FIG. 4 is a right side elevational view thereof; FIG. 5 is a front elevational view thereof; FIG. 6 is a rear elevational view thereof; FIG. 7 is a bottom perspective view thereof; and, FIG. 8 is an enlarged detail view of the encircled area in FIG. 1.

The structural features depicted by broken lines in the drawings have been shown for the purpose of illustrating portions of the dual-sided livestock grooming tool that form no part of the claimed design.

1 Claim, 8 Drawing Sheets



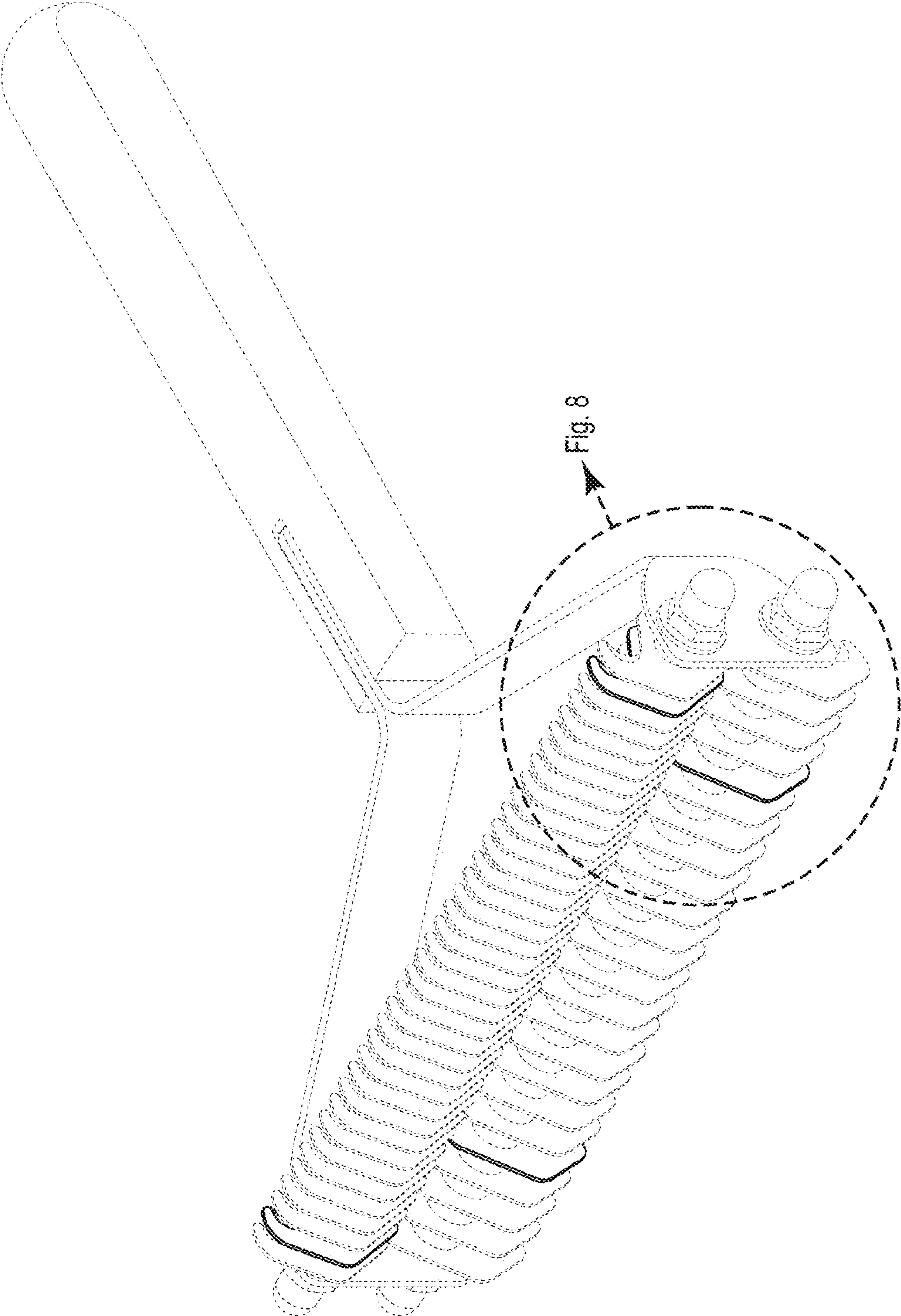


Fig. 1

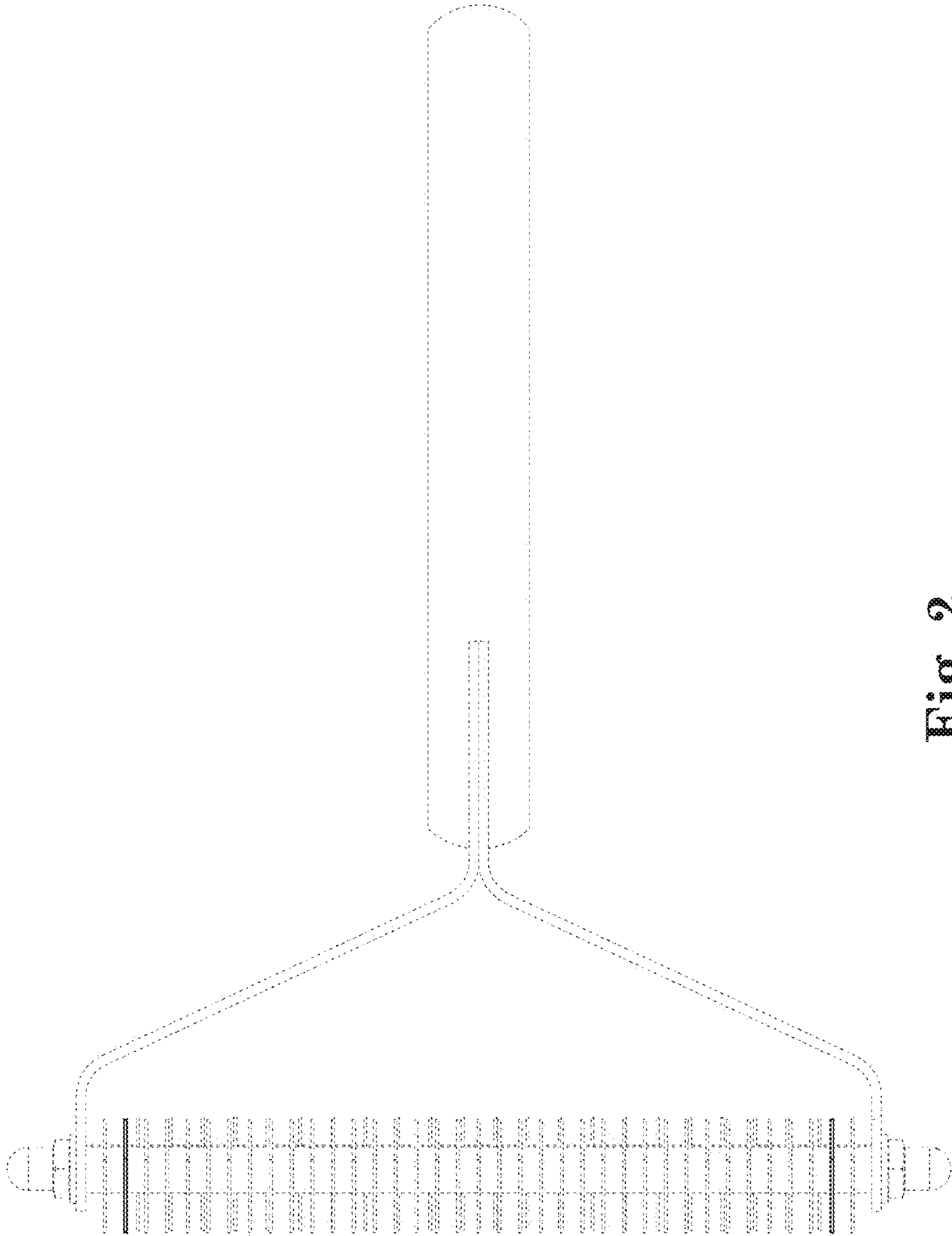


Fig. 2

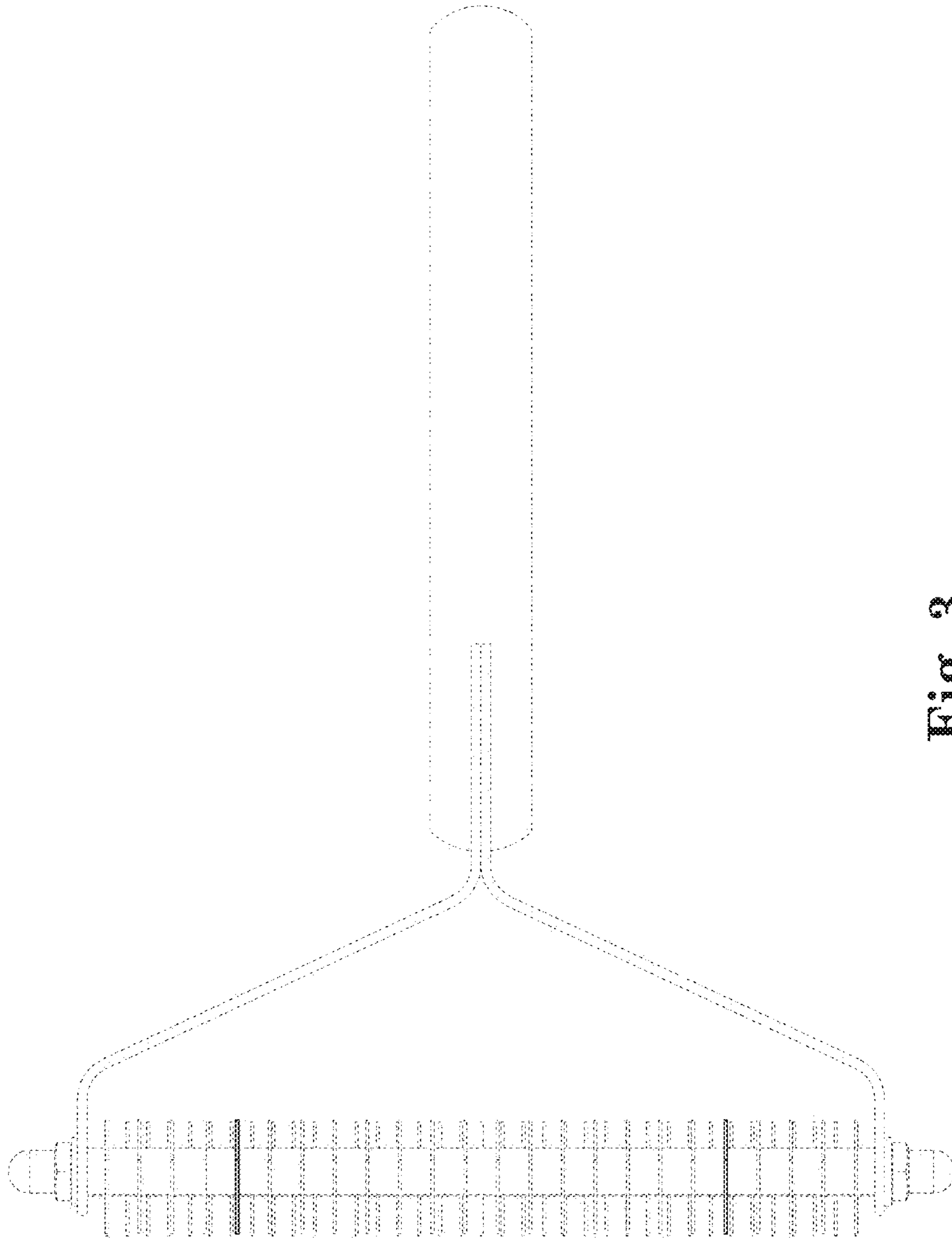


Fig. 3

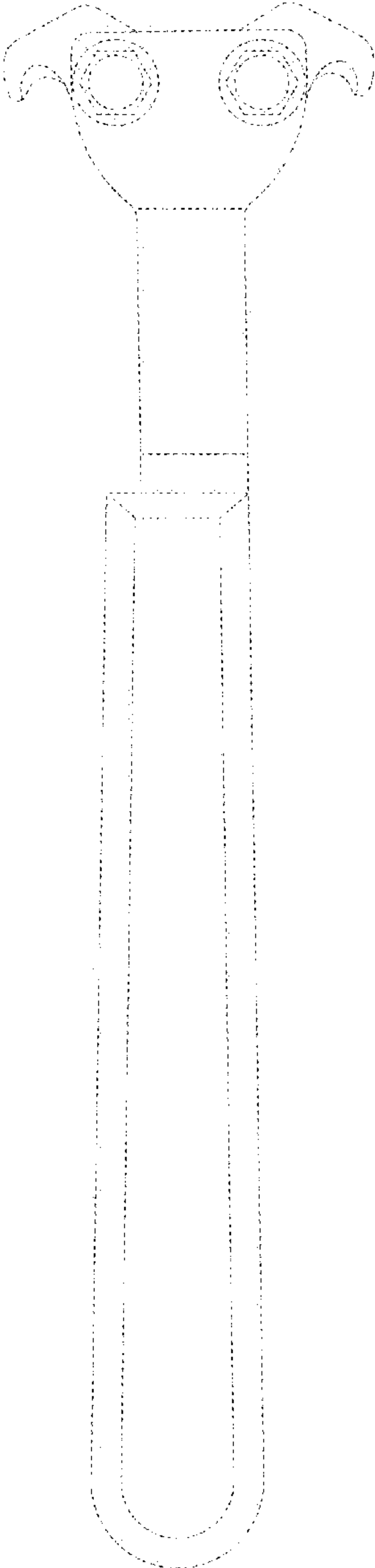


Fig. 4

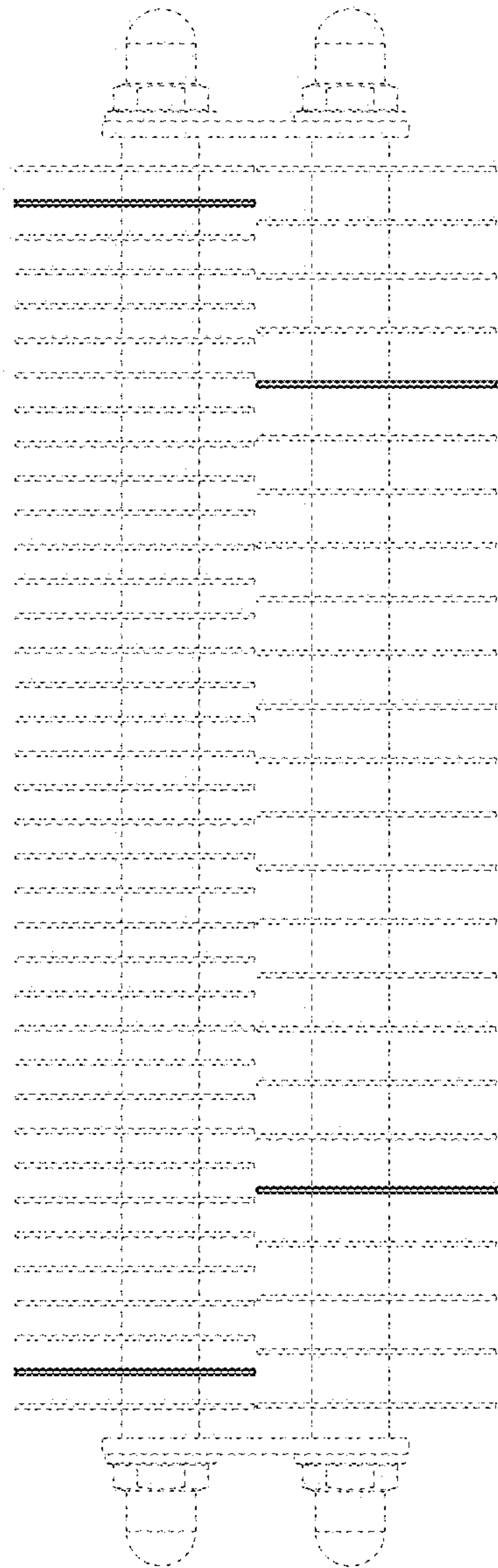


Fig. 5

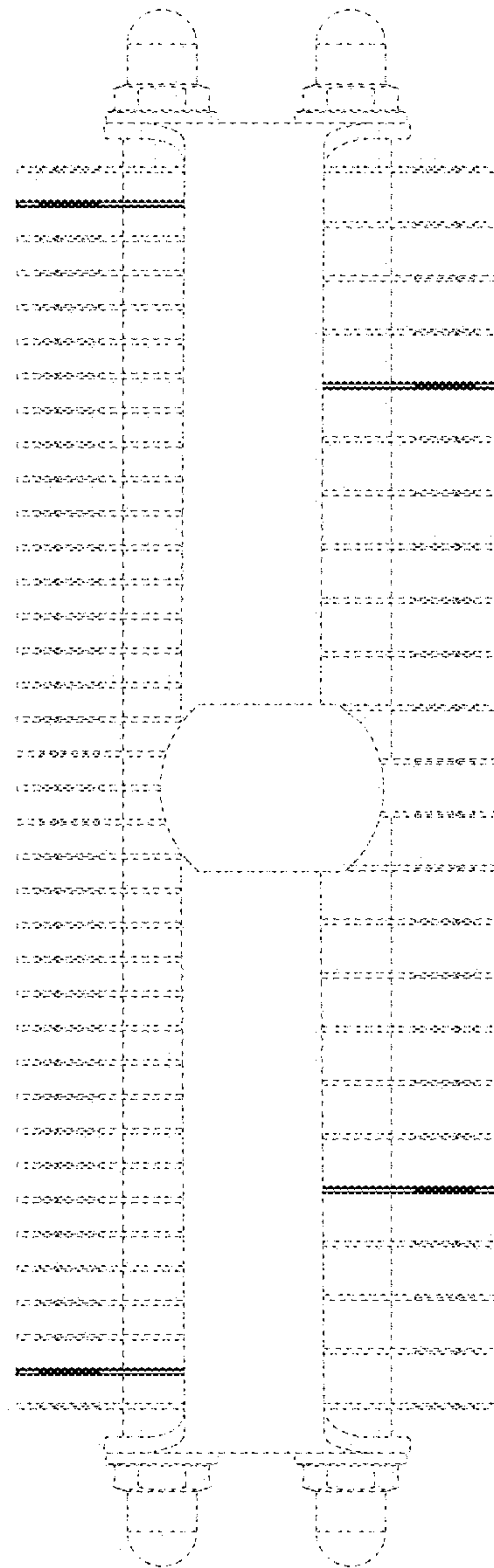


Fig. 6

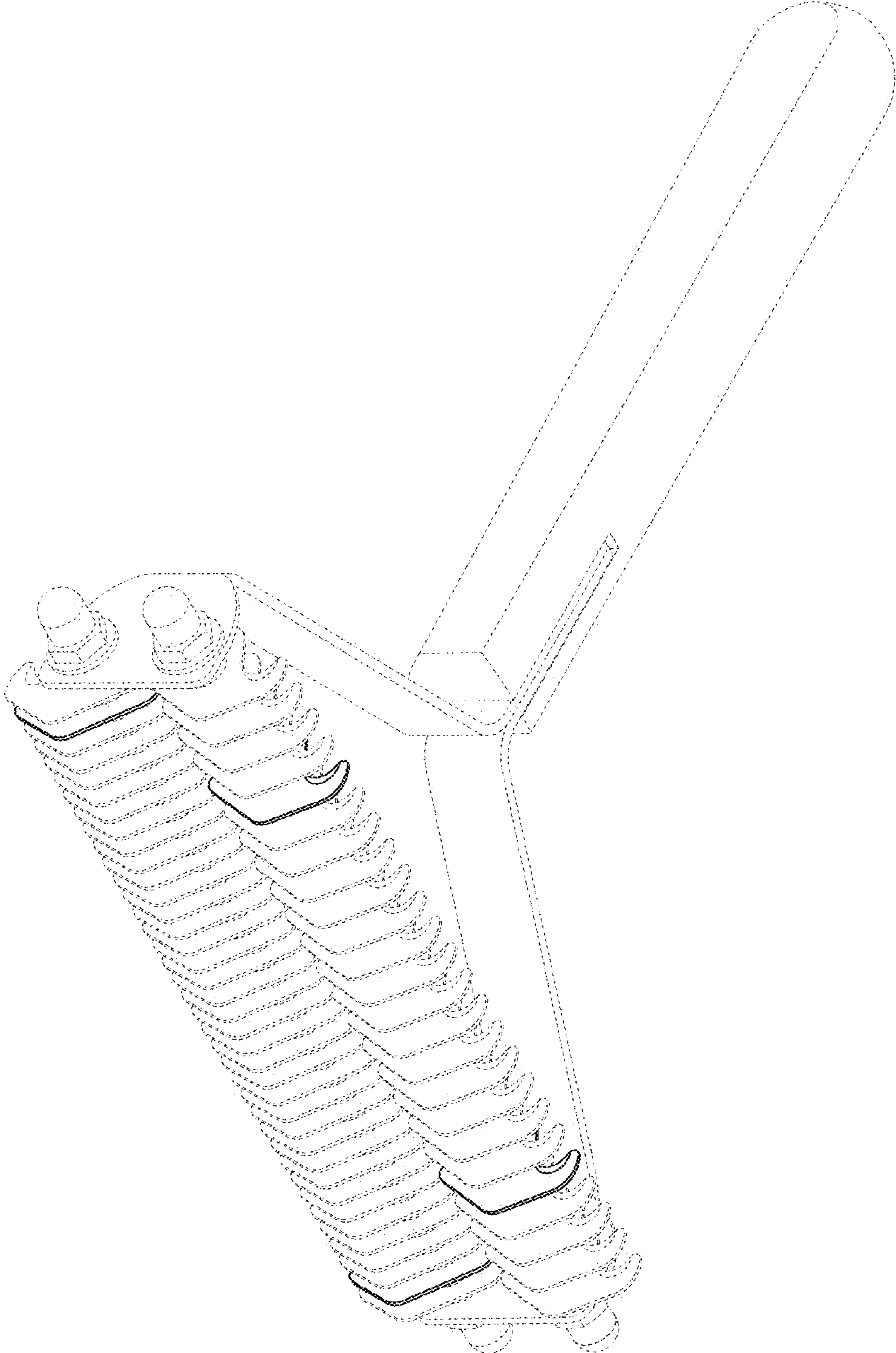


Fig. 7

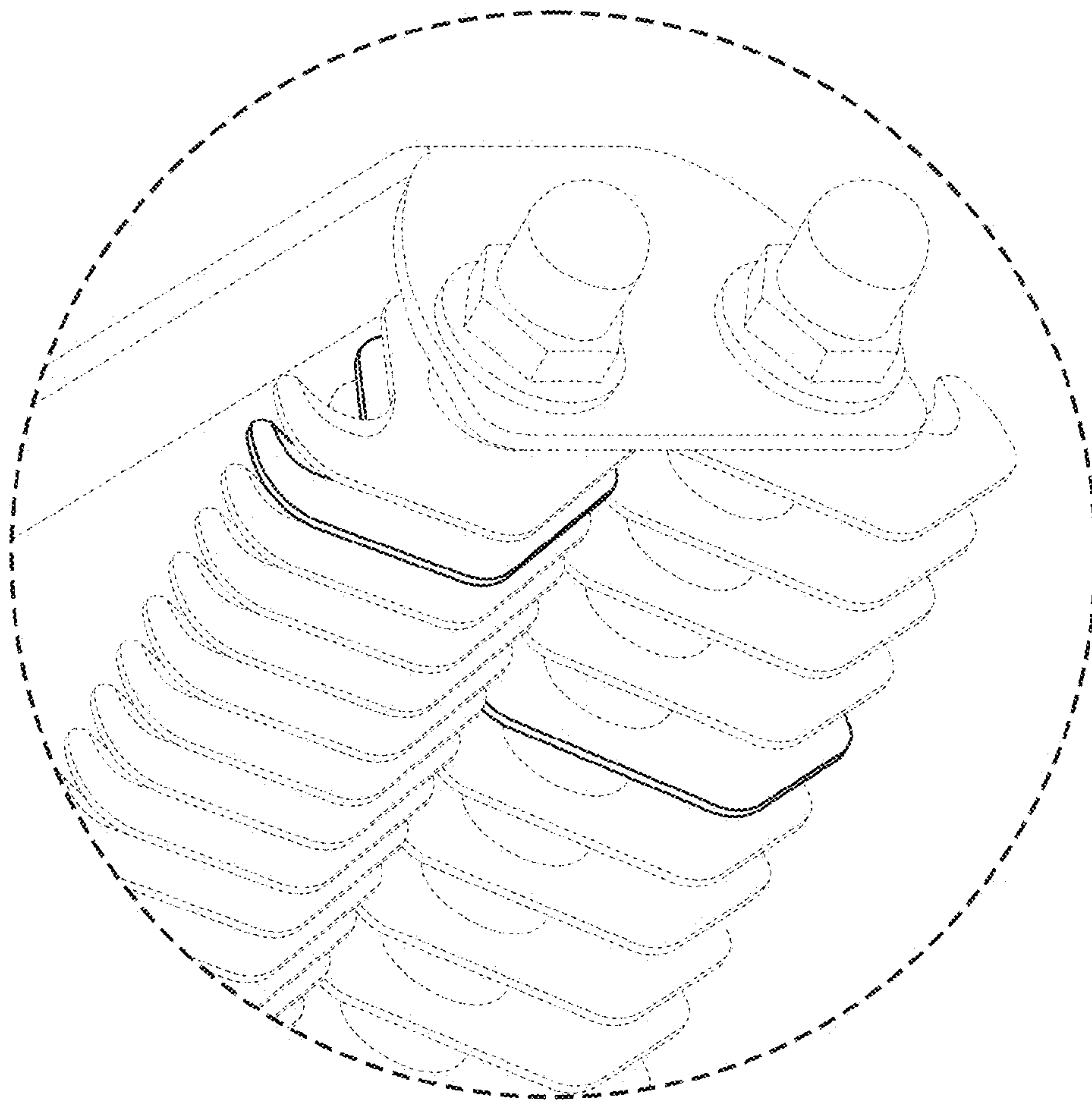


Fig. 8