



US00D739979S

(12) **United States Design Patent**  
**Smith**

(10) **Patent No.:** **US D739,979 S**

(45) **Date of Patent:** **\*\* Sep. 29, 2015**

(54) **VACUUM PIPE KIT**

(71) Applicant: **Barry Anderw Smith**, Media, PA (US)

(72) Inventor: **Barry Anderw Smith**, Media, PA (US)

(\*\*) Term: **14 Years**

(21) Appl. No.: **29/480,674**

(22) Filed: **Jan. 28, 2014**

(51) **LOC (10) Cl.** ..... **27-02**

(52) **U.S. Cl.**

USPC ..... **D27/163**

(58) **Field of Classification Search**

USPC ..... D27/100, 101, 163, 169, 172, 194, 167;  
131/270–273, 360–368, 329, 330;  
128/202.21; D23/360, 363

CPC ..... A24C 1/18; A24D 1/00; A61M 15/06;  
A24F 47/002; A24F 1/28; A24F 47/008

See application file for complete search history.

(56) **References Cited**

**U.S. PATENT DOCUMENTS**

D652,571 S *	1/2012	Shenassa et al.	.....	D27/163
D688,415 S *	8/2013	Kim	.....	D27/101
D688,416 S *	8/2013	Liu	.....	D27/101
8,955,522 B1 *	2/2015	Bowen et al.	.....	131/270
D724,782 S *	3/2015	Wu	.....	D27/101
D728,155 S *	4/2015	Liu	.....	D27/101
D729,441 S *	5/2015	Hua	.....	D27/101

2006/0272659 A1 *	12/2006	Kobal et al.	.....	131/187
2013/0180533 A1 *	7/2013	Kim et al.	.....	131/273
2014/0123989 A1 *	5/2014	LaMothe	.....	131/328

**OTHER PUBLICATIONS**

Solrac Pipe Co., "New Solrac Tobacco Pipe Mark 2 the Flat Glass", Marketing Flyer (1977).

\* cited by examiner

*Primary Examiner* — Susan Bennett Hattan

*Assistant Examiner* — Janice Hallmark

(74) *Attorney, Agent, or Firm* — Jerry Haynes Law

(57) **CLAIM**

The ornamental design for a vacuum pipe kit, as shown and described.

**DESCRIPTION**

FIG. 1 is a right side perspective view of a vacuum pipe kit, in an assembled configuration, showing the new design;

FIG. 2 is right side perspective view thereof, in a disassembled configuration;

FIG. 3 is a rear view thereof, in an assembled configuration;

FIG. 4 is a front view thereof;

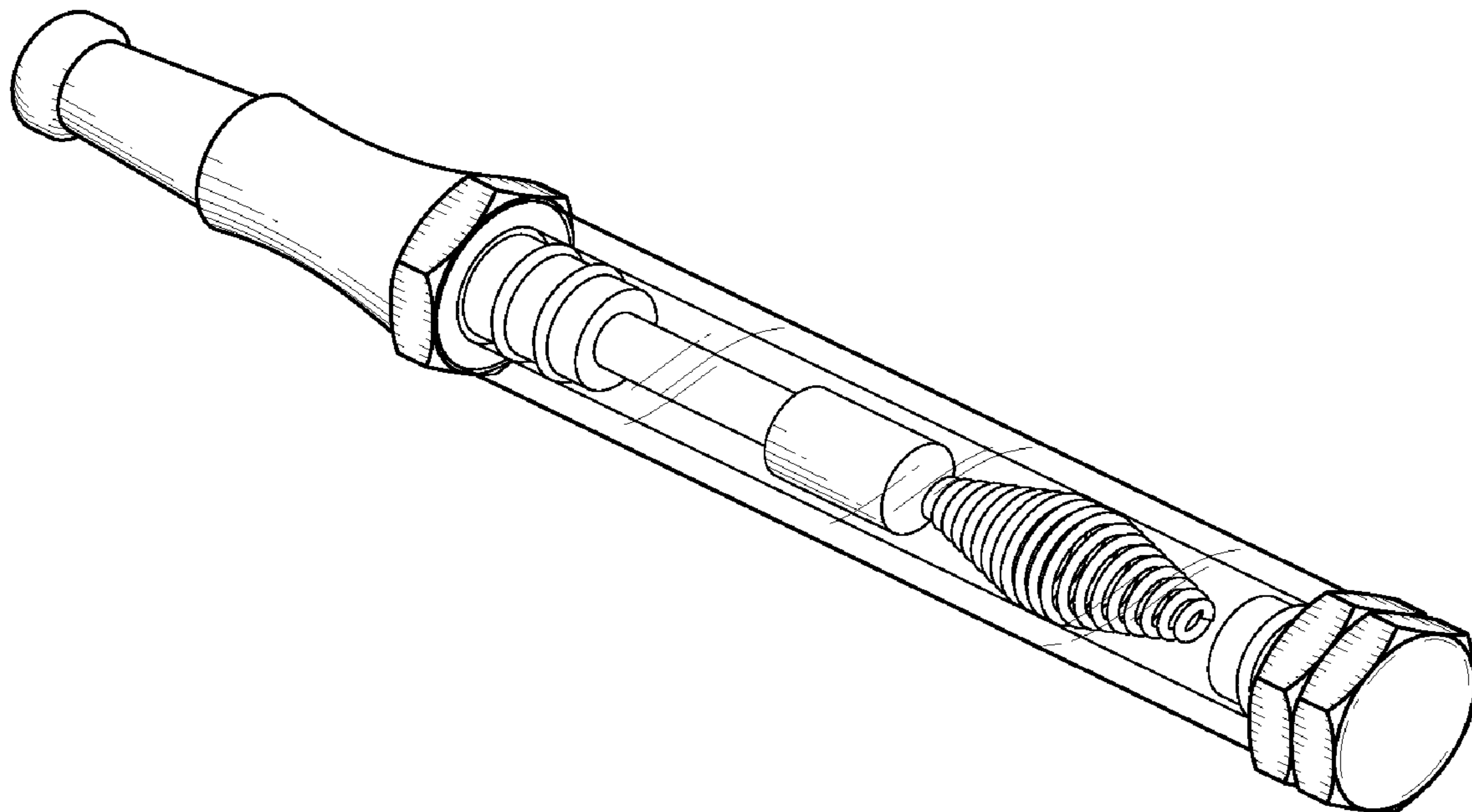
FIG. 5 is a top view thereof;

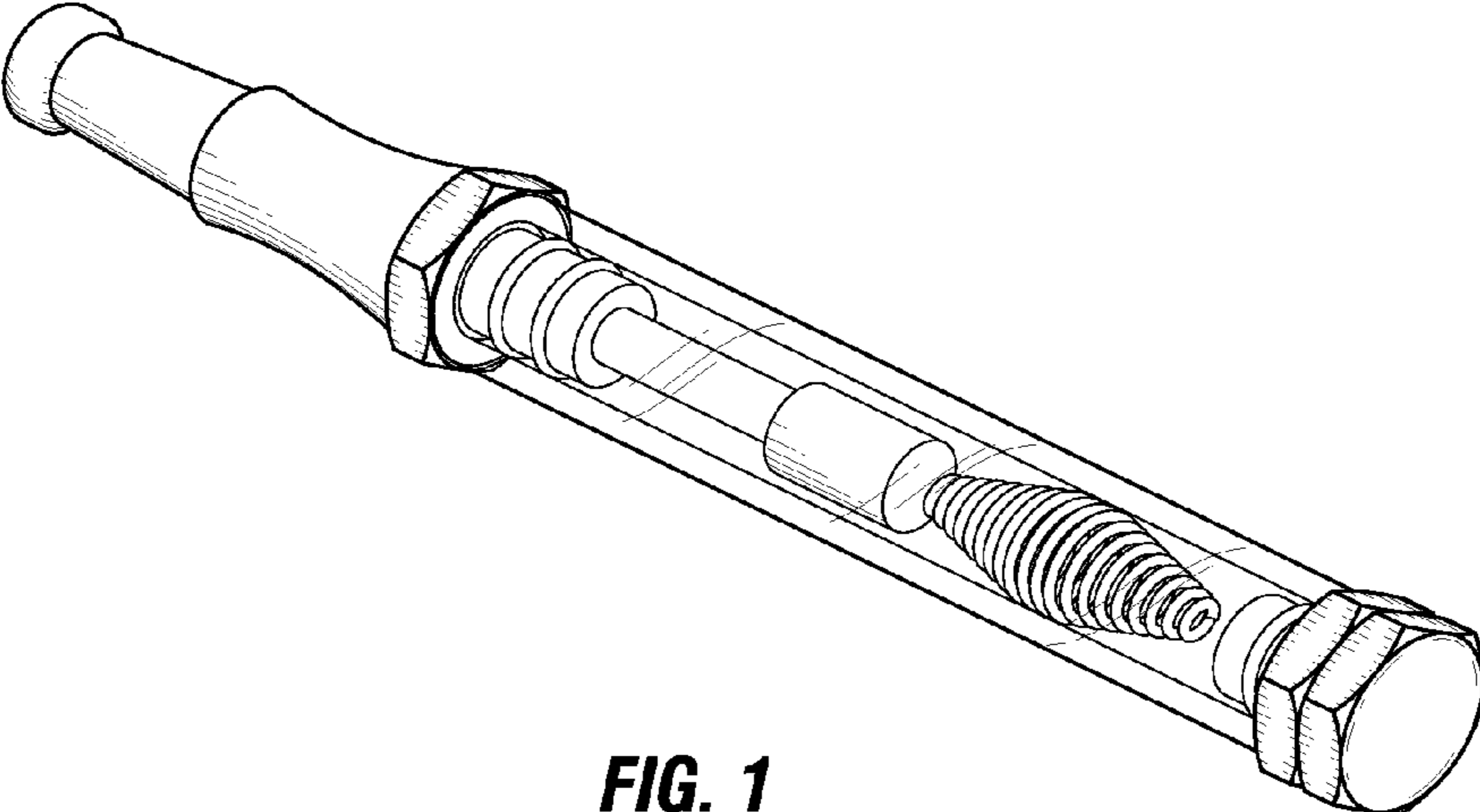
FIG. 6 is a bottom view thereof;

FIG. 7 is a left side view thereof; and,

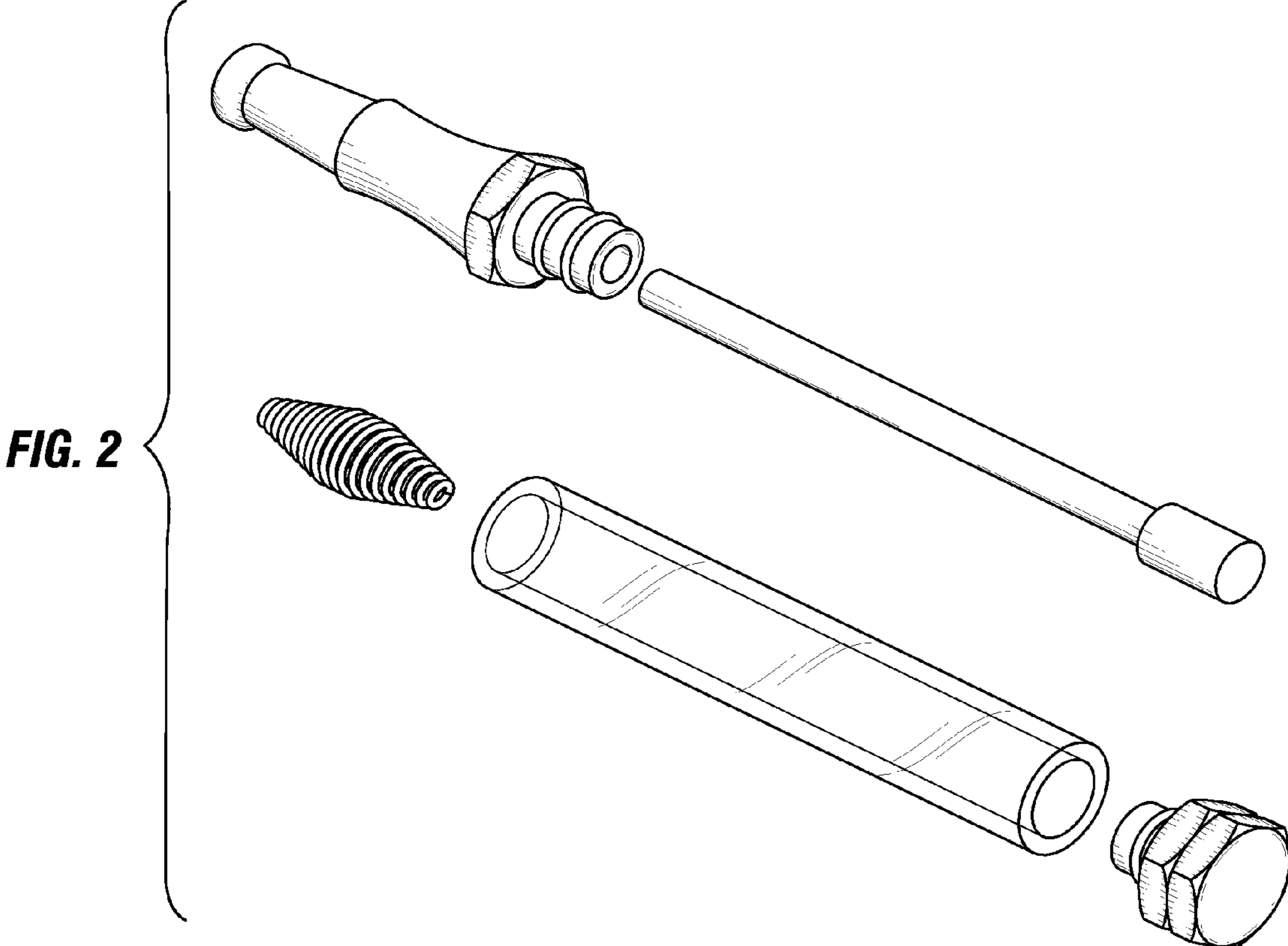
FIG. 8 is right side view thereof.

**1 Claim, 3 Drawing Sheets**

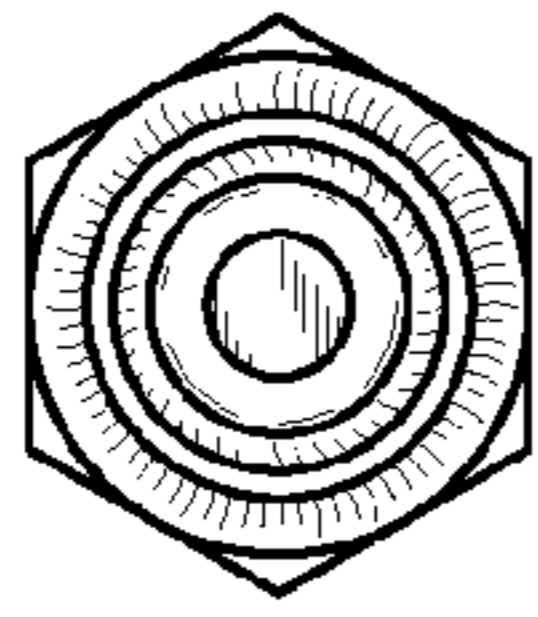




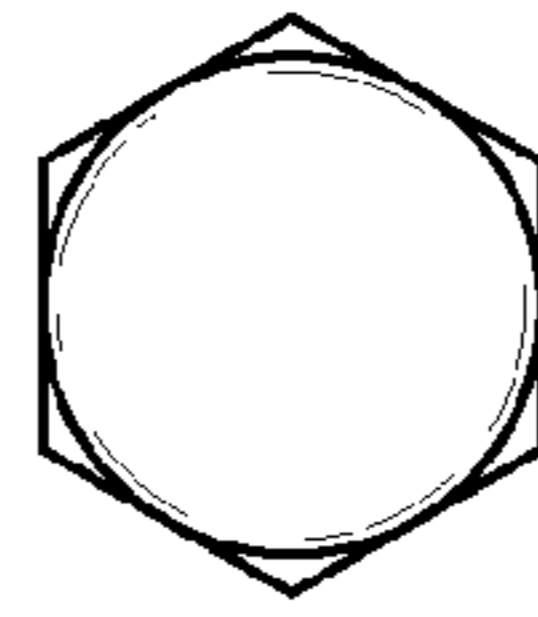
**FIG. 1**



**FIG. 2**



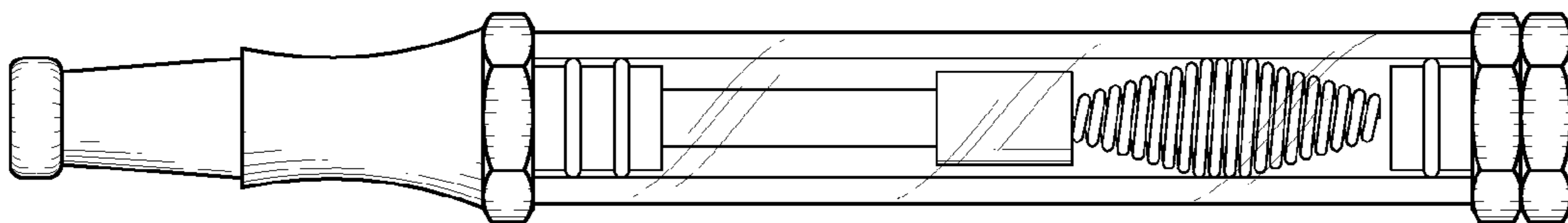
**FIG. 3**



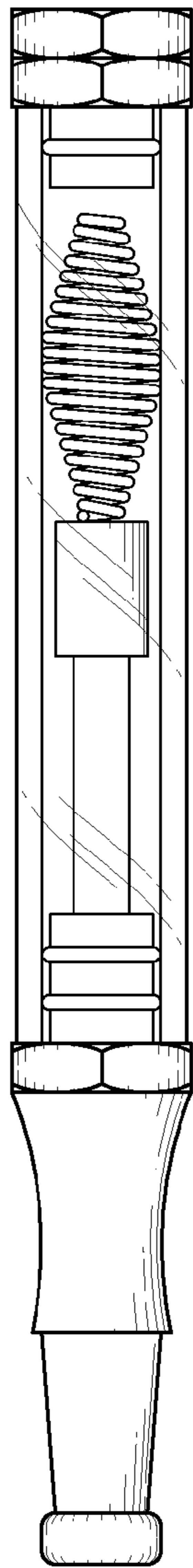
**FIG. 4**



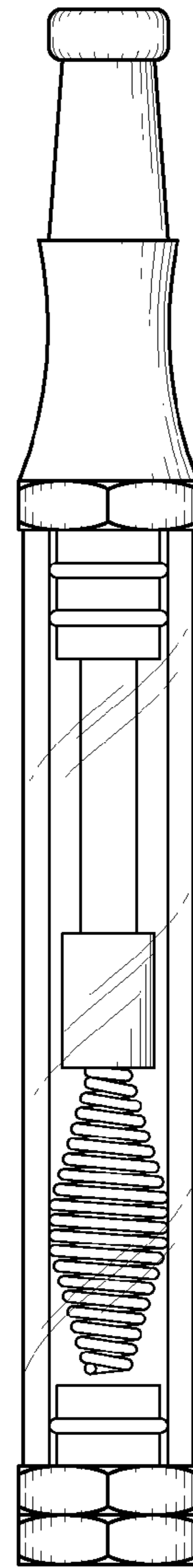
**FIG. 5**



**FIG. 6**



**FIG. 7**



**FIG. 8**