



US00D739978S

(12) **United States Design Patent**
Oliveras

(10) **Patent No.:** **US D739,978 S**

(45) **Date of Patent:** **** Sep. 29, 2015**

(54) **ONE-PIECE COVER FOR A COMPACT FLUORESCENT LIGHT BULB**

(71) Applicant: **Rene-Martin Oliveras**, Florham Park, NJ (US)

(72) Inventor: **Rene-Martin Oliveras**, Florham Park, NJ (US)

(**) Term: **14 Years**

(21) Appl. No.: **29/461,305**

(22) Filed: **Jul. 22, 2013**

(51) **LOC (10) Cl.** **26-99**

(52) **U.S. Cl.**
USPC **D26/118**

(58) **Field of Classification Search**
USPC D26/24-26, 51, 56, 57, 61, 72-91,
D26/92-102, 108, 109, 113, 118, 204;
362/3, 11, 12, 16, 145, 147-150,
362/217.01-217.12, 257, 265, 291, 294,
362/296.01, 296.09, 308, 317, 327, 328,
362/335, 362-368, 373, 404, 407, 412, 416,
362/455, 558, 563, 564, 576, 805-809, 811,
362/134, 153, 154, 186, 189, 207;
D21/343, 352, 465, 467, 483, 484,
D21/499; D11/131, 142-153

See application file for complete search history.

(56) **References Cited**

U.S. PATENT DOCUMENTS

D109,740 S * 5/1938 Stewart D26/137
2,570,625 A * 10/1951 Zimmerman et al. 434/403

(Continued)

OTHER PUBLICATIONS

White Cotton Drum Cylinder Shade, LampsPlus.com, first reviewed on Nov. 4, 2009, online. Site visited Jun. 25, 2014. Internet URL:<"http://www.lampsplus.com/products/white-cotton-drum-cylinder-shade-8x8x11-spider_00107.html#read-reviews-tab">.*

(Continued)

Primary Examiner — Cynthia Ramirez
Assistant Examiner — Llorelys Martinez-Rivera

(57) **CLAIM**

The ornamental design for a one-piece cover for a compact fluorescent light bulb, as shown and described.

DESCRIPTION

FIG. 1 is a top plan view of a one-piece cover for a compact fluorescent light bulb showing a first embodiment of my new design;

FIG. 2 is a bottom view thereof;

FIG. 3 is a left side view thereof;

FIG. 4 is a right side view thereof;

FIG. 5 is a front view thereof;

FIG. 6 is a rear view thereof;

FIG. 7 is a right cross-section view thereof; taken along line 7-7;

FIG. 8 is a top cross-section view thereof; taken along line 8-8;

FIG. 9 is a rear view thereof, showing a second embodiment of my new design; the top, bottom, left, right, and front views appearing identically to those of the first embodiment;

FIG. 10 is a right cross-section view thereof; taken along line 10-10;

FIG. 11 is a top cross-section view thereof; taken along line 11-11;

FIG. 12 is a rear view thereof, showing a third embodiment of my new design; the top, bottom, left, right, and front views appearing identically to those of the first embodiment;

FIG. 13 is a right cross-section view thereof; taken along line 13-13;

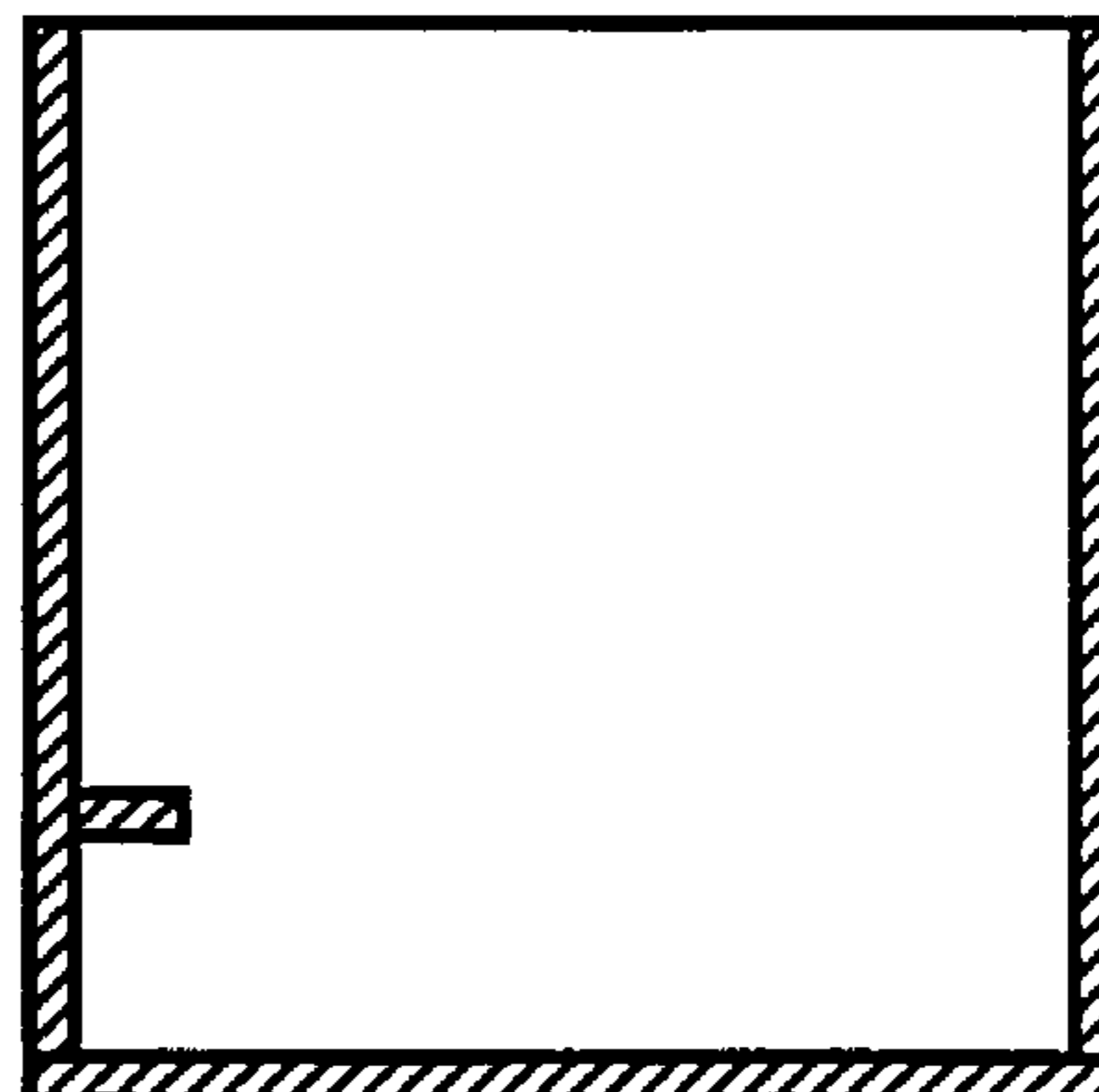
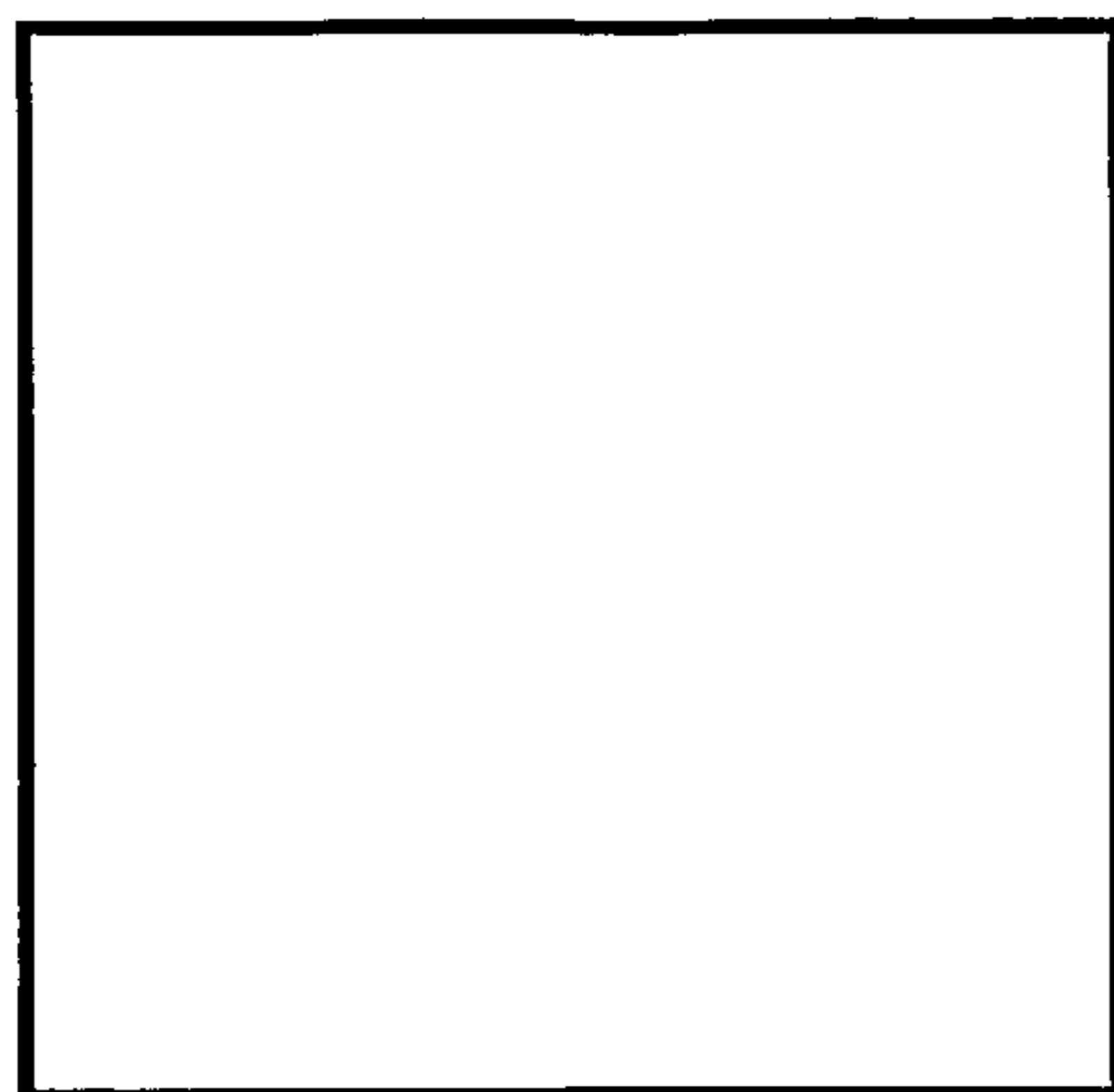
FIG. 14 is a top cross-section view thereof; taken along line 14-14;

FIG. 15 is a rear view thereof, showing a fourth embodiment of my new design; the top, bottom, left, right, and front views appearing identically to those of the first embodiment;

FIG. 16 is a right cross-section view thereof; taken along line 16-16; and,

FIG. 17 is a top cross-section view thereof; taken along line 17-17.

1 Claim, 5 Drawing Sheets



(56)

References Cited

U.S. PATENT DOCUMENTS

D177,631 S * 5/1956 Lagin D26/105
 3,309,893 A * 3/1967 Heffler et al. 206/205
 3,579,859 A * 5/1971 Malenge 40/437
 3,998,350 A * 12/1976 Massac 220/565
 D244,875 S * 6/1977 Baca D26/105
 4,185,125 A * 1/1980 Sakakibara et al. 426/439
 4,618,924 A * 10/1986 Hinds 700/86
 4,631,453 A * 12/1986 DeSouza et al. 315/340
 4,838,794 A * 6/1989 Coddington 434/403
 5,139,453 A * 8/1992 Aiken et al. 434/259
 5,943,836 A * 8/1999 Kassardjian 248/523
 D455,335 S * 4/2002 Cort D8/374
 6,550,936 B2 * 4/2003 Foley 362/154
 D489,642 S * 5/2004 Brumlow D11/143
 D567,401 S * 4/2008 Mason, II D26/24
 D568,418 S * 5/2008 Webster D21/499

D575,444 S * 8/2008 Lissoni D26/137
 8,002,429 B2 * 8/2011 Ambroggio et al. 362/154
 D659,281 S * 5/2012 Patkus et al. D26/137
 D683,494 S * 5/2013 Verdin D26/137
 D704,278 S * 5/2014 Rezero D21/484
 2004/0212987 A1 * 10/2004 Lu 362/154
 2010/0296273 A1 * 11/2010 Lien 362/154

OTHER PUBLICATIONS

Ceiling MERA LED, rengl.com, published Sep. 16, 2013, online. Site visited Jun. 25, 2014. Internet URL:<“http://rengl.com/mera-led/”>.*

Lamp/light bulb wrapping Paper Tube With Plastic Well Word Cover, Alibaba.com, online. Site visited Jun. 25, 2014. Internet URL:<“http://www.alibaba.com/product-detail/lamp-light-bulb-wrapping-Paper-Tube_661595373.html”>.*

* cited by examiner

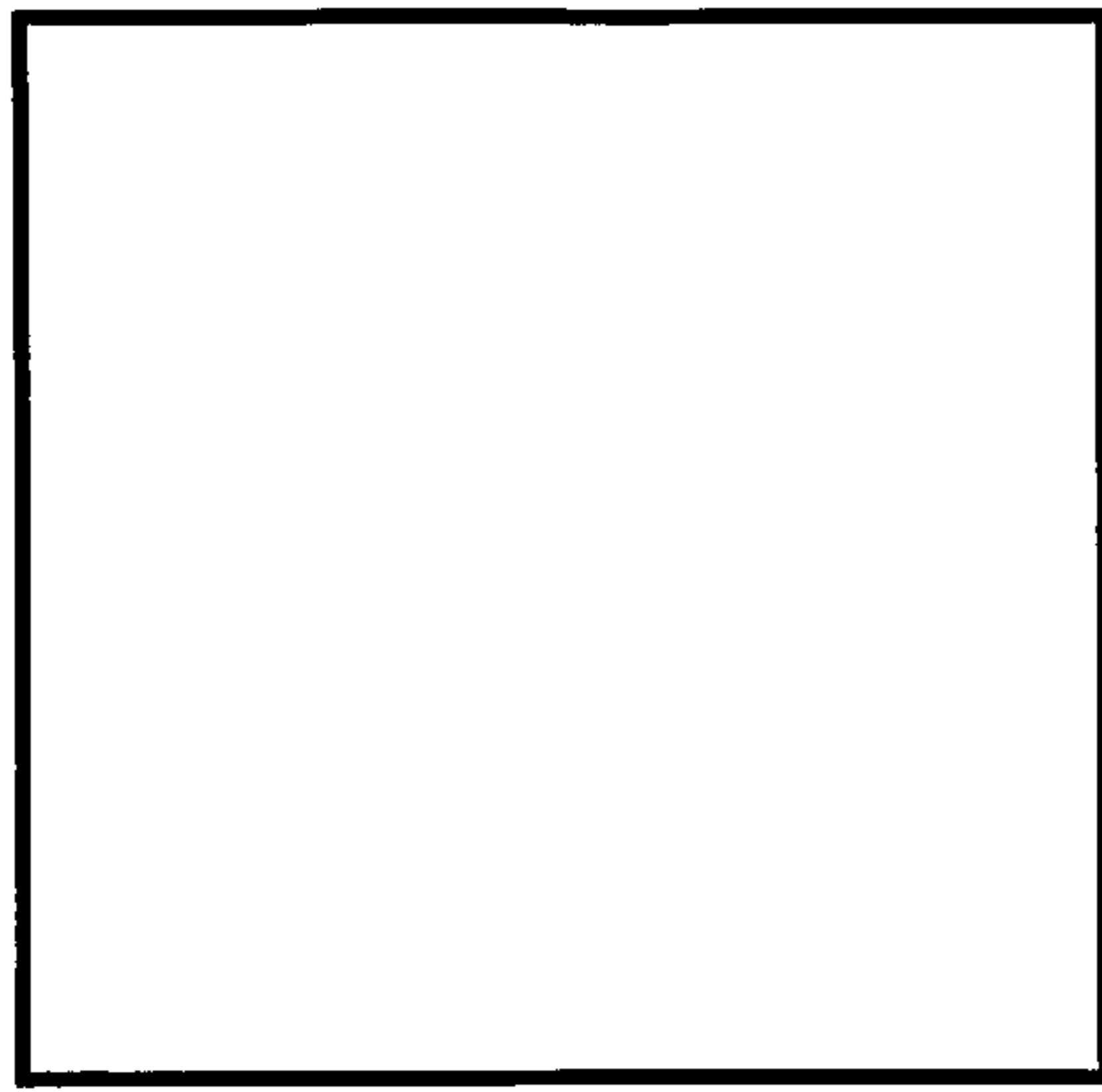


FIG. 1

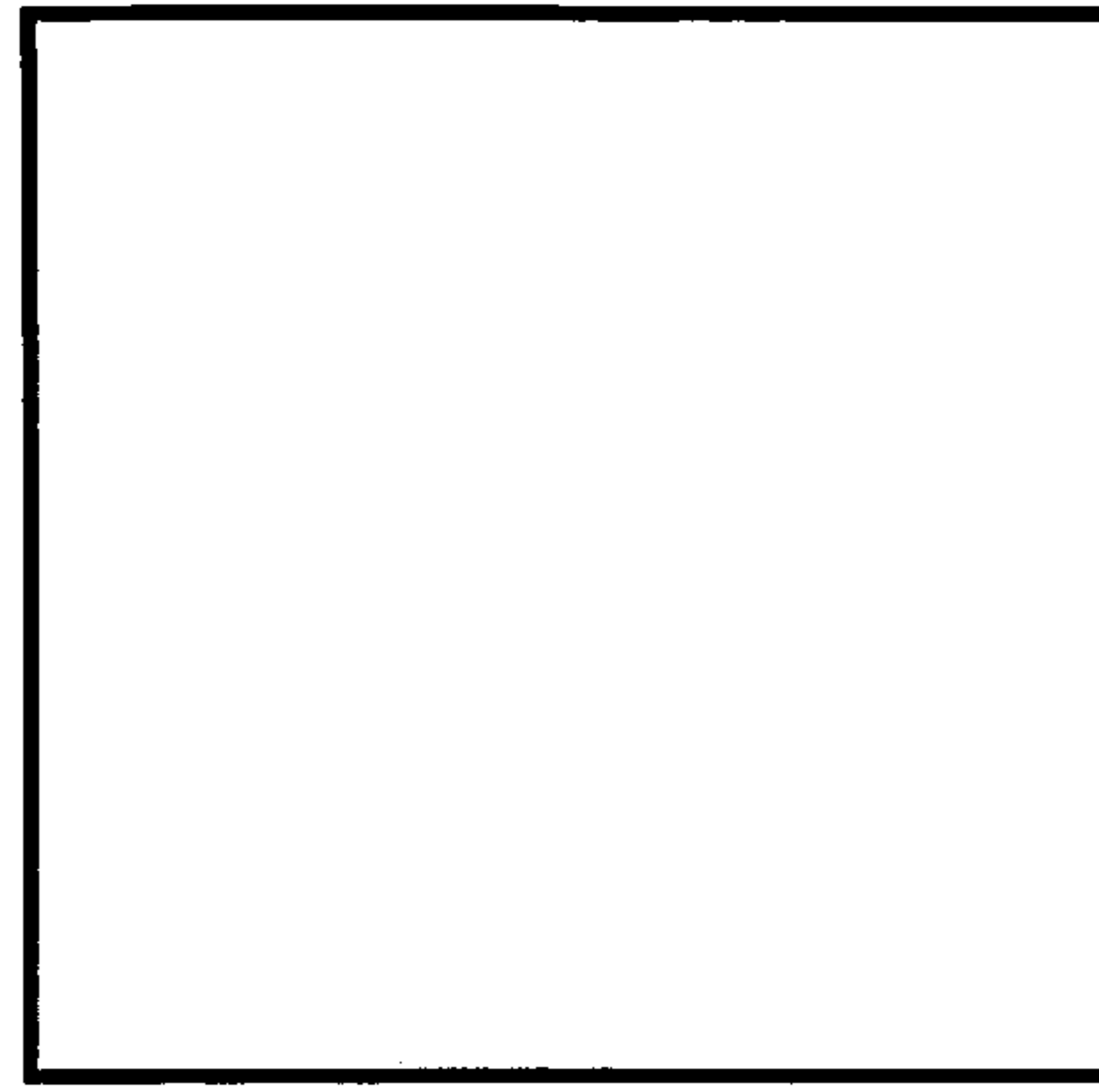


FIG. 2

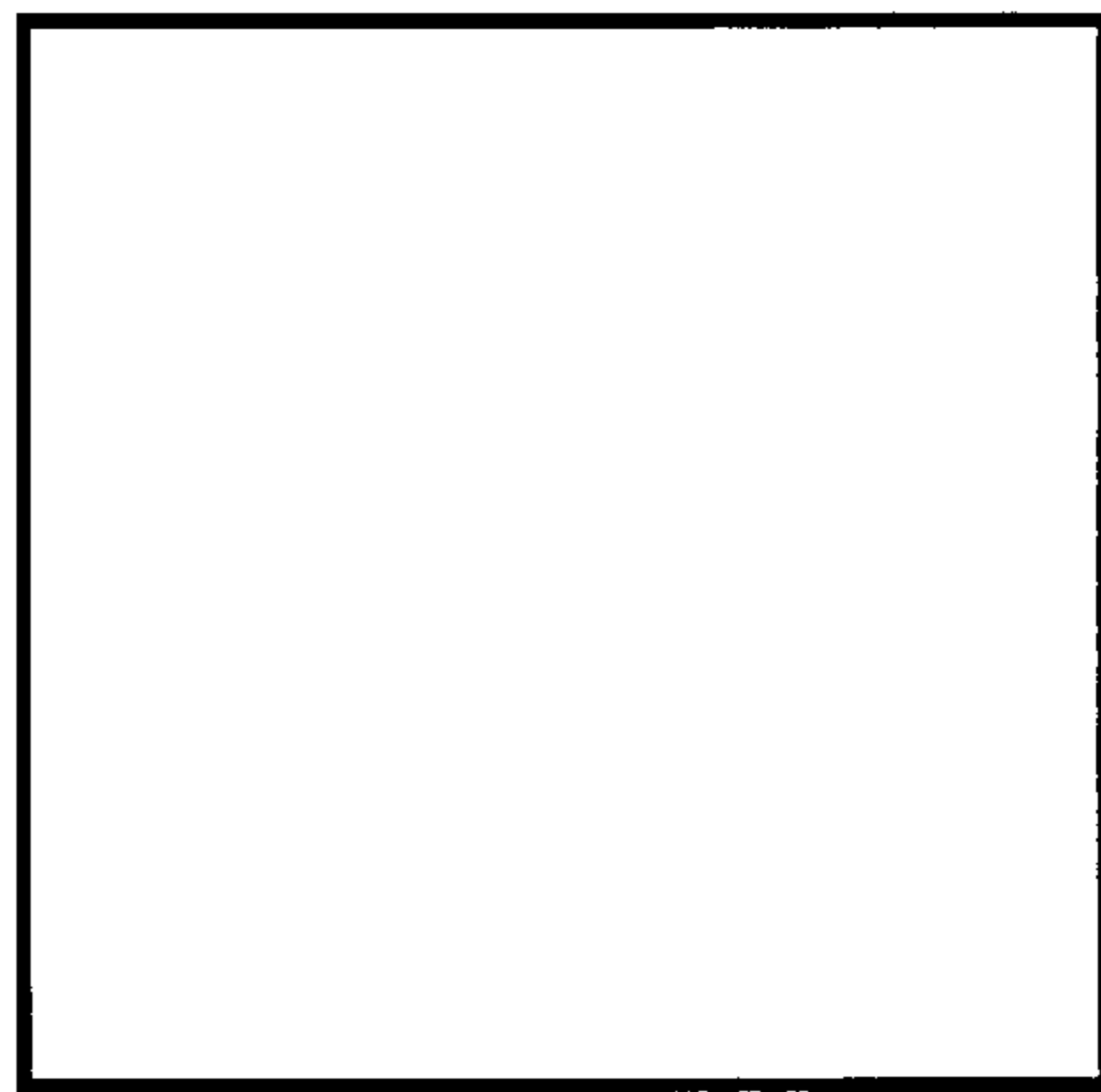


FIG. 3

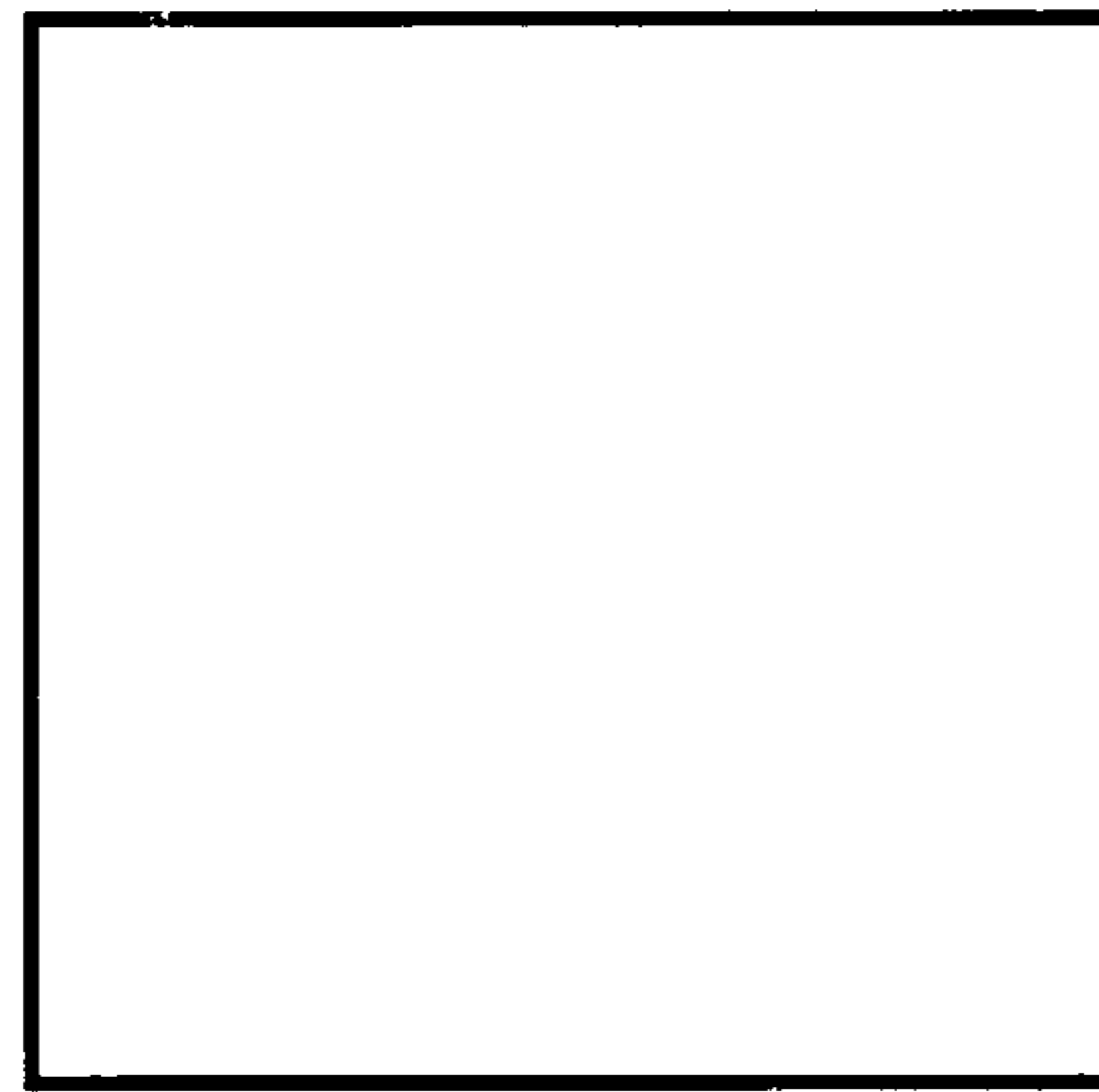


FIG. 4

FIG. 5

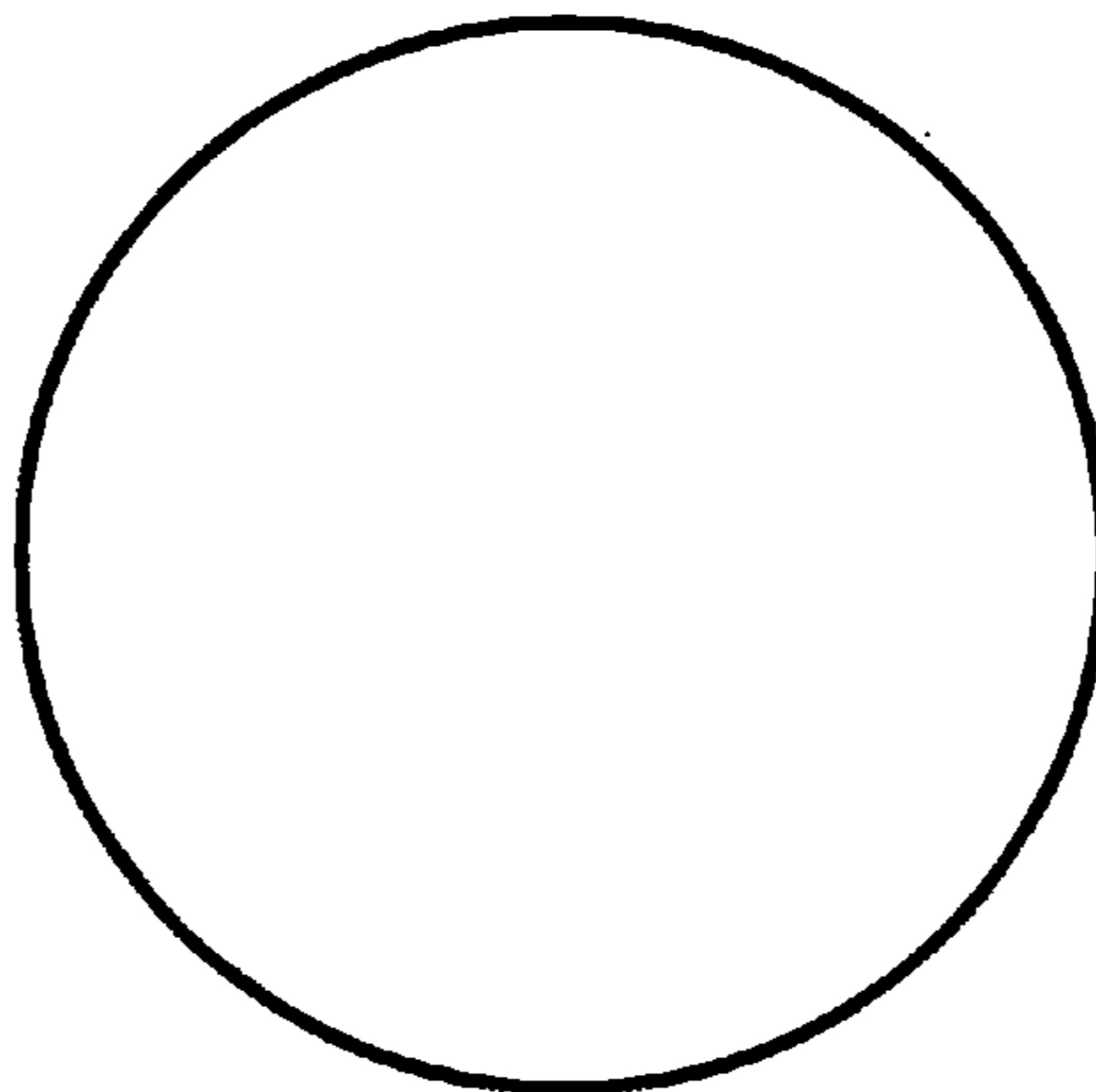


FIG. 6

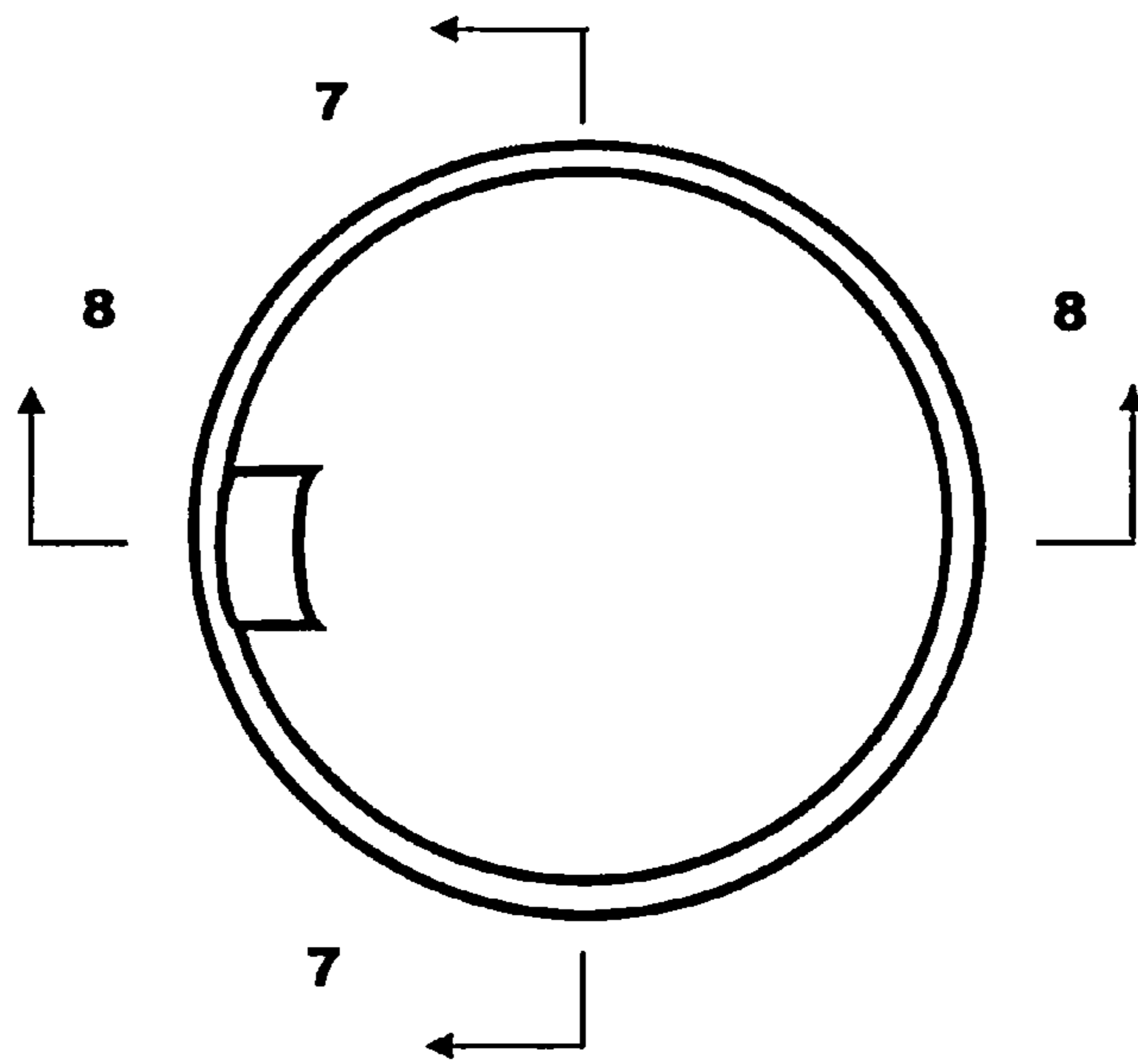


FIG. 7

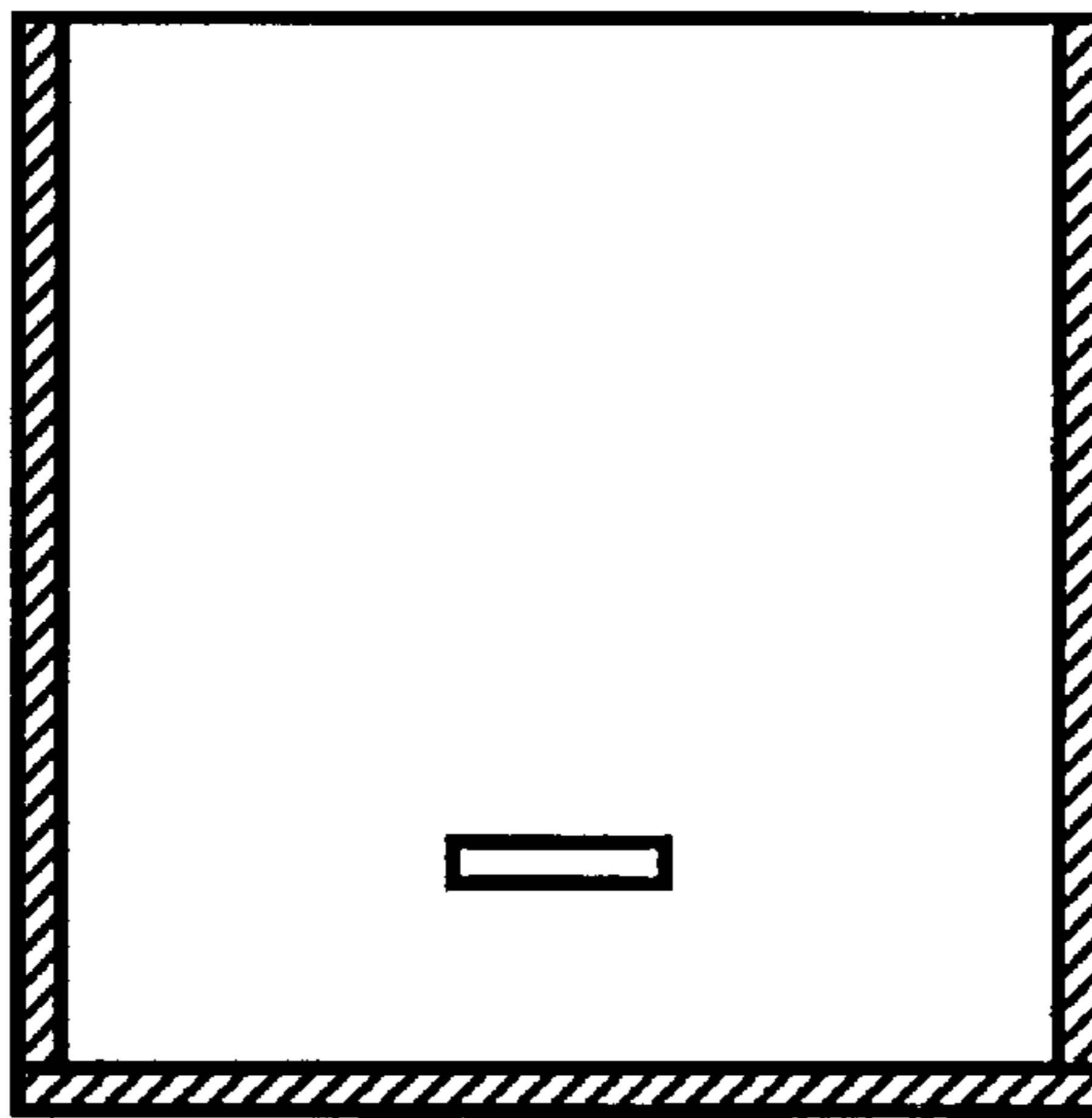


FIG. 8

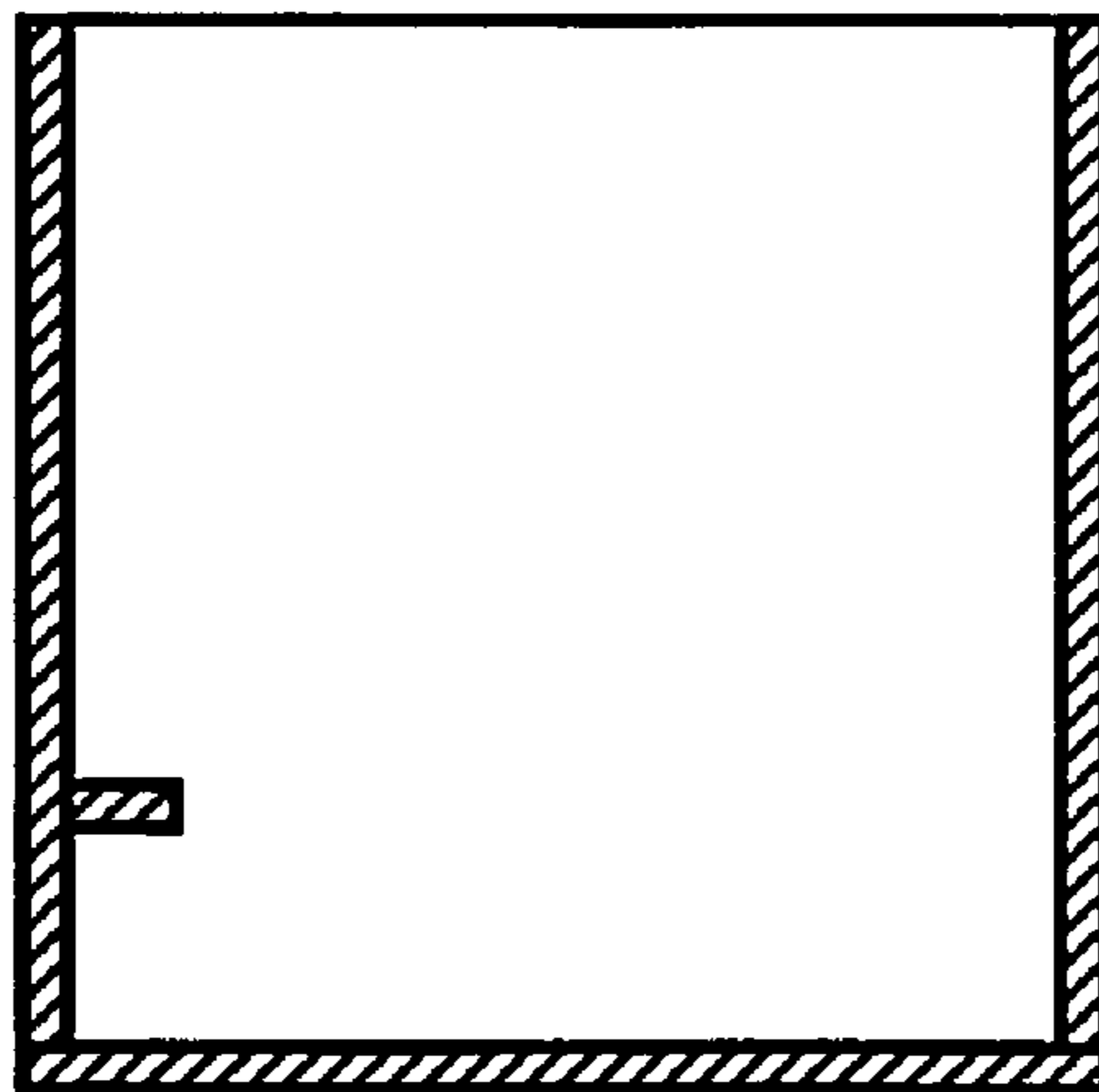


FIG. 9

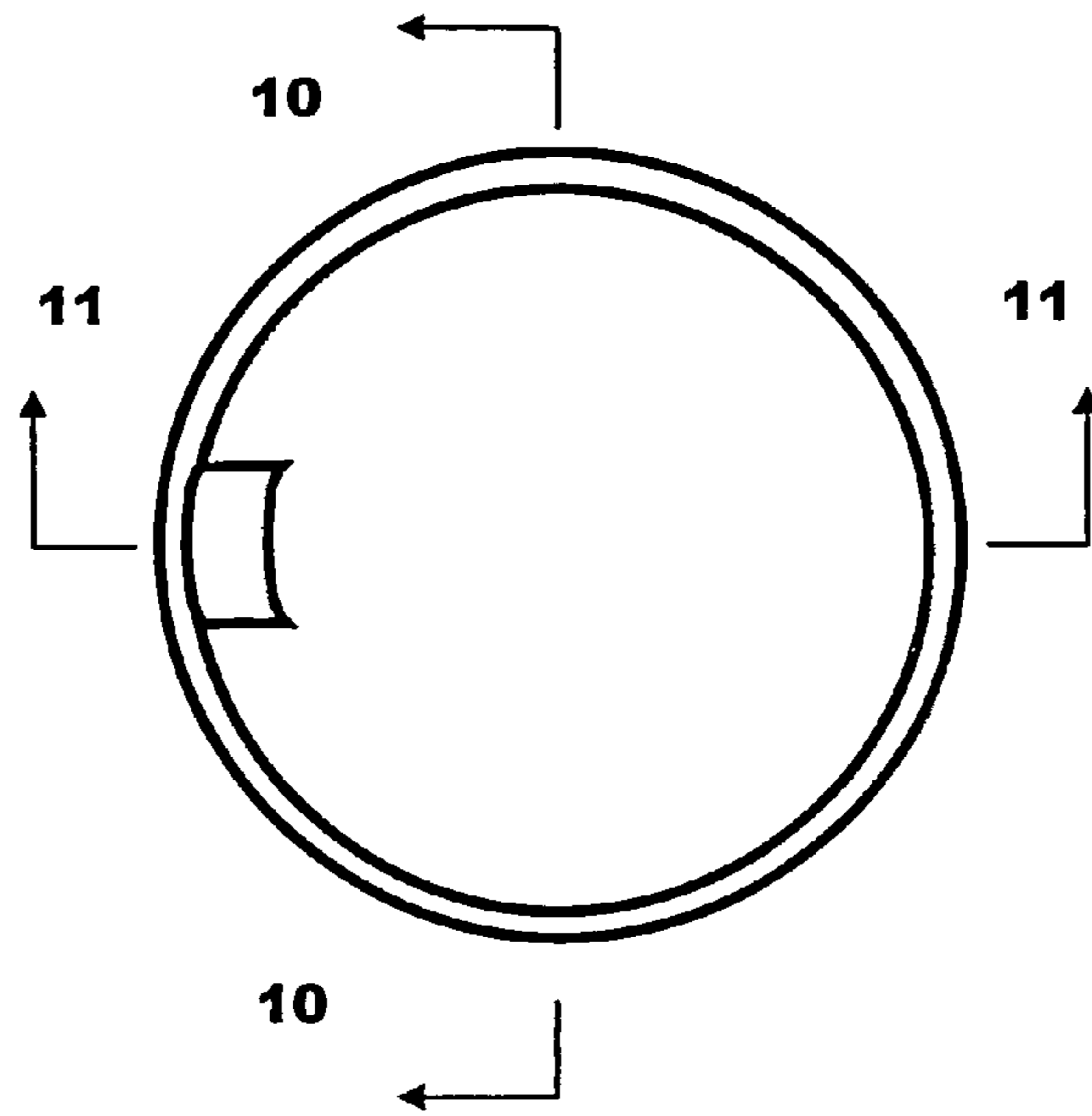


FIG. 10

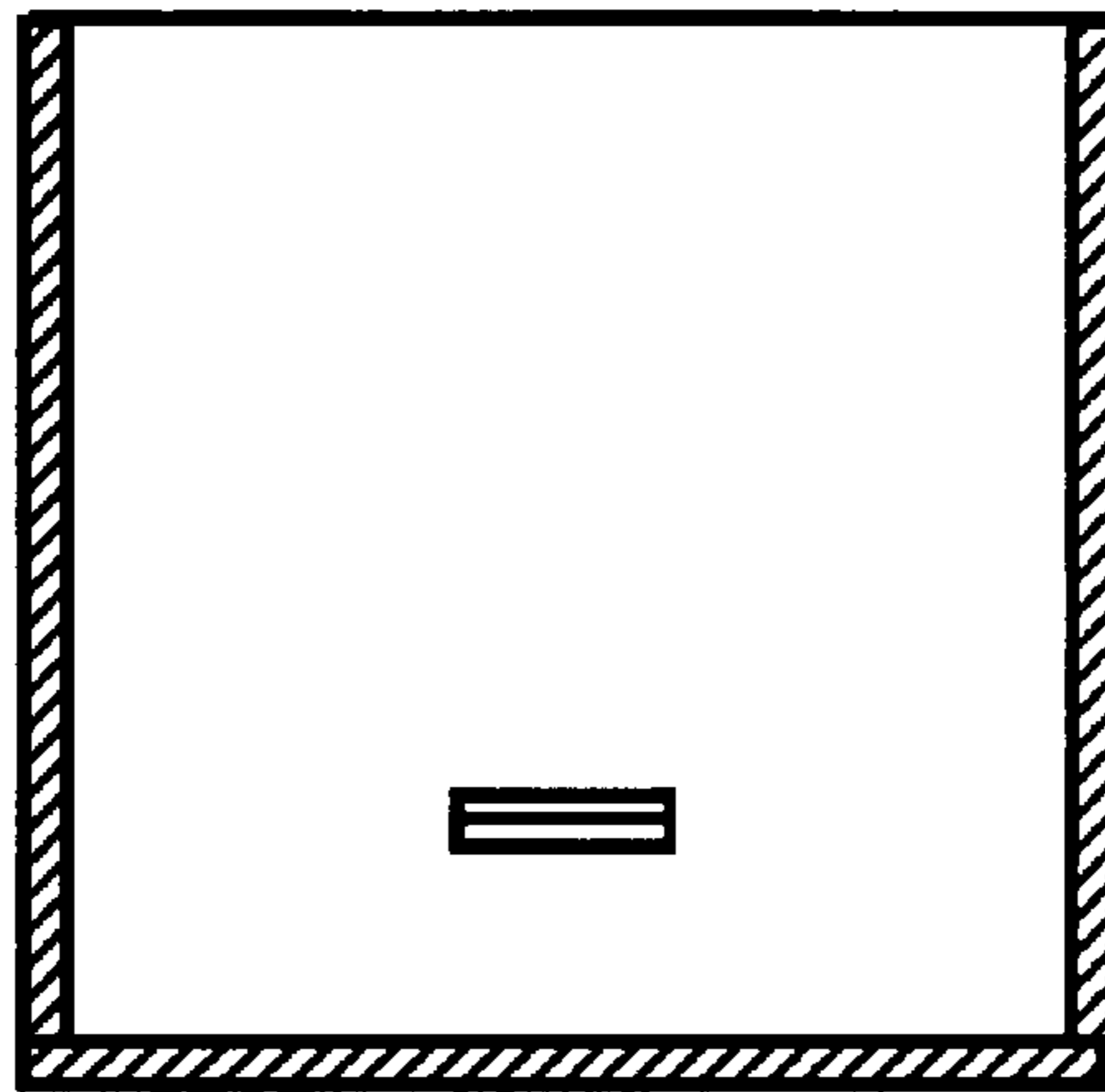


FIG. 11

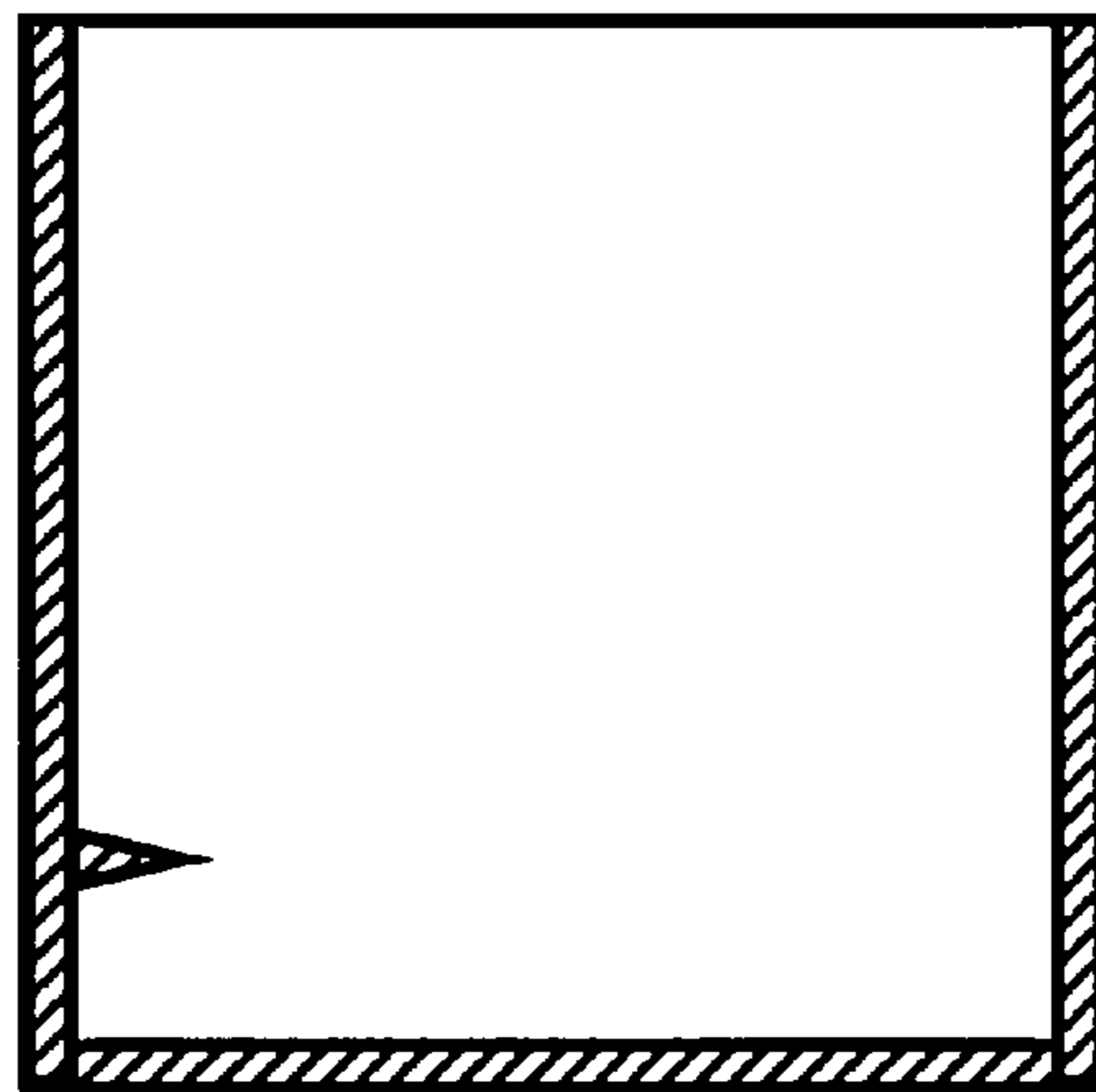


FIG. 12

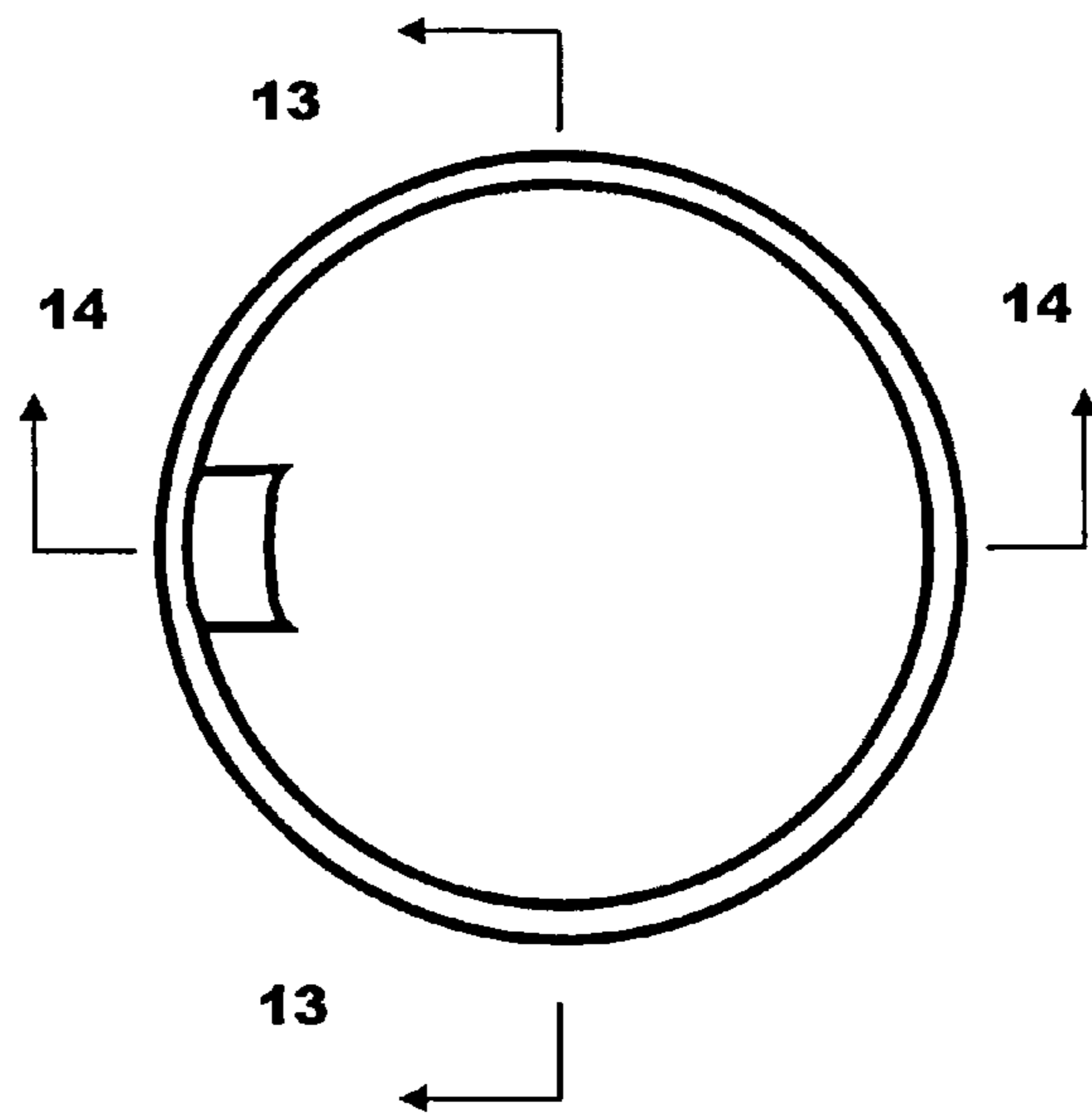


FIG. 13

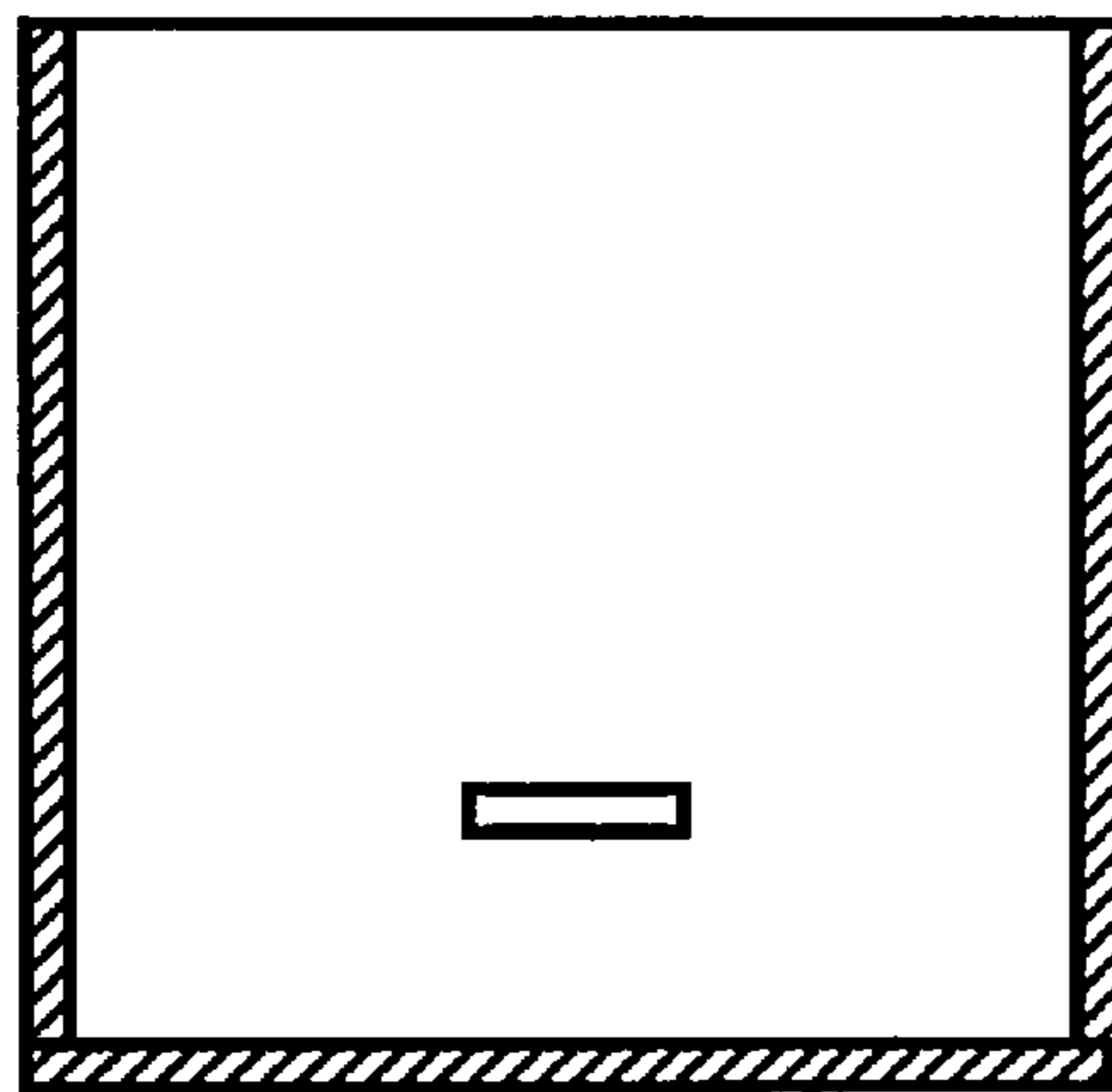


FIG. 14

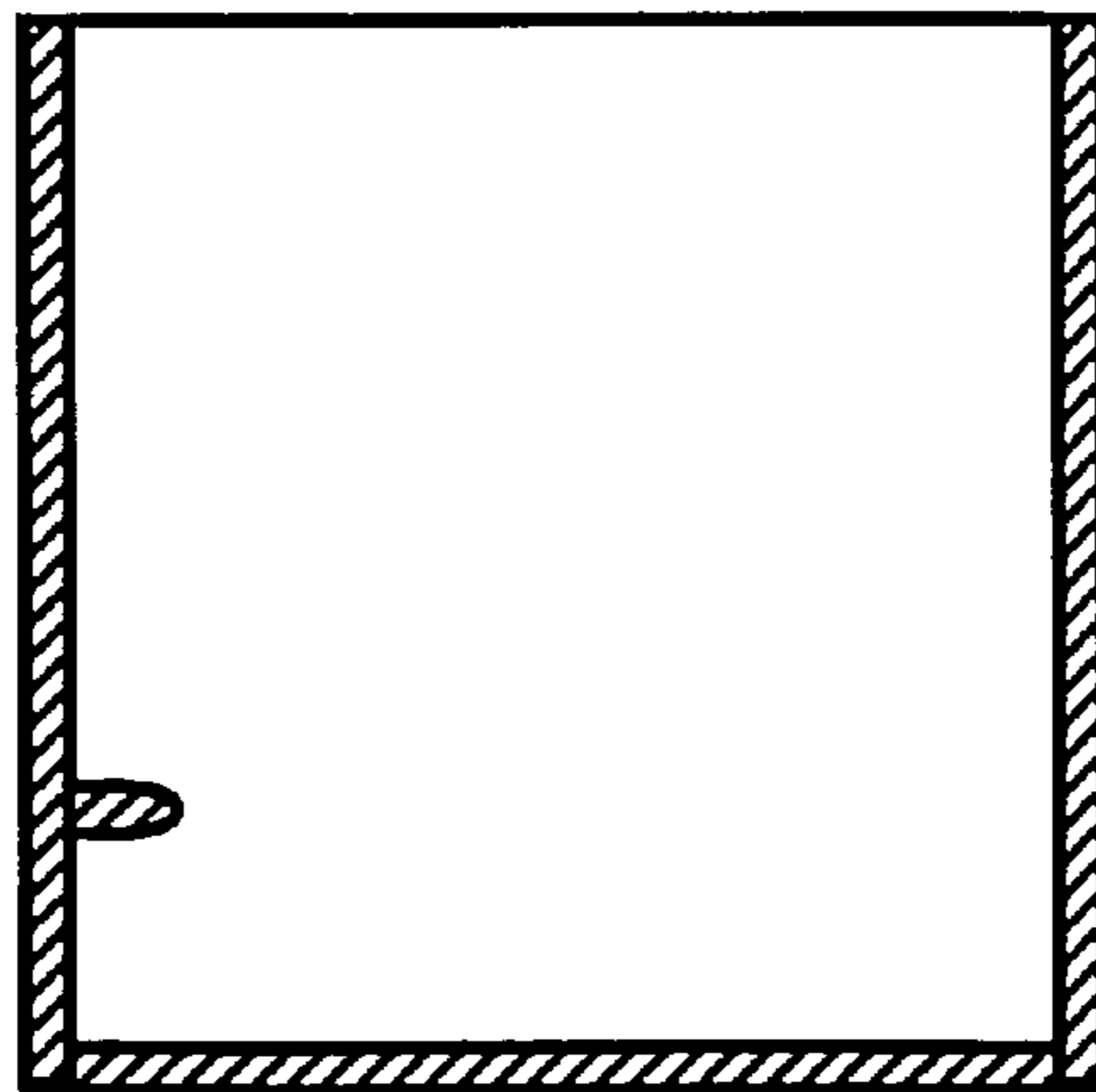


FIG. 15

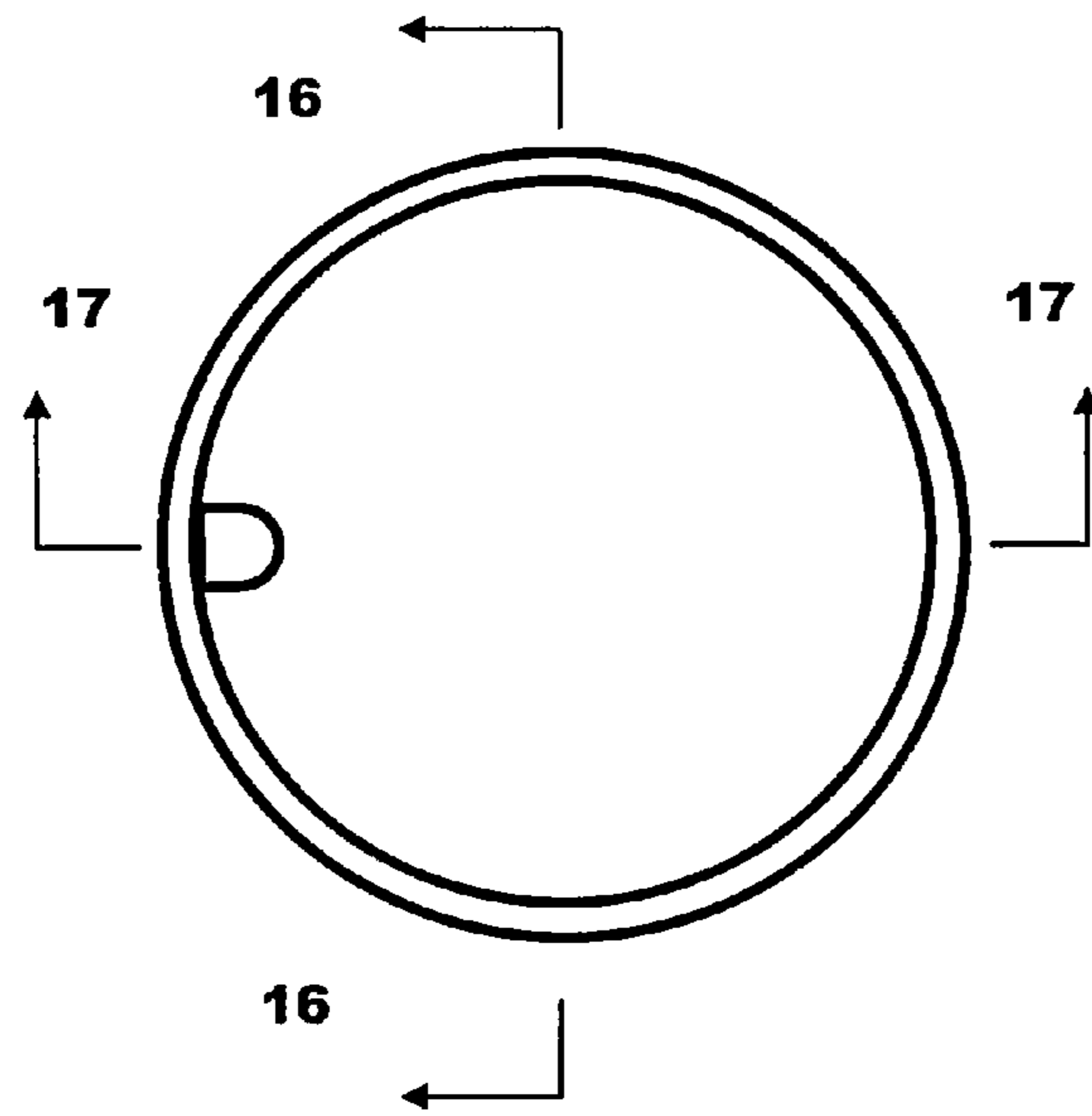


FIG. 16

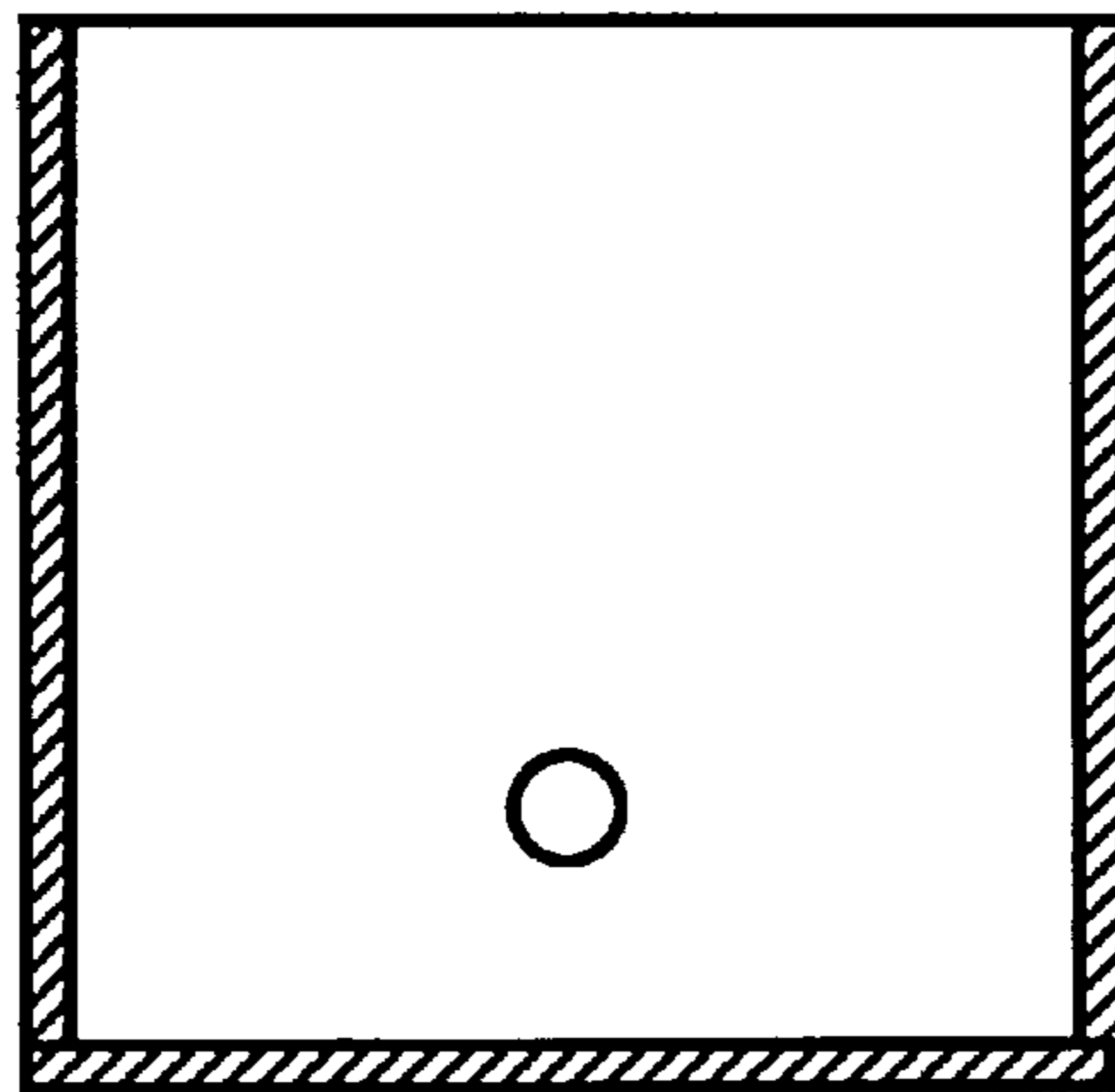


FIG. 17

