



US00D739971S

(12) **United States Design Patent**  
**Kim**

(10) **Patent No.:** **US D739,971 S**

(45) **Date of Patent:** **\*\* Sep. 29, 2015**

(54) **HEADLIGHT FOR A VEHICLE**

(71) Applicant: **Bayerische Motoren Werke**  
**Aktiengesellschaft, Munich (DE)**

(72) Inventor: **Richard Kim, Los Angeles, CA (US)**

(73) Assignee: **Bayerische Motoren Werke**  
**Aktiengesellschaft, Munich (DE)**

(\*\*) Term: **14 Years**

(21) Appl. No.: **29/455,788**

(22) Filed: **May 24, 2013**

(30) **Foreign Application Priority Data**

Nov. 26, 2012 (DE) ..... 40 2012 101 029

(51) **LOC (10) Cl.** ..... **26-06**

(52) **U.S. Cl.**  
USPC ..... **D26/28**

(58) **Field of Classification Search**  
USPC ..... D26/28-36; 362/459-468, 475-478,  
362/485-487

See application file for complete search history.

(56) **References Cited**

U.S. PATENT DOCUMENTS

D490,174 S *	5/2004	Lin	.....	D26/28
D493,550 S *	7/2004	Lin	.....	D26/28
D495,813 S *	9/2004	Lin	.....	D26/28
D528,681 S *	9/2006	Nakahara	.....	D26/28

\* cited by examiner

*Primary Examiner* — Marcus Jackson

(74) *Attorney, Agent, or Firm* — Crowell & Moring LLP

(57) **CLAIM**

The ornamental design for a headlight for a vehicle, as shown and described.

**DESCRIPTION**

This application contains subject matter related to the following co-pending U.S. design patent application: Application Ser. No. 29/455,787, filed herewith and entitled "Vehicle, Toy, and/or Replicas Thereof".

FIG. 1 is a front view of a first embodiment of a headlight for a vehicle according to the design;  
FIG. 2 is a right, front perspective view thereof;  
FIG. 3 is a left, front perspective view thereof;  
FIG. 4 is a right side view thereof;  
FIG. 5 is a left side view thereof;  
FIG. 6 is a top view thereof;  
FIG. 7 is a bottom view thereof; and,  
FIG. 8 is a rear view thereof.

**1 Claim, 8 Drawing Sheets**





Fig. 1

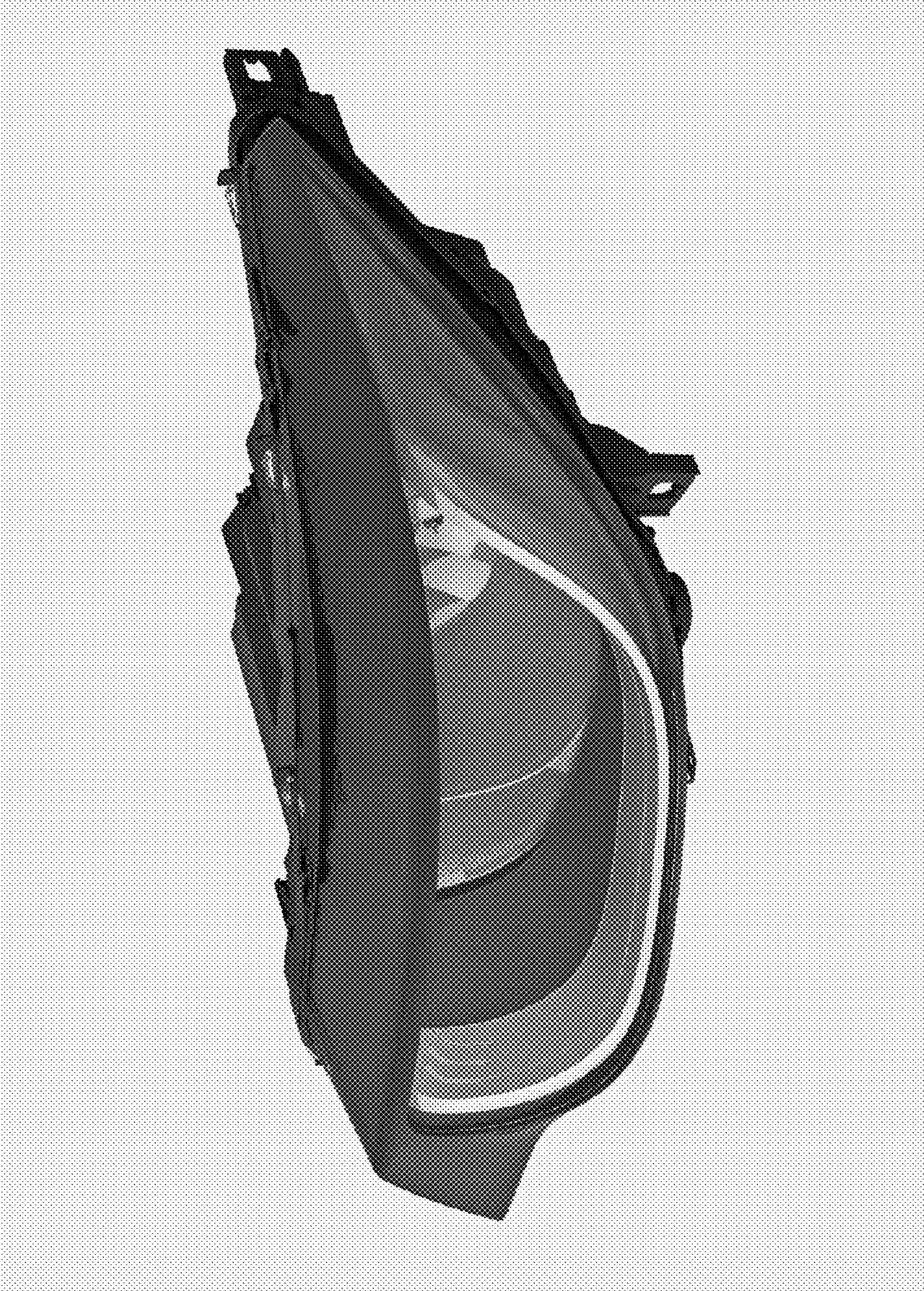


Fig. 2



Fig. 3

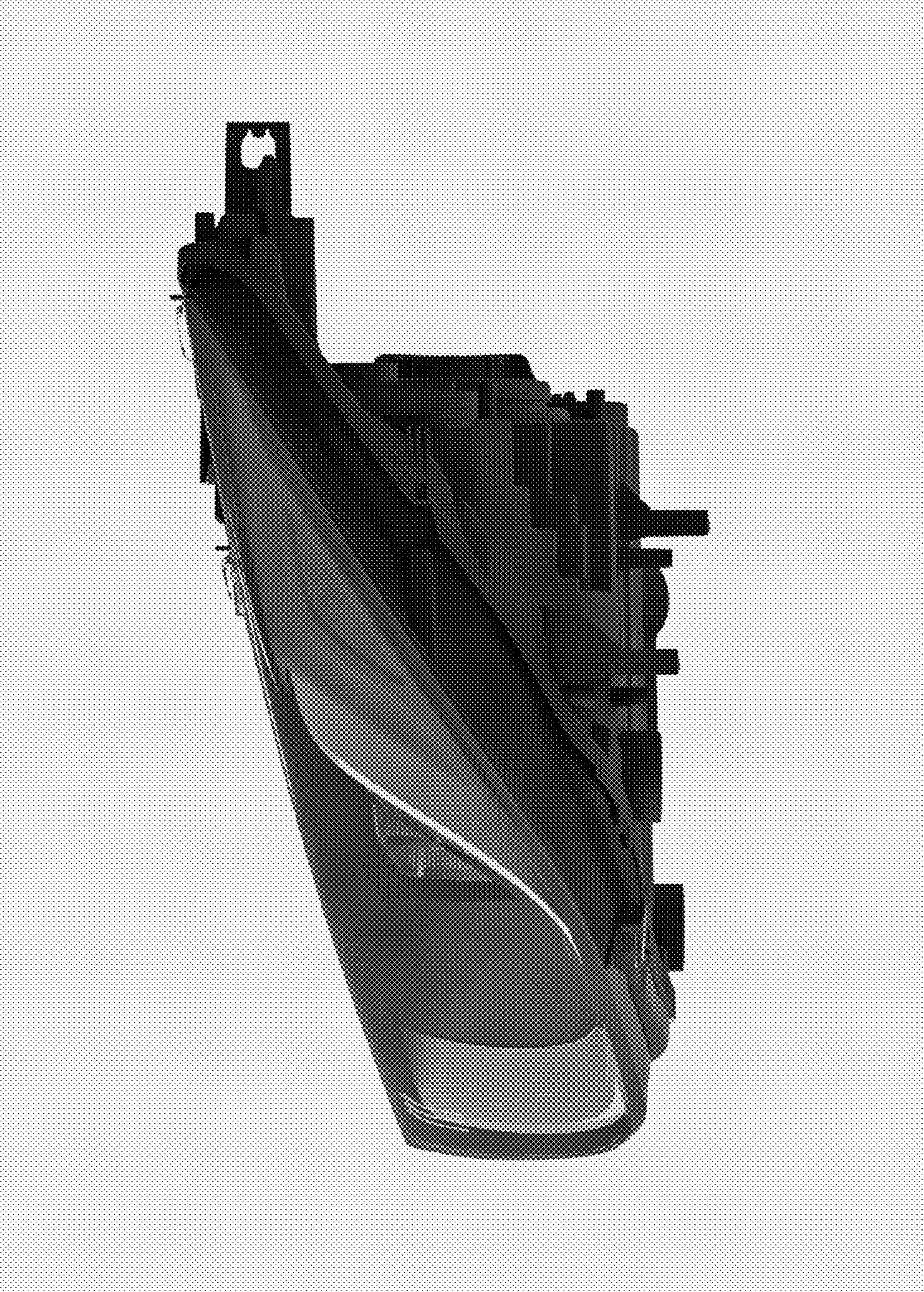


Fig. 4

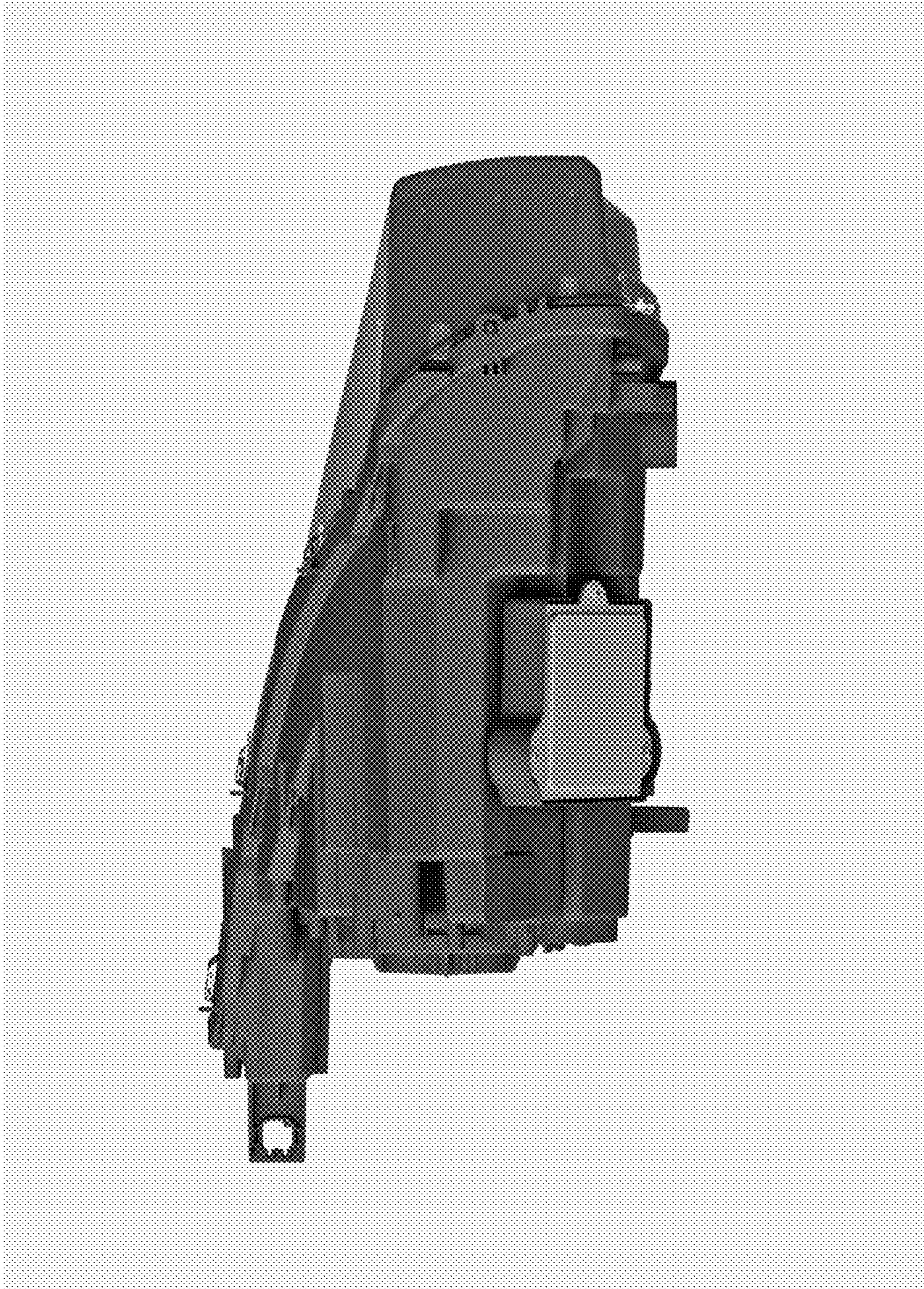


Fig. 5

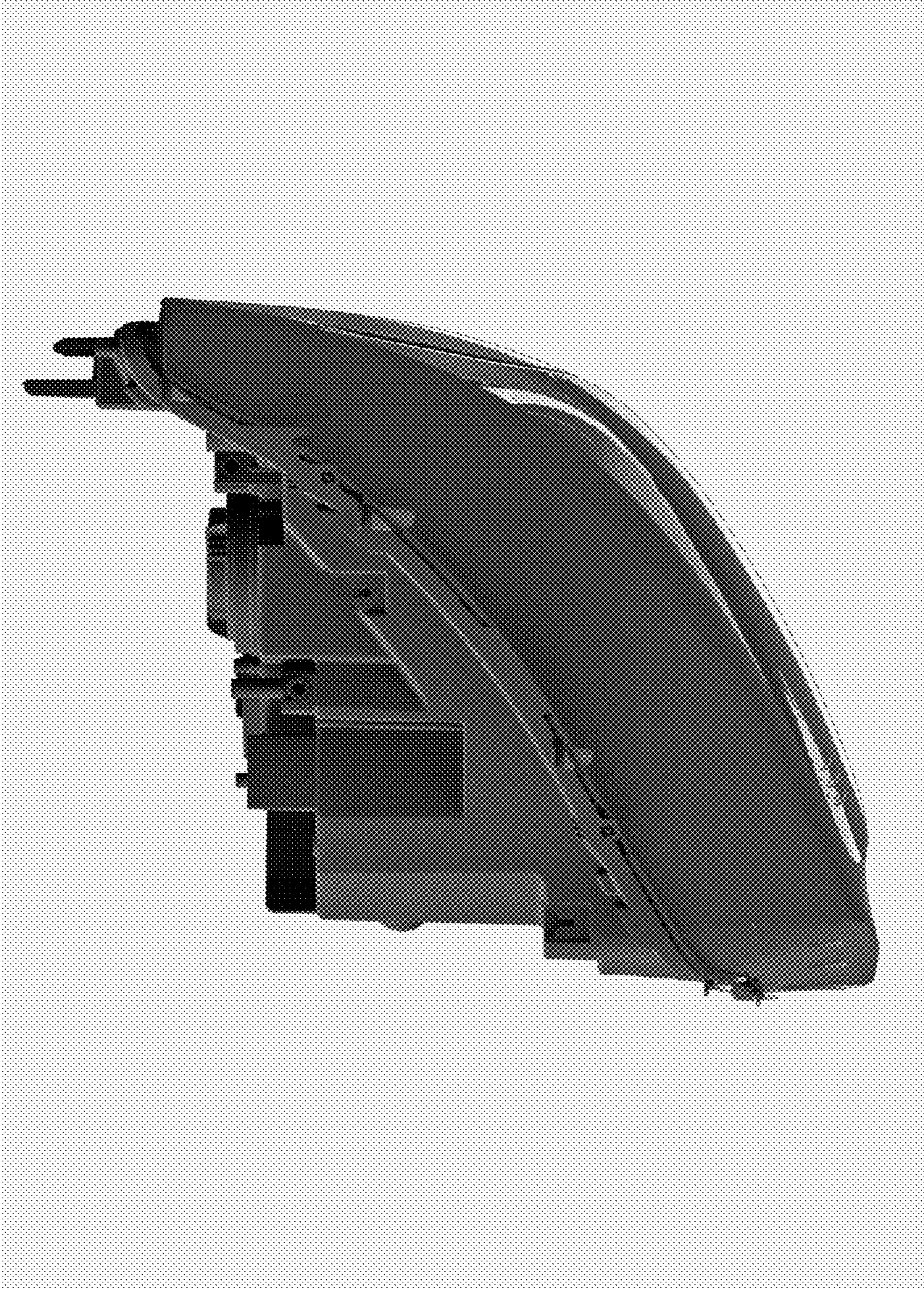


Fig. 6



Fig. 7





Fig. 8