

US00D739969S

(12) **United States Design Patent**
Qin

(10) **Patent No.:** **US D739,969 S**

(45) **Date of Patent:** **** *Sep. 29, 2015**

(54) **EIGHT SIDED FIN-STYLE LED CORNCOB LIGHT BULB**

(71) Applicant: **Robert Qin**, Liu Jiang (CN)

(72) Inventor: **Robert Qin**, Liu Jiang (CN)

(*) Notice: This patent is subject to a terminal disclaimer.

(**) Term: **14 Years**

(21) Appl. No.: **29/506,295**

(22) Filed: **Oct. 14, 2014**

(51) **LOC (10) Cl.** **26-04**

(52) **U.S. Cl.**
USPC **D26/2**

(58) **Field of Classification Search**
USPC D26/1-4; 313/313, 315, 316, 317, 318,
313/493; 315/32, 52, 53, 56, 57, 58;
362/373, 294, 249.02
CPC F21V 29/83; F21K 9/00
See application file for complete search history.

(56) **References Cited**

U.S. PATENT DOCUMENTS

D574,091	S	*	7/2008	Sun	D26/2
D574,092	S	*	7/2008	Sun	D26/2
7,585,090	B2	*	9/2009	Wu	362/249.02
7,637,636	B2	*	12/2009	Zheng et al.	362/294
D631,567	S	*	1/2011	Lodhie	D26/2

D641,895	S	*	7/2011	Huang	D26/3
8,072,123	B1	*	12/2011	Han	313/45
D668,367	S	*	10/2012	Sakamoto et al.	D26/2
D669,200	S	*	10/2012	Chen et al.	D26/2
D671,240	S	*	11/2012	Sakamoto et al.	D26/2
D671,241	S	*	11/2012	Sakamoto et al.	D26/2
D689,214	S	*	9/2013	Chyan et al.	D26/2
D721,828	S	*	1/2015	Chen et al.	D26/2
2008/0316755	A1	*	12/2008	Zheng et al.	362/373
2011/0156584	A1	*	6/2011	Kim	315/32

* cited by examiner

Primary Examiner — Ian Simmons

Assistant Examiner — Harold Blackwell, II

(74) *Attorney, Agent, or Firm* — Jeanette Meng Nakagawa

(57) **CLAIM**

The ornamental design for a eight sided fin-style LED corn-cob light bulb, as shown and described.

DESCRIPTION

FIG. 1 is a plan front view of a eight sided fin-style LED corn-cob light bulb showing my new design; the plan back view being a mirror image;

FIG. 2 is a right side view thereof; the left side view being a mirror image;

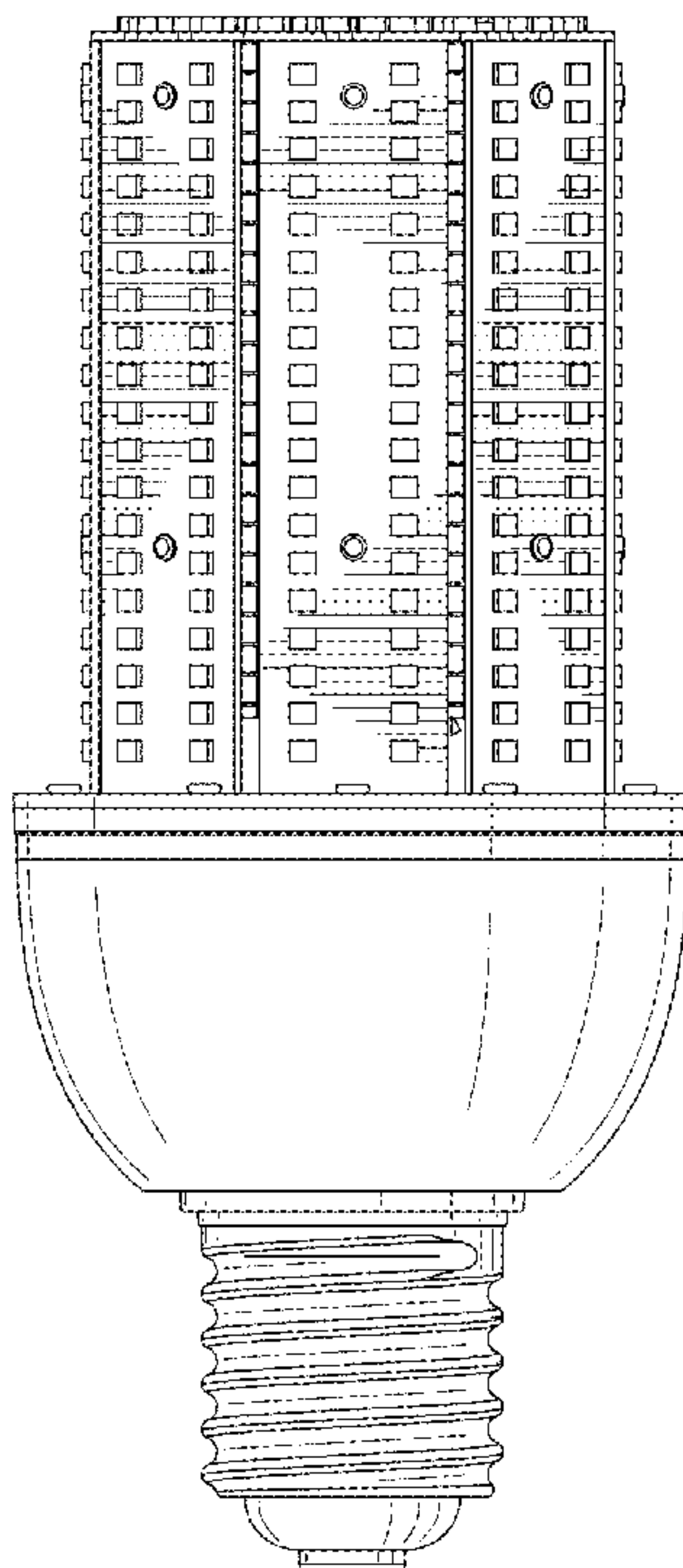
FIG. 3 is a bottom view thereof;

FIG. 4 is a top view thereof; and,

FIG. 5 is a perspective view thereof.

The broken lines in the drawings illustrate portions of an eight sided fin-style LED corn-cob light bulb which form no part of the claimed design.

1 Claim, 2 Drawing Sheets



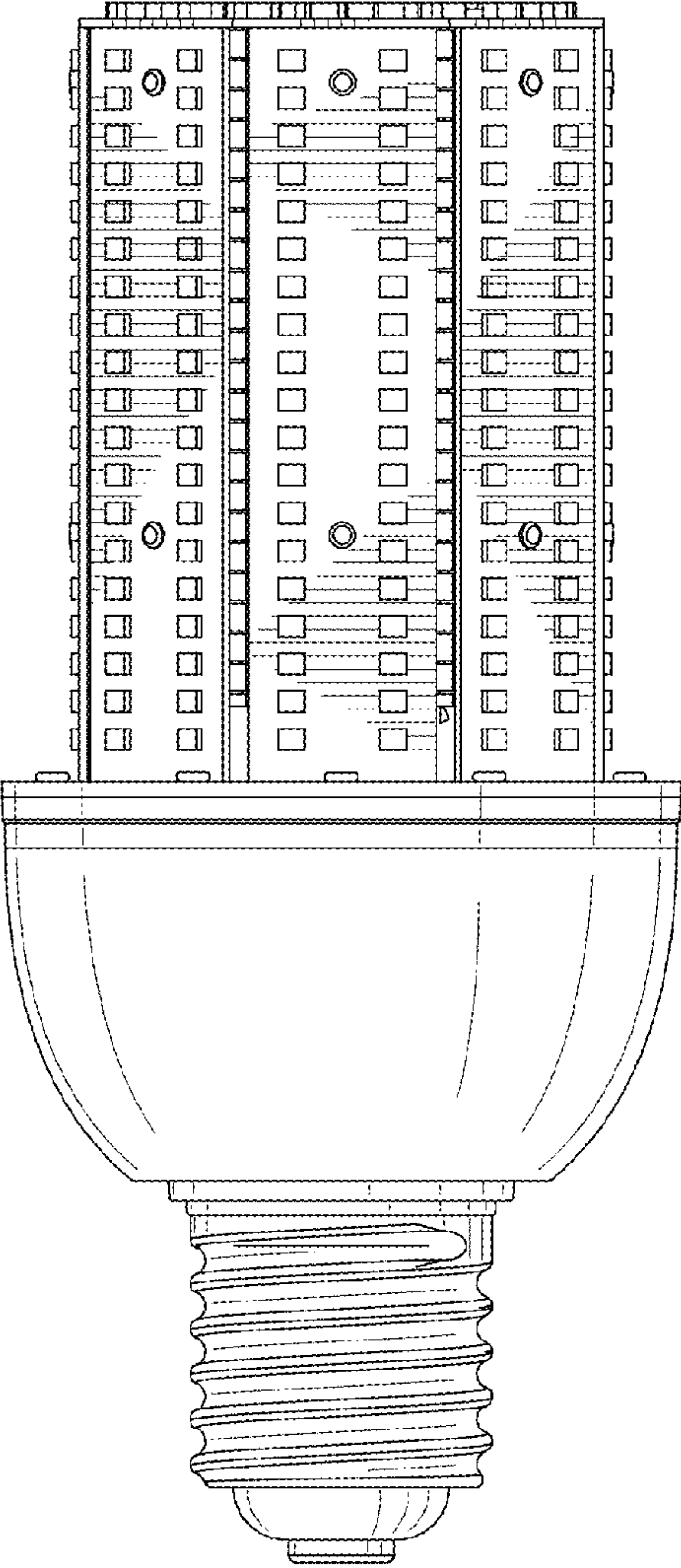
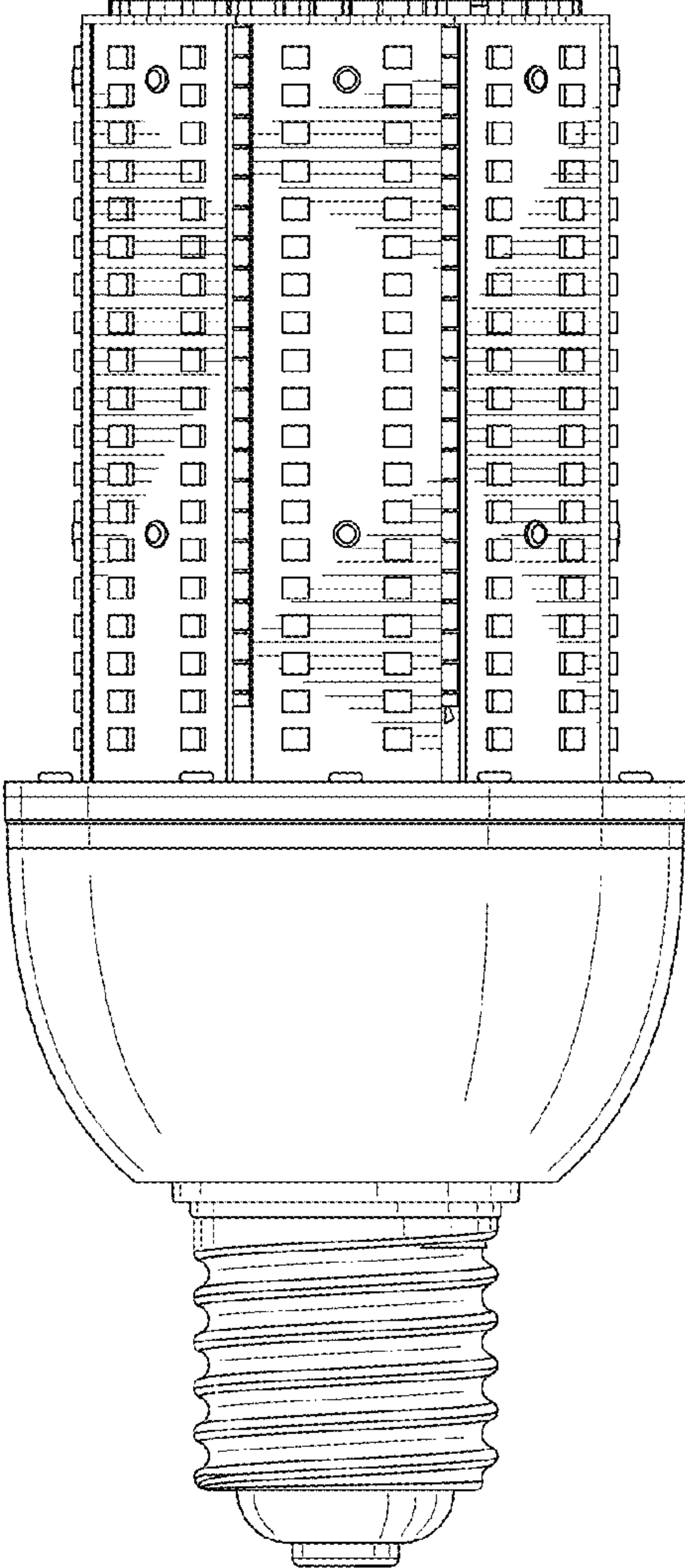


FIG. 1

FIG. 2



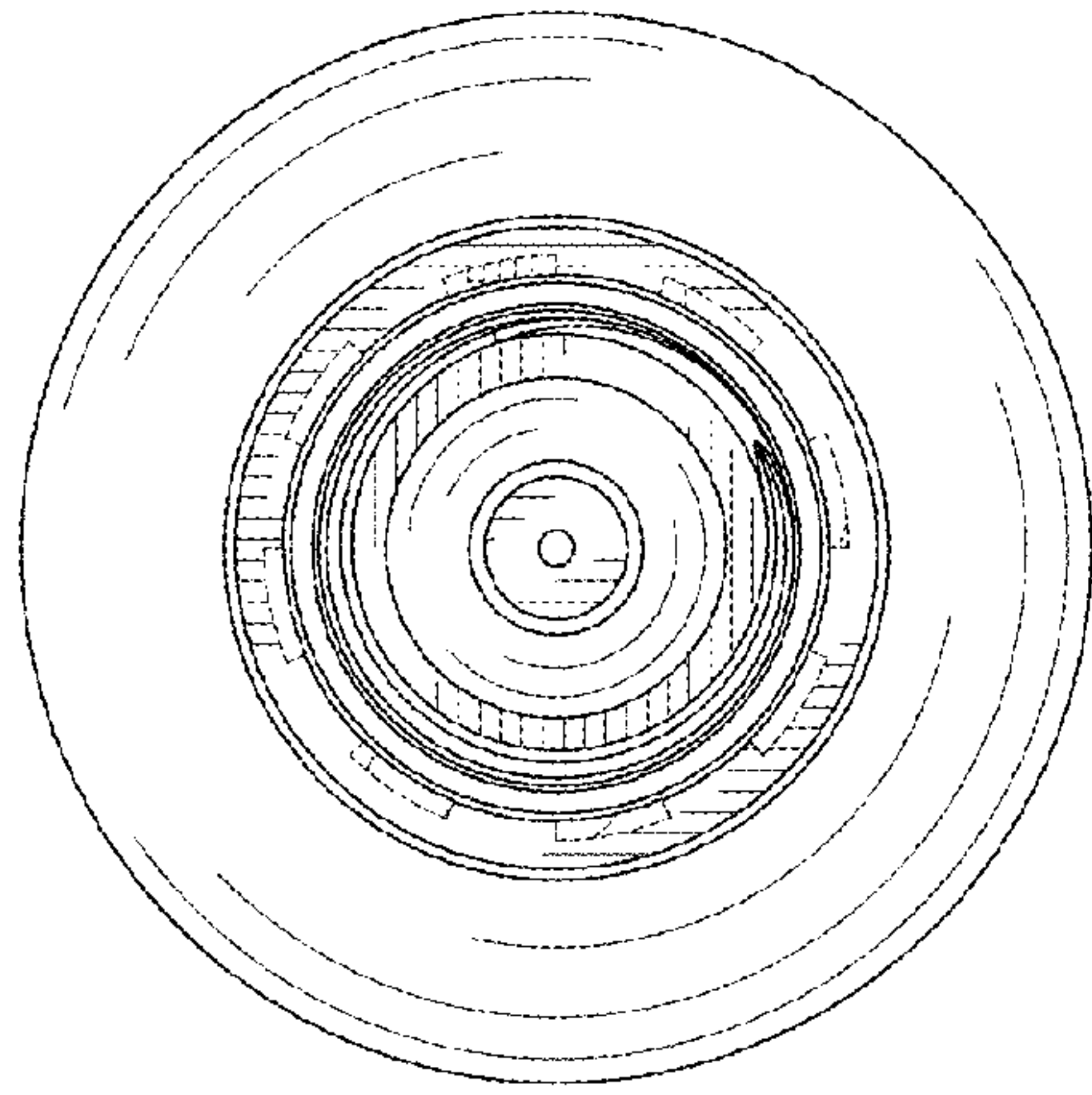


FIG. 3

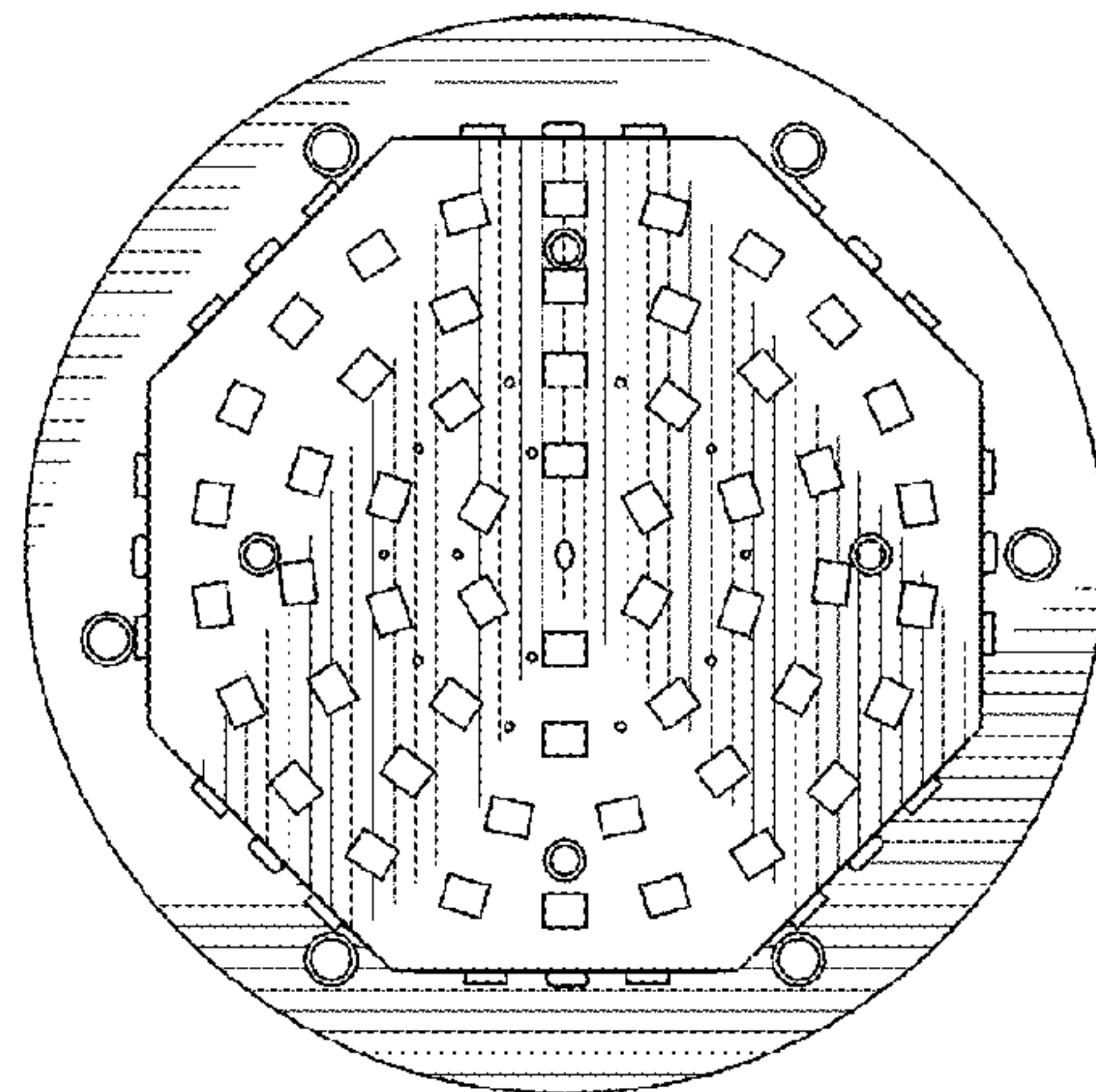


FIG. 4

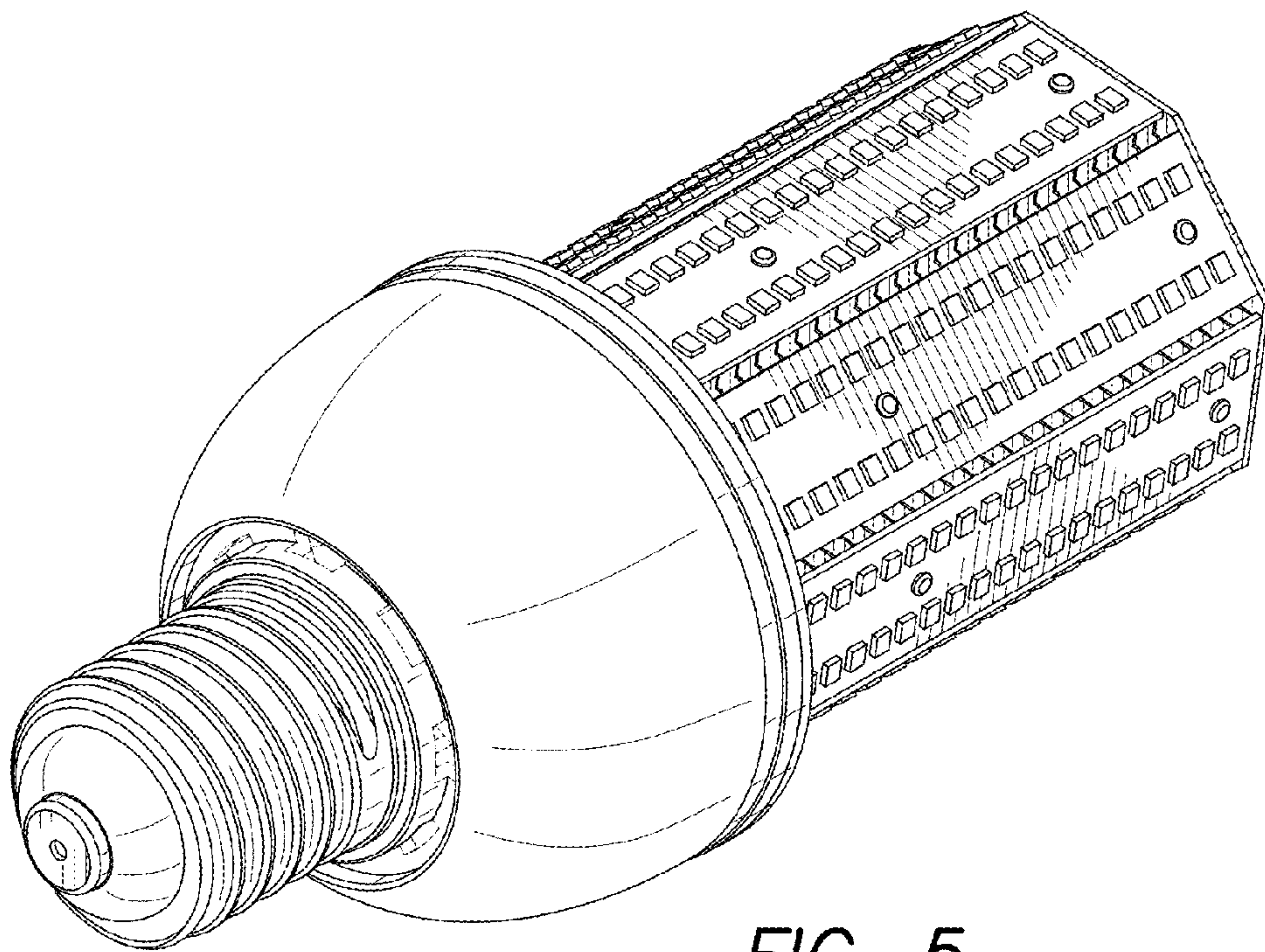


FIG. 5