



US00D739966S

(12) **United States Design Patent**
Redpath et al.

(10) **Patent No.:** **US D739,966 S**
(45) **Date of Patent:** **** Sep. 29, 2015**

(54) **LASER LAMP**
(71) Applicants: **Richard Redpath**, Cary, NC (US);
James Redpath, Cary, NC (US)
(72) Inventors: **Richard Redpath**, Cary, NC (US);
James Redpath, Cary, NC (US)

D566,300 S * 4/2008 Lo D26/2
D582,578 S * 12/2008 Tsai et al. D26/2
D593,222 S * 5/2009 To et al. D26/2
D601,721 S * 10/2009 Foo D26/2
D603,982 S * 11/2009 Foo D26/2

* cited by examiner

Primary Examiner — Marcus Jackson

(**) Term: **14 Years**

(21) Appl. No.: **29/491,861**

(22) Filed: **May 27, 2014**

(51) **LOC (10) Cl.** **26-04**

(52) **U.S. Cl.**
USPC **D26/2**

(58) **Field of Classification Search**
USPC D26/1-4; 313/313, 315, 316, 317, 318,
313/493; 315/52, 53, 56, 57, 58
See application file for complete search history.

(56) **References Cited**

U.S. PATENT DOCUMENTS

D545,456 S * 6/2007 Foo D26/2
D549,854 S * 8/2007 Takahashi D26/2

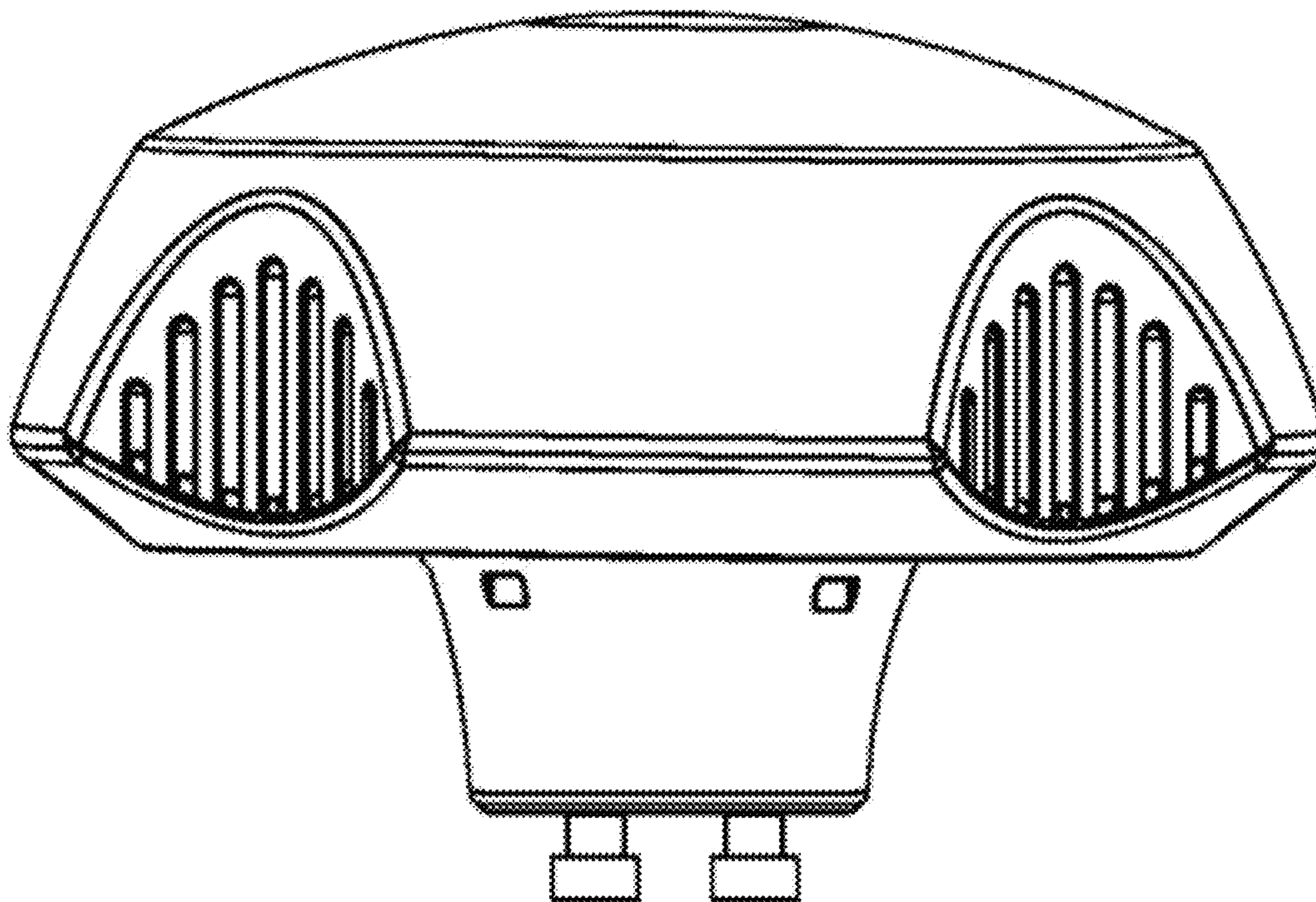
(57) **CLAIM**

The ornamental design for a Laser lamp, as shown and described.

DESCRIPTION

FIG. 1 is a back perspective view of the specialty lighting projection system enclosure of the invention showing my design;
FIG. 2 is a front perspective view thereof;
FIG. 3 is a bottom perspective view thereof;
FIG. 4 is a top perspective view thereof;
FIG. 5 is a left perspective view thereof; and,
FIG. 6 is a right perspective view.

1 Claim, 6 Drawing Sheets



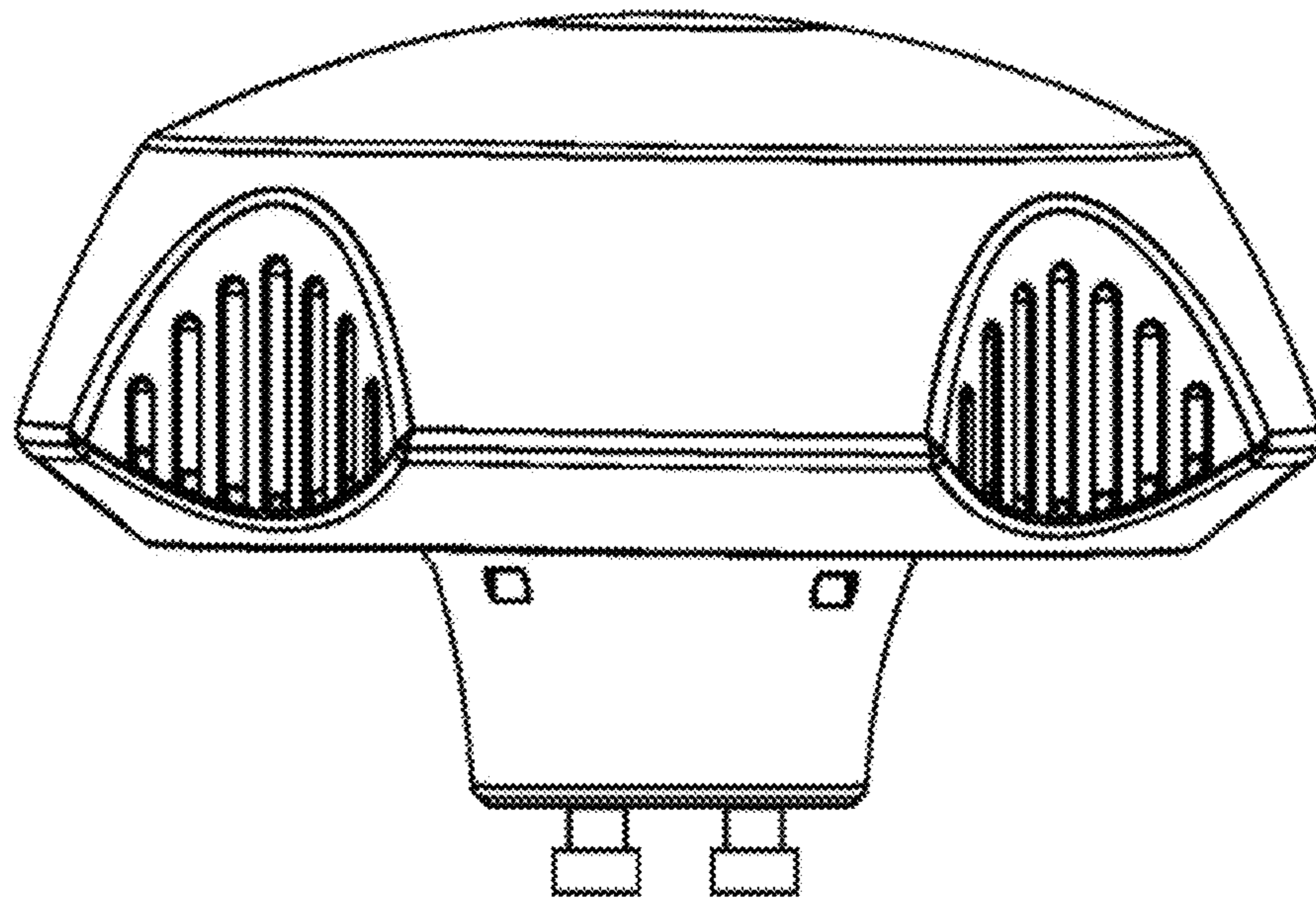


Figure 1

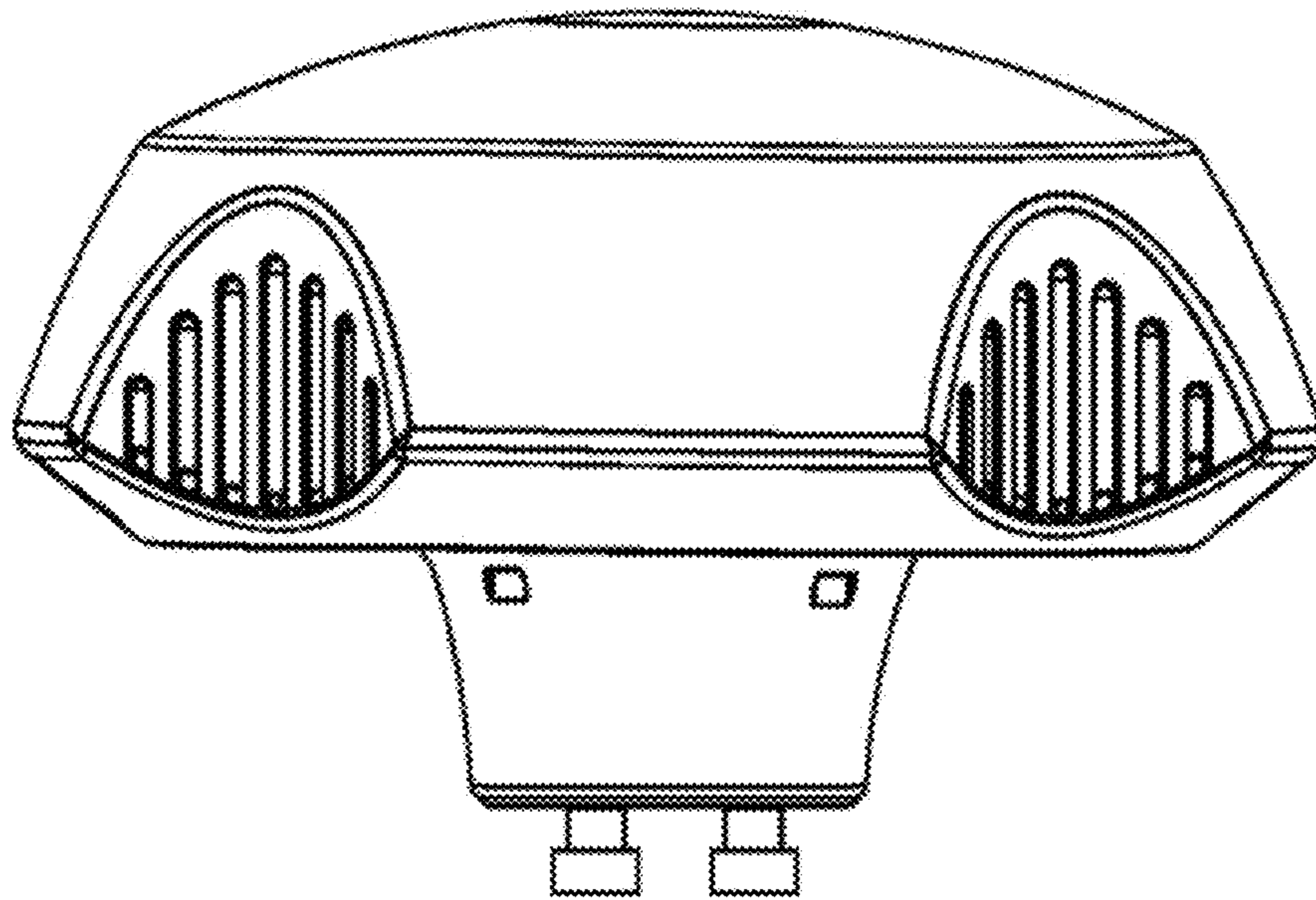


Figure 2

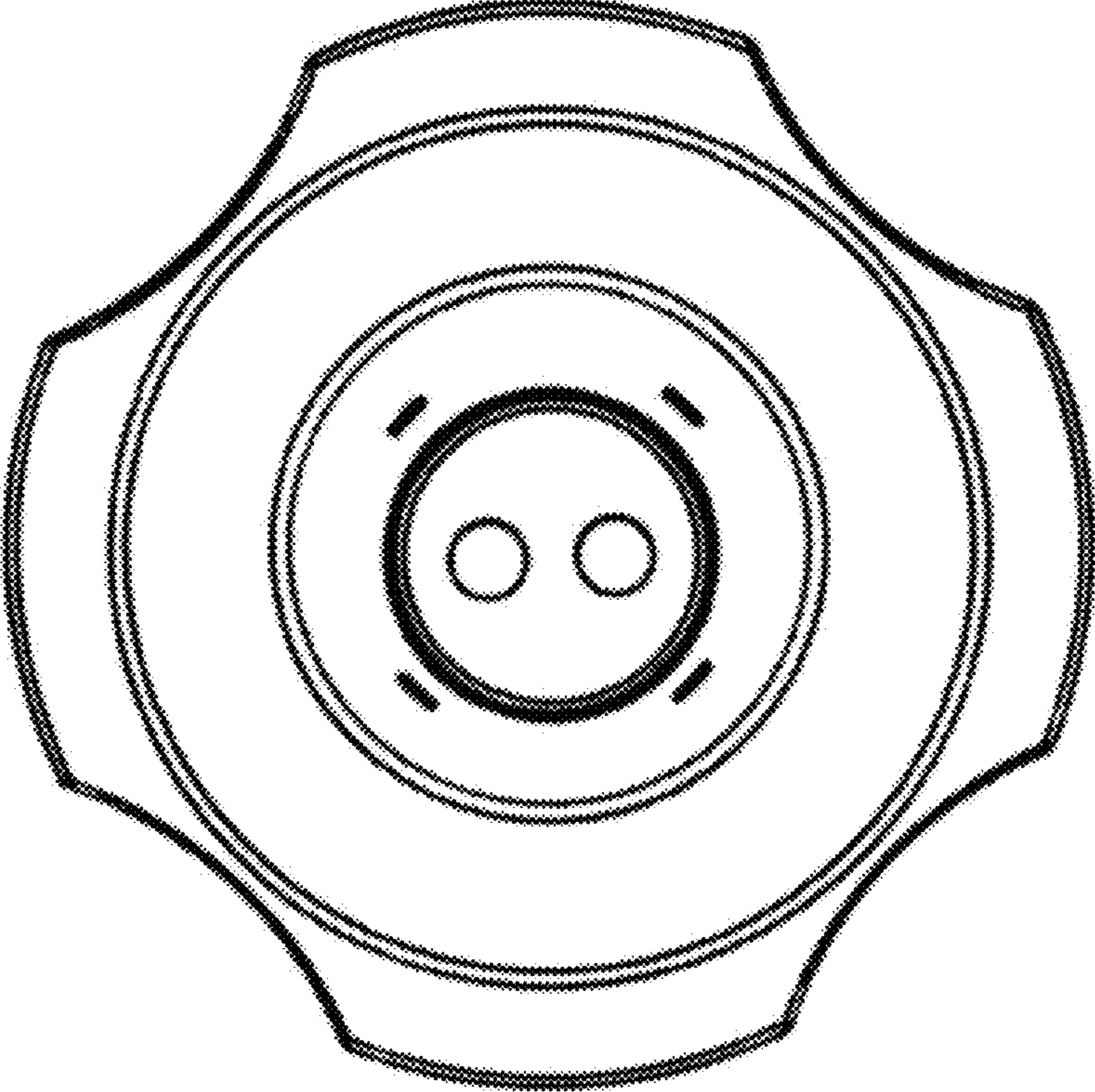


Figure 3

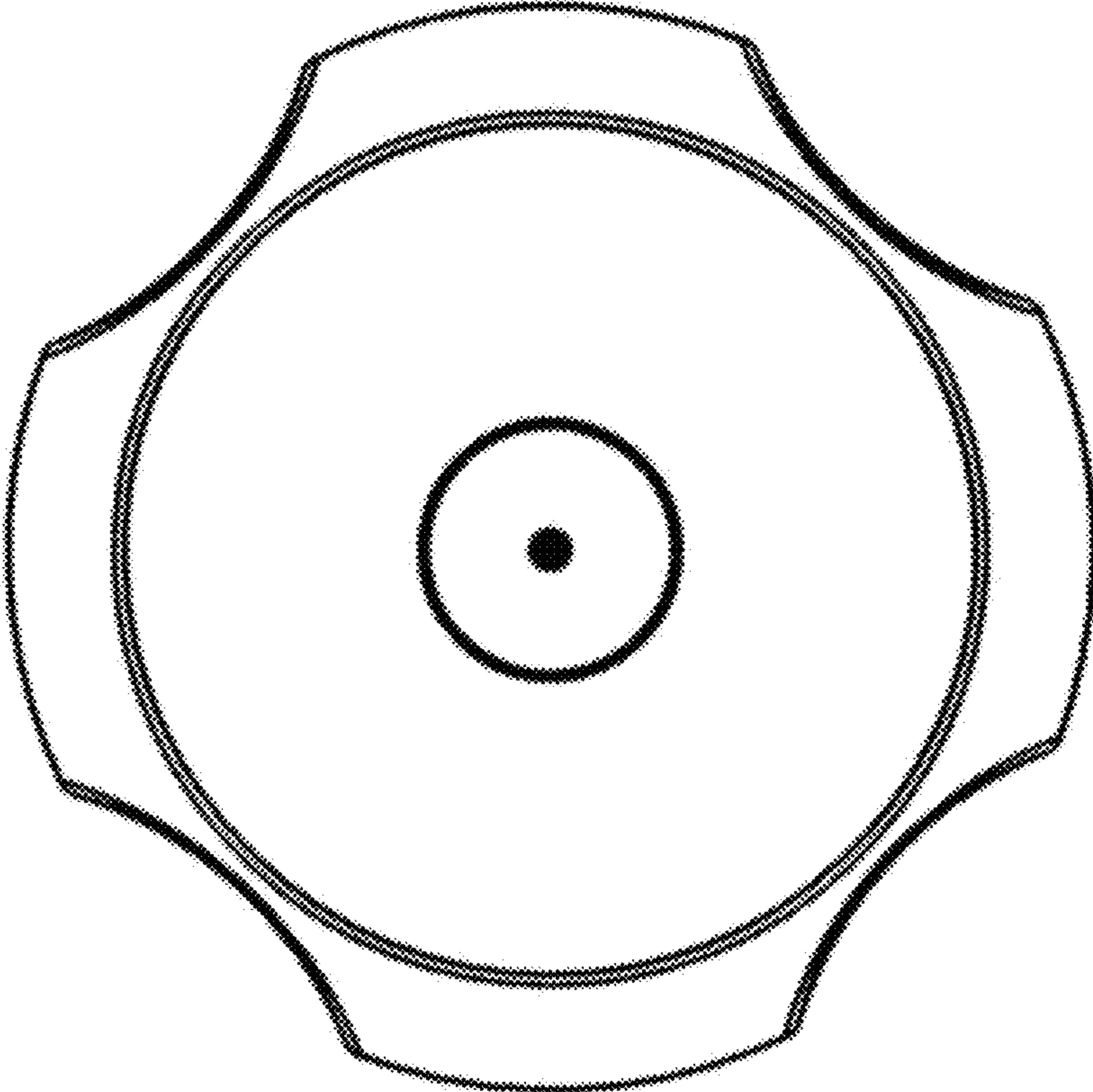


Figure 4

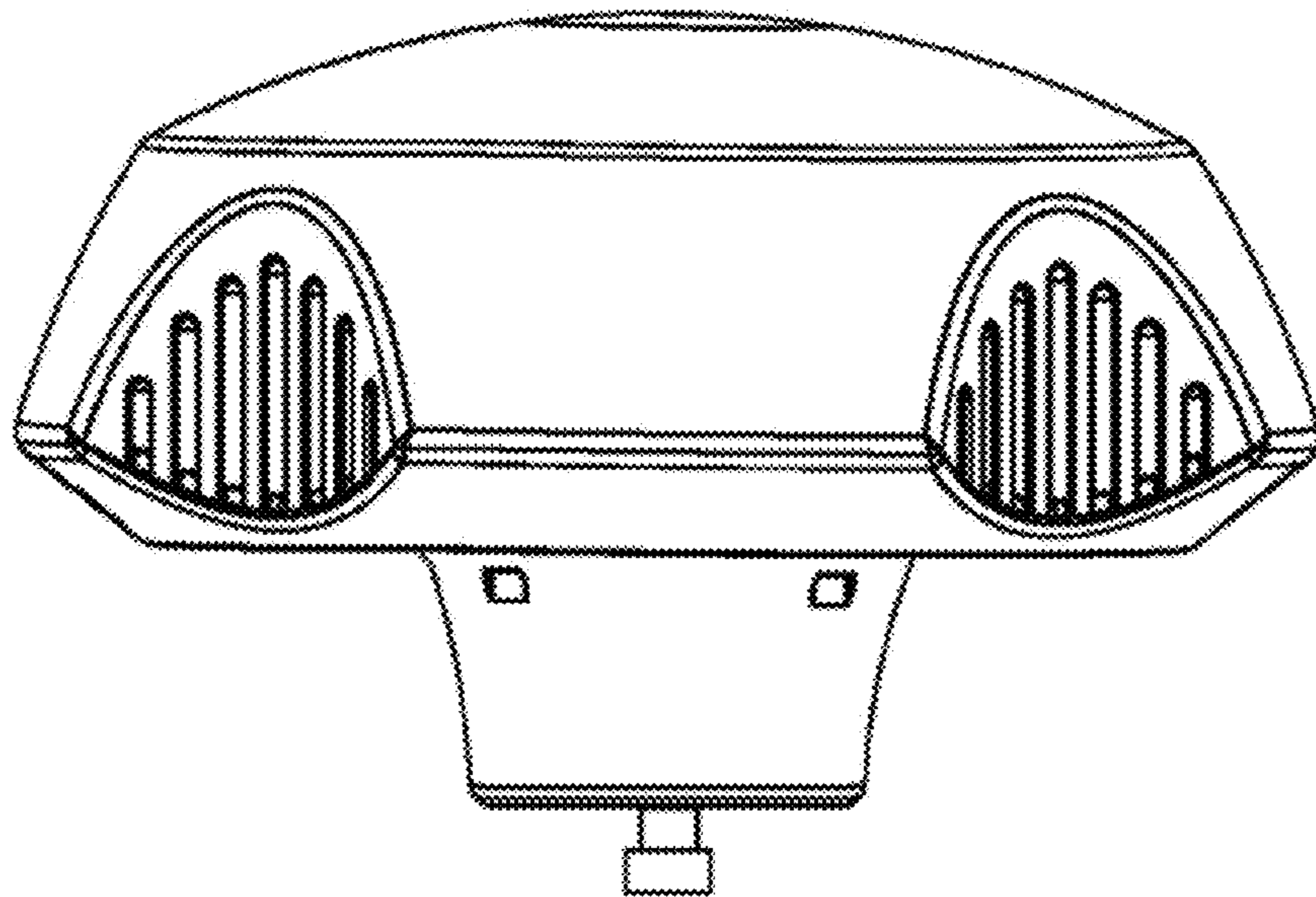


Figure 5

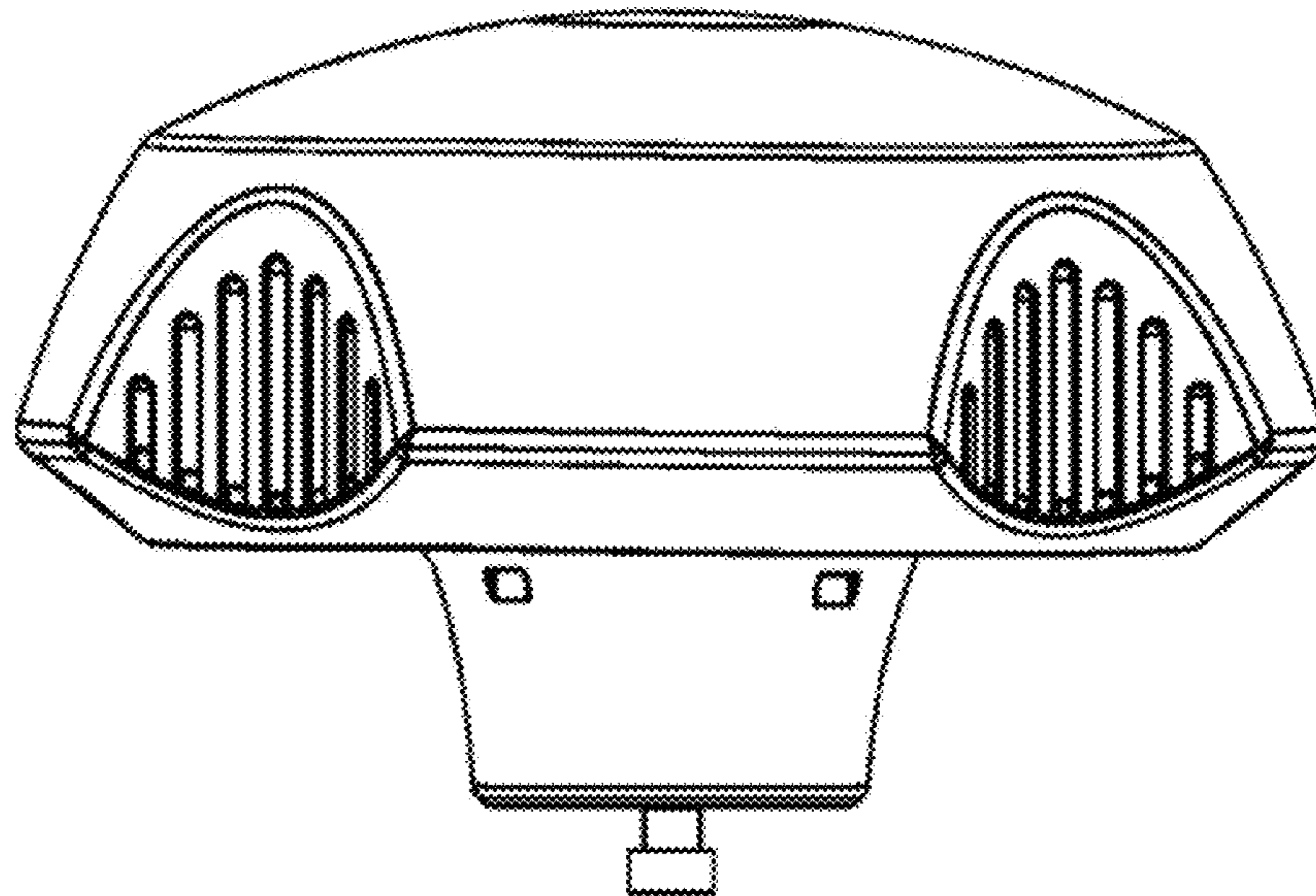


Figure 6