



US00D739960S

(12) **United States Design Patent**
Britton

(10) **Patent No.:** **US D739,960 S**

(45) **Date of Patent:** **** Sep. 29, 2015**

(54) **STRUCTURAL HEADER BEAM**

(71) Applicant: **Rex Britton**, Prescott, AZ (US)

(72) Inventor: **Rex Britton**, Prescott, AZ (US)

(**) Term: **14 Years**

(21) Appl. No.: **29/474,696**

(22) Filed: **Jan. 2, 2015**

(51) **LOC (10) Cl.** **25-01**

(52) **U.S. Cl.**
USPC **D25/126**

(58) **Field of Classification Search**

USPC D25/126

CPC E04B 2/7401; E04B 2/74; E04B 2/7405;
E04B 2/7407; E04B 2/40; E04B 2/296

See application file for complete search history.

(56) **References Cited**

U.S. PATENT DOCUMENTS

3,958,388	A *	5/1976	Hawes	52/584.1
4,091,590	A *	5/1978	Miura	52/591.5
4,349,995	A *	9/1982	Dowler et al.	52/241
D273,711	S *	5/1984	Young	D25/126
D497,211	S *	10/2004	Strassle	D25/126
D603,065	S *	10/2009	Hamilton et al.	D25/126

* cited by examiner

Primary Examiner — Doris Clark

(57) **CLAIM**

The ornamental design for a structural header beam, as shown and described.

DESCRIPTION

FIG. 1 is a perspective view showing my new design for a structural header beam from the front, top, and right side;

FIG. 2 is a perspective view thereof showing the design from the front, top and left side;

FIG. 3 is a perspective view thereof showing the design from the rear, top and left side;

FIG. 4 is a perspective view thereof showing the design from the rear, top and right side;

FIG. 5 is a perspective view thereof showing the design from the front, bottom, and left side;

FIG. 6 is a perspective view thereof showing the design from the front, bottom and right side;

FIG. 7 is a perspective view thereof showing the design from the rear, bottom and right side;

FIG. 8 is a perspective view thereof showing the design from the rear, bottom, and left side;

FIG. 9 is a right-side elevational view thereof;

FIG. 10 is a left-side elevational view thereof; and is a mirror image of the view in FIG. 9,

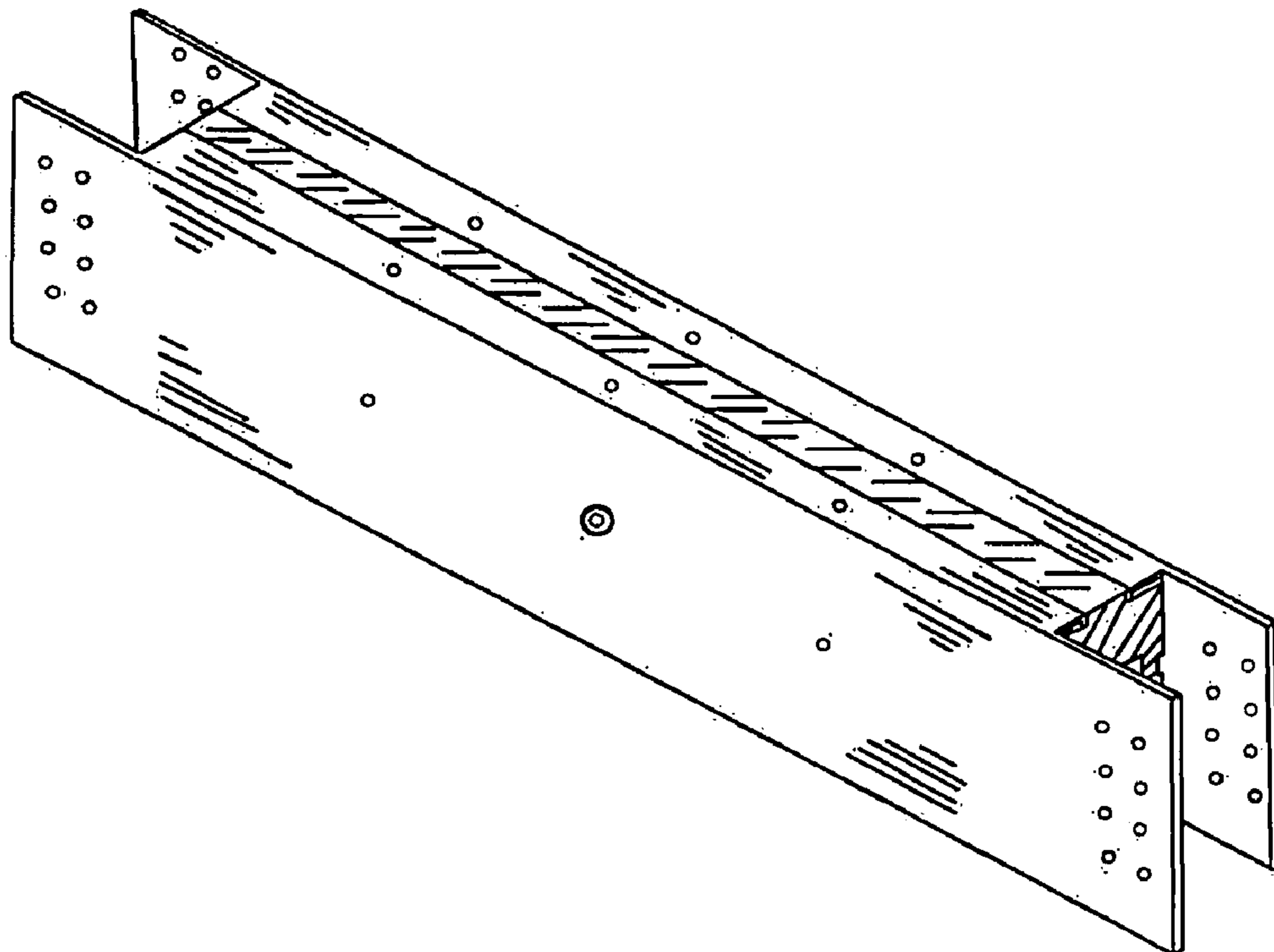
FIG. 11 is a front elevational view thereof;

FIG. 12 is a rear elevational view thereof;

FIG. 13 is a top plan view thereof; and,

FIG. 14 is a bottom plan view thereof.

1 Claim, 11 Drawing Sheets



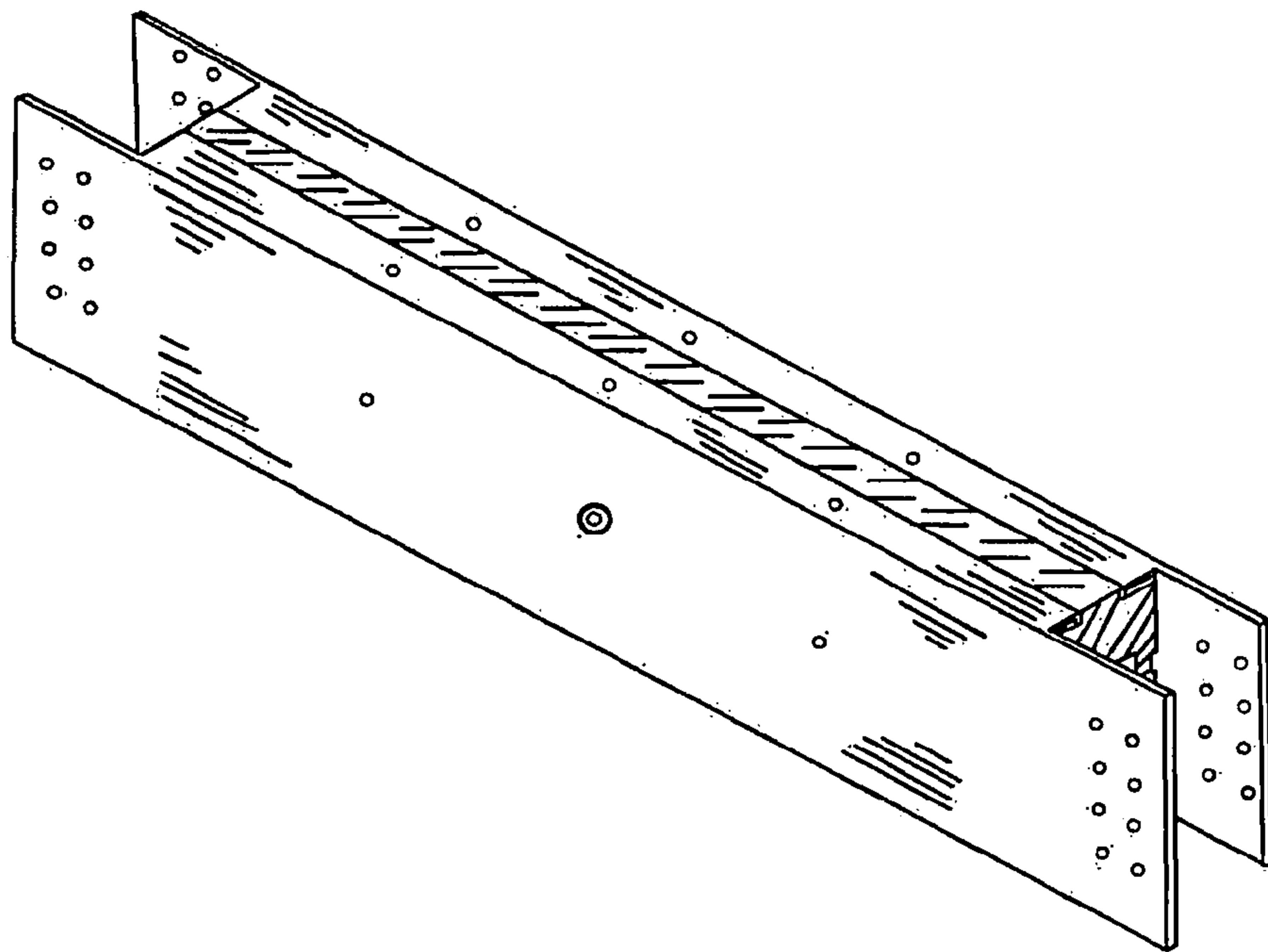


Fig. 1

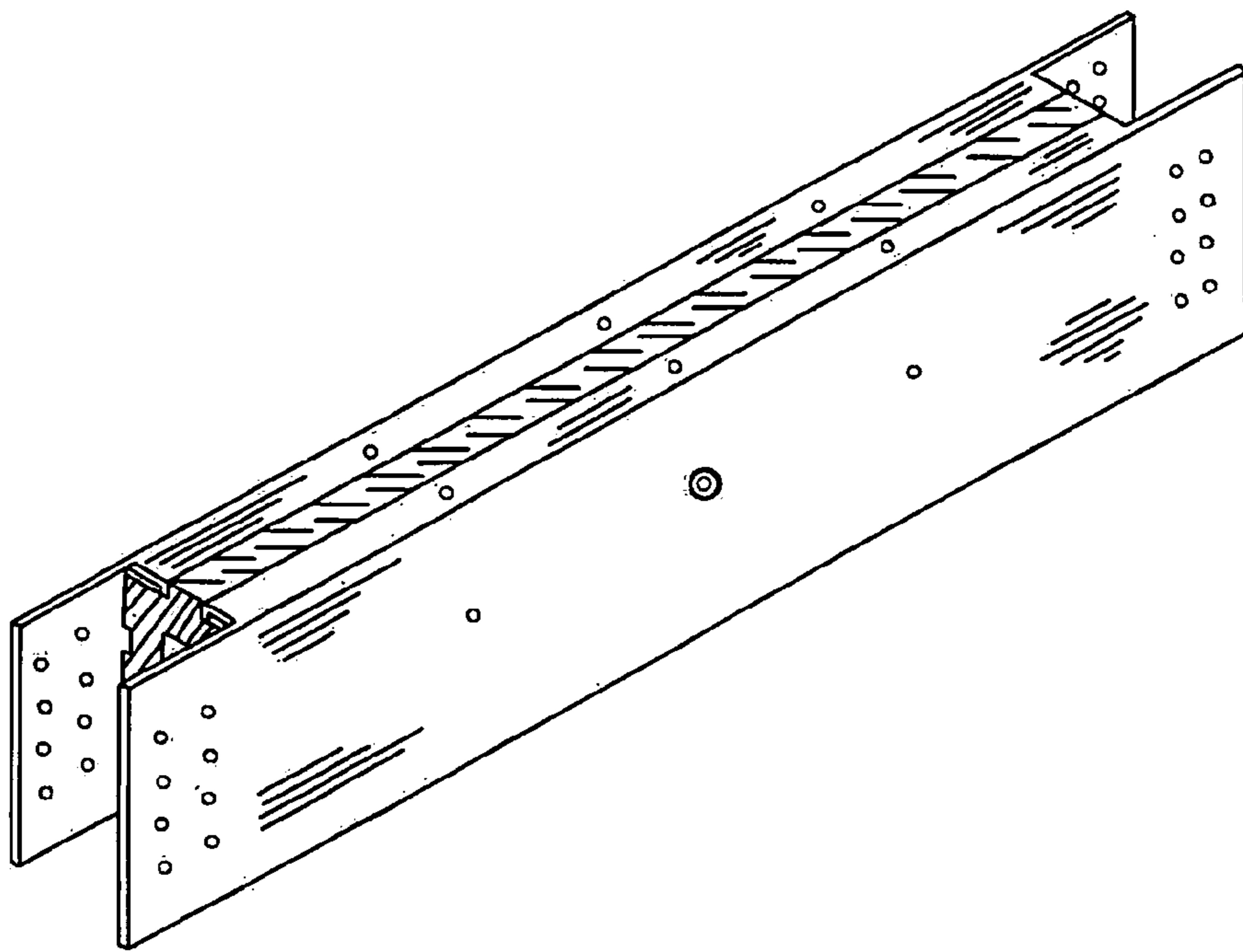


Fig 2

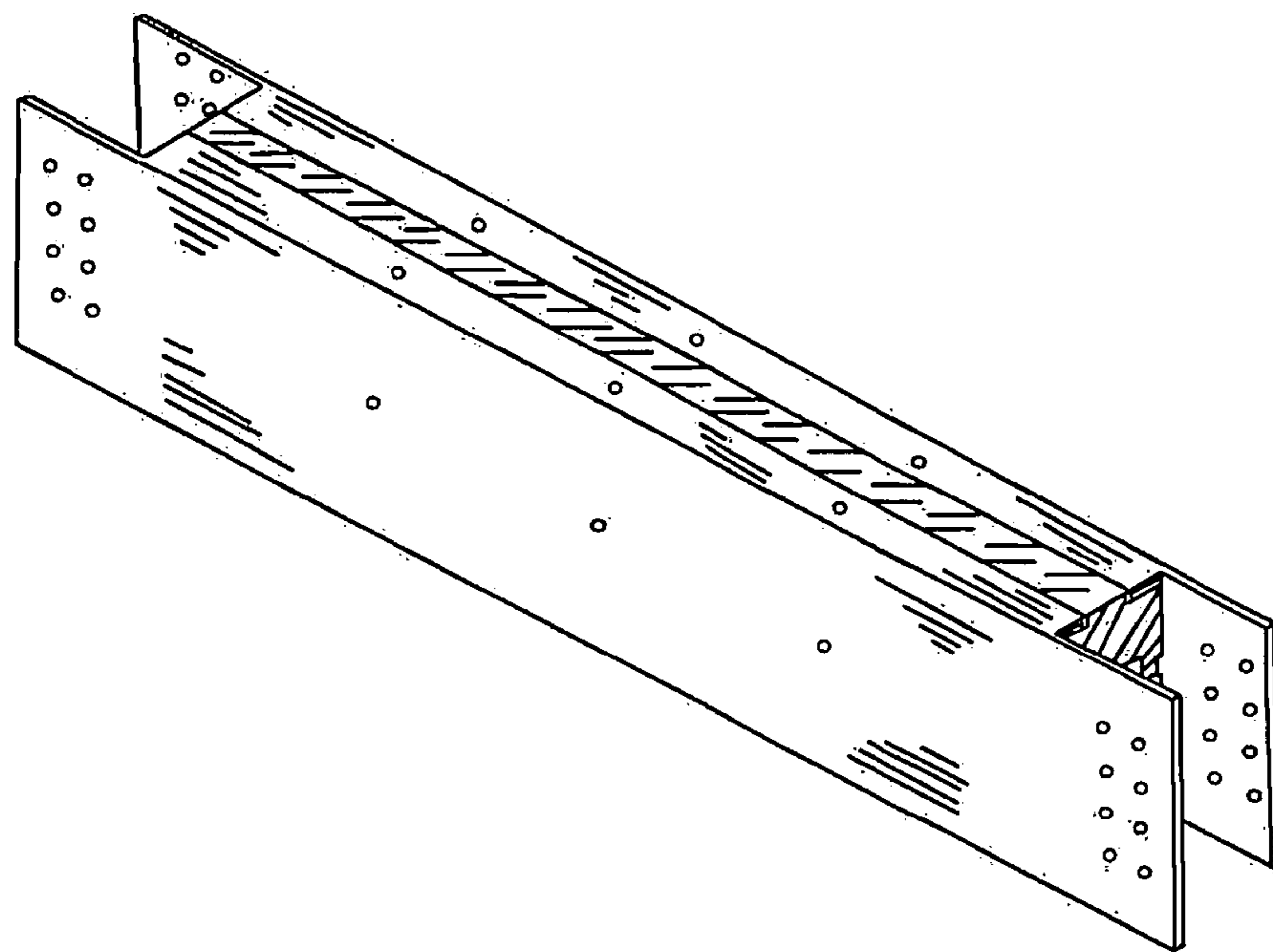


Fig 3

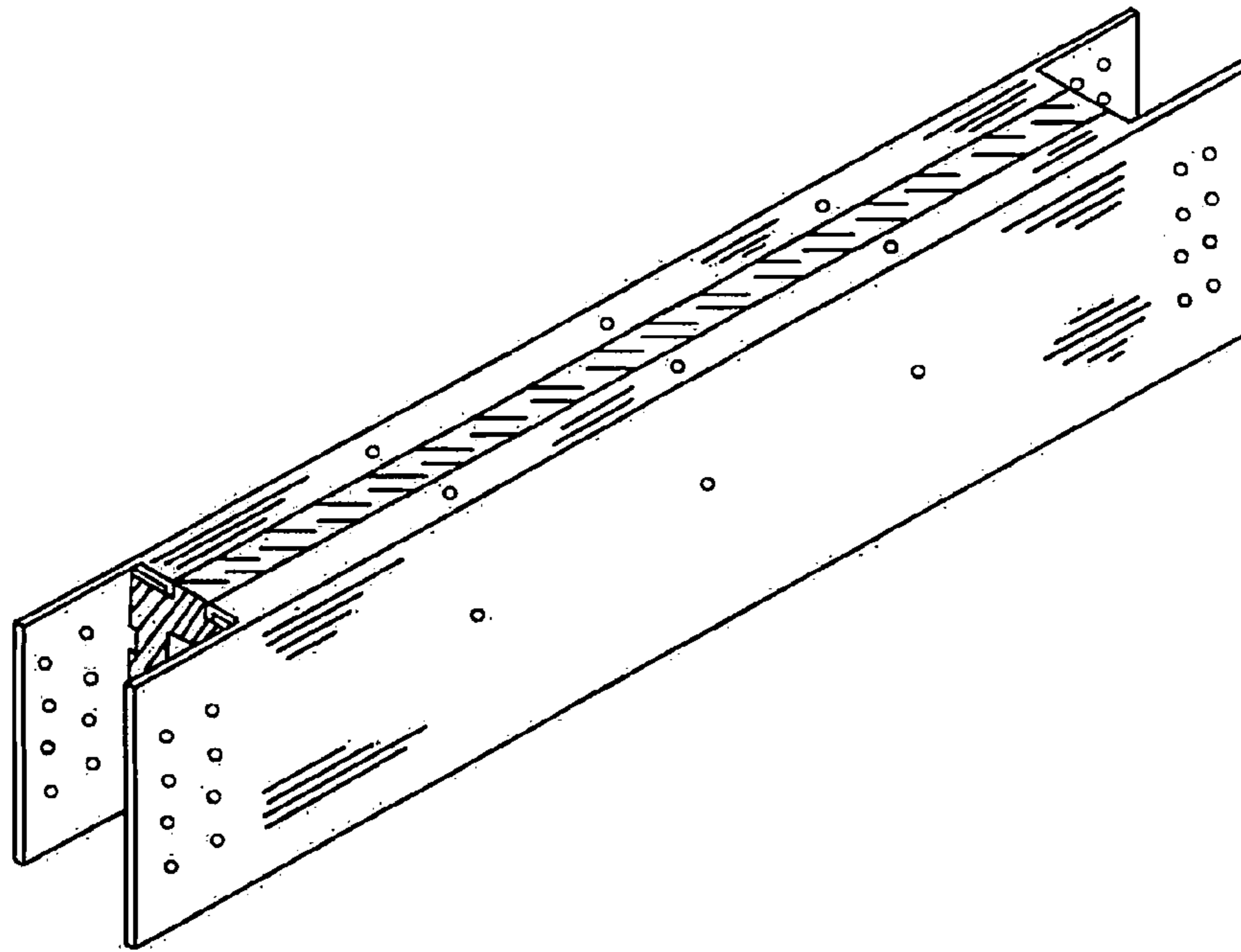


Fig. 4

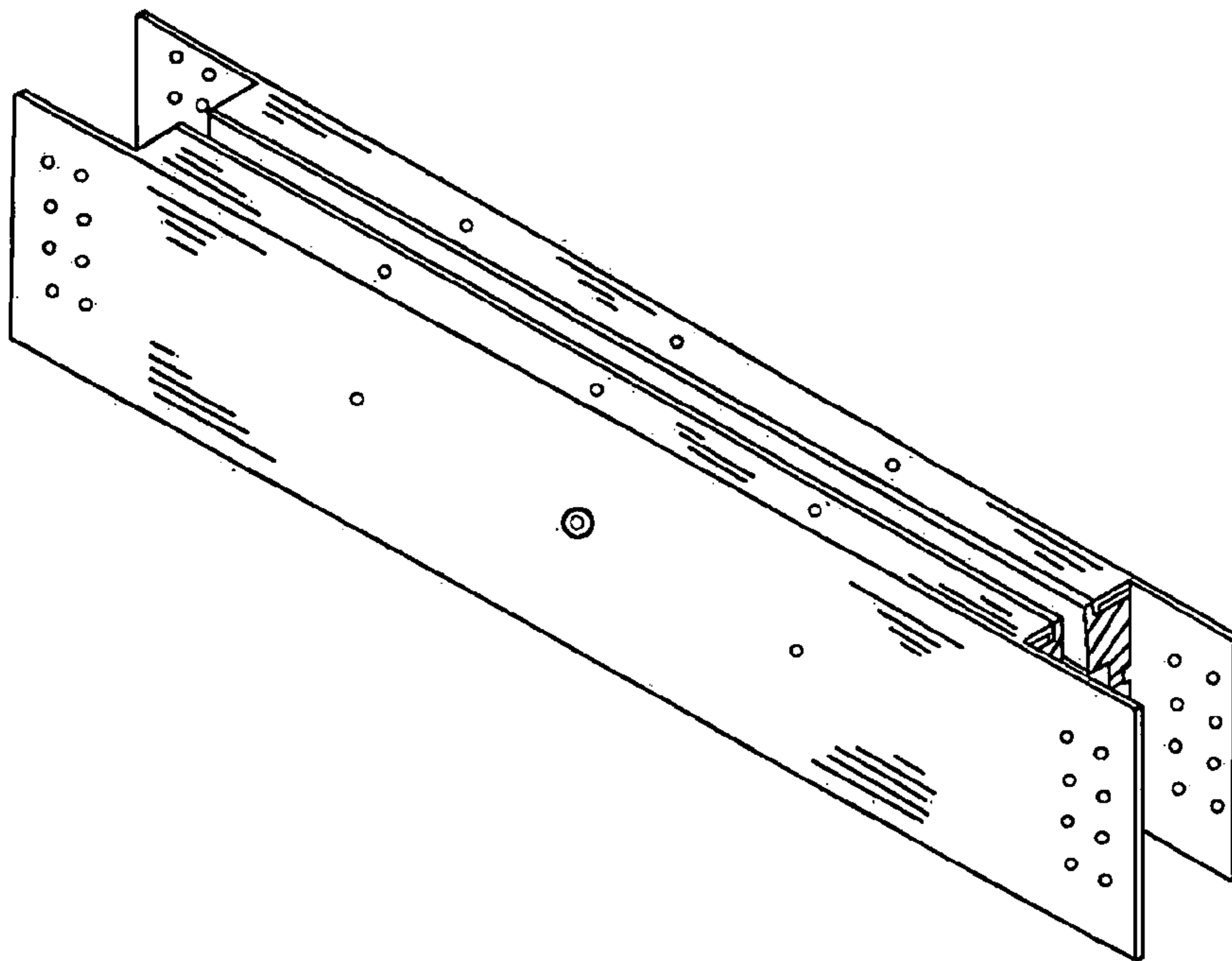


Fig. 5

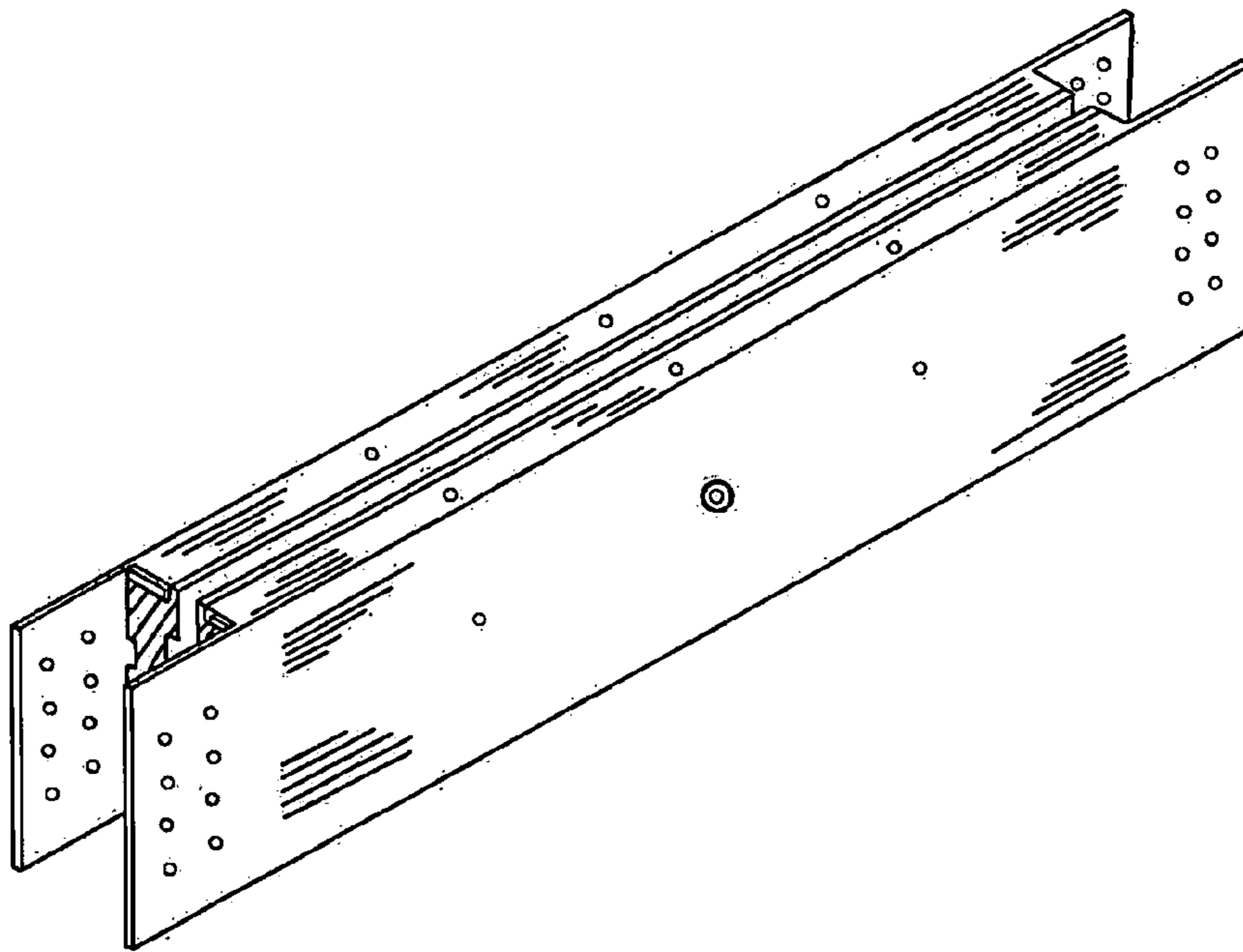


Fig. 6

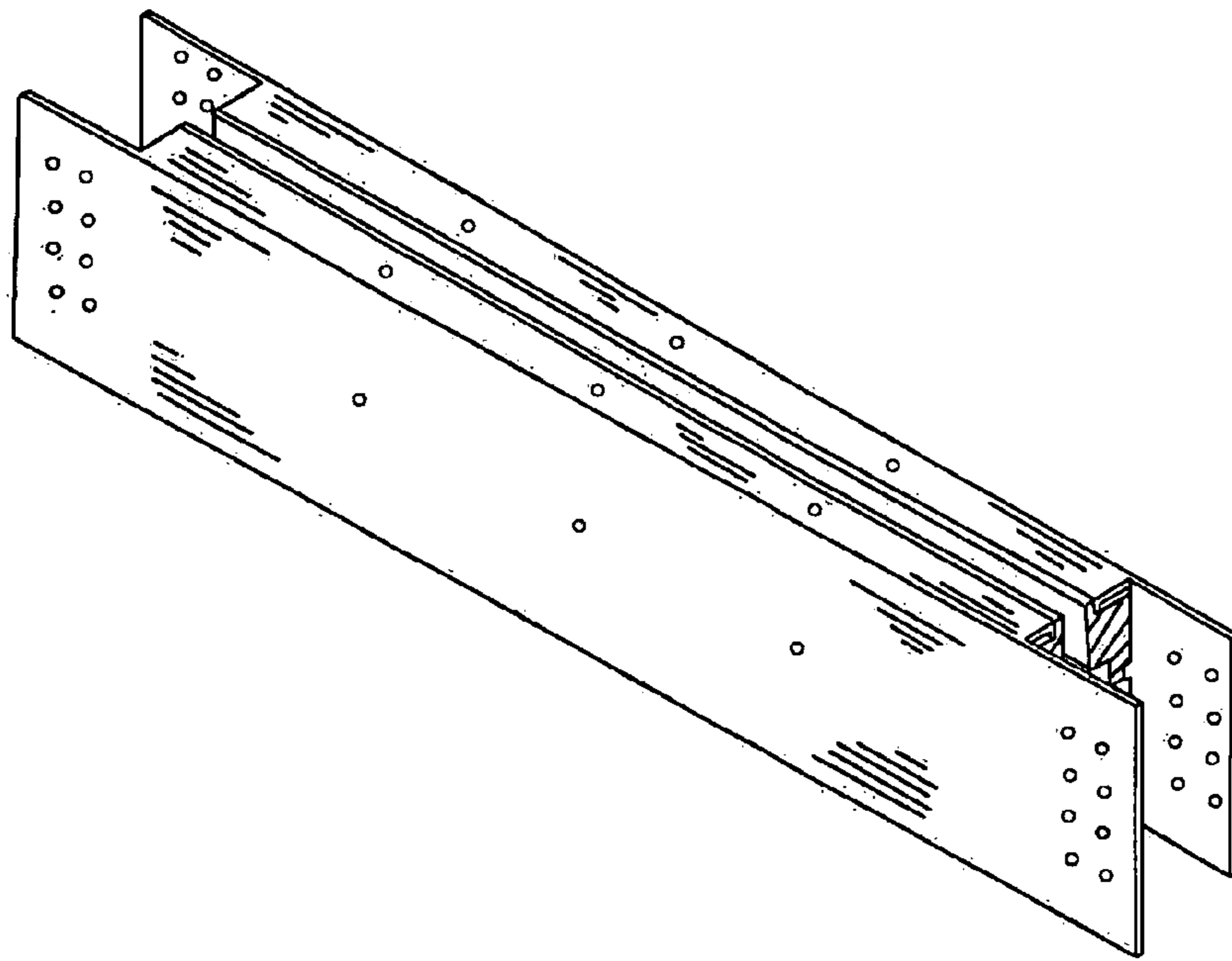


Fig 7

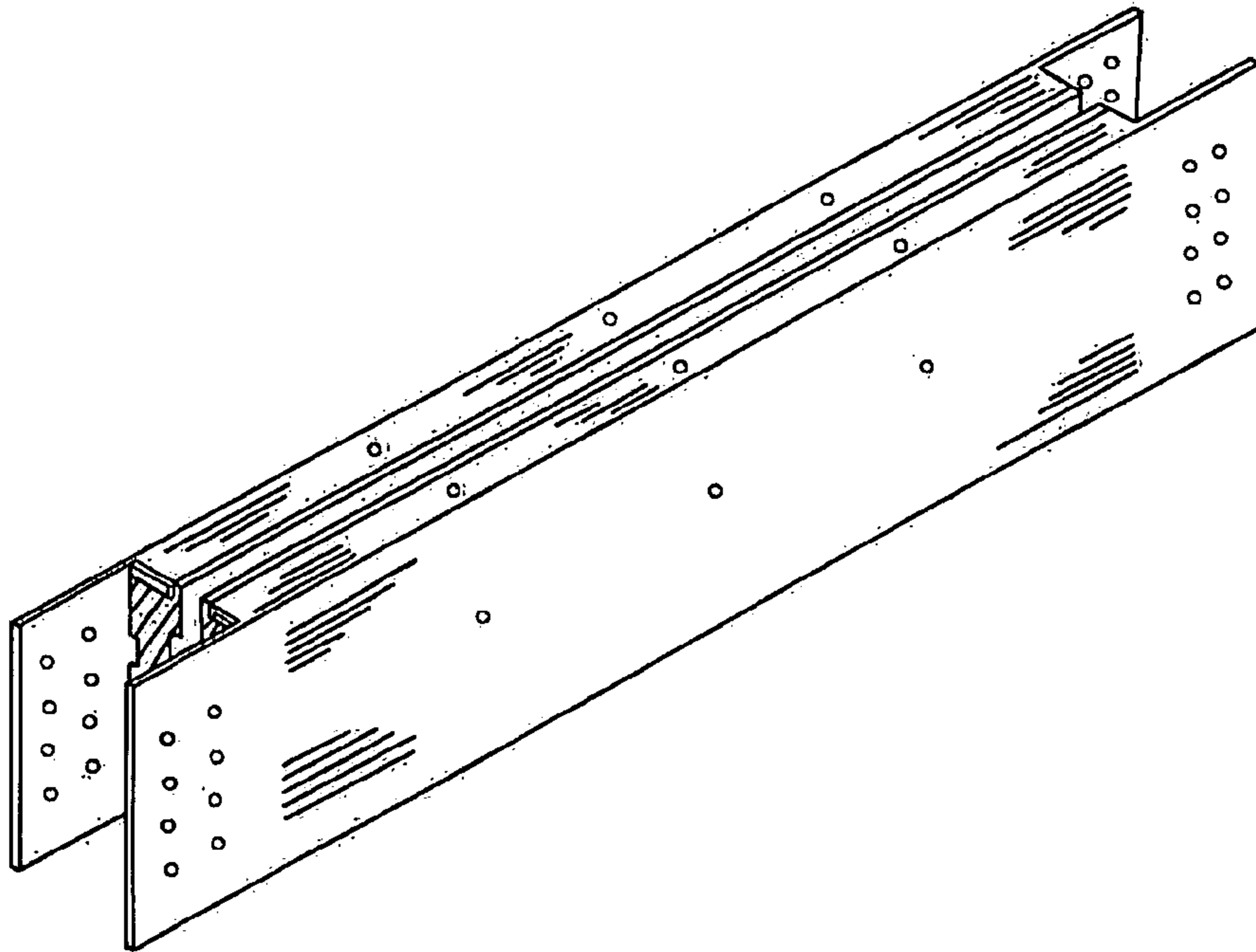


Fig. 8

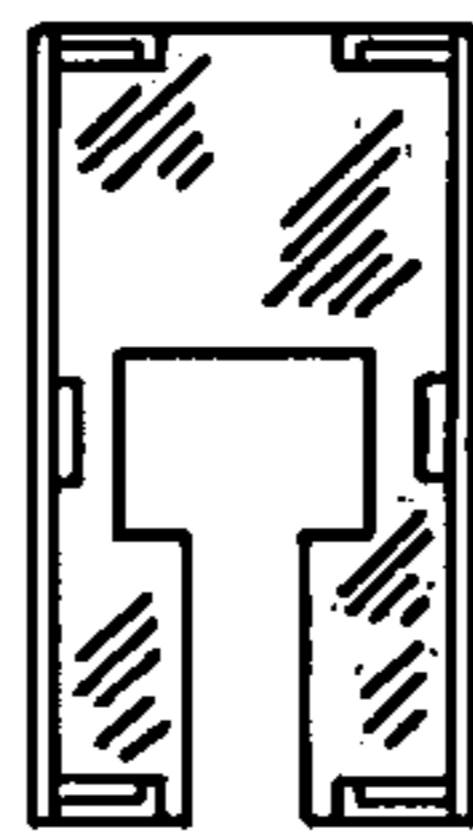


Fig. 9

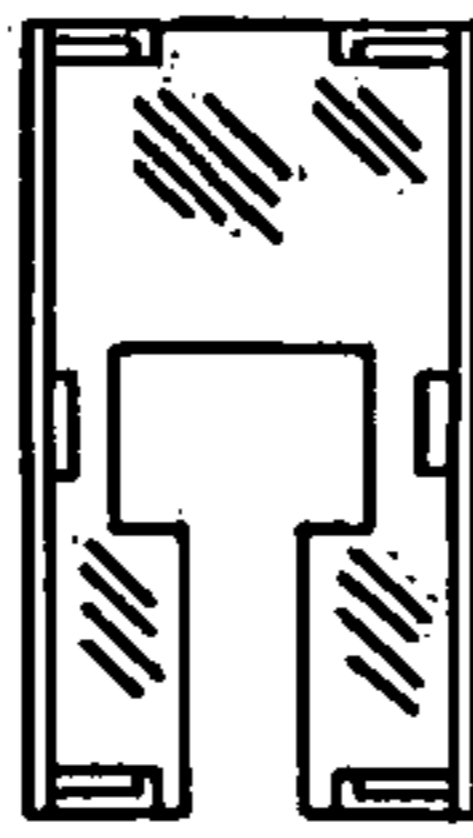


Fig. 10



Fig. 11

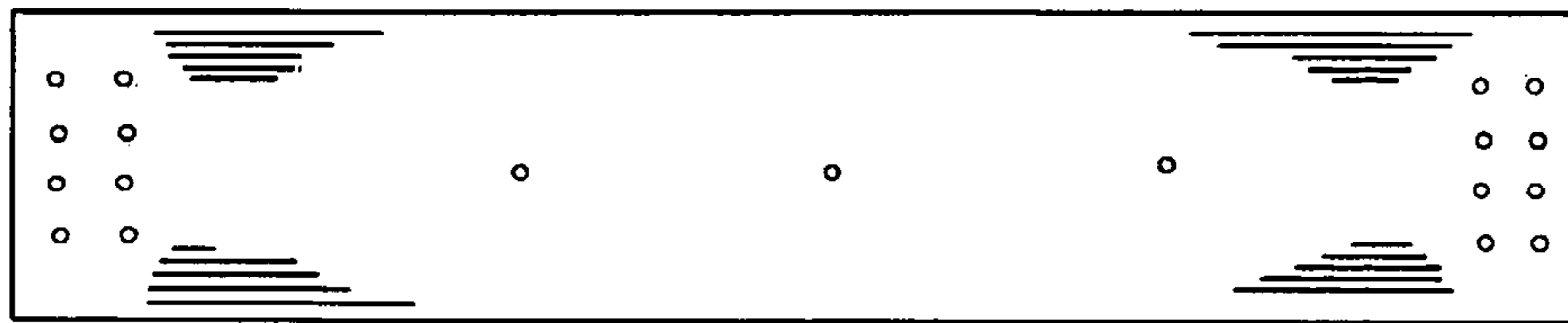


Fig. 12

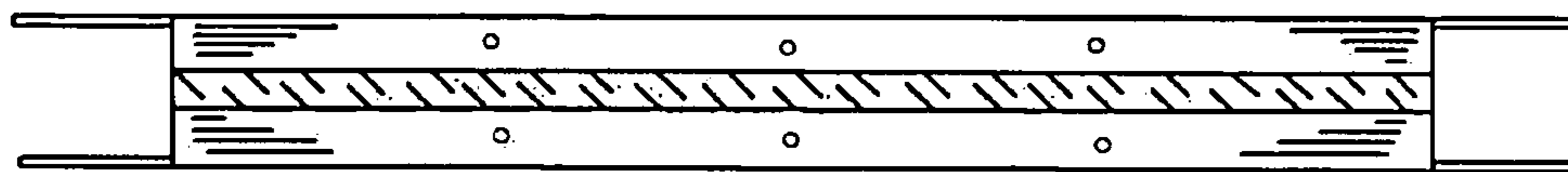


Fig. 13

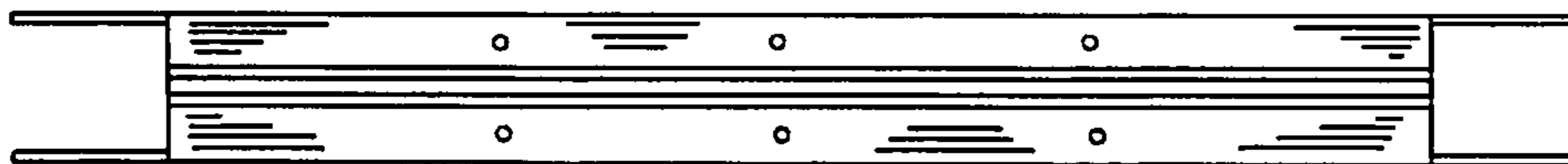


Fig. 14