



US00D739958S

(12) **United States Design Patent**  
**Bangura**

(10) **Patent No.:** **US D739,958 S**

(45) **Date of Patent:** **\*\* Sep. 29, 2015**

(54) **PERSONAL FIRE ESCAPE LADDER**

(56) **References Cited**

(71) Applicant: **Aminata Bangura**, Hyde Park, MA  
(US)

U.S. PATENT DOCUMENTS

(72) Inventor: **Aminata Bangura**, Hyde Park, MA  
(US)

576,390	A *	2/1897	Williams	182/106
6,244,380	B1 *	6/2001	Naccarato	182/70
D497,007	S *	10/2004	Weber et al.	D25/64
8,162,105	B1 *	4/2012	Ohland	182/74
2004/0031646	A1 *	2/2004	Huang	182/198

(\*\*) Term: **14 Years**

\* cited by examiner

*Primary Examiner* — Doris Clark

(21) Appl. No.: **29/491,874**

(57) **CLAIM**

I claim the ornamental design for the personal fire escape ladder, as shown and described.

(22) Filed: **May 27, 2014**

**DESCRIPTION**

(51) **LOC (10) Cl.** ..... **25-04**

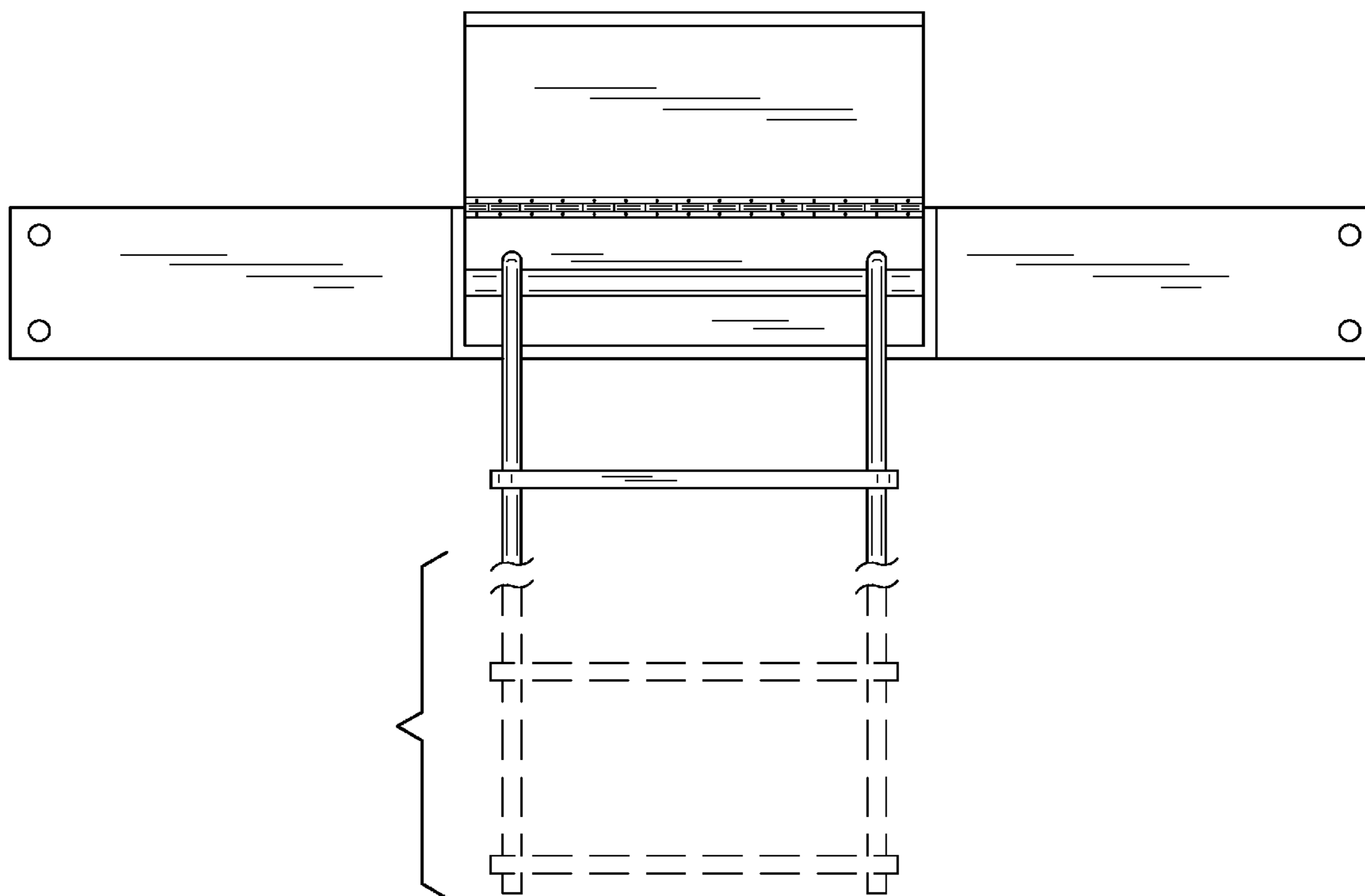
(52) **U.S. Cl.**  
USPC ..... **D25/64**

(58) **Field of Classification Search**  
USPC ..... D25/62  
CPC ..... E06C 1/34; E06C 1/56; E06C 1/54;  
E06C 9/00; E06C 9/085; E06C 9/02; E06C  
9/08; E06C 9/14

FIG. 1 is a front view of the personal fire escape ladder.  
FIG. 2 is a rear view of the claimed design.  
FIG. 3 is a top view of the claimed design.  
FIG. 4 is a bottom view of the claimed design.  
FIG. 5 is a left side view of the claimed design; and,  
FIG. 6 is a perspective view of the claimed design.  
The rails of the personal fire escape ladder are broken to indicate indeterminate length of the personal fire escape ladder.

See application file for complete search history.

**1 Claim, 5 Drawing Sheets**



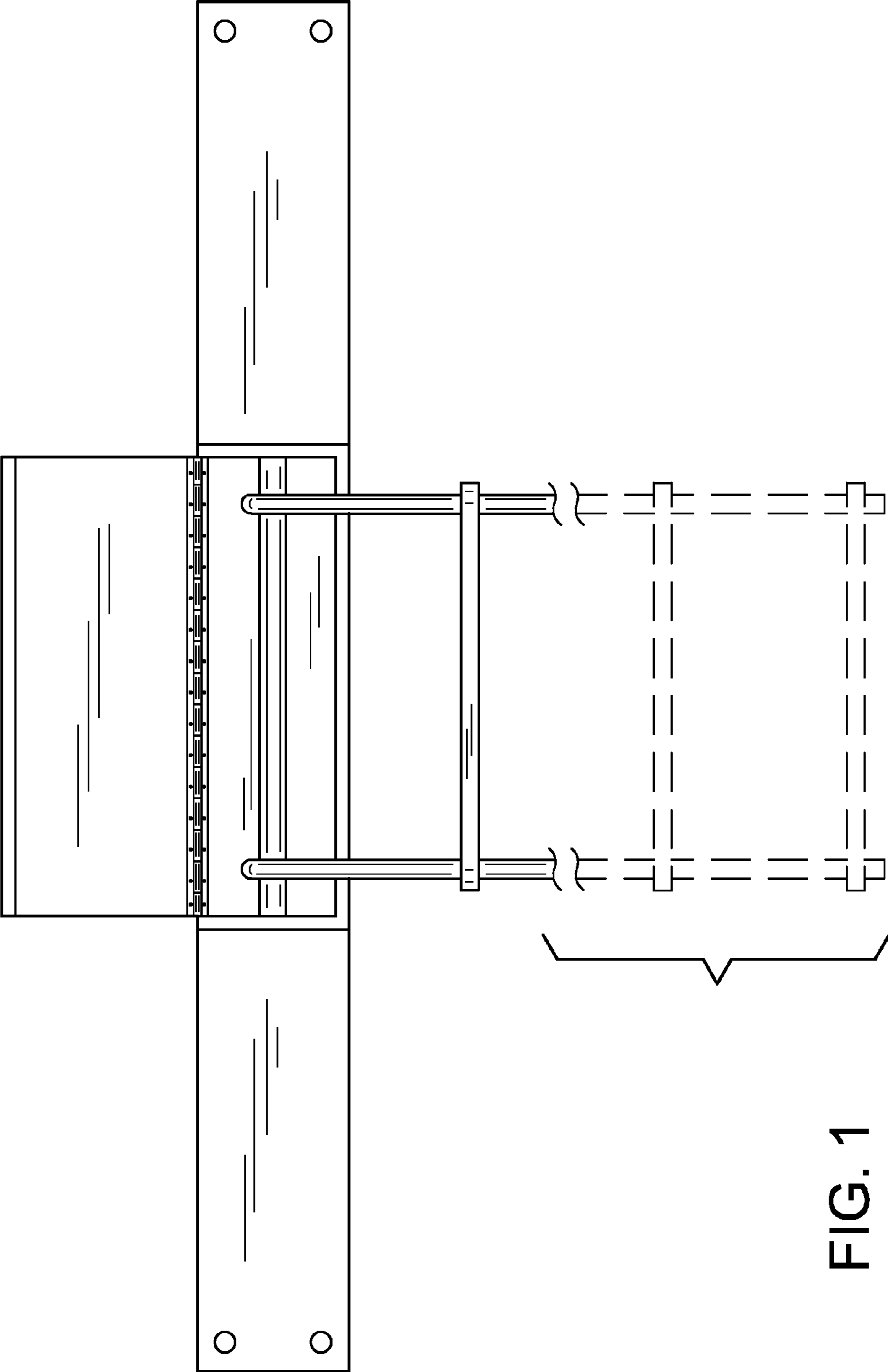


FIG. 1

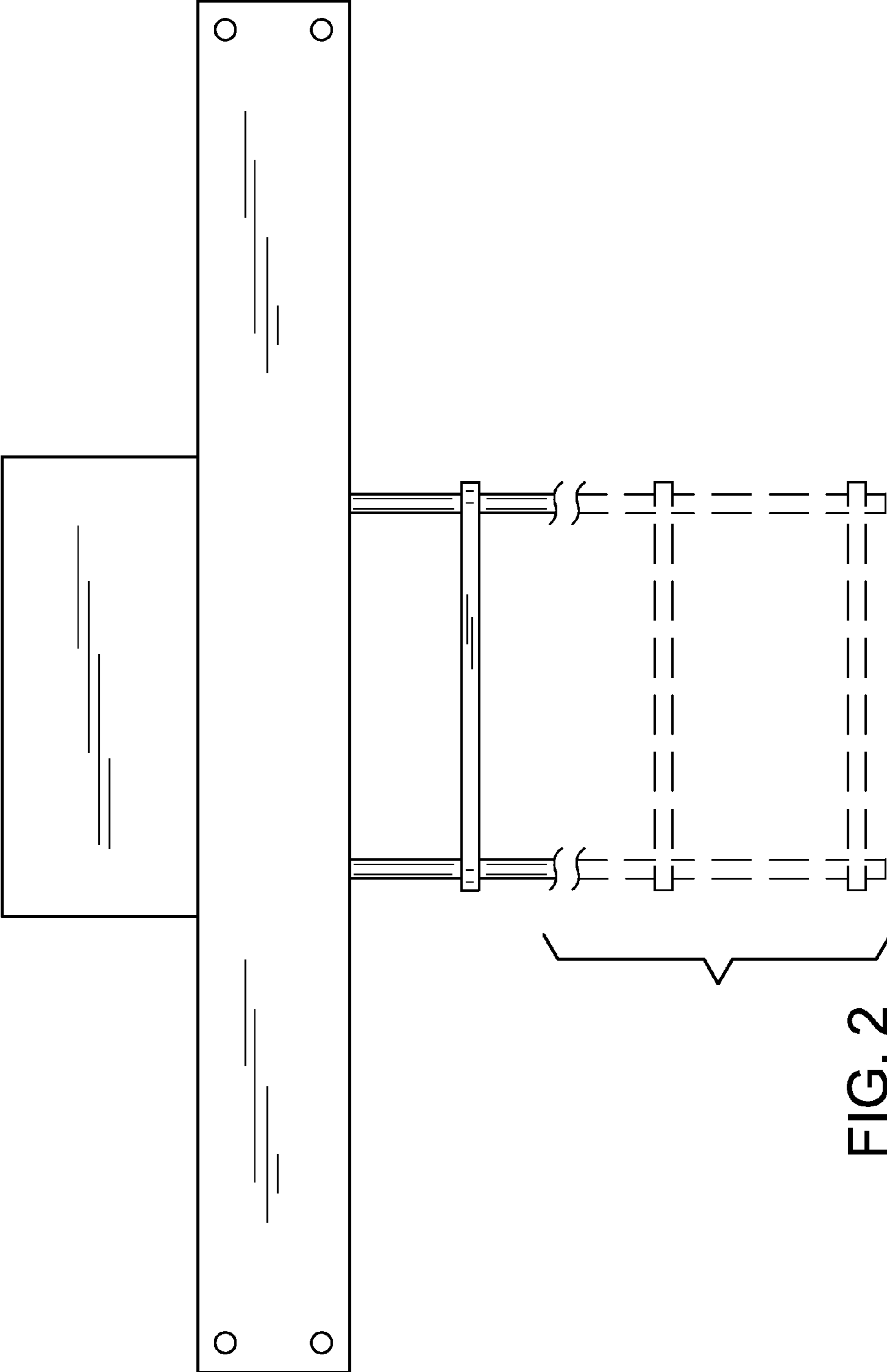


FIG. 2



FIG. 3

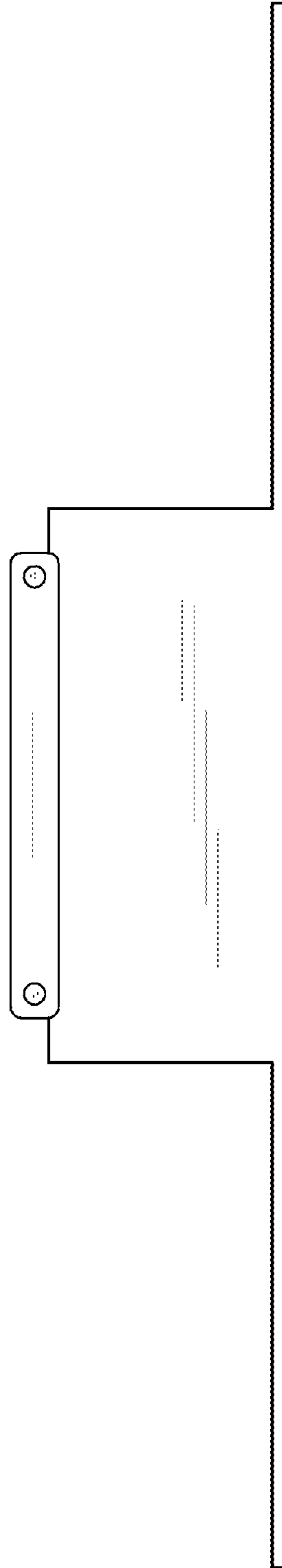


FIG. 4

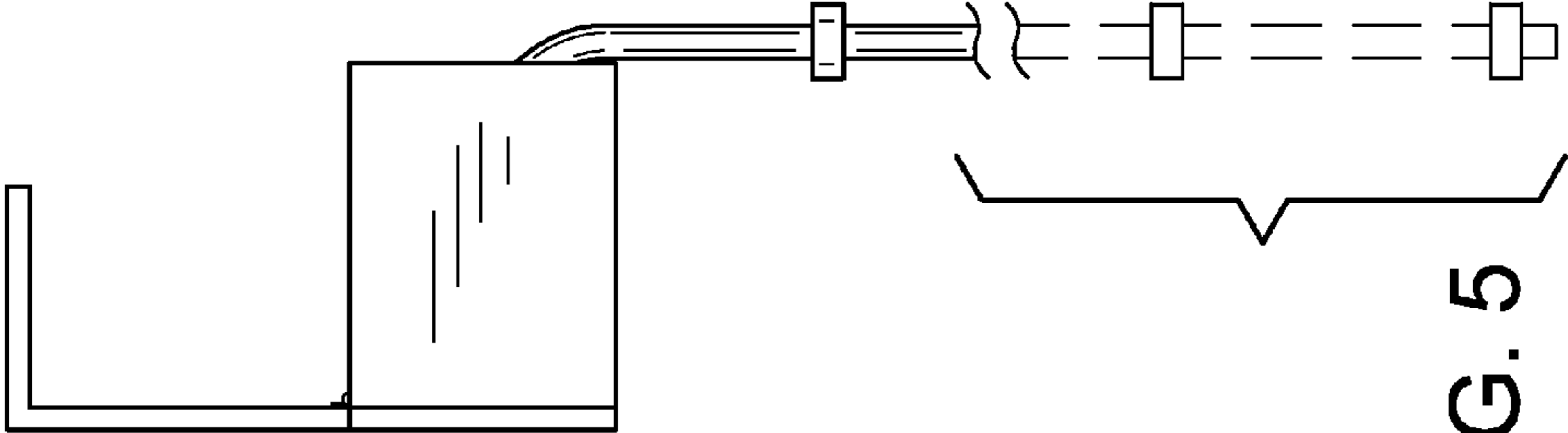


FIG. 5

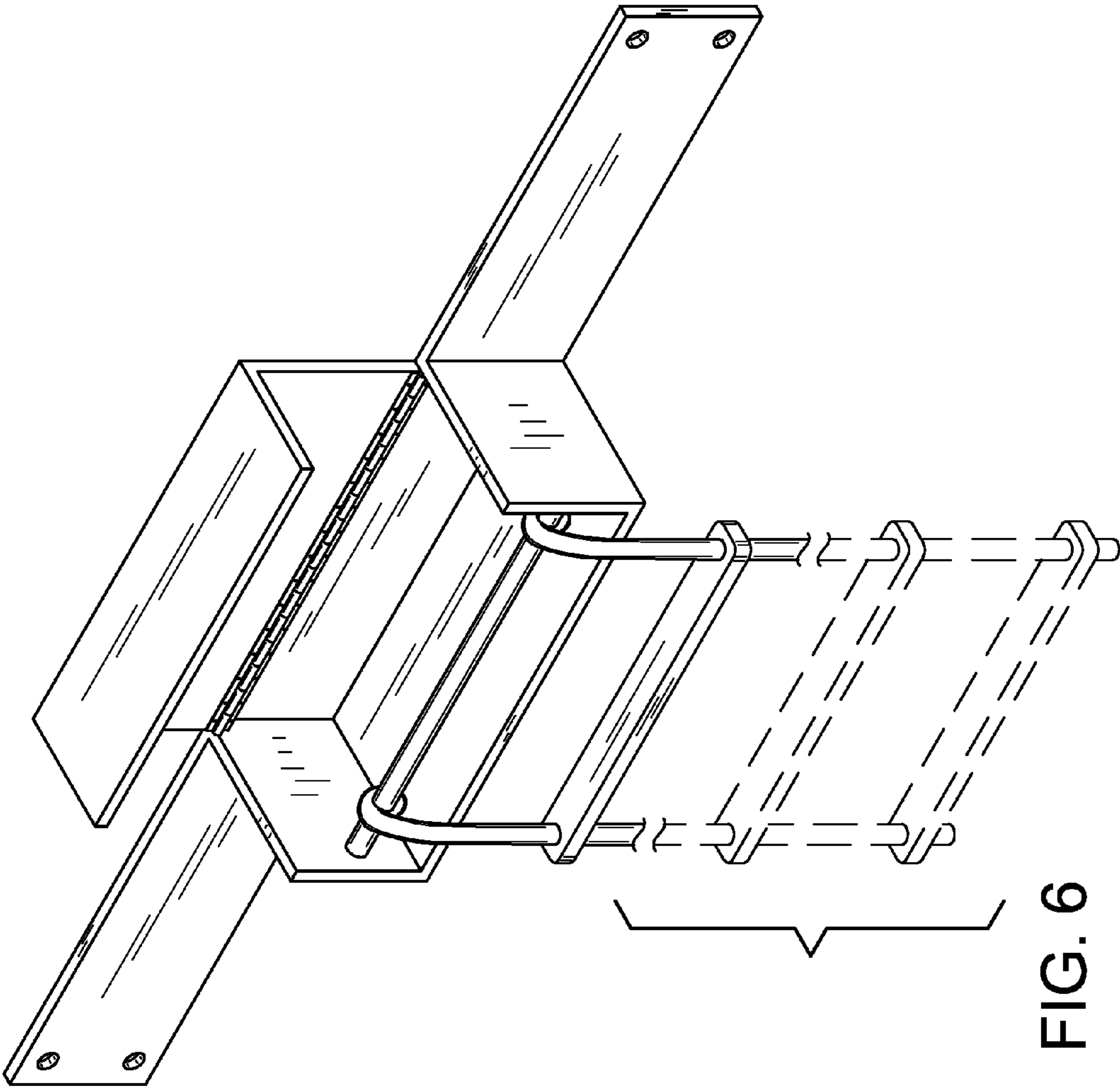


FIG. 6