

US00D739957S

(12) **United States Design Patent**  
**Gulbrandsen et al.**

(10) **Patent No.:** **US D739,957 S**

(45) **Date of Patent:** **\*\* Sep. 29, 2015**

(54) **CROSS TEE WITH A HOLE LOCKING TAB**

(56) **References Cited**

(71) Applicant: **USG Interiors, LLC**, Chicago, IL (US)

U.S. PATENT DOCUMENTS

(72) Inventors: **Peder J. Gulbrandsen**, Aurora, IL (US);  
**Mark R. Paulsen**, Beack Park, IL (US);  
**Abraham M. Underkofler**, Waukegan,  
IL (US)

4,314,432 A \* 2/1982 Rosenbaum ..... 52/506.07  
D577,835 S 9/2008 Raheel et al.  
D652,951 S \* 1/2012 Crane et al. .... D25/61  
2003/0172609 A1 \* 9/2003 Rebman ..... 52/506.07

\* cited by examiner

(73) Assignee: **USG INTERIORS, LLC**, Chicago, IL  
(US)

*Primary Examiner* — Doris Clark

(74) *Attorney, Agent, or Firm* — Pearne & Gordon LLP

(\*\*) Term: **14 Years**

(57) **CLAIM**

The ornamental design for a cross tee with a hole locking tab,  
as shown and described.

(21) Appl. No.: **29/472,216**

**DESCRIPTION**

(22) Filed: **Nov. 11, 2013**

FIG. 1 is an isometric view of a cross tee with a hole locking  
tab showing our new design;

(51) **LOC (10) Cl.** ..... **25-02**

FIG. 2 is a top plan view thereof;

(52) **U.S. Cl.**  
USPC ..... **D25/61**

FIG. 3 is a side elevational view thereof, the opposite side  
being identical;

(58) **Field of Classification Search**  
USPC ..... D25/61, 164; 52/506.06, 506.07,  
52/506.09, 506.01

FIG. 4 is an end view thereof, the opposite end being identi-  
cal; and,

FIG. 5 is a bottom view thereof.

See application file for complete search history.

**1 Claim, 1 Drawing Sheet**

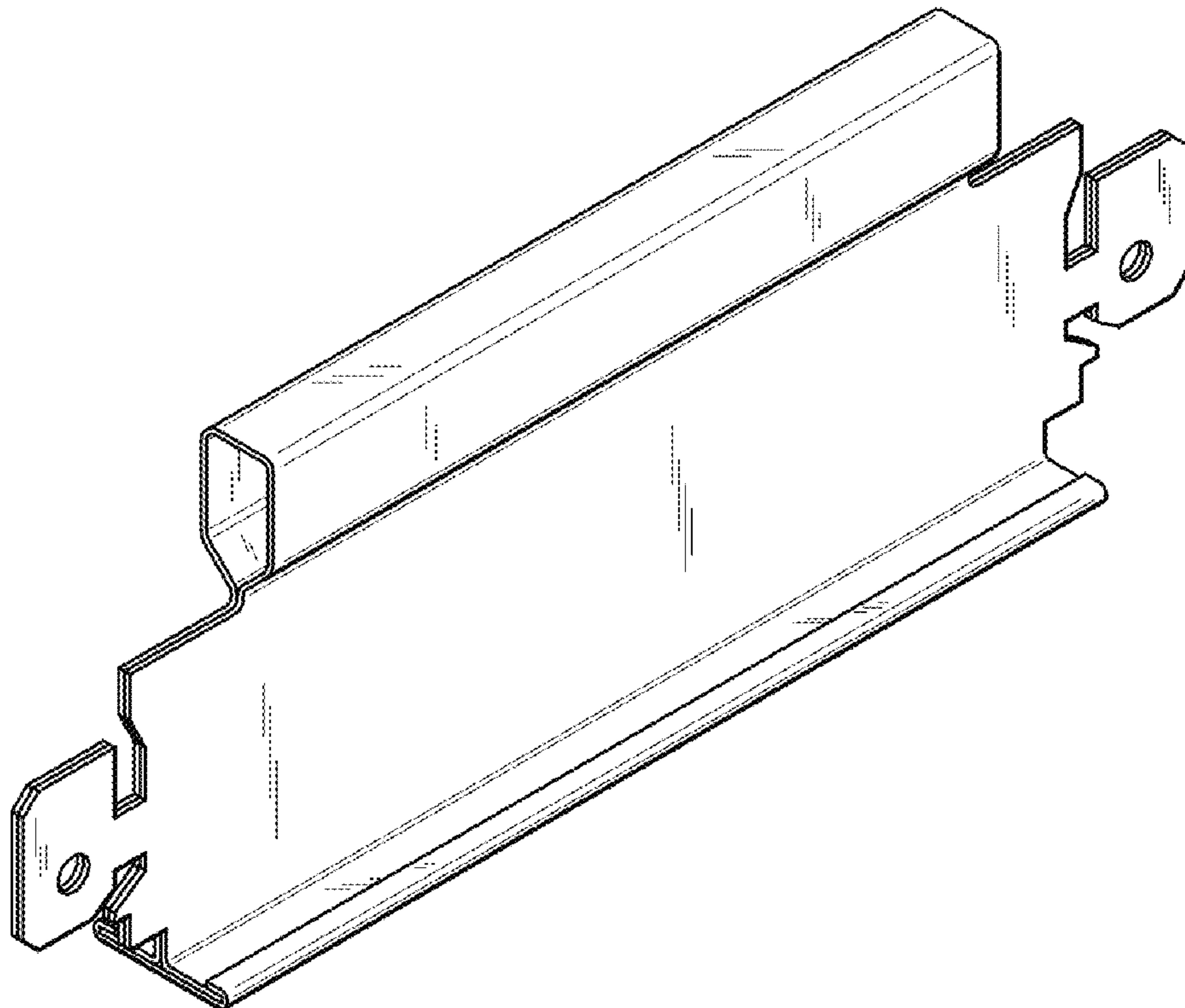


FIG. 1

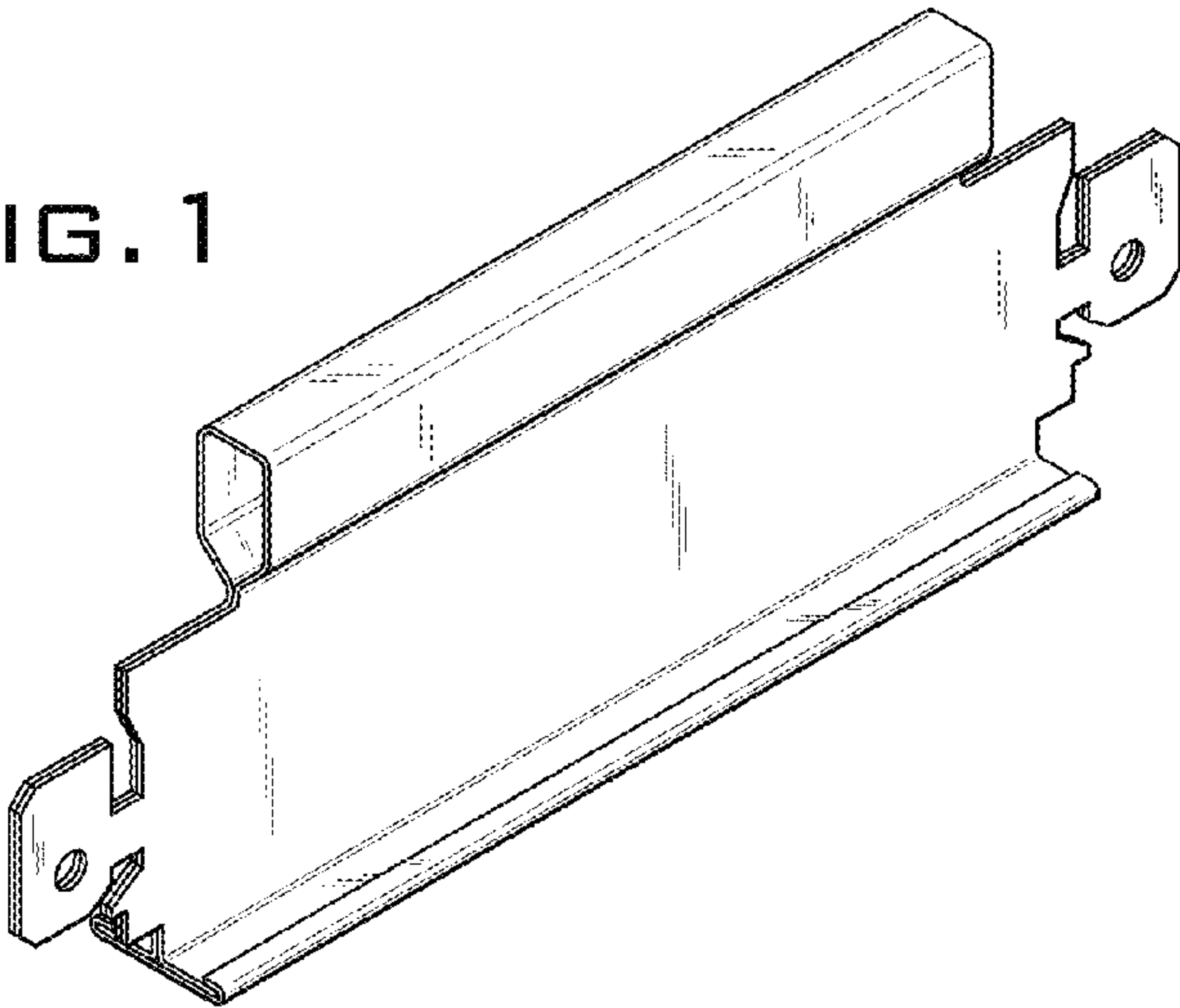


FIG. 2

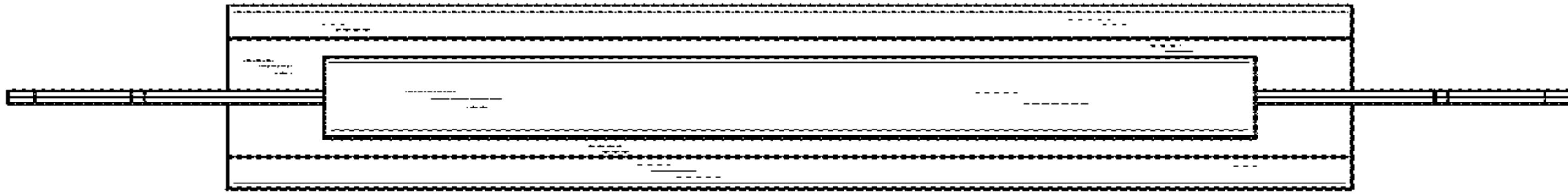


FIG. 3

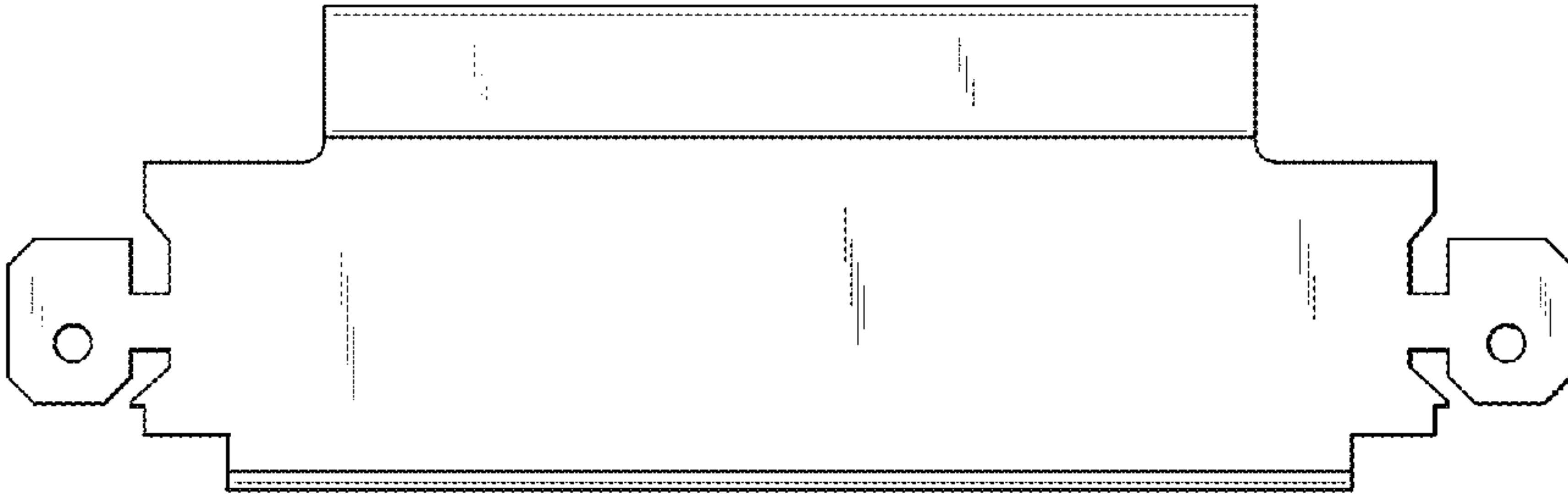


FIG. 4

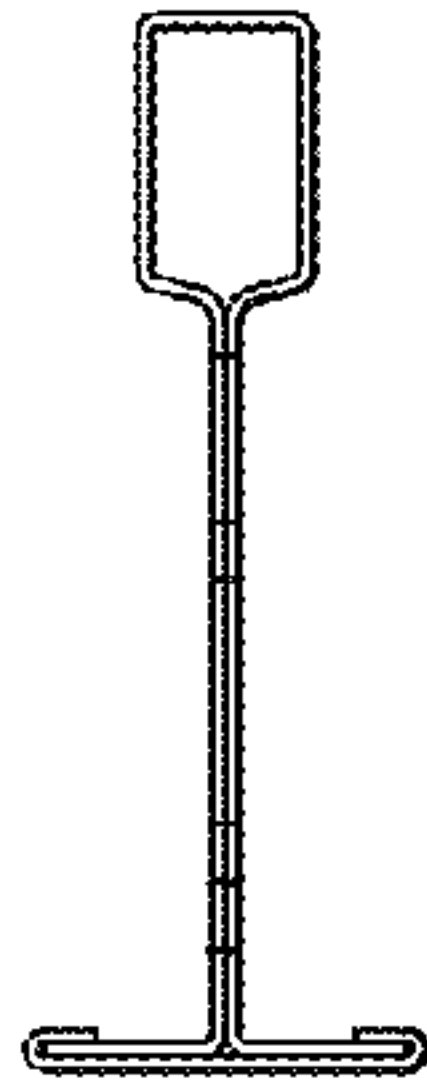


FIG. 5



UNITED STATES PATENT AND TRADEMARK OFFICE  
**CERTIFICATE OF CORRECTION**

PATENT NO. : D739,957 S  
APPLICATION NO. : 29/472216  
DATED : September 29, 2015  
INVENTOR(S) : Peder J. Gulbrandsen et al.

Page 1 of 1

It is certified that error appears in the above-identified patent and that said Letters Patent is hereby corrected as shown below:

On the Title page of the patent, item (72) Inventors, second inventor Mark R. Paulsen's residence city should read --Beach Park--.

Signed and Sealed this  
Twentieth Day of September, 2016



Michelle K. Lee  
*Director of the United States Patent and Trademark Office*