

US00D739949S

(12) **United States Design Patent**
Lee

(10) **Patent No.:** **US D739,949 S**
(45) **Date of Patent:** **** Sep. 29, 2015**

- (54) **LOWER BODY SAUNA**
 - (71) Applicant: **Sang Won Lee**, Yorba Linda, CA (US)
 - (72) Inventor: **Sang Won Lee**, Yorba Linda, CA (US)
 - (**) Term: **14 Years**
 - (21) Appl. No.: **29/493,151**
 - (22) Filed: **Jun. 5, 2014**
 - (51) **LOC (10) Cl.** **24-04**
 - (52) **U.S. Cl.**
USPC **D24/203**
 - (58) **Field of Classification Search**
USPC D24/201–205; 4/524, 526, 528, 531,
4/532
- See application file for complete search history.

7,458,111 B2 *	12/2008	Sappenfield et al.	4/524
7,784,118 B2 *	8/2010	Lee	4/531
7,784,120 B2 *	8/2010	Spicer	4/592
D663,855 S *	7/2012	Zack et al.	D24/203

* cited by examiner

Primary Examiner — David Muller
(74) *Attorney, Agent, or Firm* — John K. Park; Park Law Firm

(57) **CLAIM**
The ornamental design for a lower body sauna, as shown and described.

DESCRIPTION

FIG. 1 is a perspective view of a lower body sauna showing my new design;
FIG. 2 is a side view thereof;
FIG. 3 is a front view thereof;
FIG. 4 is a rear view thereof;
FIG. 5 is a top plan view thereof; and,
FIG. 6 is a bottom view thereof.
The features shown in broken lines depict environmental structure only and form no part of the claimed design. Dashed boundary lines enclosing the broken line interior features in FIGS. 1 and 5 depict environmental structure only and form no part of the claimed design.

- (56) **References Cited**
U.S. PATENT DOCUMENTS
- | | | | | |
|----------------|---------|---------------------------|-------|---------|
| D255,267 S * | 6/1980 | Sinaiko | | D24/205 |
| D257,490 S * | 11/1980 | Davis | | D24/202 |
| D271,523 S * | 11/1983 | Richburg | | D24/204 |
| 5,117,481 A * | 5/1992 | Sung | | 392/416 |
| D341,425 S * | 11/1993 | Lee | | D24/203 |
| 5,446,929 A * | 9/1995 | Sills et al. | | 4/555 |
| D455,497 S * | 4/2002 | Jensen et al. | | D24/203 |
| 6,965,097 B2 * | 11/2005 | Lee | | 219/492 |
| D548,848 S * | 8/2007 | Schwarzenberger
et al. | | D24/203 |

1 Claim, 4 Drawing Sheets

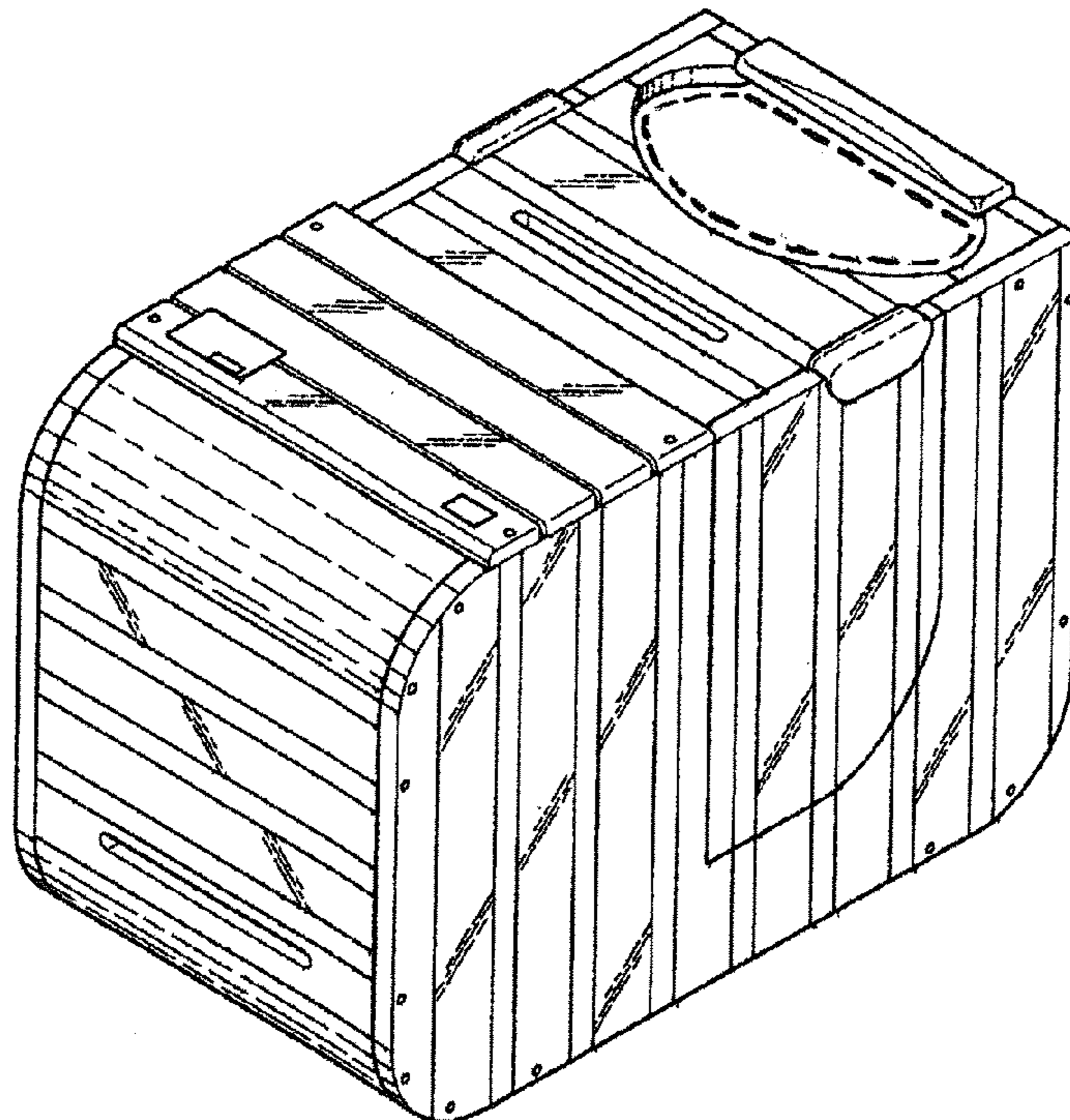


FIG. 1

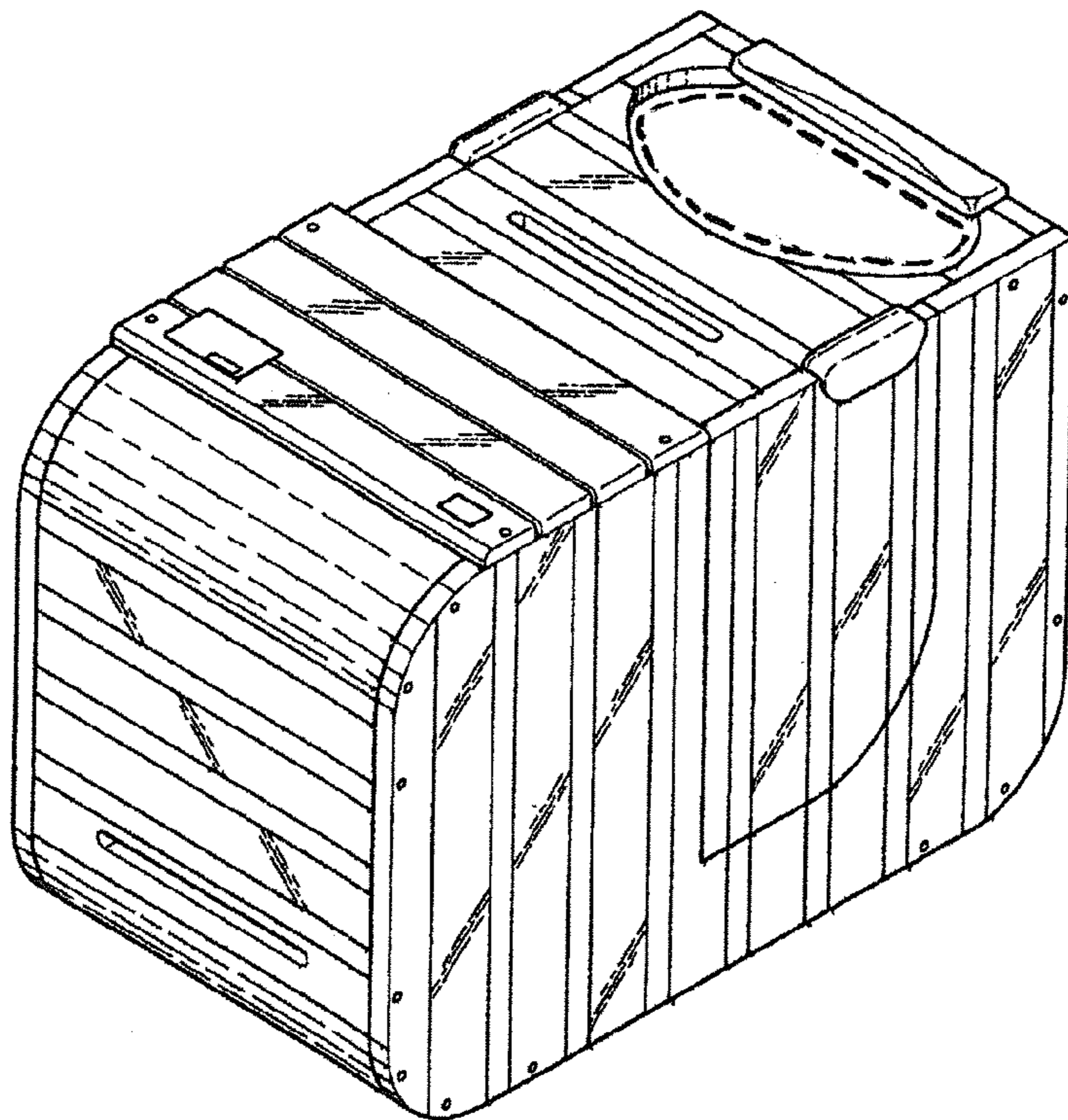


FIG. 2

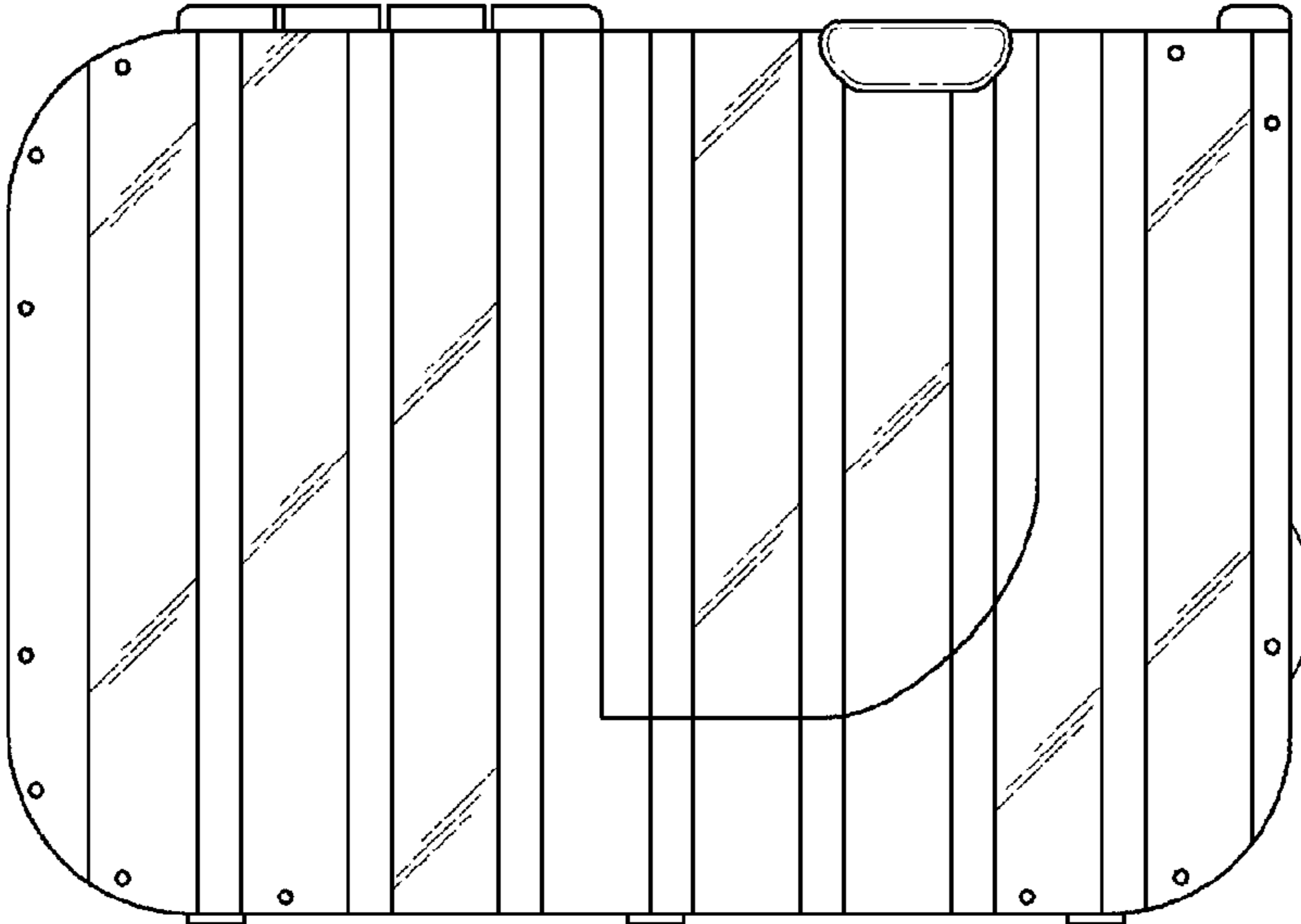


FIG. 3

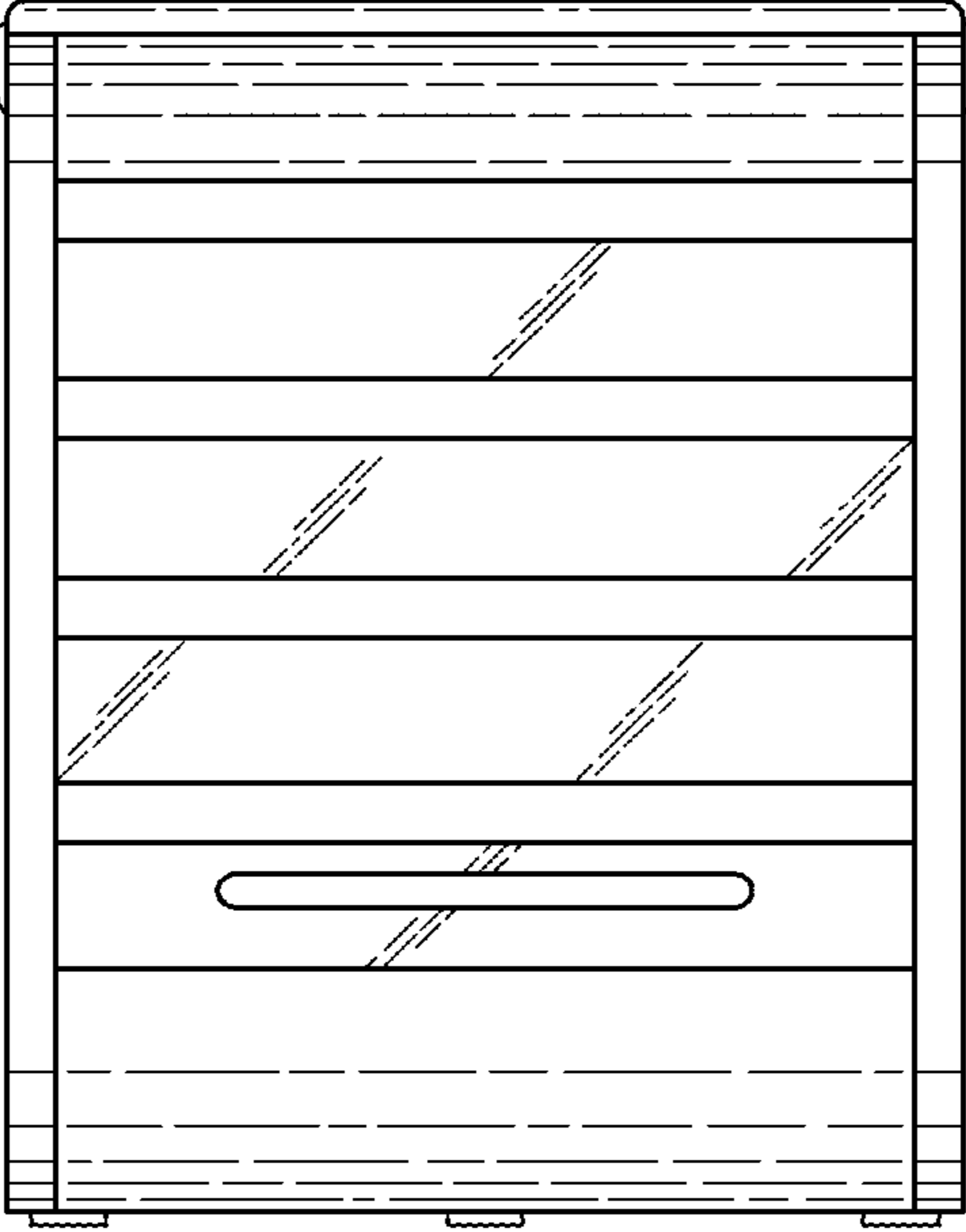


FIG. 4

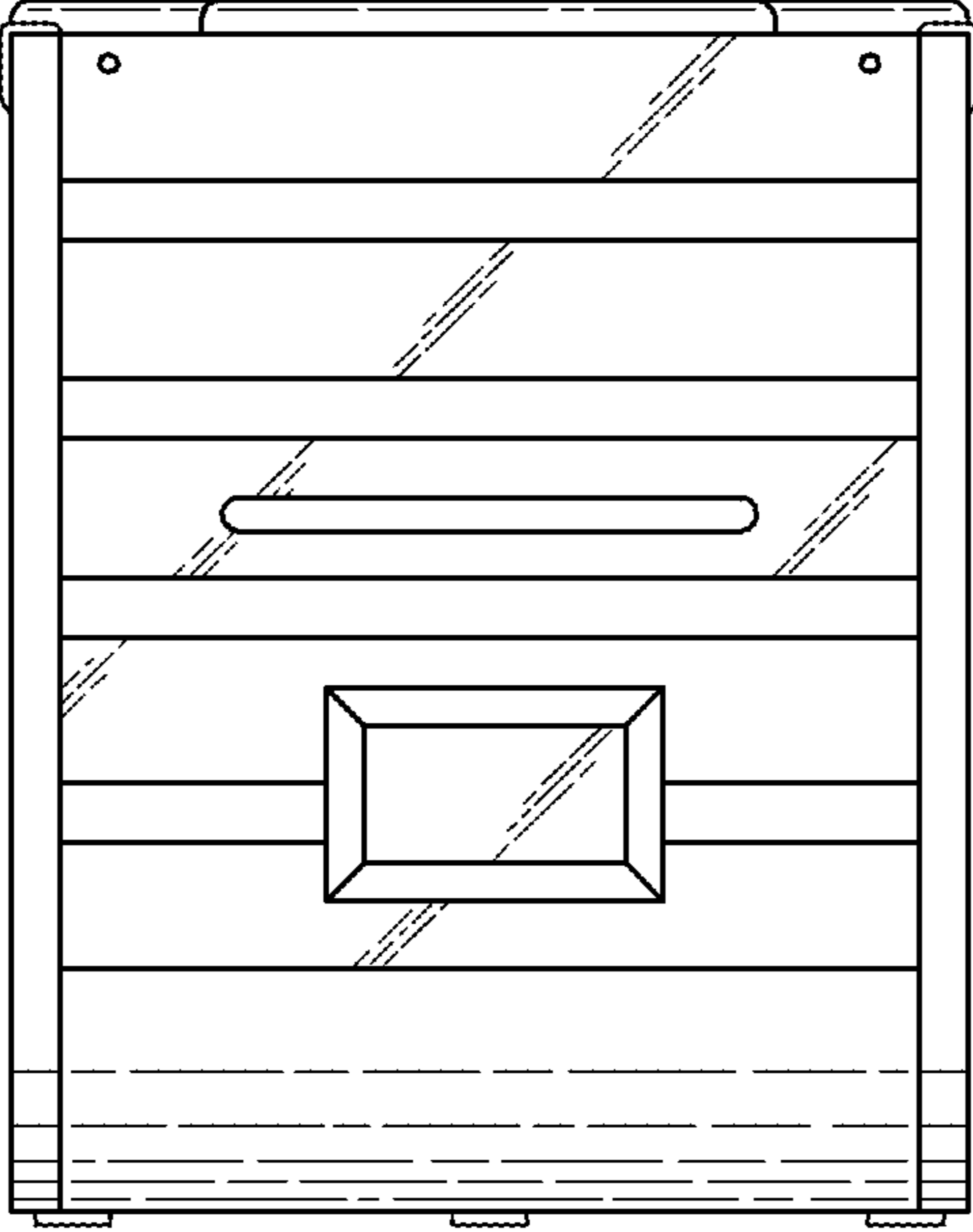


FIG. 5

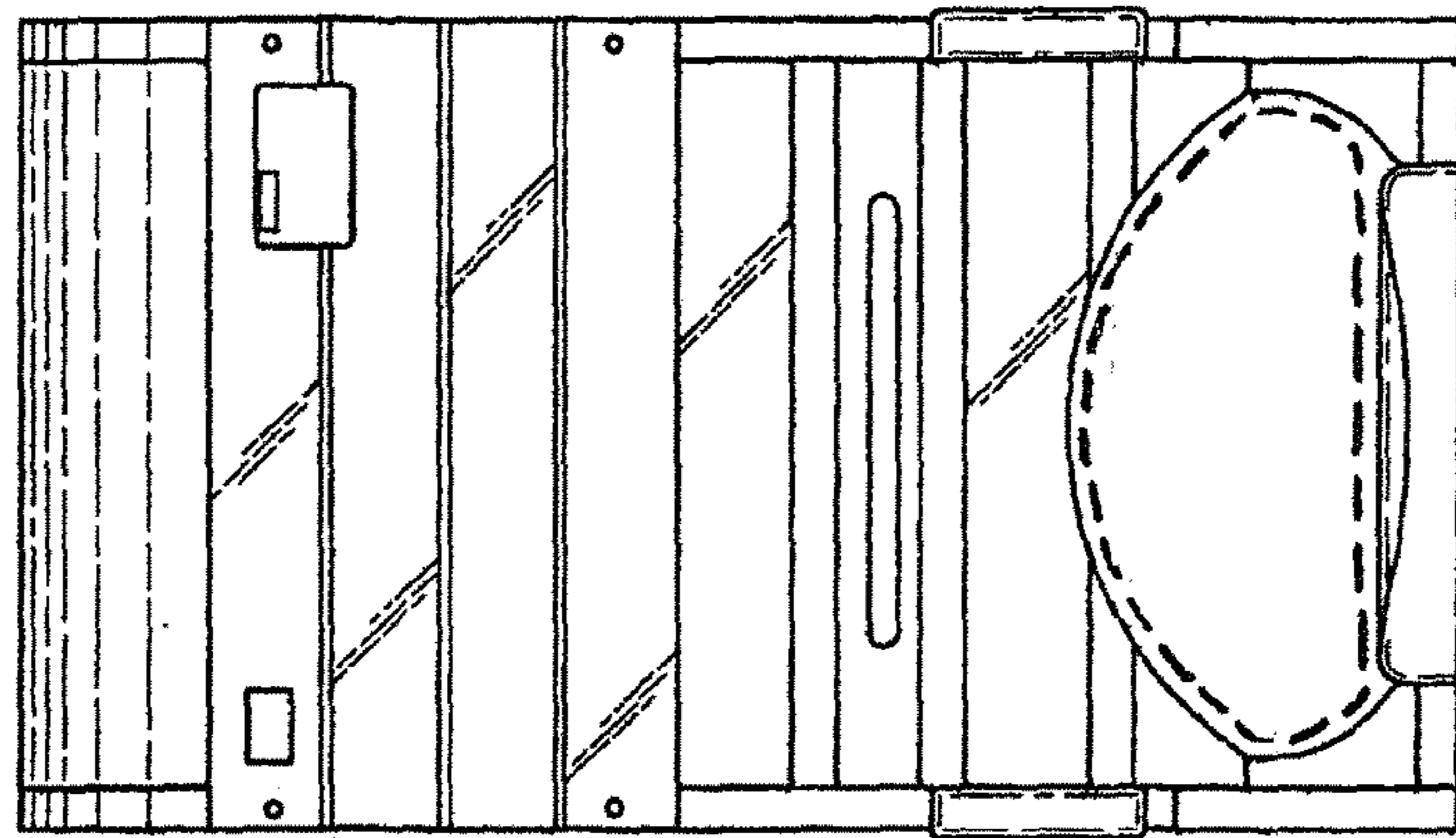


FIG. 6

