



US00D739948S

(12) **United States Design Patent**
Purfey et al.

(10) **Patent No.:** **US D739,948 S**
(45) **Date of Patent:** **** Sep. 29, 2015**

(54) **COMBINED FLOWER-DESIGNED
ULTRASOUND THIMBLETTE AND
FINGERTIP MEDICAL DEVICE**

(71) Applicants: **Ken Purfey**, San Jose, CA (US);
Kenneth L. Jacobsen, Fremont, CA
(US)

(72) Inventors: **Ken Purfey**, San Jose, CA (US);
Kenneth L. Jacobsen, Fremont, CA
(US)

(**) Term: **14 Years**

(21) Appl. No.: **29/456,226**

(22) Filed: **May 29, 2013**

(51) **LOC (10) Cl.** **24-01**

(52) **U.S. Cl.**
USPC **D24/187**

(58) **Field of Classification Search**
USPC D24/158, 186-187, 231, 167; D10/103;
600/407, 437-472; D21/586, 628, 453;
D6/600

See application file for complete search history.

(56) **References Cited**

U.S. PATENT DOCUMENTS

D312,848 S * 12/1990 Kataoka D21/586
D314,999 S * 2/1991 Kataoka D21/628

(Continued)

Primary Examiner — T. Chase Nelson

Assistant Examiner — Mark Cavanna

(74) *Attorney, Agent, or Firm* — Maryam Imam; IPxLaw
Group LLP

(57) **CLAIM**

The ornamental design for a combined flower-designed ultra-
sound thimblette and fingertip medical device, as shown and
described.

DESCRIPTION

FIG. 1 is a top perspective view of the (combined ultrasound
thimblette and fingertip medical device), in accordance with
an embodiment of the invention;

FIG. 2 is a top plan view of the (combined flower-designed
ultrasound thimblette and fingertip medical device), in accor-
dance with an embodiment of the invention;

FIG. 3 is a left elevation view of the (combined flower-
designed ultrasound thimblette and fingertip medical device),
in accordance with an embodiment of the invention;

FIG. 4 is a left elevation view of the (combined flower-
designed ultrasound thimblette and fingertip medical device),
in accordance with an embodiment of the invention;

FIG. 5 is a front elevation view of the (combined flower-
designed ultrasound thimblette and fingertip medical device),
in accordance with an embodiment of the invention;

FIG. 6 is a rear elevation view of the (combined flower-
designed ultrasound thimblette and fingertip medical device),
in accordance with an embodiment of the invention;

FIG. 7 is an exploded perspective view of the (combined
flower-designed ultrasound thimblette and fingertip medical
device), in accordance with an embodiment of the invention;

FIG. 8 is a perspective view of the fingertip of an environ-
mental feature of the (combined flower-designed ultrasound
thimblette and fingertip medical device), in accordance with
an embodiment of the invention;

FIG. 9 is a top perspective view of the (combined ultrasound
thimblette and fingertip medical device), in accordance with
another embodiment of the invention;

FIG. 10 is a top plan view of the (combined flower-designed
ultrasound thimblette and fingertip medical device), in accor-
dance with another embodiment of the invention;

FIG. 11 is a left elevation view of the (combined flower-
designed ultrasound thimblette and fingertip medical device),
in accordance with another embodiment of the invention;

FIG. 12 is a left elevation view of the (combined flower-
designed ultrasound thimblette and fingertip medical device),
in accordance with another embodiment of the invention;

FIG. 13 is a front elevation view of the (combined flower-
designed ultrasound thimblette and fingertip medical device),
in accordance with another embodiment of the invention;

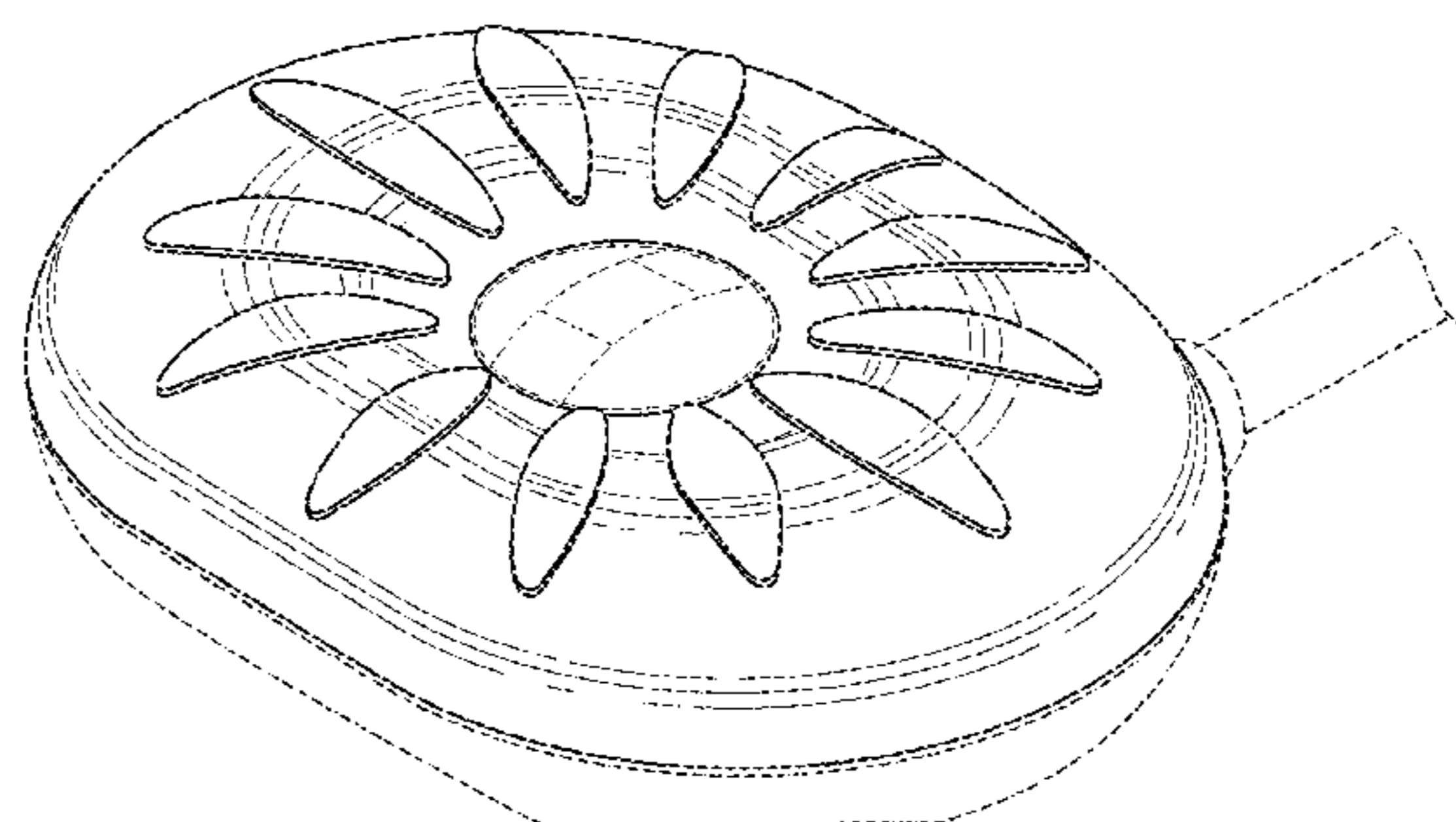
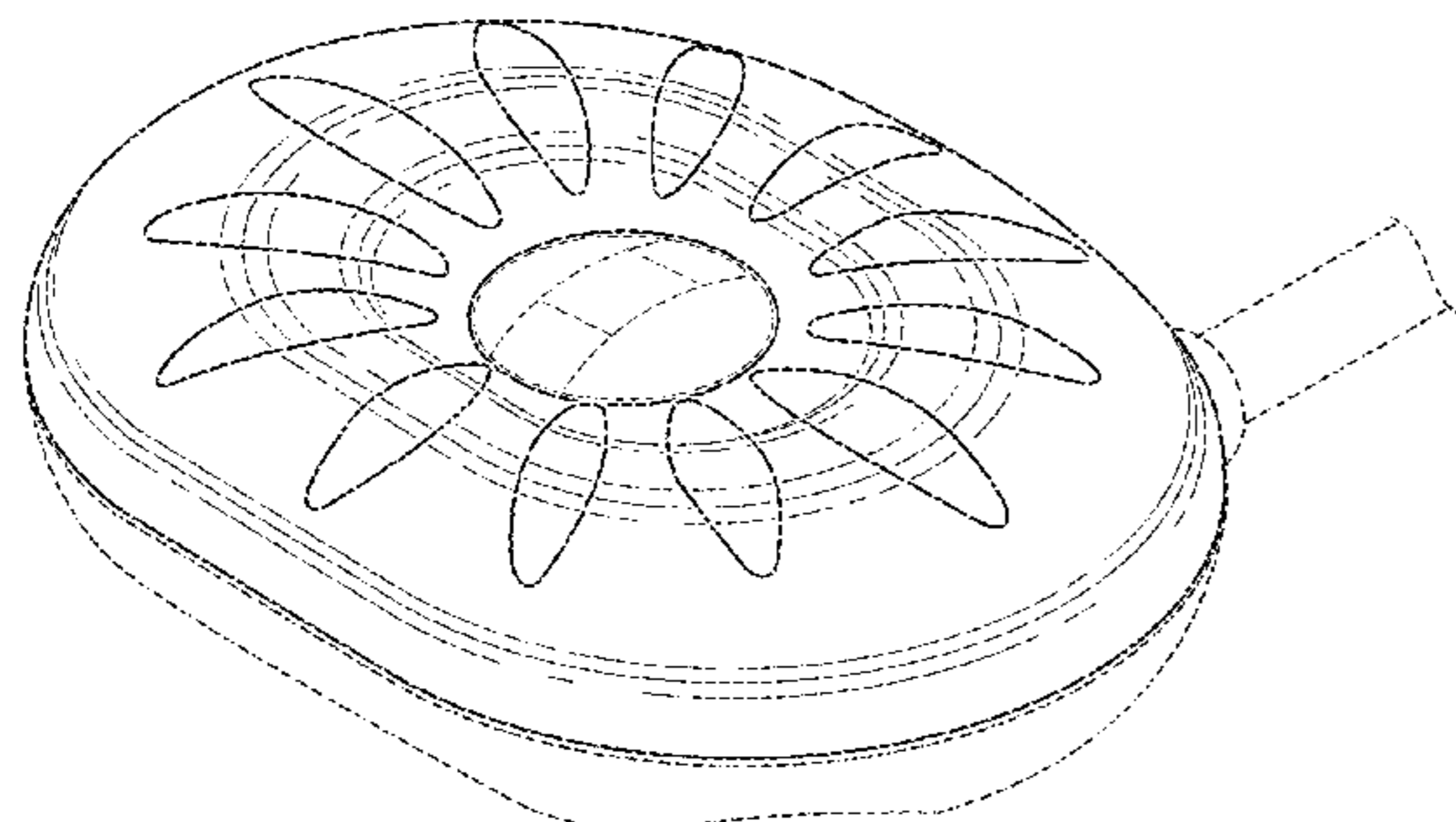
FIG. 14 is a rear elevation view of the (combined flower-
designed ultrasound thimblette and fingertip medical device),
in accordance with another embodiment of the invention;

FIG. 15 is an exploded perspective view of the (combined
flower-designed ultrasound thimblette and fingertip medical
device), in accordance with another embodiment of the inven-
tion; and,

FIG. 16 is a perspective view of the fingertip of an environ-
mental feature of the (combined flower-designed ultrasound
thimblette and fingertip medical device), in accordance with
another embodiment of the invention.

The broken lines are included for the purpose of illustrating
environment and portions of the combined flower-designed
ultrasound thimblette and fingertip medical device that form
no part of the claimed design.

1 Claim, 12 Drawing Sheets



(56)

References Cited

U.S. PATENT DOCUMENTS

5,088,500	A *	2/1992	Wedel et al.	600/452	D701,607	S *	3/2014	Ohmukai	D24/187
5,598,846	A *	2/1997	Peszynski	600/462	D712,681	S *	9/2014	Del Russo, Jr.	D6/600
5,752,517	A *	5/1998	Harman et al.	600/437	D718,868	S *	12/2014	Schroderus	D24/167
D644,274	S *	8/2011	Nelson et al.	D21/453	D719,267	S *	12/2014	Vaccarella	D24/187
D676,562	S *	2/2013	Marzynski	D24/186	2004/0225217	A1 *	11/2004	Voegele et al.	600/439
					2004/0267133	A1 *	12/2004	Podany	600/459
					2005/0085731	A1 *	4/2005	Miller et al.	600/459
					2008/0306387	A1 *	12/2008	Schutz et al.	600/459

* cited by examiner

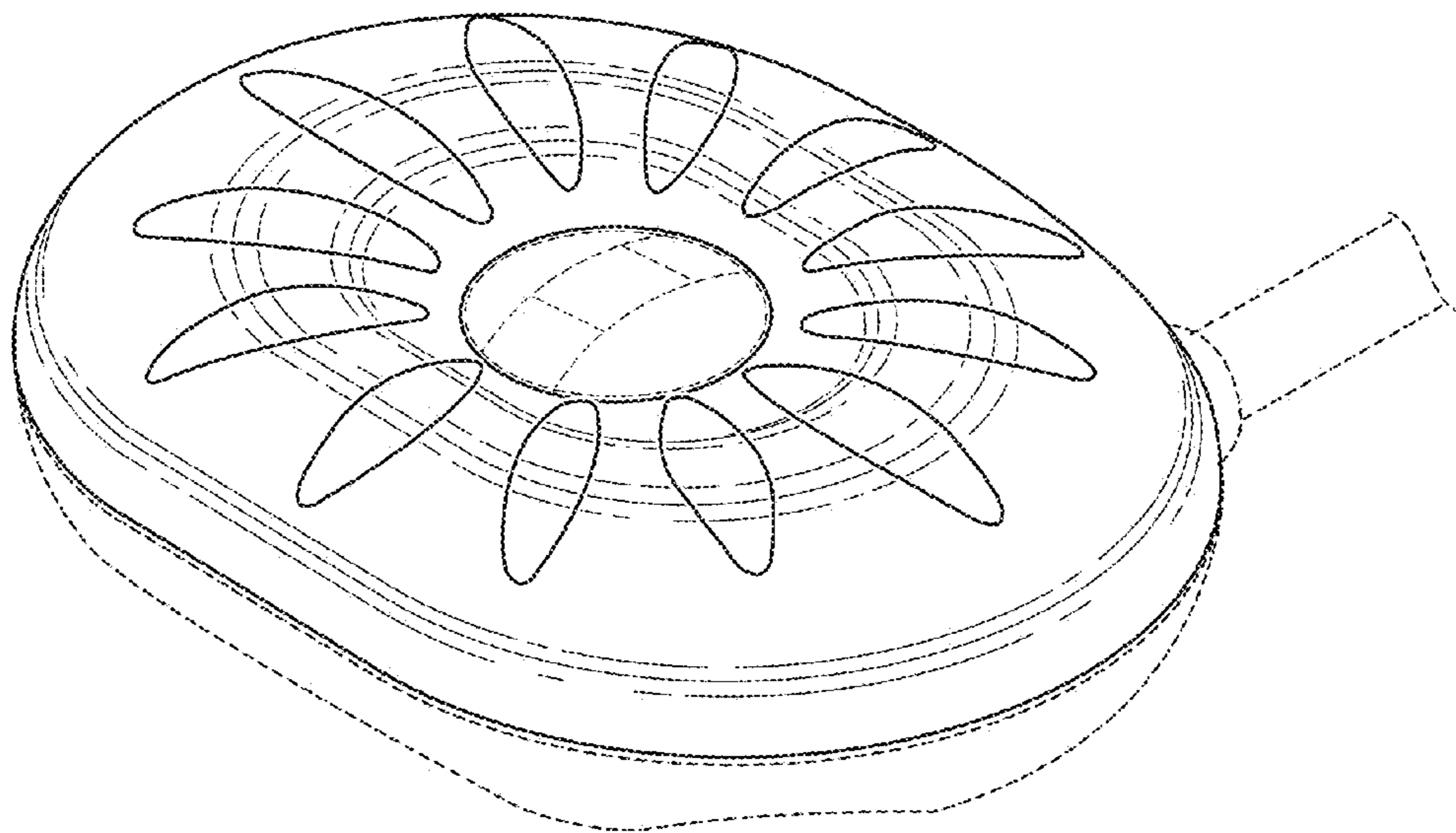


FIG. 1

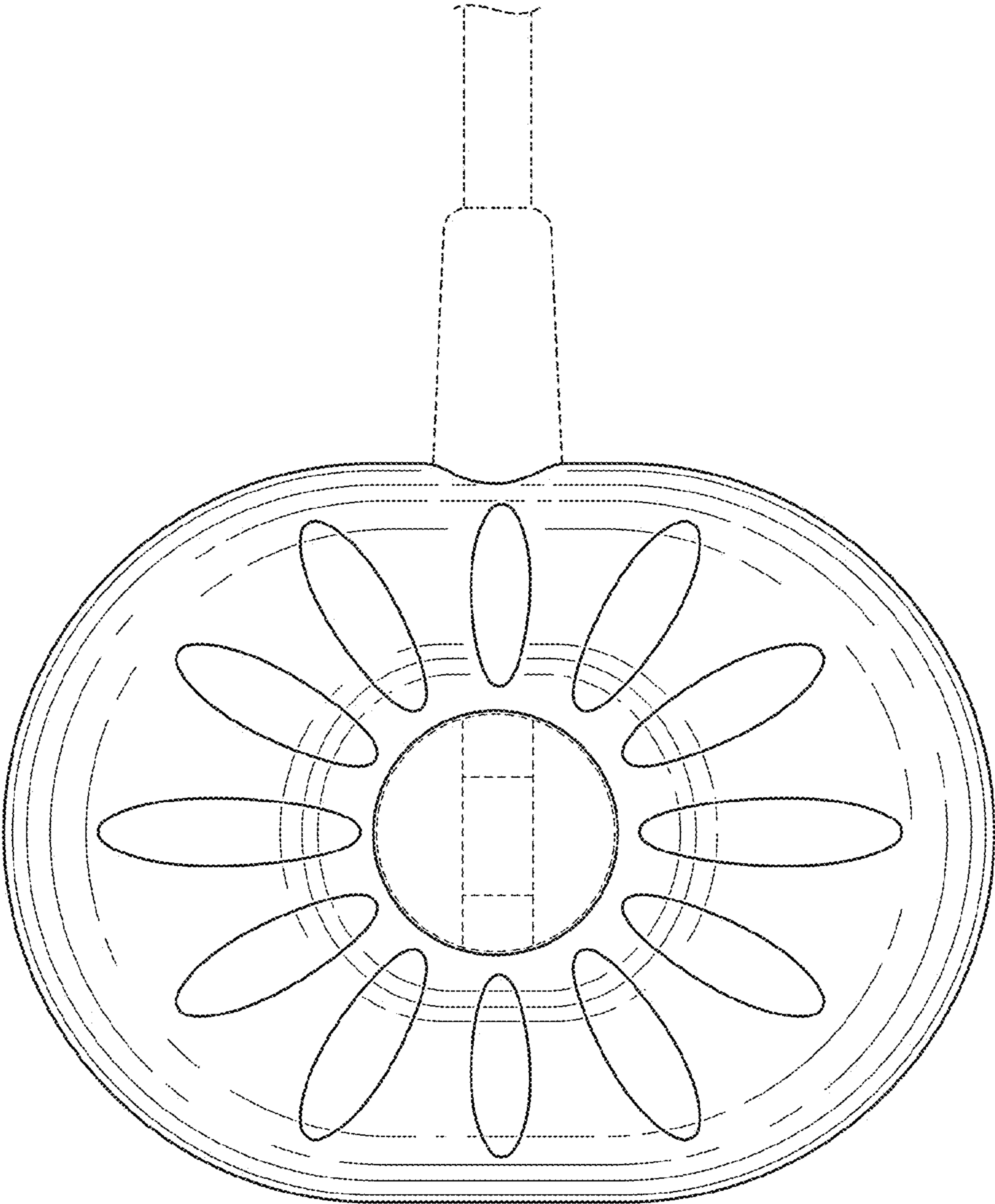


FIG. 2

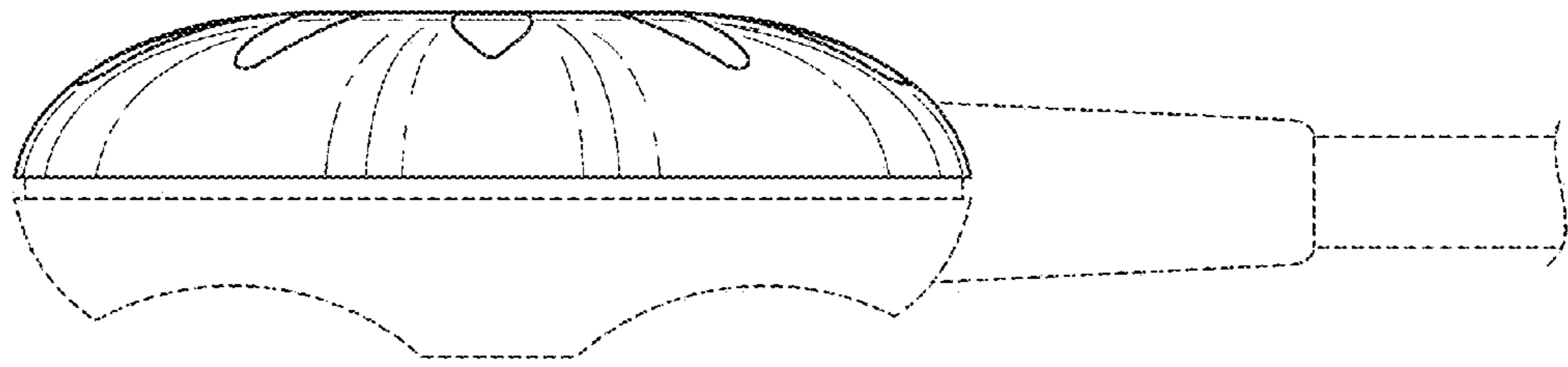


FIG. 3

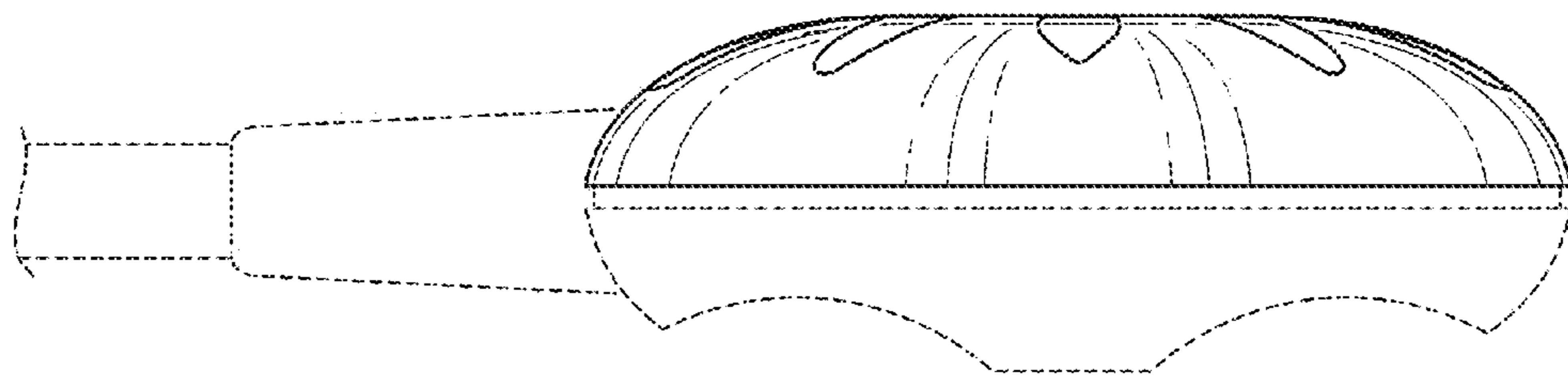


FIG. 4

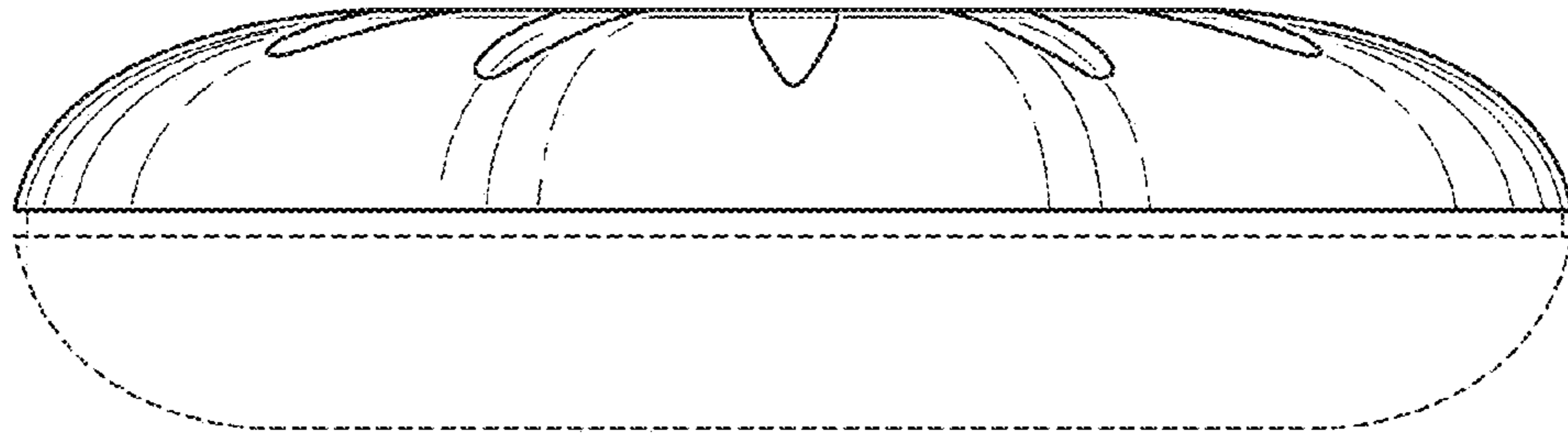


FIG. 5

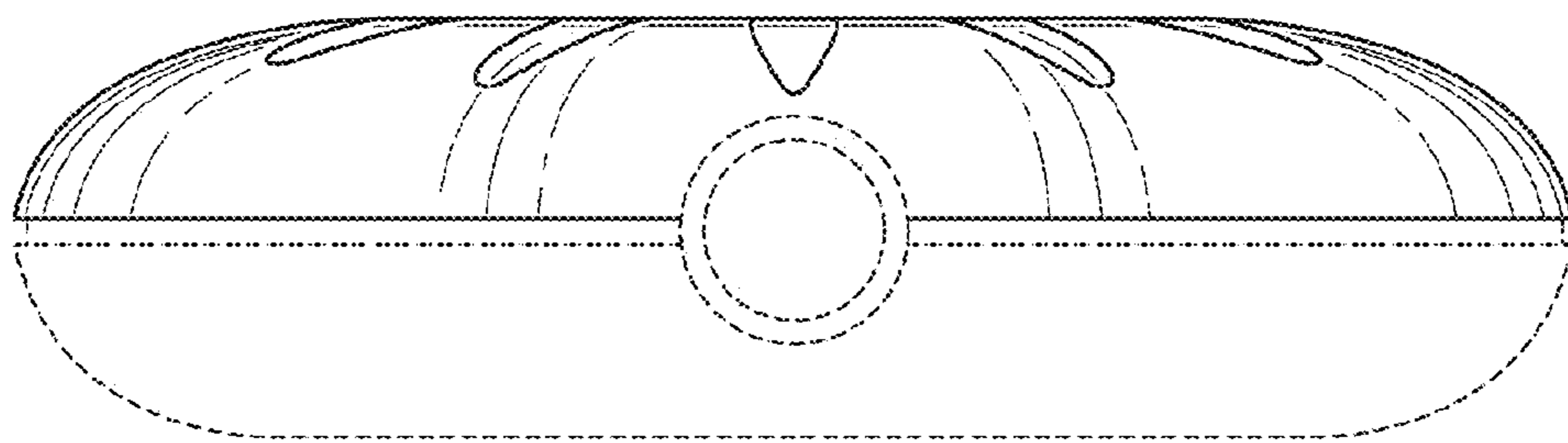


FIG. 6

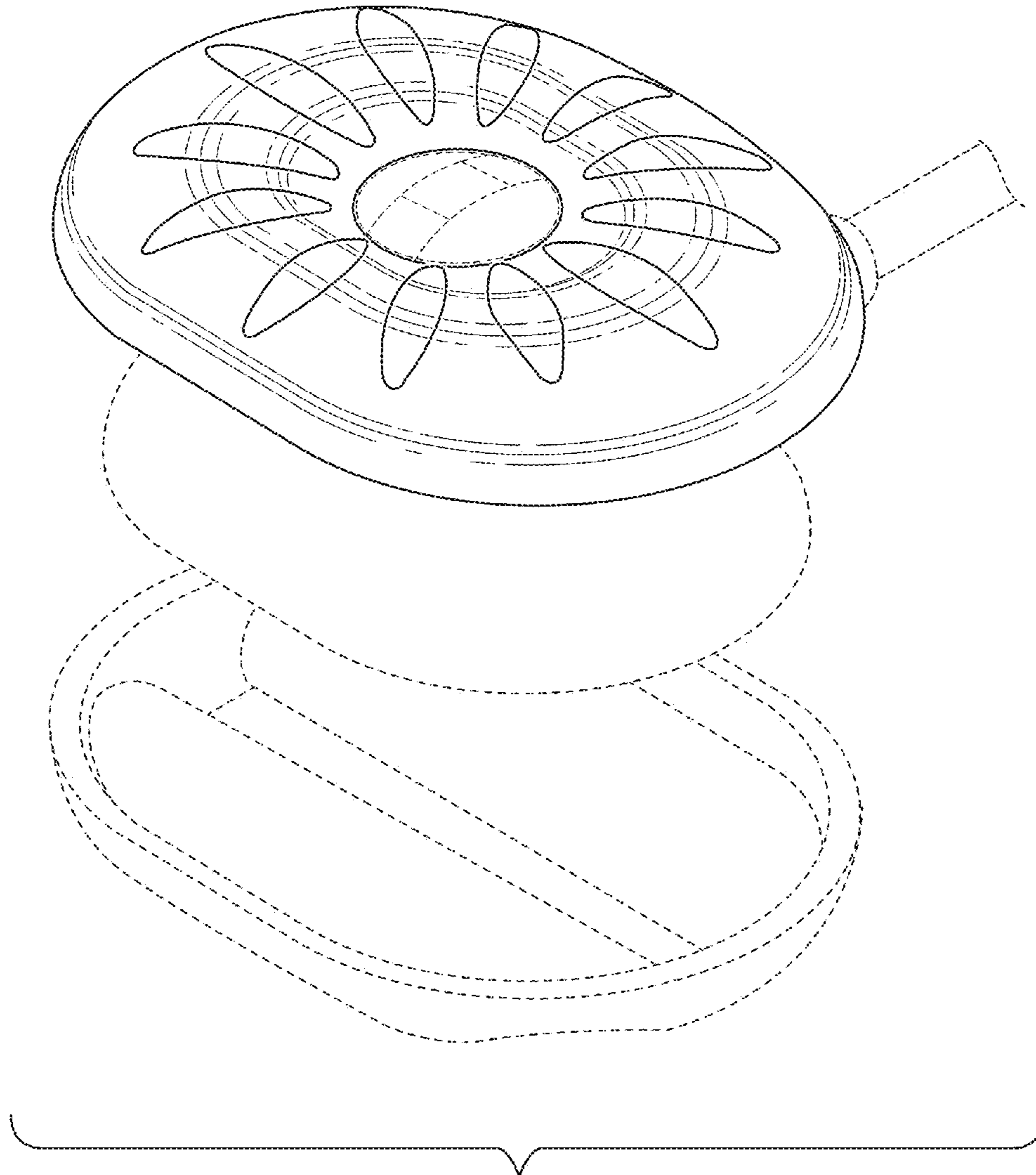


FIG. 7

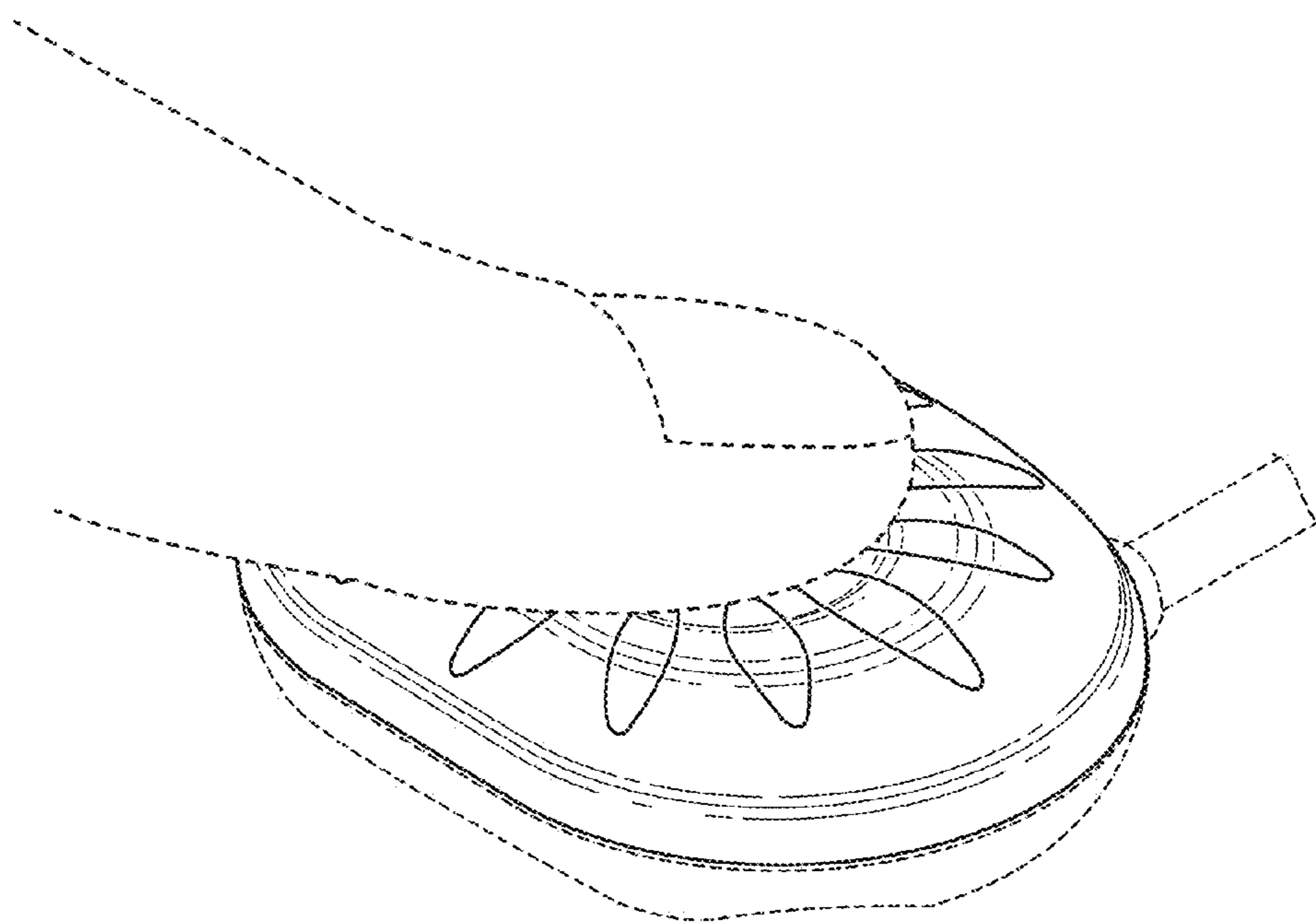


FIG. 8

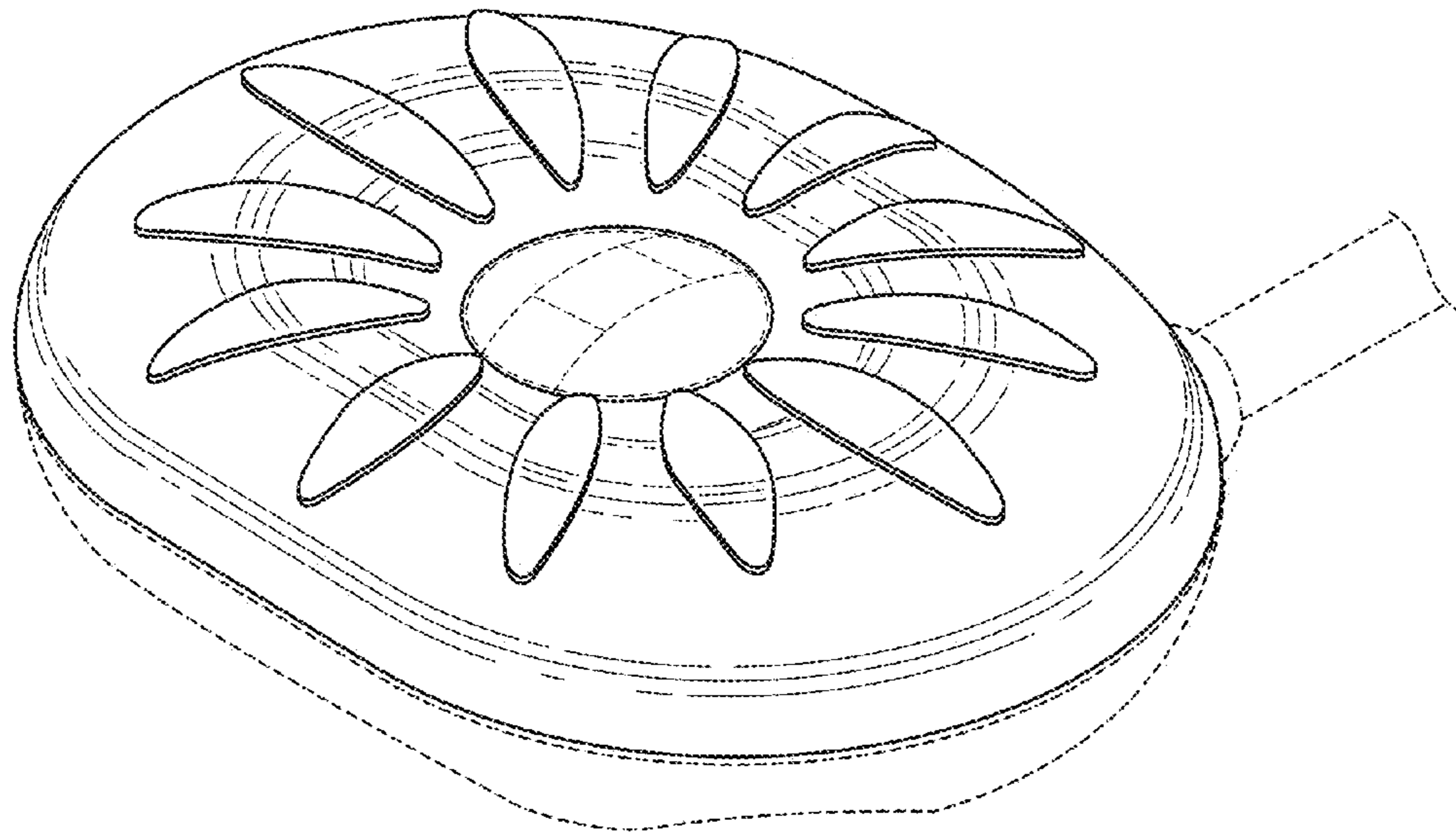


FIG. 9

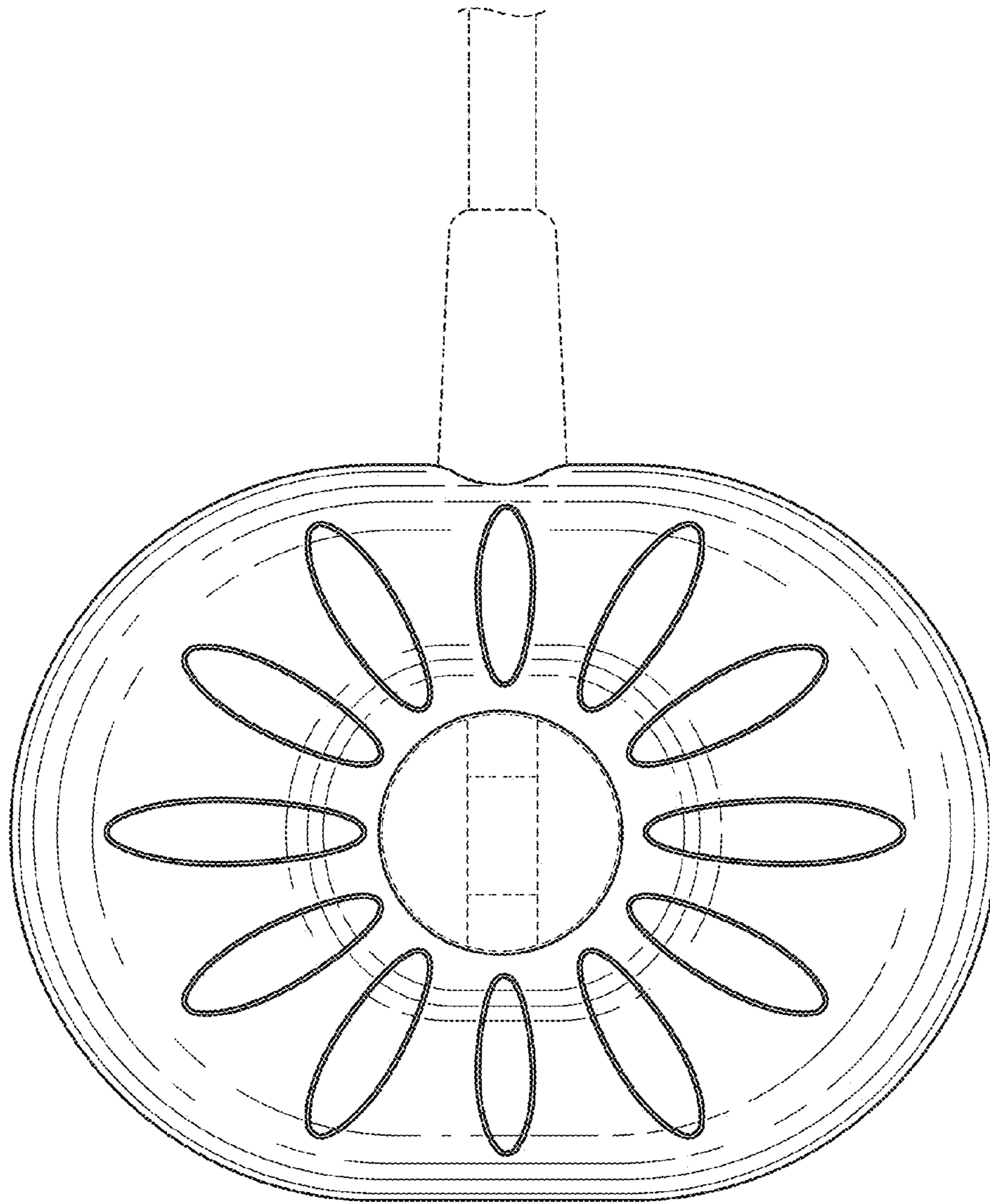


FIG. 10

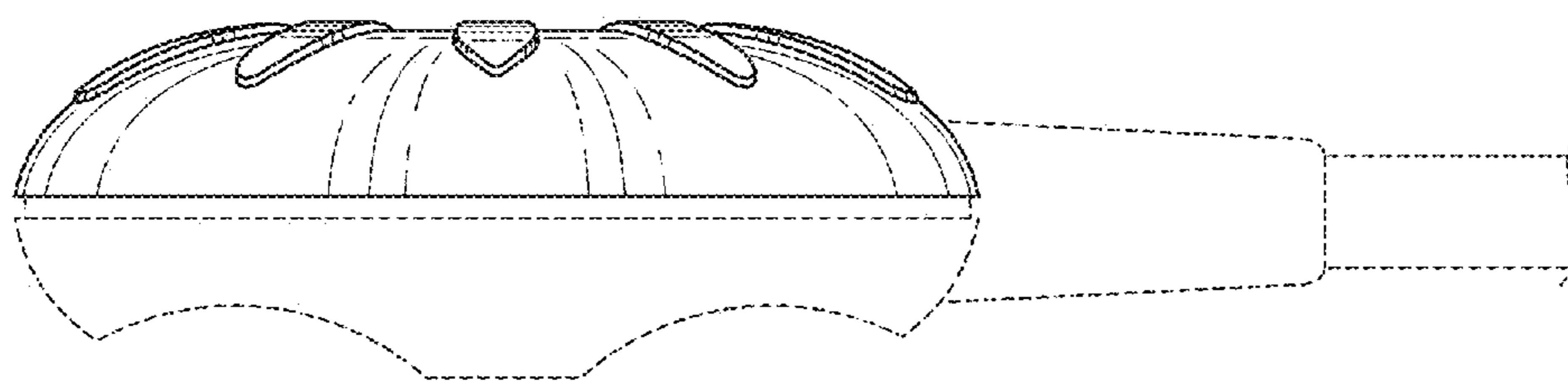


FIG. 11

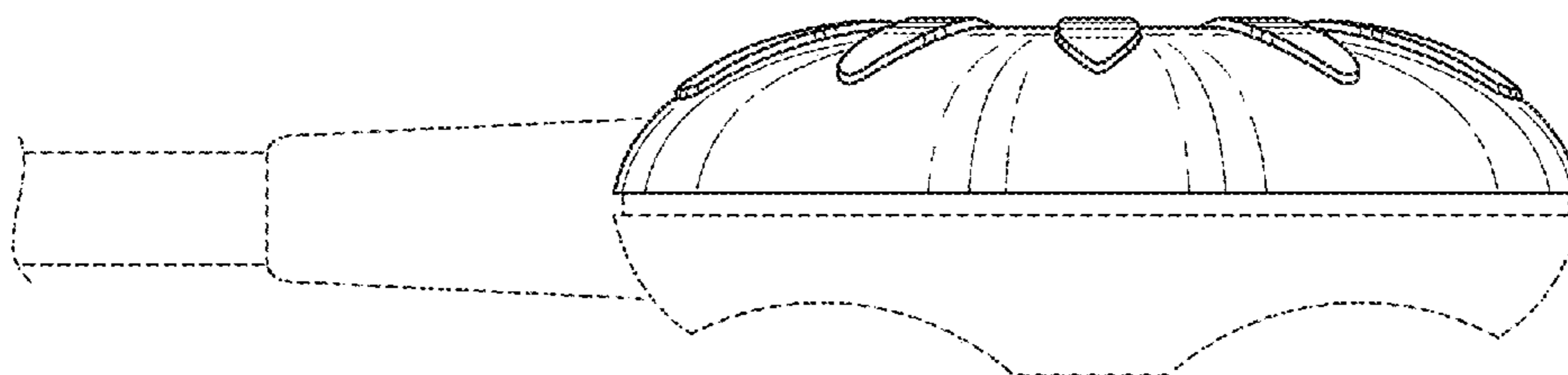


FIG. 12

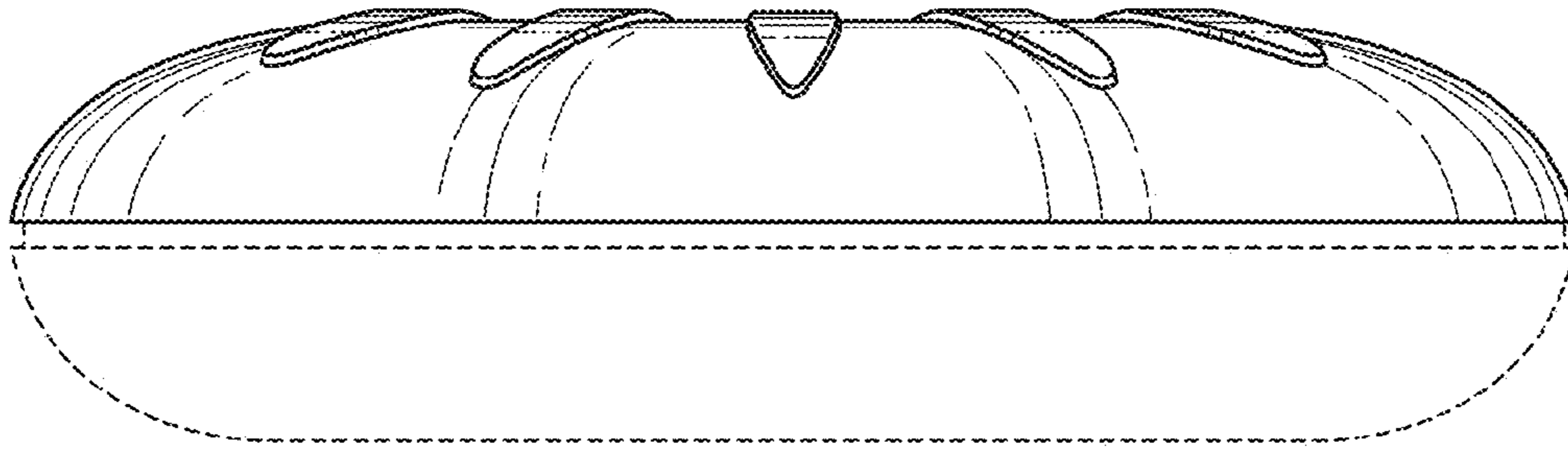


FIG. 13

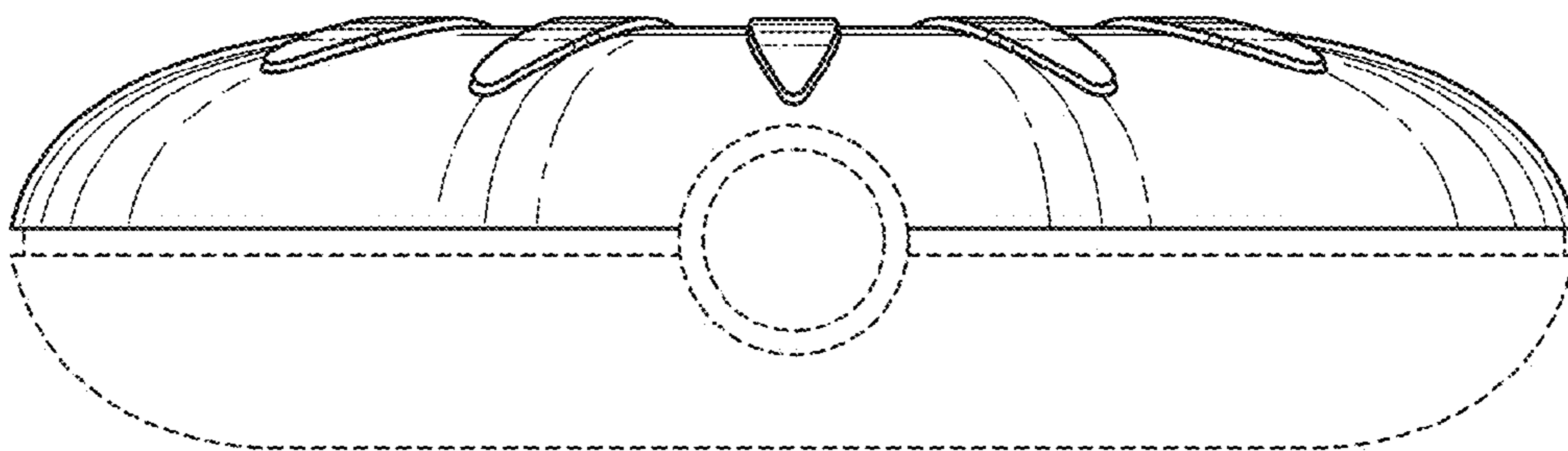


FIG. 14

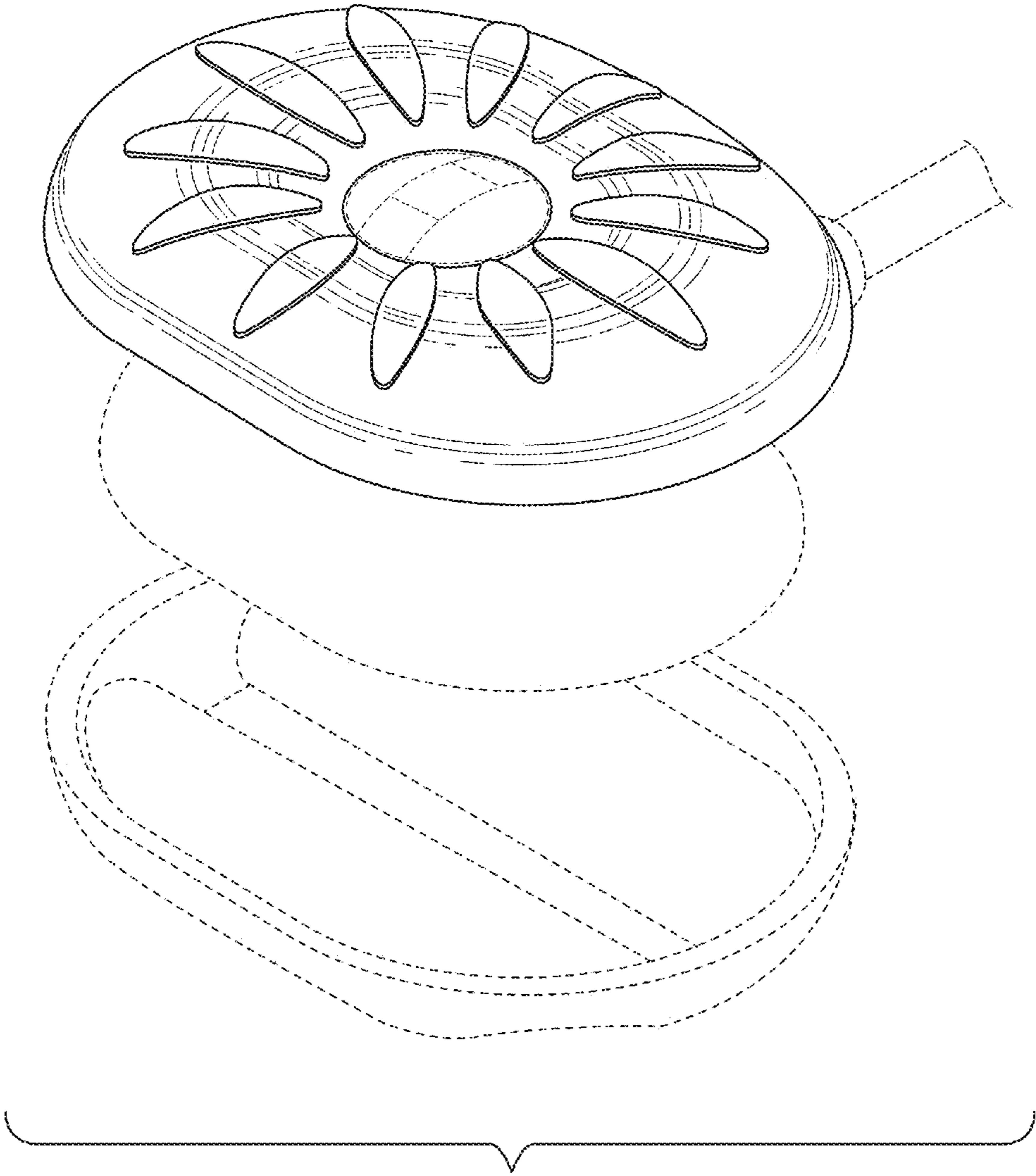


FIG. 15

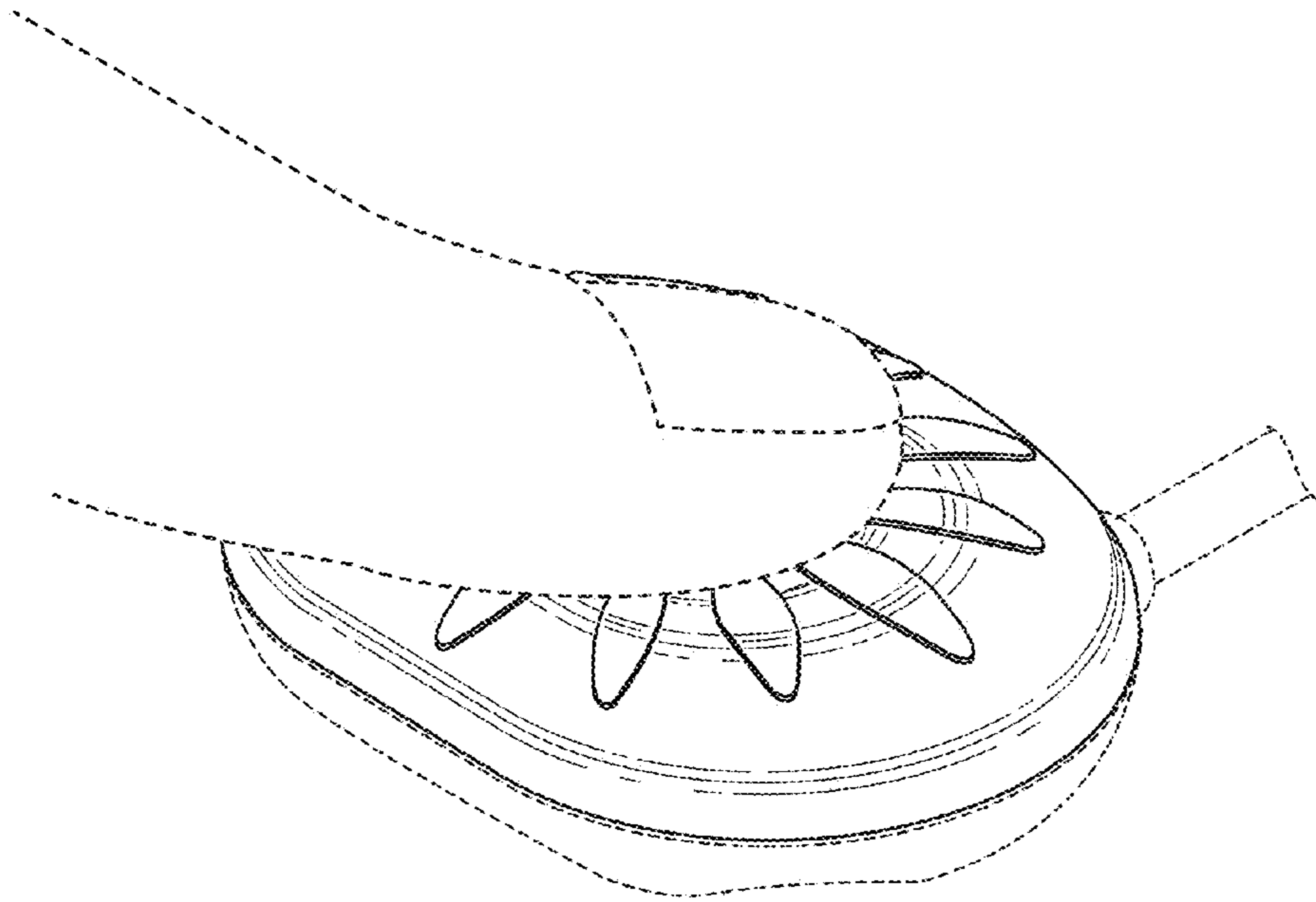


FIG. 16