



US00D739947S

(12) **United States Design Patent**
Maier

(10) **Patent No.:** **US D739,947 S**

(45) **Date of Patent:** **** Sep. 29, 2015**

(54) **ANESTHETIC APPARATUS**

(75) Inventor: **Sebastian Maier**, Langenzenn/Lohe
(DE)

(73) Assignee: **DRAGER MEDICAL GMBH**, Lubeck
(DE)

(**) Term: **14 Years**

(21) Appl. No.: **29/426,039**

(22) Filed: **Jun. 29, 2012**

(30) **Foreign Application Priority Data**

Jan. 12, 2012 (EP) 001974122-0001

(51) **LOC (10) Cl.** **24-01**

(52) **U.S. Cl.**
USPC **D24/186**

(58) **Field of Classification Search**
USPC D24/185, 169, 107, 110-111; 211/70.6;
128/910, 203.12-203.19, 203.28;
700/237; D34/14, 19; 210/230, 232;
312/209; D13/163

See application file for complete search history.

(56) **References Cited**

U.S. PATENT DOCUMENTS

D248,405	S *	7/1978	Leong	D24/111
4,991,576	A *	2/1991	Henkin et al.	128/203.28
5,419,316	A *	5/1995	Bernstein	128/203.12
D375,158	S *	10/1996	Milani et al.	D24/110
D406,894	S *	3/1999	Menhennett et al.	D24/169
D410,544	S *	6/1999	Metzler et al.	D24/172
6,022,088	A *	2/2000	Metzler	312/209
6,036,858	A *	3/2000	Carlsson et al.	210/232
D438,952	S *	3/2001	Cimino et al.	D24/185
6,339,732	B1 *	1/2002	Phoon et al.	700/237
D459,477	S *	6/2002	Stocks et al.	D24/186

D471,271	S *	3/2003	Stromberg et al.	D24/107
D486,915	S *	2/2004	Warschewske et al.	D24/185
6,705,474	B1 *	3/2004	Buczek	211/70.6
6,776,158	B1 *	8/2004	Anderson et al.	128/203.12
D540,948	S *	4/2007	Meziere et al.	D24/169
D550,362	S *	9/2007	Olivera et al.	D24/185
D568,258	S *	5/2008	Adam	D13/163
7,438,072	B2 *	10/2008	Izuchukwu	128/203.12
D634,016	S *	3/2011	Schon	D24/186
D648,032	S *	11/2011	Schon	D24/186
D711,001	S *	8/2014	Boudier	D24/186

OTHER PUBLICATIONS

“Welcome to the Next Level”, Drager Infinity Empowered, brochure, 8 pages, 2011.

* cited by examiner

Primary Examiner — T. Chase Nelson

Assistant Examiner — Mark Cavana

(74) *Attorney, Agent, or Firm* — Taft Stettinius & Hollister, LLP; Ryan O. White

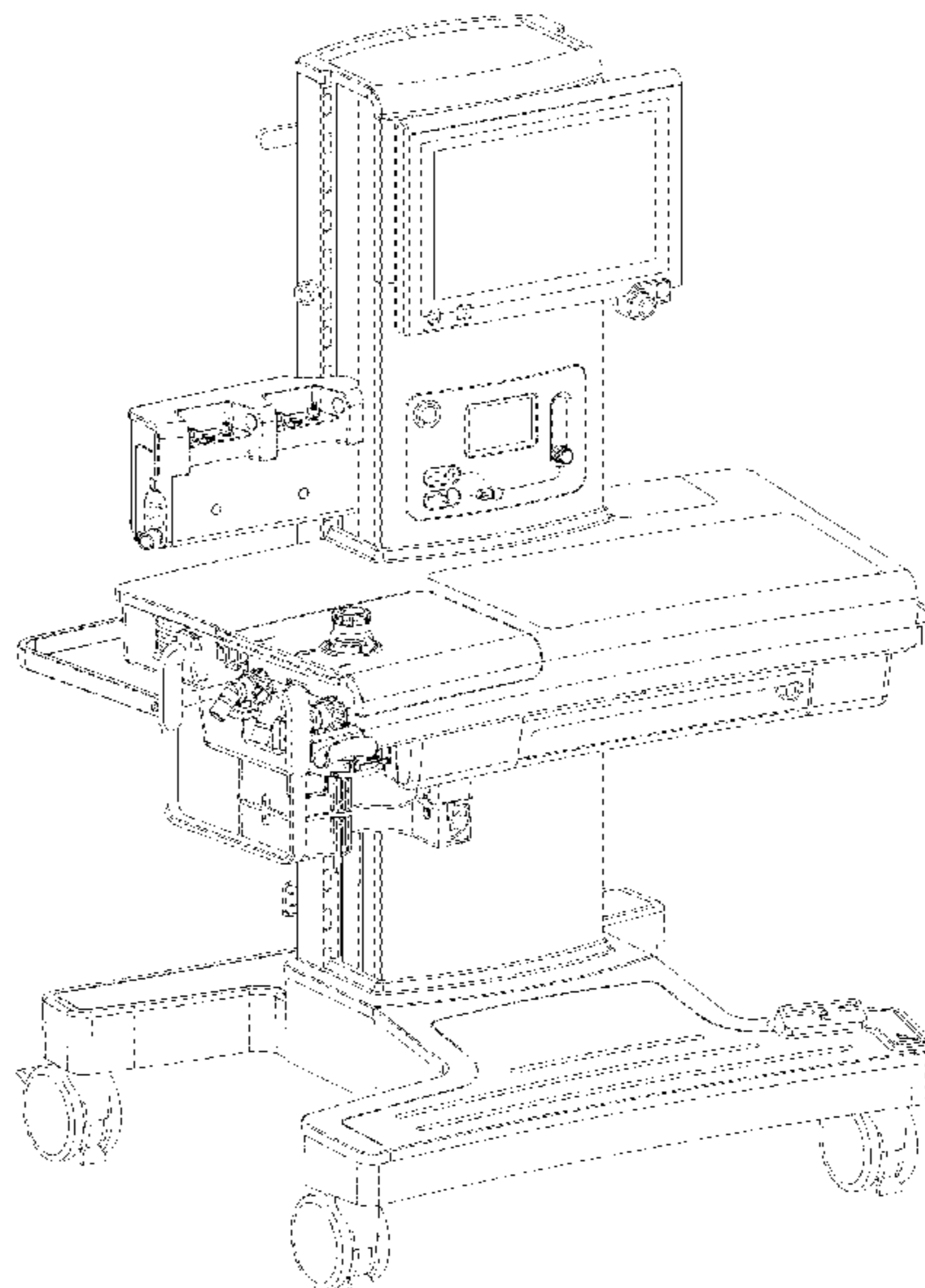
(57) **CLAIM**

The ornamental design for the anesthetic apparatus, as shown and described.

DESCRIPTION

FIG. 1 is an isometric view of an anesthetic apparatus showing my new design;
FIG. 2 is a front view of the anesthetic apparatus of FIG. 1;
FIG. 3 is a rear view of the anesthetic apparatus of FIG. 1;
FIG. 4 is a top view of the anesthetic apparatus of FIG. 1;
FIG. 5 is a bottom view of the anesthetic apparatus of FIG. 1;
FIG. 6 is a right side view of the anesthetic apparatus of FIG. 1; and,
FIG. 7 is a left side view of the anesthetic apparatus of FIG. 1.
The dashed lines shown in the figures represent environmental subject matter and form no part of the claimed design.

1 Claim, 7 Drawing Sheets



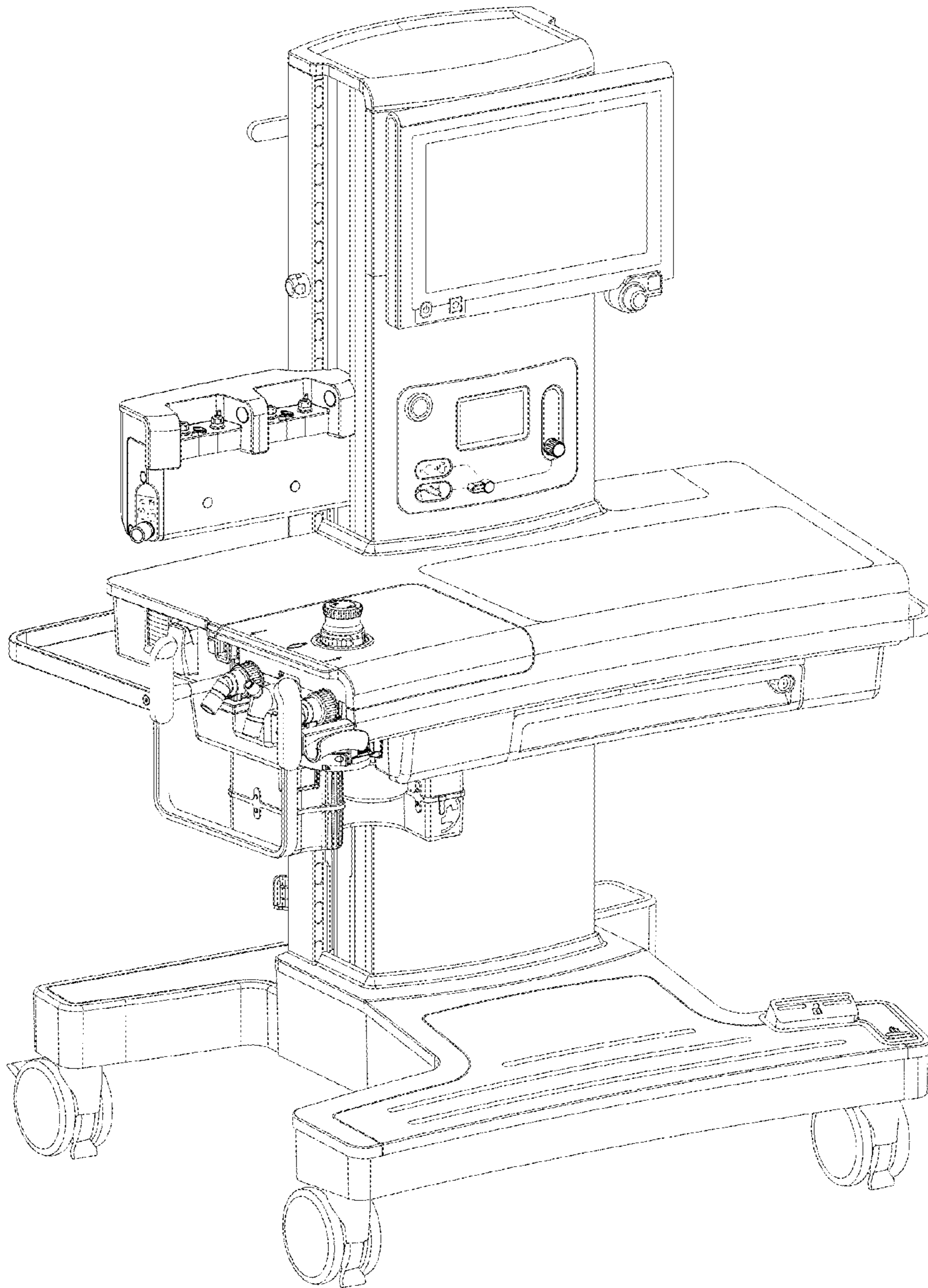


FIG 1

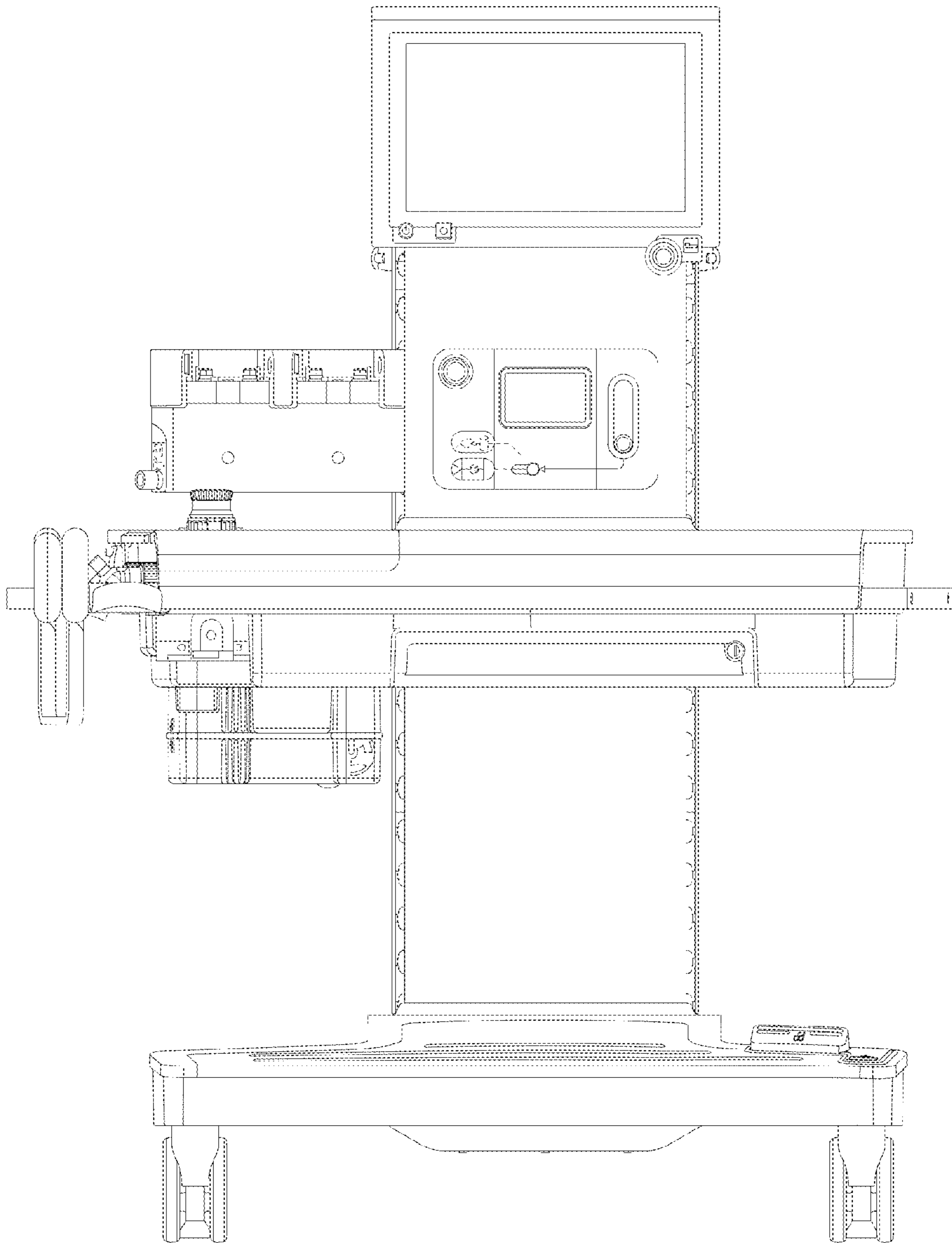


FIG 2

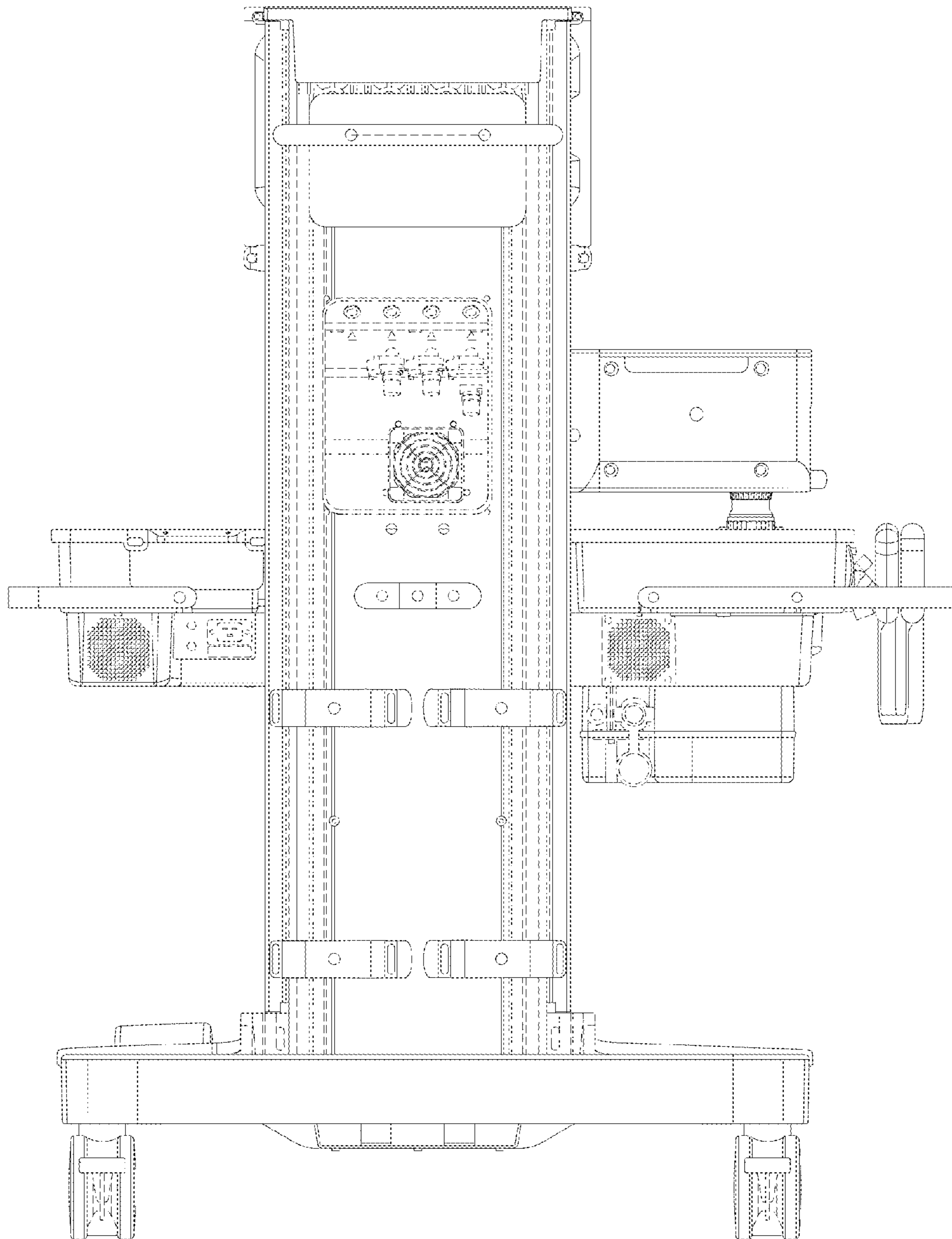


FIG 3

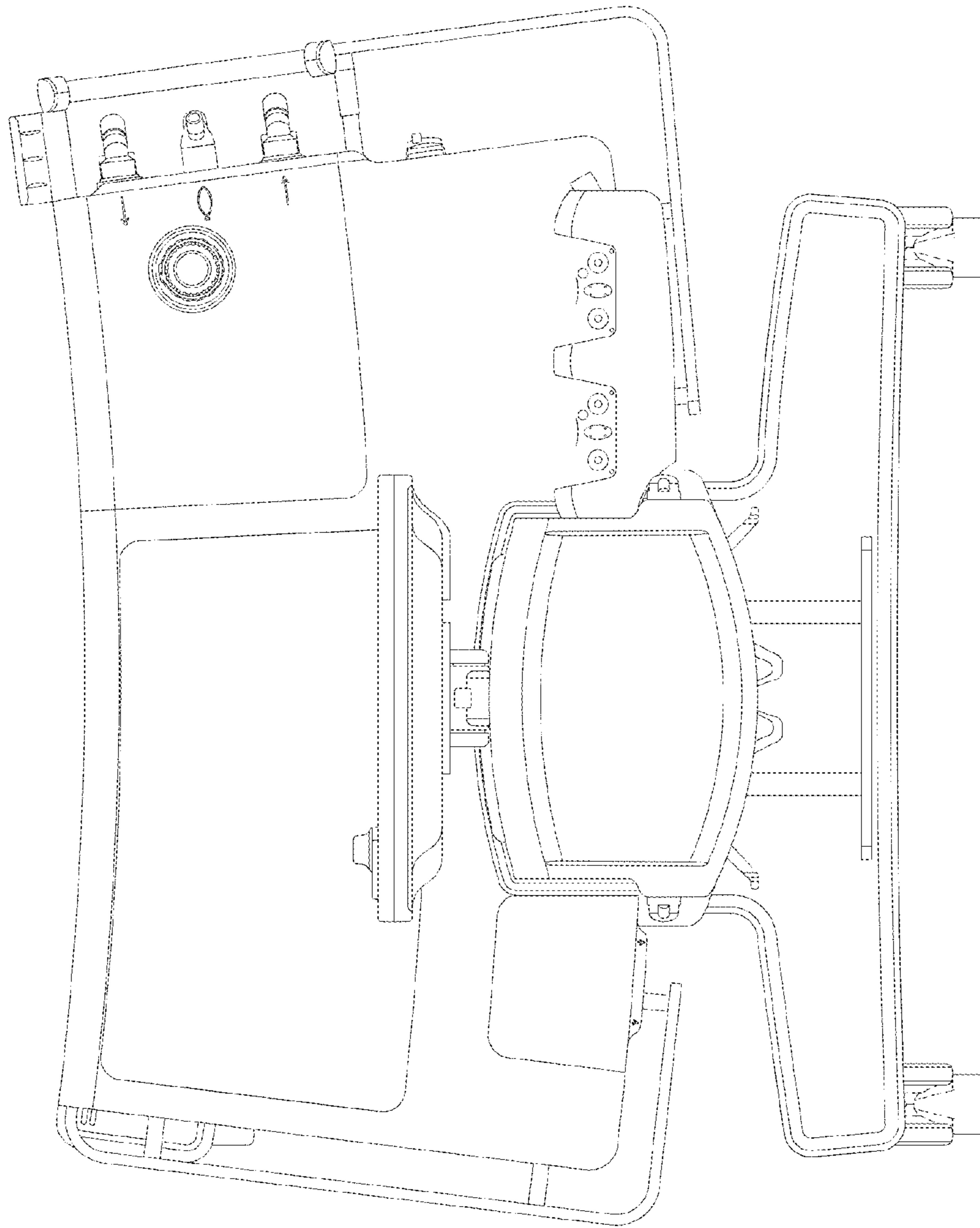


FIG 4

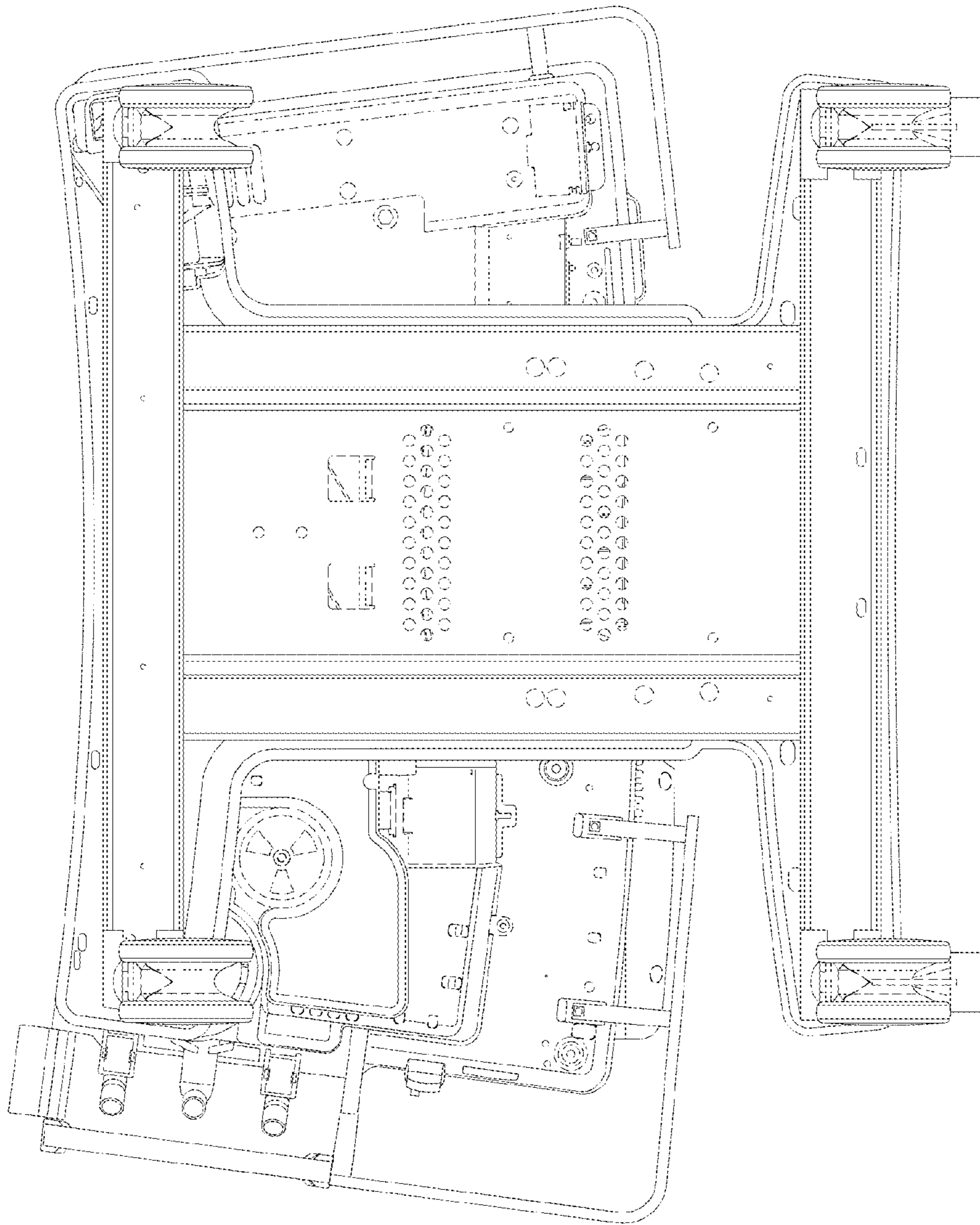


FIG 5

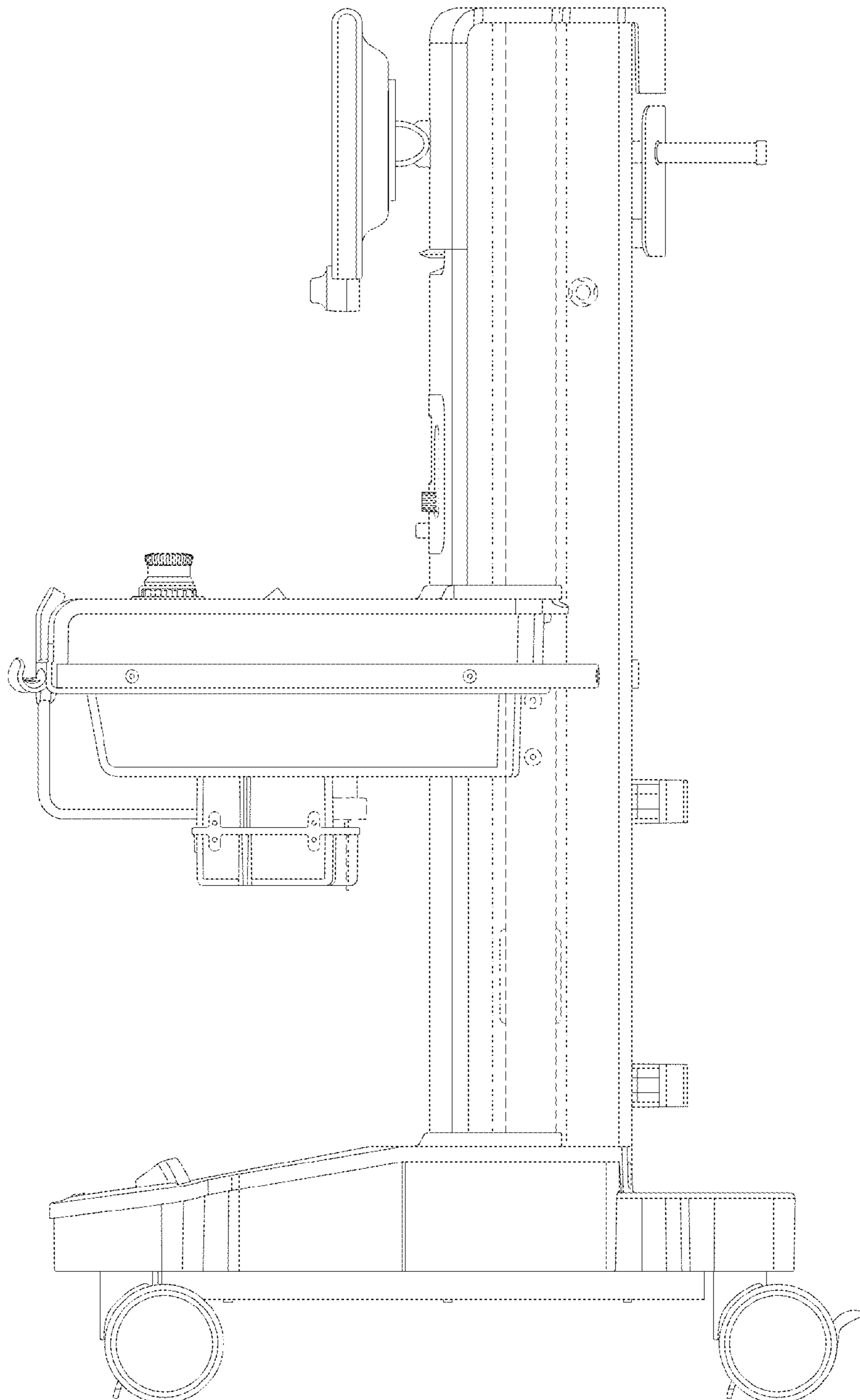


FIG 6

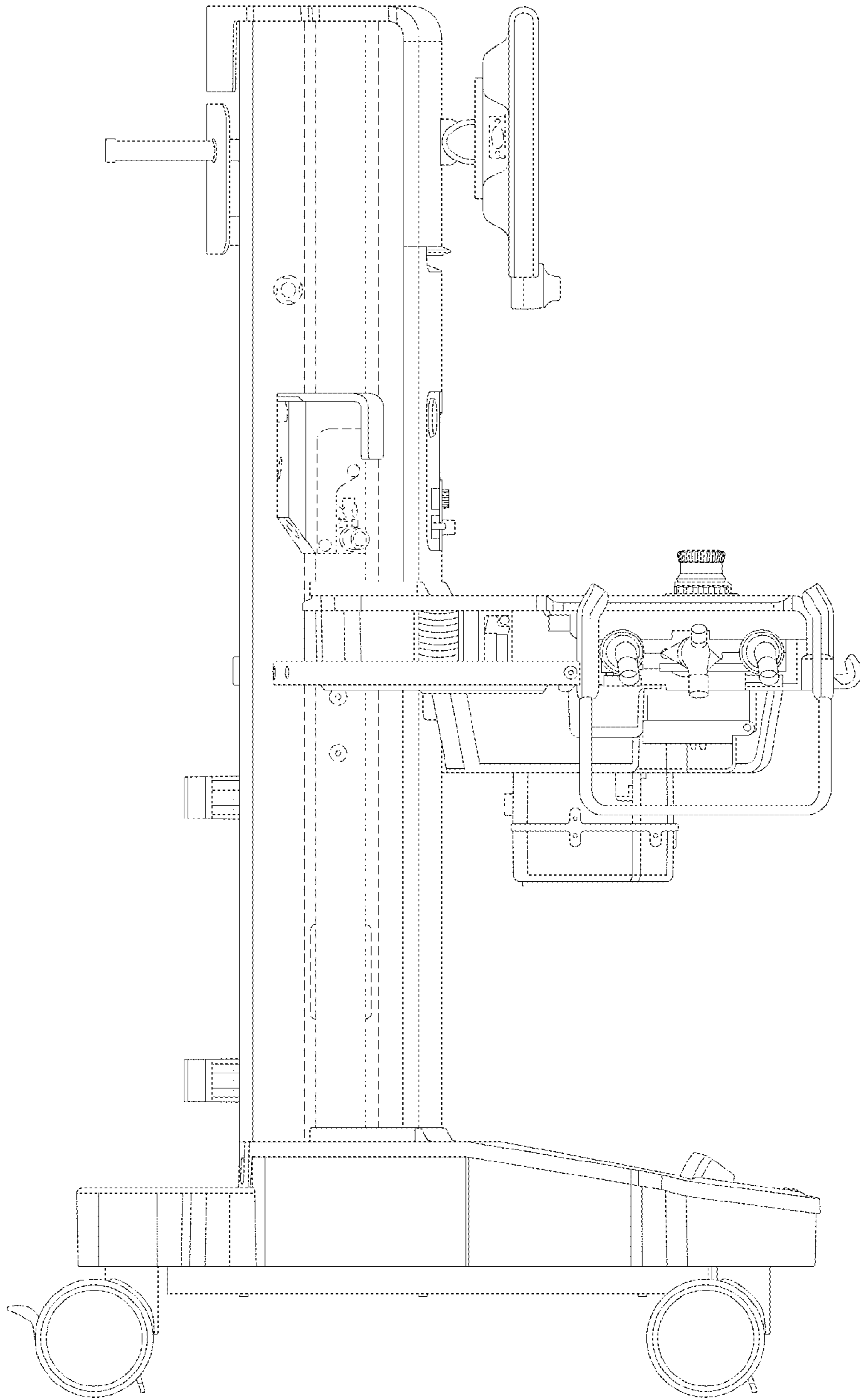


FIG 7