

US00D739946S

(12) **United States Design Patent**  
**Dickman**

(10) **Patent No.:** **US D739,946 S**

(45) **Date of Patent:** **\*\* Sep. 29, 2015**

- (54) **ELECTRONIC IN-EAR DEVICE**
- (71) Applicant: **Martin Dickman**, Rochester (GB)
- (72) Inventor: **Martin Dickman**, Rochester (GB)
- (\*\*) Term: **14 Years**
- (21) Appl. No.: **29/456,795**
- (22) Filed: **Jun. 4, 2013**
- (51) **LOC (10) Cl.** ..... **24-99**
- (52) **U.S. Cl.**  
USPC ..... **D24/174**
- (58) **Field of Classification Search**  
USPC ..... D24/173–175, 151; D14/205, 206,  
D14/223–226, 249; 381/23.1, 312,  
381/322–324, 328, 330, 380, 381; 181/135  
CPC ..... H04R 2225/025; H04R 25/60; H04R  
25/602; H04R 25/604; H04R 25/608; H04R  
25/65; H04R 25/652  
See application file for complete search history.

|               |         |                 |       |         |
|---------------|---------|-----------------|-------|---------|
| 5,748,743 A * | 5/1998  | Weeks           | ..... | 381/328 |
| 5,784,471 A * | 7/1998  | Bebenroth       | ..... | 381/322 |
| D455,835 S *  | 4/2002  | Anderson et al. | ..... | D24/174 |
| D612,058 S *  | 3/2010  | Wai             | ..... | D24/174 |
| D622,855 S *  | 8/2010  | Cano, Jr.       | ..... | D24/174 |
| D635,676 S *  | 4/2011  | Voix et al.     | ..... | D24/174 |
| D719,549 S *  | 12/2014 | Henry et al.    | ..... | D14/223 |

\* cited by examiner

*Primary Examiner* — Anhdao Doan  
(74) *Attorney, Agent, or Firm* — J. Wiley Horton

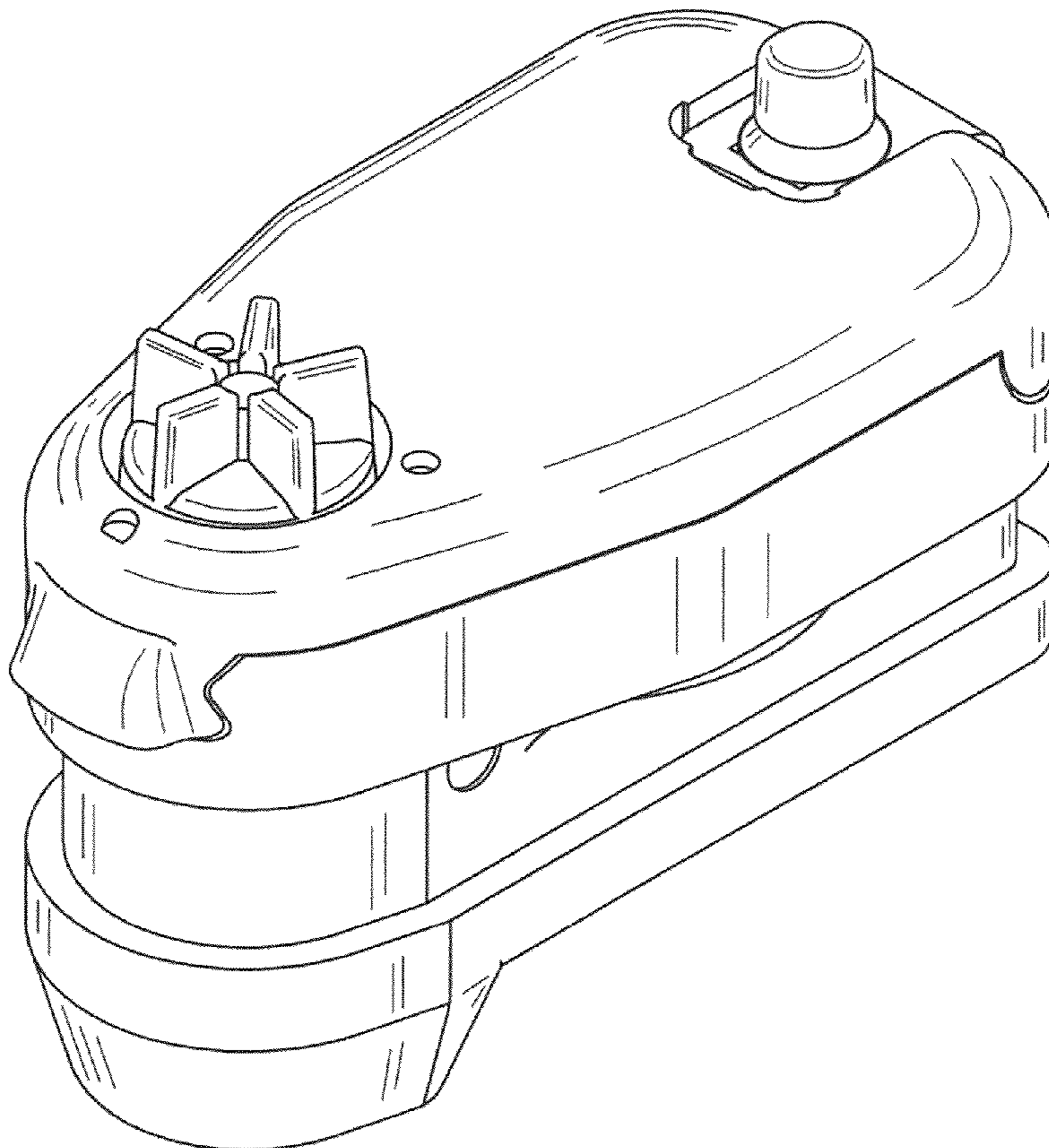
(57) **CLAIM**  
The ornamental design for an electronic in-ear device, as shown and described.

**DESCRIPTION**

FIG. 1 is a perspective view of an electronic in-ear device, showing the top, front, and right sides of my design; FIG. 2 is a perspective view of the same device, showing the bottom, rear, and left sides. FIG. 3 is a front elevation view of FIG. 1; FIG. 4 is a rear elevation view of FIG. 1; FIG. 5 is a right side elevation view of FIG. 1; FIG. 6 is a left side elevation view of FIG. 1; FIG. 7 is a top plan view of FIG. 1; and, FIG. 8 is a bottom plan view of FIG. 1.

**1 Claim, 8 Drawing Sheets**

- (56) **References Cited**  
U.S. PATENT DOCUMENTS  
D206,162 S \* 11/1966 Wayzata ..... D24/174  
D367,113 S \* 2/1996 Weeks ..... D24/174



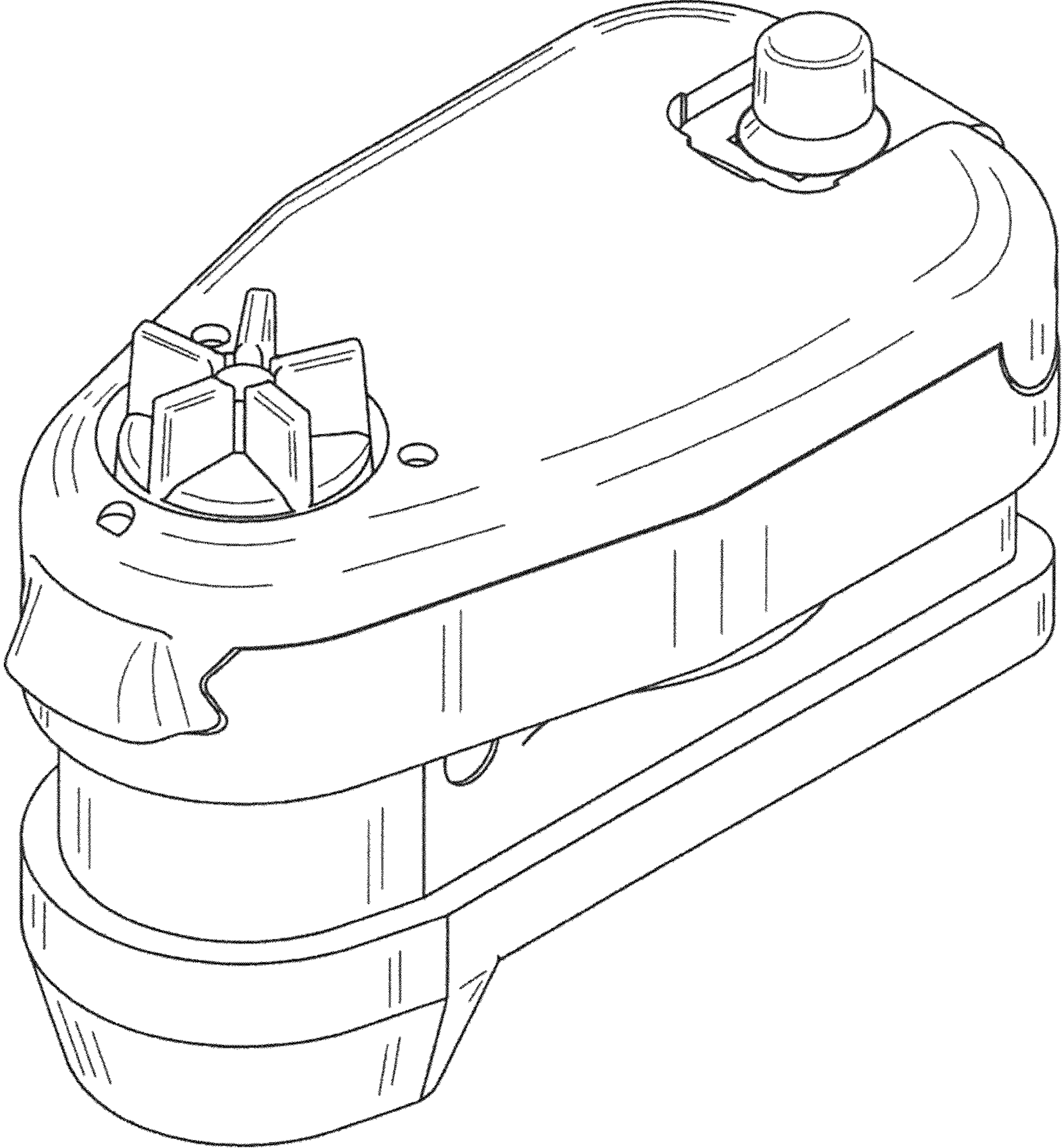


FIG. 1

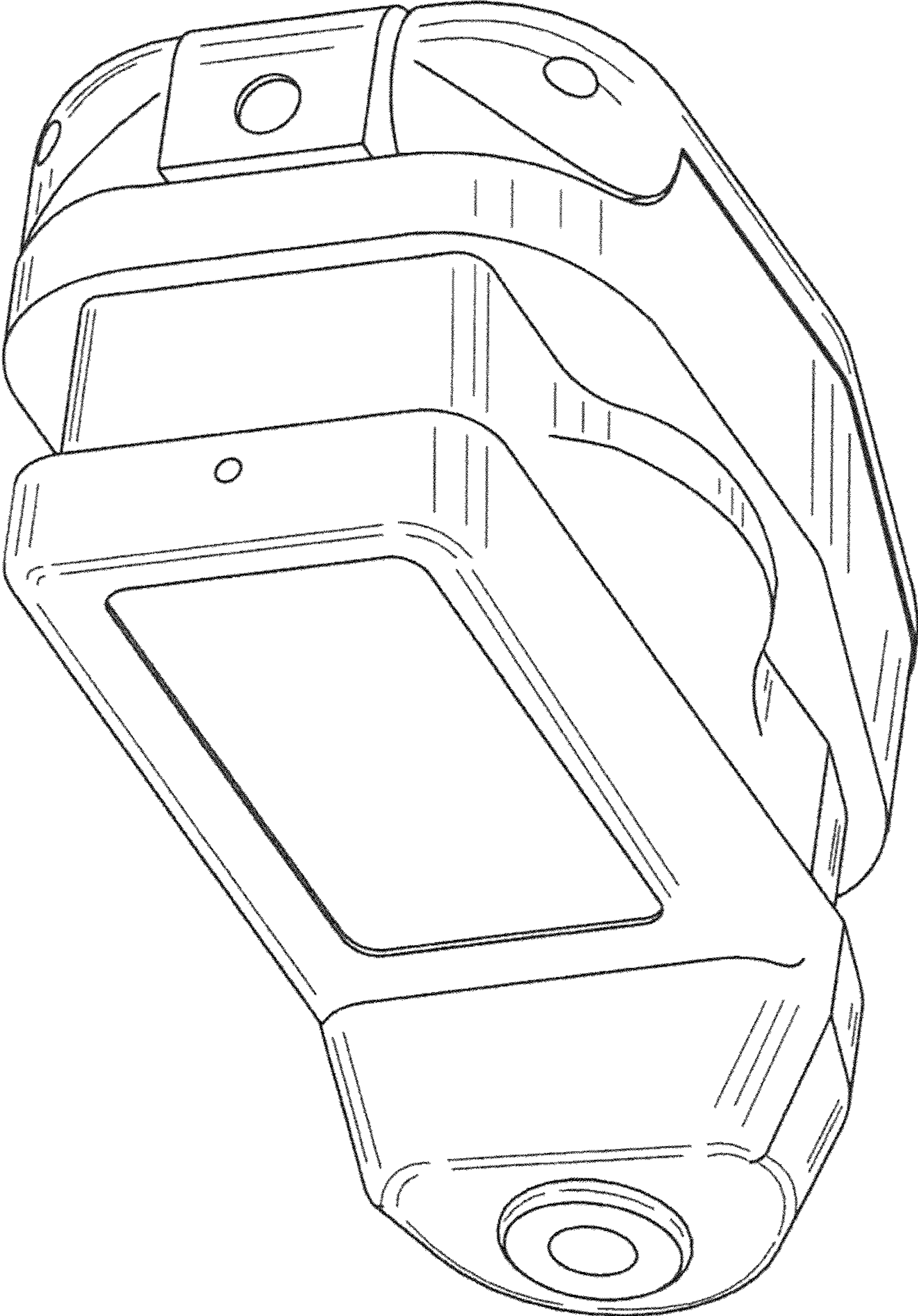


FIG. 2

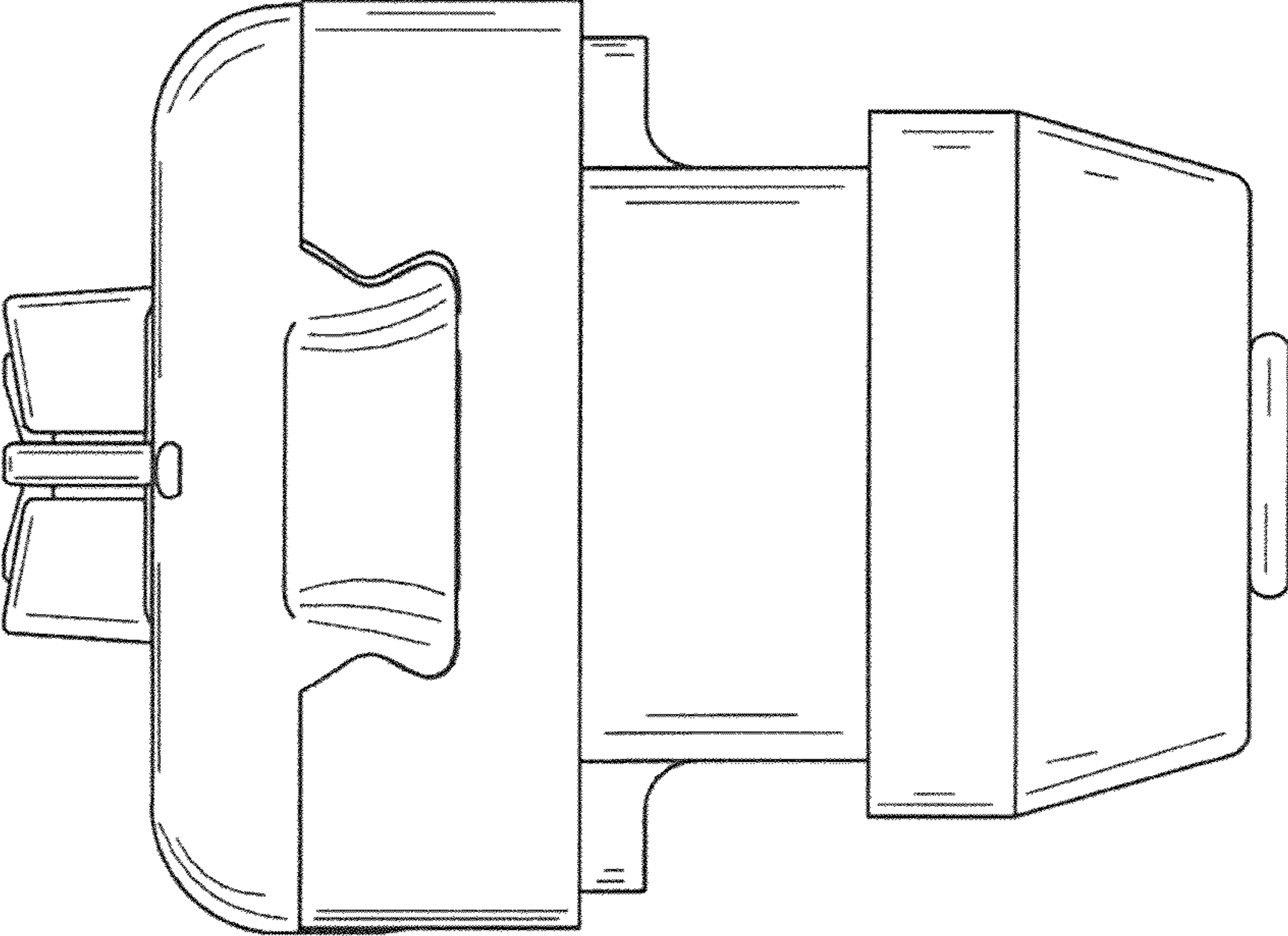


FIG. 3

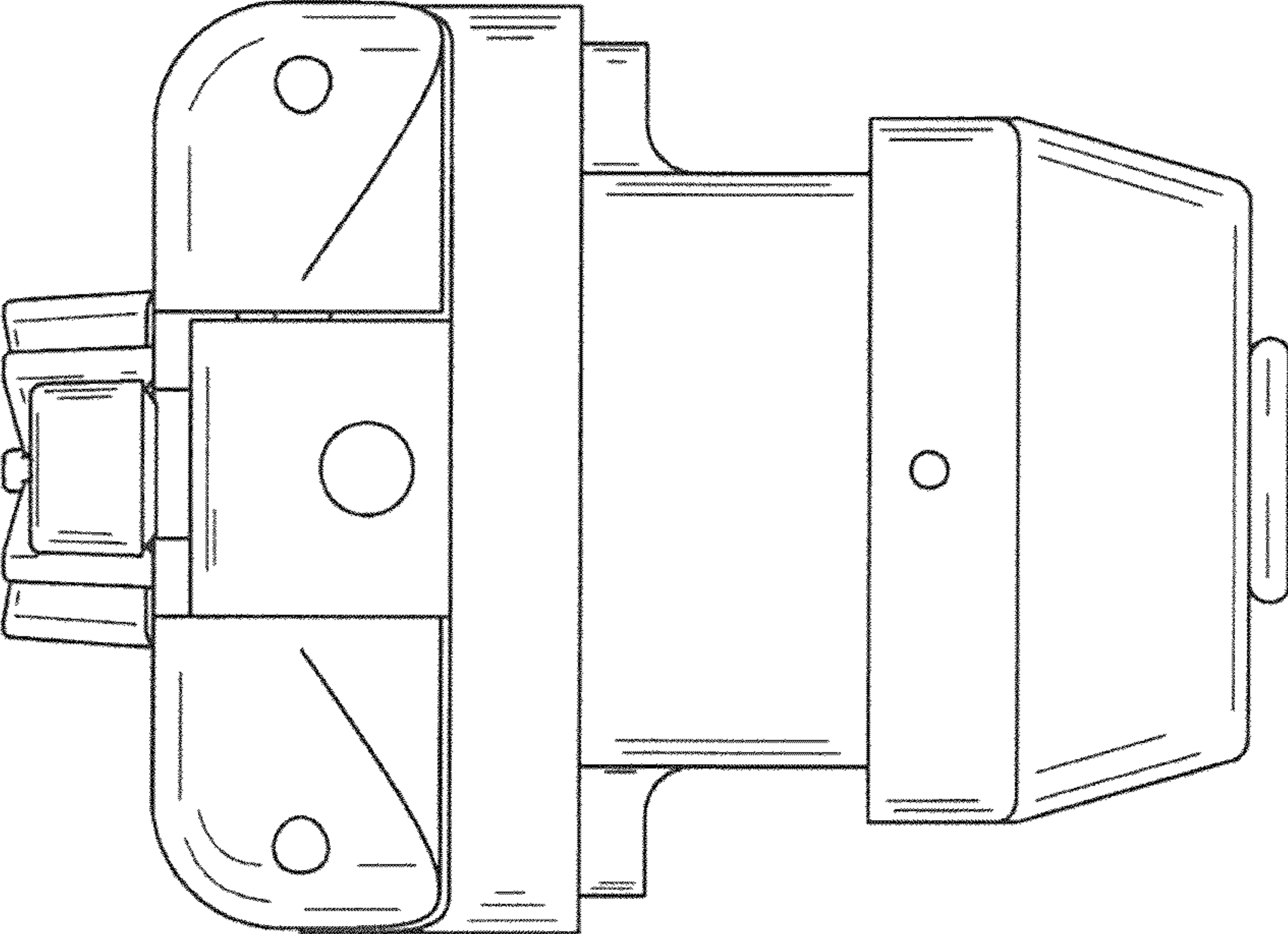


FIG. 4

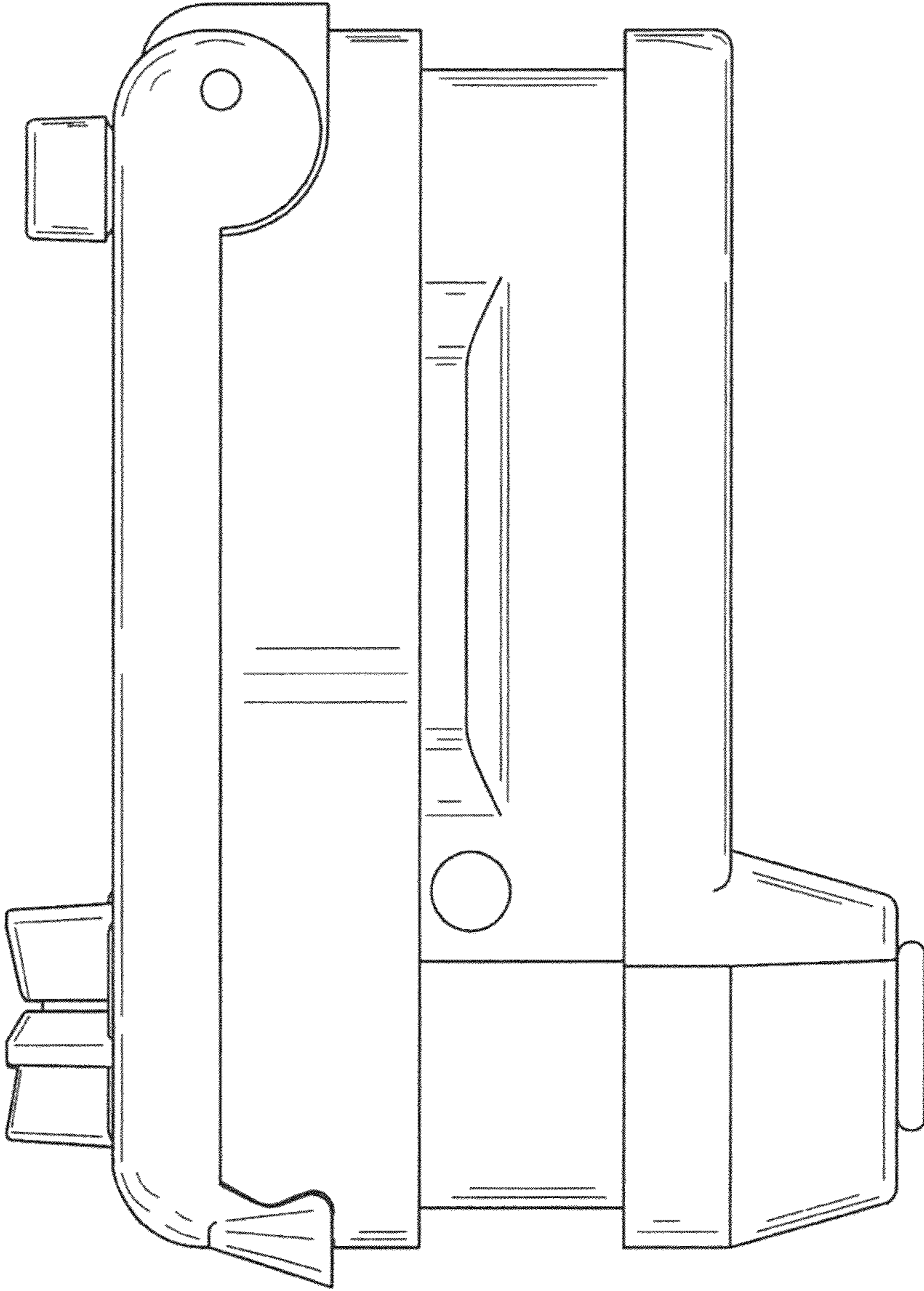


FIG. 5

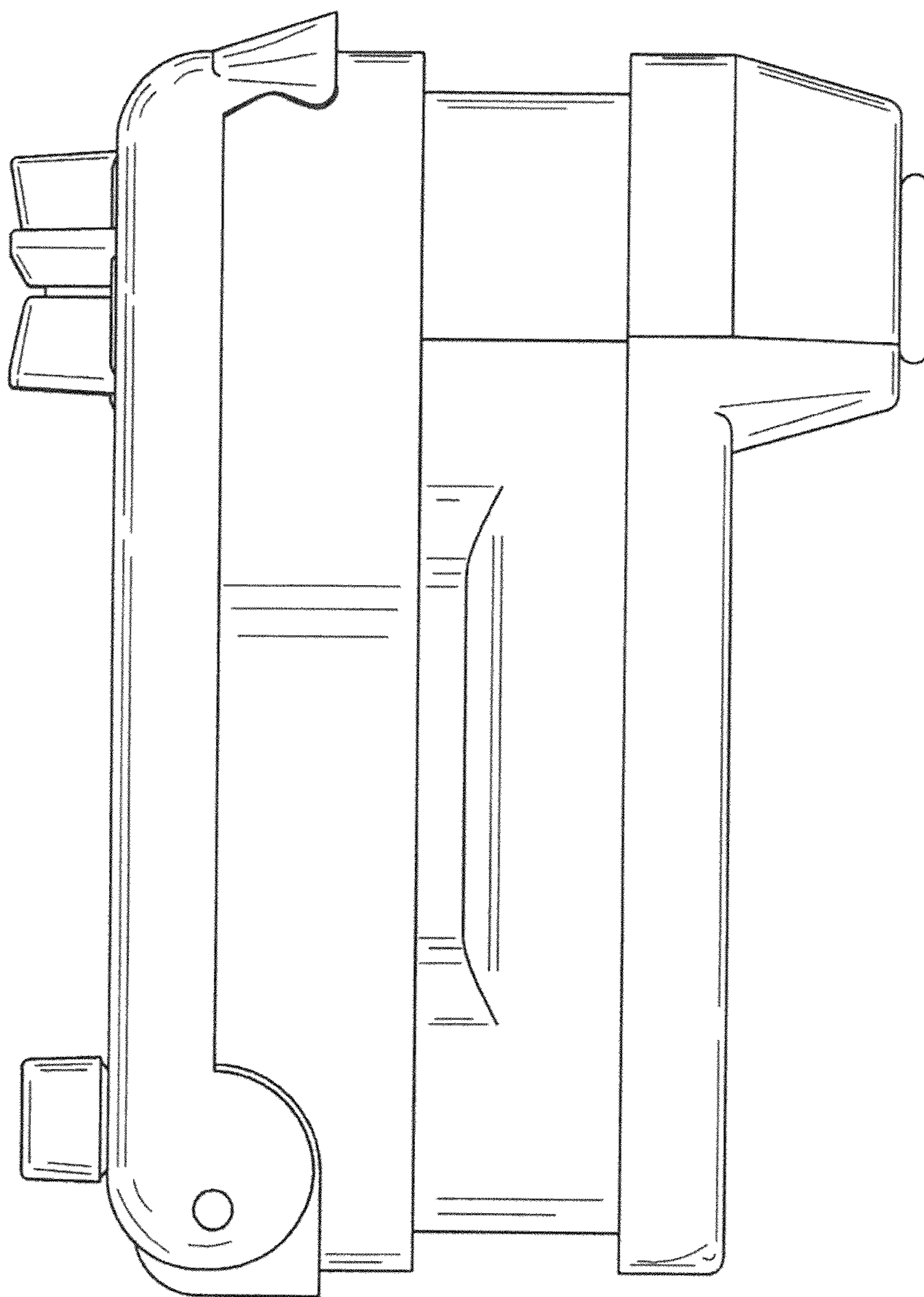


FIG. 6

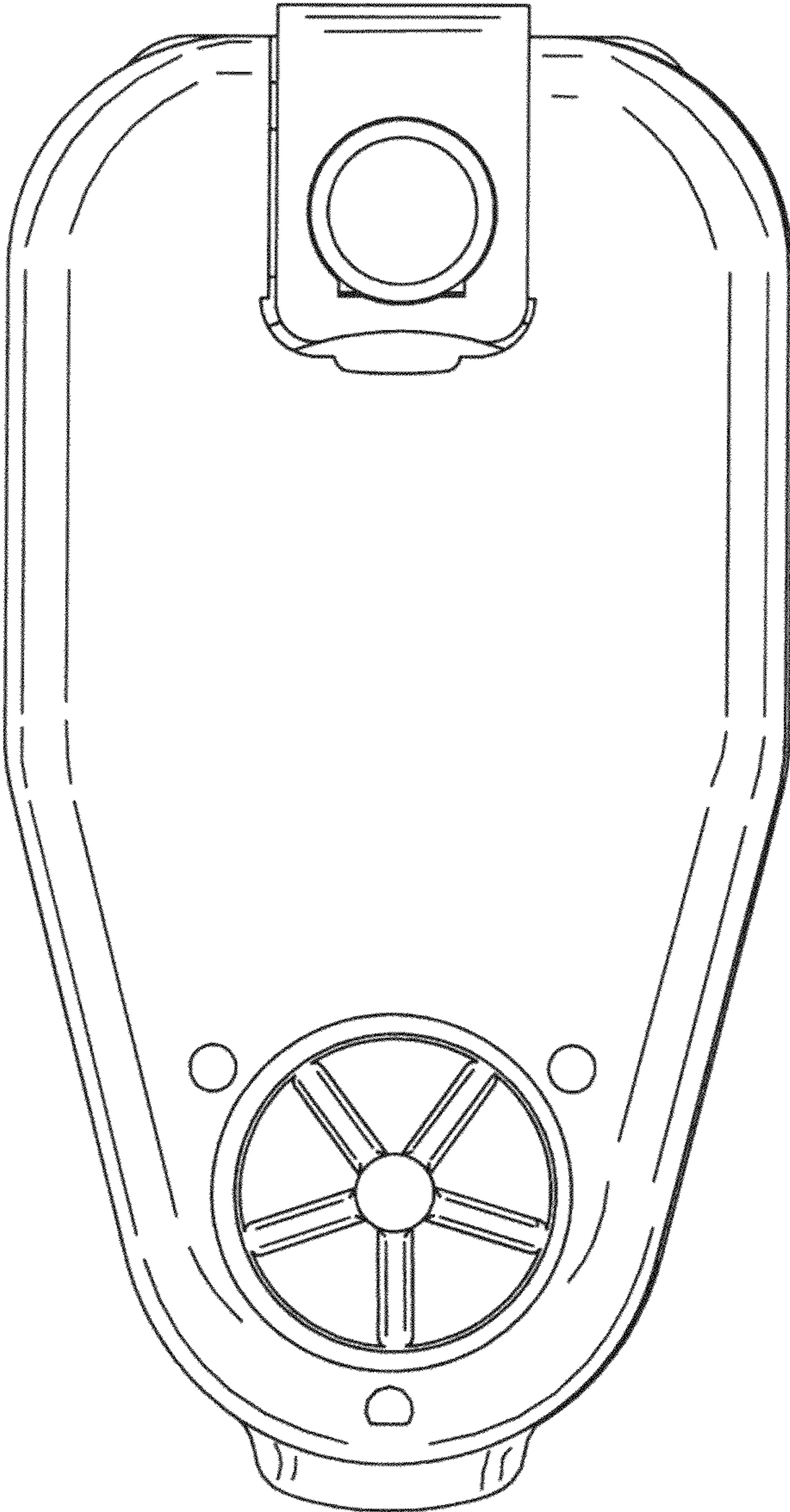


FIG.7



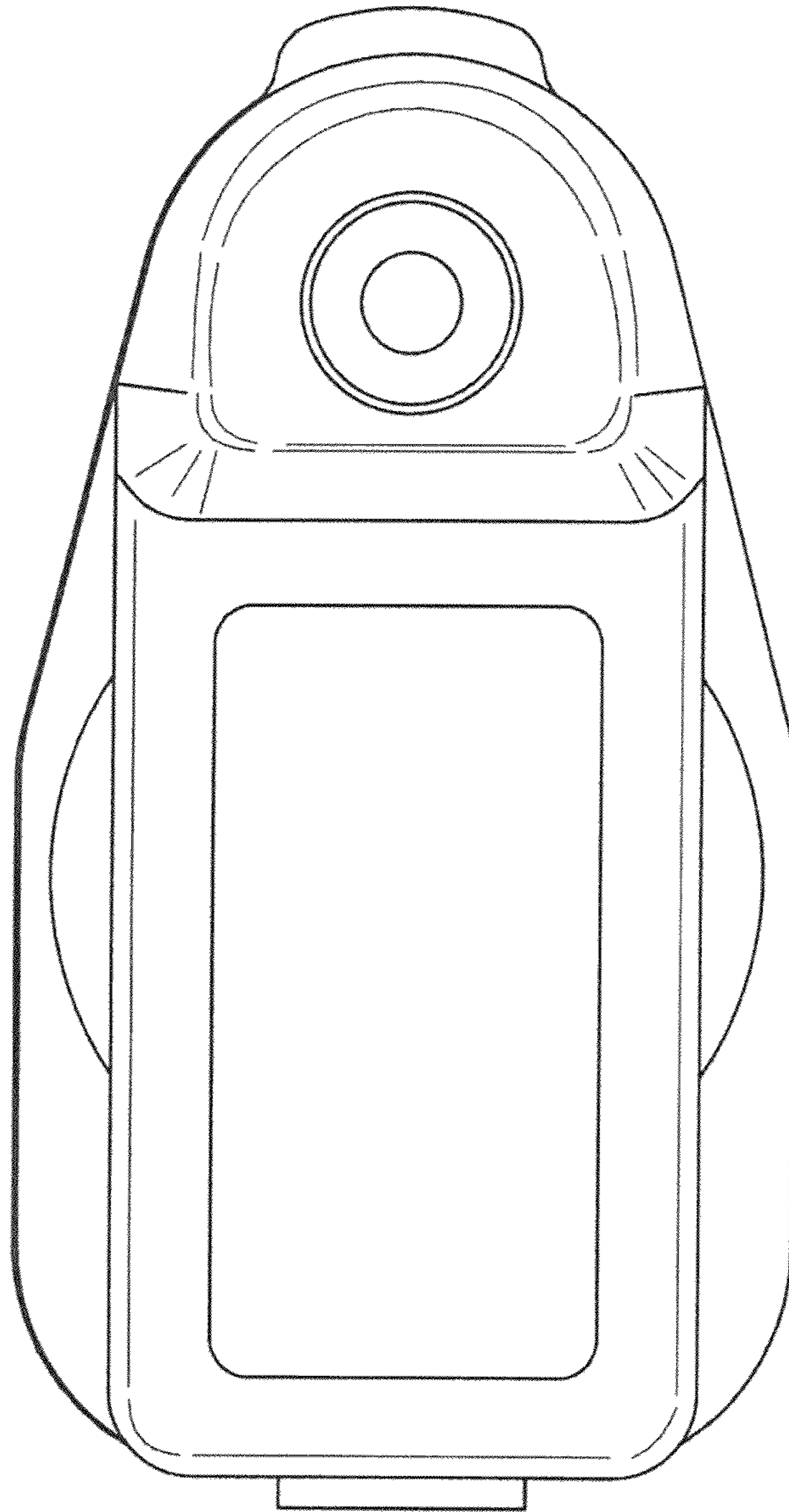


FIG. 8