

US00D739943S

(12) **United States Design Patent**
Pernu et al.

(10) **Patent No.:** **US D739,943 S**

(45) **Date of Patent:** **** Sep. 29, 2015**

(54) **HEART RATE BELT**

(71) Applicant: **Suunto Oy**, Vantaa (FI)

(72) Inventors: **Kimmo Pernu**, Espoo (FI); **Tapio Selby**,
Tolkkinen (FI); **Timo Yliluoma**, Helsinki
(FI); **Ossi Lehtinen**, Espoo (FI)

(73) Assignee: **Suunto Oy**, Vantaa (FI)

(**) Term: **14 Years**

(21) Appl. No.: **29/495,627**

(22) Filed: **Jul. 2, 2014**

(51) **LOC (10) Cl.** **24-01**

(52) **U.S. Cl.**
USPC **D24/167**

(58) **Field of Classification Search**
USPC D24/165–168, 186, 187, 107; D10/70,
D10/98, 30–32, 38; 600/301, 382–384, 386,
600/390, 483, 500–503, 508, 509, 513;
128/DIG. 15; D11/4, 5
CPC A61B 5/6803; A61B 5/681; A61B 5/6824;
A61B 5/6825; A61B 5/024; A61B 5/02405;
A61B 5/02438

See application file for complete search history.

(56) **References Cited**

U.S. PATENT DOCUMENTS

7,310,549	B1 *	12/2007	Angelini et al.	600/509
D597,676	S *	8/2009	Copeland et al.	D24/187
D603,521	S *	11/2009	Lindberg et al.	D24/187
D667,127	S *	9/2012	Lindberg et al.	D24/187
D676,137	S *	2/2013	Lindberg et al.	D24/187
D725,276	S *	3/2015	Fitzsimons et al.	D24/167
2011/0275915	A1 *	11/2011	Allgeyer	600/324
2013/0144181	A1 *	6/2013	Fogt et al.	600/521
2014/0336493	A1 *	11/2014	Kulach et al.	600/390

* cited by examiner

Primary Examiner — Anhdao Doan

(74) *Attorney, Agent, or Firm* — Terence P. O'Brien

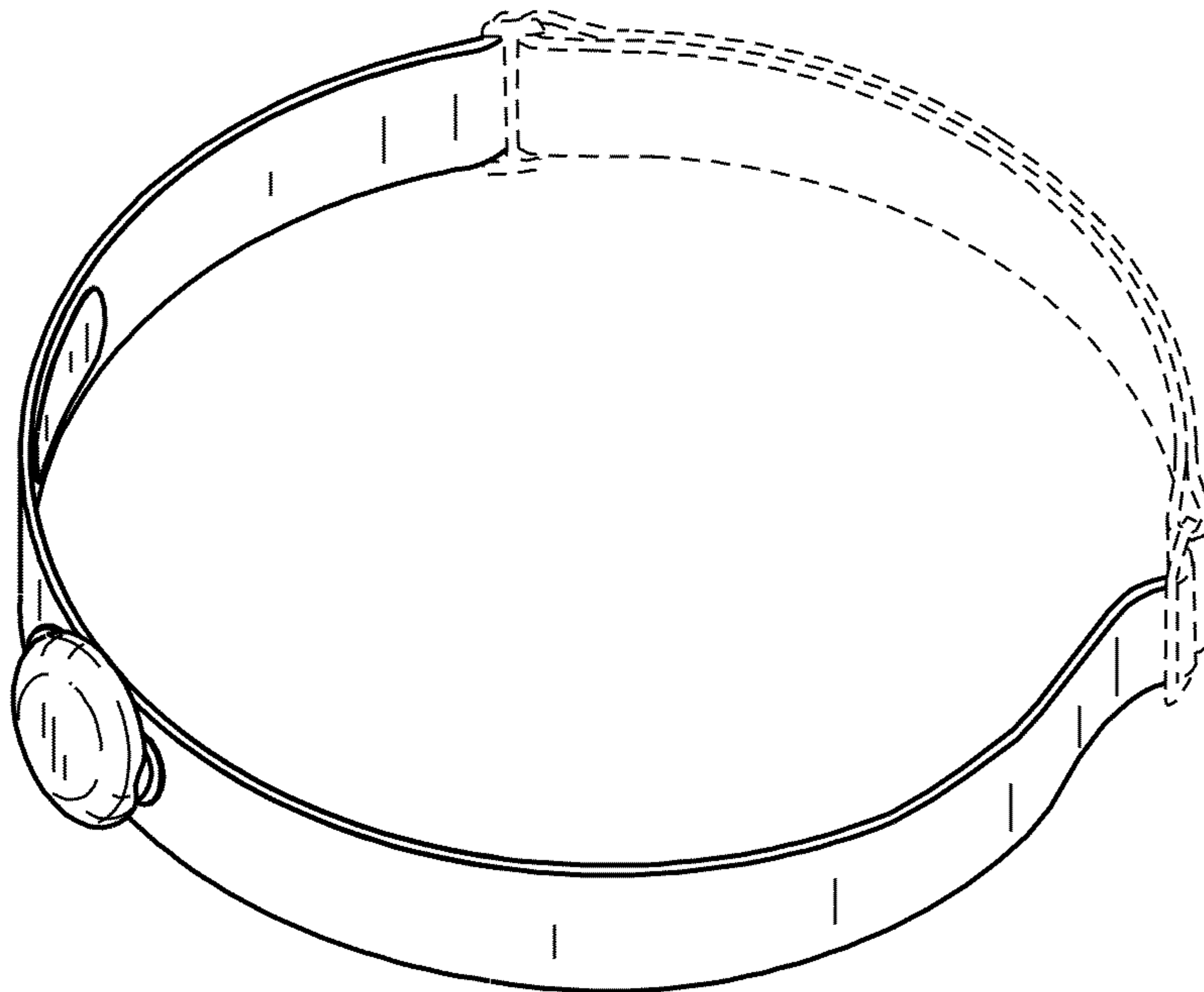
(57) **CLAIM**

We claim the ornamental design for a heart rate belt, as shown and described.

DESCRIPTION

FIG. 1 is a top perspective view of a heart rate belt;
FIG. 2 is a second top perspective view of the heart rate belt of FIG. 1;
FIG. 3 is a first side view of the heart rate belt of FIG. 1; and,
FIG. 4 is a top view of the heart rate belt of FIG. 1.
The broken lines in the drawings are included for the purpose of illustrating portions of the heart rate belt that form no part of the claimed design.

1 Claim, 2 Drawing Sheets



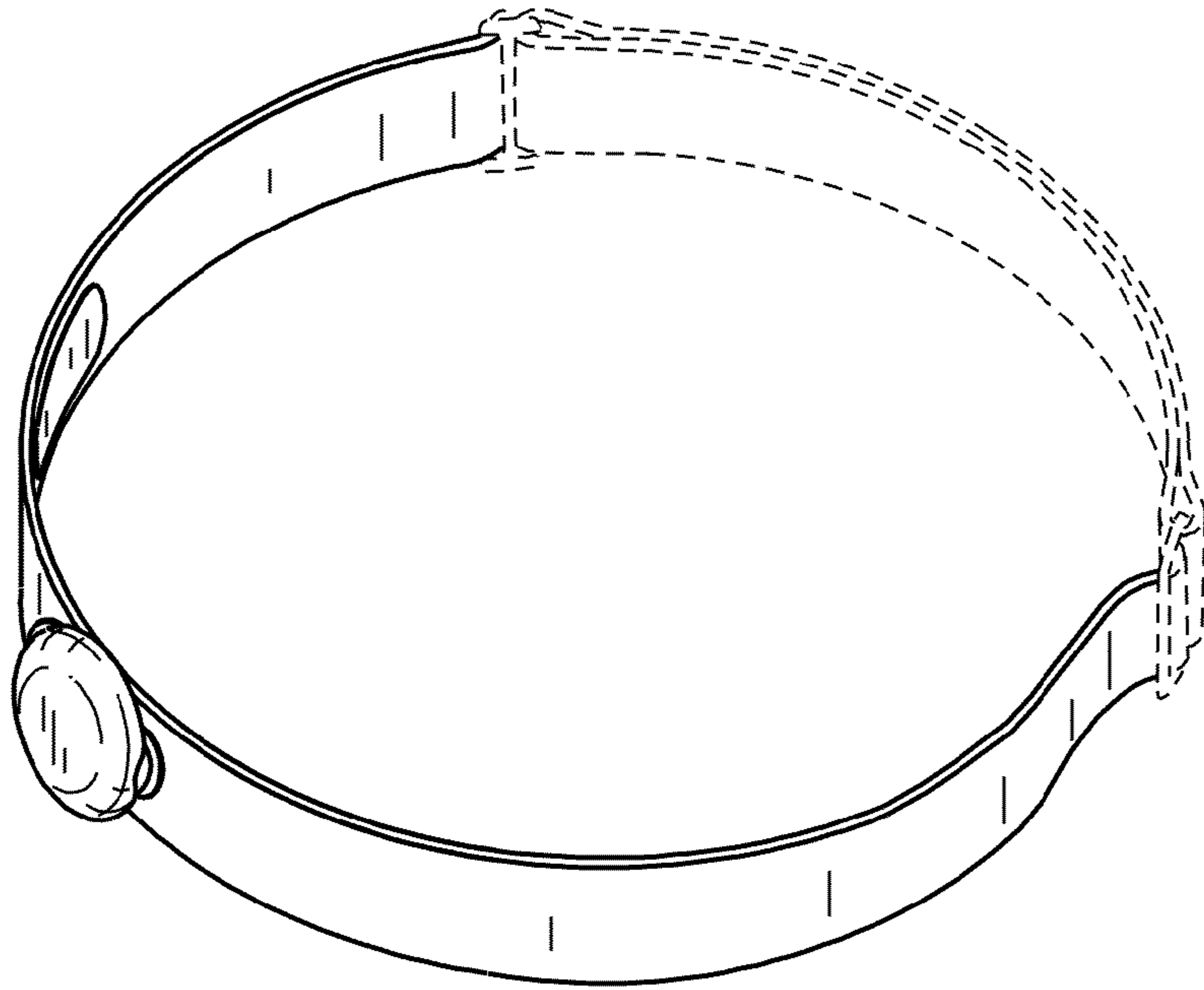


FIG. 1

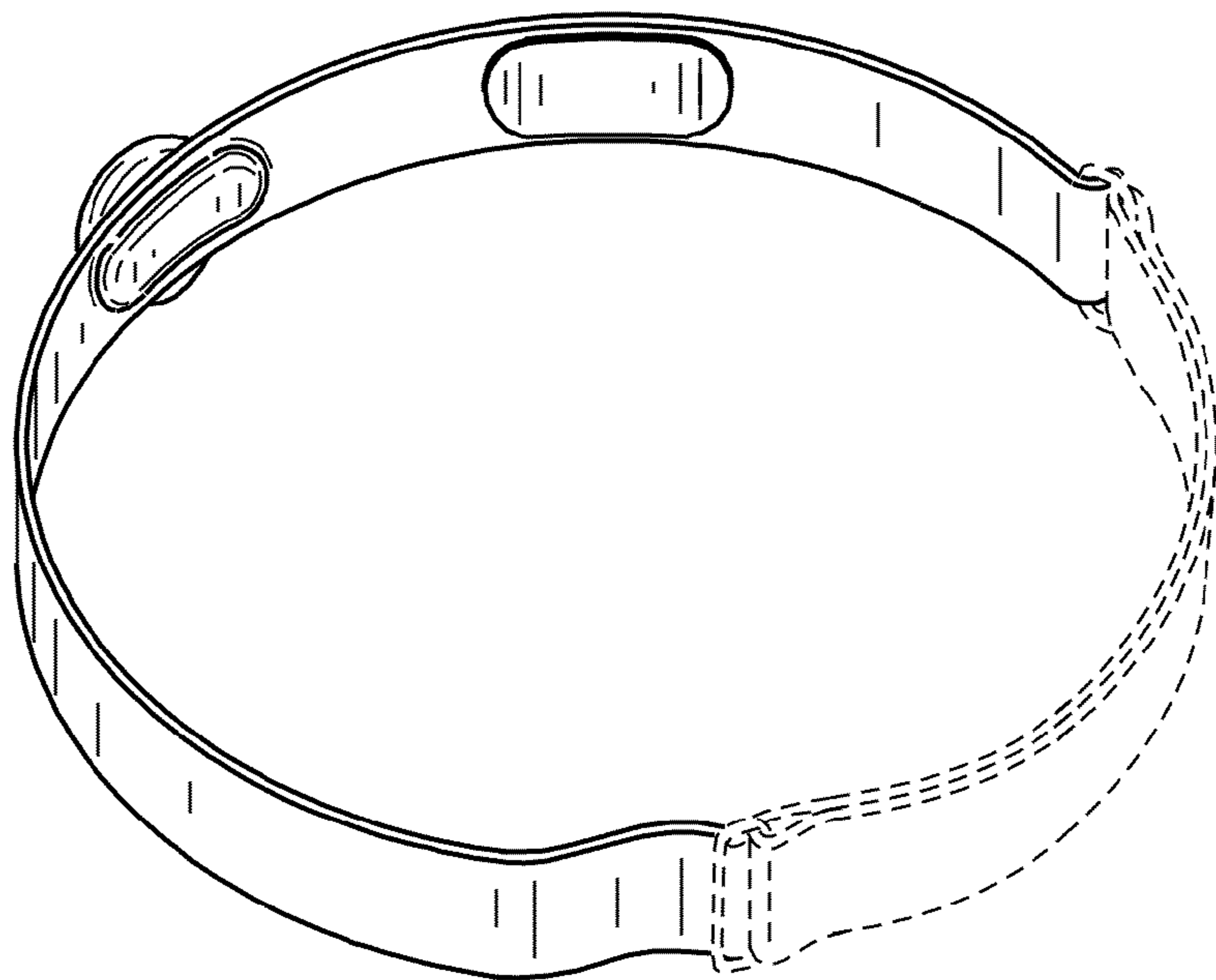


FIG. 2

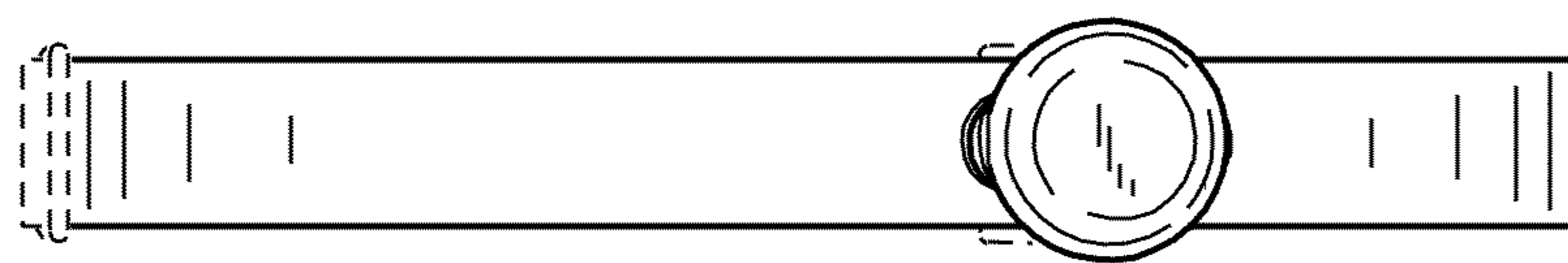


FIG. 3



FIG. 4